



US00D603504S

(12) **United States Design Patent**  
**Kriska et al.**

(10) **Patent No.:** **US D603,504 S**  
(45) **Date of Patent:** **\*\* Nov. 3, 2009**

(54) **CERVICAL PLATE**

(75) Inventors: **Nickolas G. Kriska**, Canton, OH (US);  
**Richard N. Barros, II**, Cuyahoga Falls,  
OH (US); **Brian Edward Hockett**,  
Parma, OH (US)

(73) Assignee: **Theken Spine, LLC**, Akron, OH (US)

(\*\*) Term: **14 Years**

(21) Appl. No.: **29/320,798**

(22) Filed: **Jul. 3, 2008**

(51) **LOC (9) Cl.** ..... **24-03**

(52) **U.S. Cl.** ..... **D24/155**

(58) **Field of Classification Search** ..... D24/155–157;  
606/60, 61, 73, 95, 213, 281, 292, 70, 71,  
606/76, 246, 248, 249, 247, 280, 283, 272;  
623/17.11, 17.12, 17.13, 17.14, 17.15, 17.16,  
623/23.61, 23.56, 247, 213, 286; D15/143,  
D15/139; D8/382, 394

See application file for complete search history.

(56) **References Cited**

**U.S. PATENT DOCUMENTS**

4,488,543 A	12/1984	Tornier	
4,503,848 A *	3/1985	Caspar et al.	606/280
5,053,036 A	10/1991	Perren et al.	
5,147,361 A	9/1992	Ojima et al.	
5,151,103 A	9/1992	Tepic et al.	
5,209,751 A	5/1993	Farris et al.	
5,304,210 A	4/1994	Crook	
5,344,421 A	9/1994	Crook	
5,364,398 A *	11/1994	Chapman et al.	606/71
5,364,399 A	11/1994	Lowery et al.	
5,470,333 A	11/1995	Ray	
5,474,553 A	12/1995	Baumgart	
5,549,612 A	8/1996	Yapp et al.	
5,616,144 A	4/1997	Yapp et al.	
5,676,666 A	10/1997	Oxland et al.	
5,681,311 A	10/1997	Foley et al.	

5,681,313 A *	10/1997	Diez	606/70
5,709,686 A	1/1998	Talos et al.	
5,876,402 A	3/1999	Errico et al.	
5,931,838 A	8/1999	Vito	
5,951,558 A	9/1999	Fiz	
5,954,722 A	9/1999	Bono	
6,129,730 A	10/2000	Bono et al.	
6,139,550 A	10/2000	Michelson	
6,152,927 A	11/2000	Farris et al.	
6,159,213 A	12/2000	Rogozinski	
6,193,721 B1	2/2001	Michelson	
6,206,882 B1 *	3/2001	Cohen	606/283
D440,311 S	4/2001	Michelson	

(Continued)

**OTHER PUBLICATIONS**

Medtronic Sofamor Danek. Spinal Technologies Atlantis [online],  
[published on Jun. 27, 2002], [retrieved on Aug. 7, 2008]. Retrieved  
from the Internet <<http://www.sofamordanek.com/patient-spinal-atlantis.html>>.

(Continued)

*Primary Examiner*—Charles A Rademaker  
(74) *Attorney, Agent, or Firm*—Middleton Reutlinger; Robert  
H. Eichenberger; Scott W. Higdon

(57) **CLAIM**

The ornamental design for a cervical plate, as shown and  
described.

**DESCRIPTION**

FIG. 1 is a top perspective view of a cervical plate showing  
our new design;

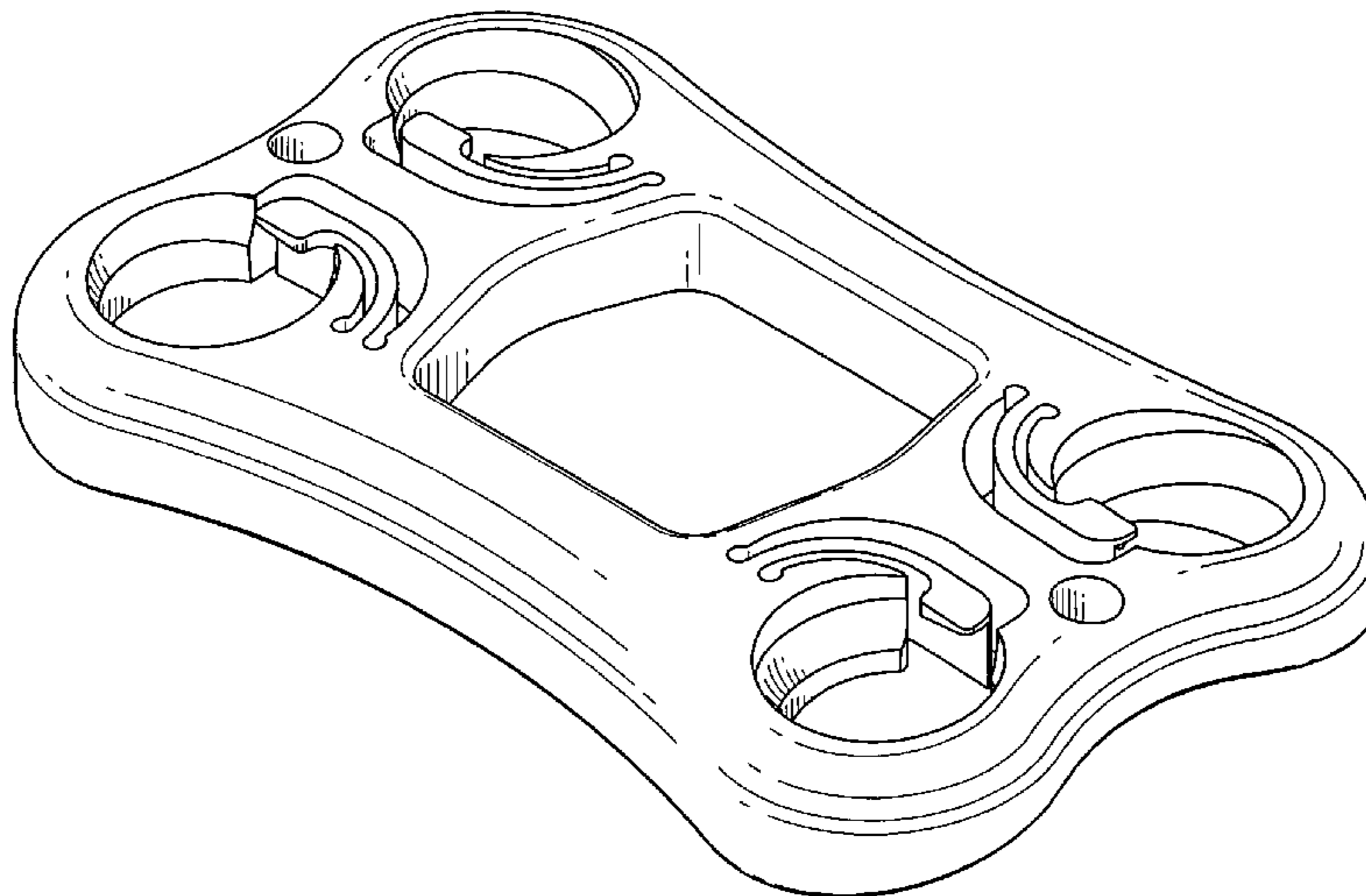
FIG. 2 is a top plan view thereof;

FIG. 3 is a right side elevation thereof, the side opposite being  
a mirror image;

FIG. 4 is a rear elevation thereof, the end opposite being a  
mirror image; and,

FIG. 5 is a bottom plan view thereof.

**1 Claim, 5 Drawing Sheets**



U.S. PATENT DOCUMENTS

6,224,602 B1 5/2001 Hayes  
 6,228,085 B1 5/2001 Theken et al.  
 6,235,033 B1 5/2001 Brace et al.  
 6,235,034 B1 5/2001 Bray  
 6,258,089 B1 7/2001 Campbell et al.  
 6,273,889 B1 8/2001 Richelsoph  
 6,290,703 B1 9/2001 Ganem  
 D449,692 S \* 10/2001 Michelson ..... D24/155  
 6,306,139 B1 10/2001 Fuentes  
 6,309,393 B1 10/2001 Tepic et al.  
 6,342,055 B1 1/2002 Eisermann et al.  
 6,361,537 B1 3/2002 Anderson  
 6,383,186 B1 5/2002 Michelson  
 6,398,783 B1 6/2002 Michelson  
 6,402,756 B1 6/2002 Ralph et al.  
 6,413,259 B1 7/2002 Lyons et al.  
 6,416,528 B1 7/2002 Michelson  
 6,428,542 B1 \* 8/2002 Michelson ..... 606/70  
 6,454,769 B2 9/2002 Wagner et al.  
 6,454,771 B1 9/2002 Michelson  
 6,458,133 B1 10/2002 Lin  
 6,527,776 B1 3/2003 Michelson  
 6,533,786 B1 3/2003 Needham et al.  
 6,575,975 B2 6/2003 Brace et al.  
 6,592,586 B1 7/2003 Michelson  
 6,599,290 B2 7/2003 Bailey et al.  
 6,602,255 B1 8/2003 Campbell et al.  
 6,602,256 B1 8/2003 Hayes  
 6,602,257 B1 8/2003 Thramann  
 6,605,090 B1 8/2003 Trieu et al.  
 6,613,053 B1 9/2003 Collins et al.  
 6,620,163 B1 9/2003 Michelson  
 6,626,907 B2 9/2003 Campbell et al.  
 6,652,525 B1 \* 11/2003 Assaker et al. .... 606/70  
 6,669,700 B1 12/2003 Farris et al.  
 6,695,846 B2 2/2004 Richelsoph et al.  
 D505,205 S \* 5/2005 Freid ..... D24/155  
 6,890,334 B2 5/2005 Brace et al.  
 6,890,335 B2 5/2005 Grabowski et al.  
 6,916,320 B2 7/2005 Michelson  
 6,926,718 B1 8/2005 Michelson  
 6,936,050 B2 8/2005 Michelson  
 6,936,051 B2 \* 8/2005 Michelson ..... 606/71  
 6,945,973 B2 \* 9/2005 Bray ..... 606/71  
 6,964,664 B2 11/2005 Freid et al.  
 6,969,390 B2 11/2005 Michelson  
 7,001,387 B2 2/2006 Farris  
 7,001,389 B1 \* 2/2006 Navarro et al. .... 606/71  
 7,048,739 B2 5/2006 Konieczynski  
 7,074,221 B2 7/2006 Michelson  
 7,077,844 B2 7/2006 Michelson  
 7,112,202 B2 9/2006 Michelson  
 7,118,573 B2 10/2006 Michelson  
 7,137,984 B2 11/2006 Michelson  
 7,163,561 B2 1/2007 Michelson  
 7,169,150 B2 1/2007 Shipp et al.  
 7,186,256 B2 \* 3/2007 Michelson ..... 606/71  
 7,220,263 B2 \* 5/2007 Cordaro ..... 606/70  
 7,229,442 B2 \* 6/2007 Schafer ..... 606/272  
 7,303,564 B2 12/2007 Freid et al.  
 7,306,605 B2 \* 12/2007 Ross ..... 606/70  
 7,318,825 B2 \* 1/2008 Butler et al. .... 606/71  
 7,322,984 B2 \* 1/2008 Doubler et al. .... 606/70  
 7,438,715 B2 \* 10/2008 Doubler et al. .... 606/71  
 7,488,321 B2 \* 2/2009 Lin ..... 606/71  
 7,491,209 B2 2/2009 Mueller et al.  
 2001/0037112 A1 11/2001 Brace  
 2002/0045898 A1 4/2002 Freid  
 2002/0058939 A1 5/2002 Wagner et al.  
 2002/0120273 A1 8/2002 Needham et al.  
 2002/0151899 A1 10/2002 Bailey

2002/0183754 A1 12/2002 Michelson  
 2003/0045880 A1 3/2003 Michelson  
 2003/0181912 A1 9/2003 Michelson  
 2003/0199876 A1 10/2003 Brace  
 2003/0208204 A1 11/2003 Bailey et al.  
 2003/0225409 A1 12/2003 Freid  
 2004/0097935 A1 5/2004 Richelsoph et al.  
 2004/0158246 A1 8/2004 Assaker et al.  
 2004/0181226 A1 9/2004 Michelson  
 2004/0220572 A1 11/2004 Michelson  
 2004/0236334 A1 11/2004 Michelson  
 2005/0038436 A1 2/2005 Michelson  
 2005/0085812 A1 4/2005 Sherman et al.  
 2005/0187552 A1 8/2005 Michelson  
 2006/0276795 A1 \* 12/2006 Orbay et al. .... 606/71

OTHER PUBLICATIONS

Stryker Corporation. Stryker Reflex Hybrid ACP Implant [online], [retrieved on Aug. 7, 2008]. Retrieved from the internet <<http://www.stryker.com/en-us/products/Spine/Cervical/ReflexHybridACP/index.htm>>.  
 Medscape. CSLP Small Stature technology [online], [retrieved Aug. 7, 2008]. Retrieved from the internet <<http://www.medscape.com/content/2002/00/42/49/424941/art-nf424941.fig3.jpg>>.  
 Synthes. Vectra-T [online], [retrieved on Aug. 7, 2008]. Retrieved from the internet <<http://www.synthes.com/html/Vectra-T.6894.0.html>>.  
 Blackstone Medical, Inc. 3° Anterior Cervical Plate System [online], [retrieved on Aug. 7, 2008]. Retrieved from the internet <<http://www.blackstonemedical.com/3degree.php>>.  
 NuVasive, Inc. NuVasive—Improving Spine Surgery Through the Application of Creative Technologies [online], [retrieved on Aug. 7, 2008]. Retrieved from the internet <<http://www.nuvasive.com/nuv-flash/home/home.swf>>.  
 Alphatec Spine Inc. Deltaloc Anterior Cervical Plating System [online], [retrieved on Aug. 7, 2008]. Retrieved from the internet <<http://www.alphatecspine.com/deltaloc.html>>.  
 DePuy Spine, Inc. Eagle Rigid Anterior Cervical Plate System [online], [retrieved on Aug. 7, 2008]. Retrieved from the internet <<http://www.depuy spine.com/products/cervicaloct/eagle.asp>>.  
 Abbott Laboratories. SC-AcuFix [online], [retrieved on Aug. 7, 2008]. Retrieved from the internet <<http://international.abbottspine.com/index.php?id=79>>.  
 Acuna Fombona. Acuna Fombona [online], Slimline technology, [retrieved on Aug. 7, 2008]. Retrieved from the internet <<http://www.acuna-fombona.com/products/products02.htm>>.  
 Amedica. Valeo CP Cervical Plate System [online], [retrieved on Aug. 7, 2008]. Retrieved from the internet <<http://www.amedicacorp.com/>>.  
 K2M, Inc. Pyrenees Cervical Plate System [online], [retrieved on Aug. 7, 2008]. Retrieved from the internet <<http://www.k2m.com/products/pyreneescervical.cfm>>.  
 Zimmer Spine, Inc. Trinica and Trinica Select Anterior Cervical Plate System [online], [retrieved on Aug. 7, 2008]. Retrieved from the internet <<http://www.zimmer.com/web/enUS/pdf/Trinica.pdf>>.  
 Medscape. Orion technology, [online], [retrieved on Aug. 7, 2008]. Retrieved from the internet <[www.medscape.com/content/2004/00/46/84/468466/art-nf468466.fig9.jpg](http://www.medscape.com/content/2004/00/46/84/468466/art-nf468466.fig9.jpg)>.  
 Biomet, Inc. C-Tek Anterior Cervical Plate [online], [retrieved on Aug. 7, 2008]. Retrieved from the internet <<http://www.biomet.com/spine/products.cfm?pdid=3&majcid=13&prodid=126>>.  
 X-Spine Systems, Inc. Spider Cervical Plating System [online], [retrieved on Aug. 7, 2008]. Retrieved from the internet <<http://www.x-spine.com/Products/spider.htm>>.  
 Medtronic Sofamor Danek. Spinal Technologies Zephir [online], [published on Mar. 25, 2002], [retrieved on Aug. 7, 2008]. Retrieved from the internet <<http://www.sofamordanek.com/patient-spinal-zephir.html>>.  
 Synthes. CSLP-Cervical Spine Locking Plate [online], [retrieved on Aug. 7, 2008]. Retrieved from the internet <[http://www.synthes.com/html/fileadmin/Shared/shop/Printed\\_Materials/Techique\\_Guide/Spine\\_2007\\_08/036.000.062.pdf](http://www.synthes.com/html/fileadmin/Shared/shop/Printed_Materials/Techique_Guide/Spine_2007_08/036.000.062.pdf)>.

DePuy Spine, Inc. Slim Loc Anterior Cervical Plate System [online], [retrieved on Aug. 7, 2008]. Retrieved from the internet <<http://www.depuyspine.com/products/cervicaloct/slimloc.asp>>.

Pioneer Surgical Technology, Inc. Pioneer Anterior Cervical Plate [online], [retrieved on Aug. 7, 2008]. Retrieved from the internet <[http://www.pioneersurgical.com/products\\_spine\\_acp.asp?](http://www.pioneersurgical.com/products_spine_acp.asp?)>.

Biomet, Inc. Cyprus Anterior Cervical Plate System [online], [retrieved on Aug. 8, 2008]. Retrieved from the internet <<http://www.biomet.com/templates/btbs/pdf/cyprus.pdf>>.

Alphatec Spine, Inc. Trestle Anterior Cervical Plating System [online], [retrieved on Aug. 7, 2008]. Retrieved from the internet <<http://www.alphatecspine.com/trestle.html>>.

Medtronic Sofamor Danek. Spinal Technologies Atlantis Vision [online], [published on Sep. 20, 2004], [retrieved on Aug. 7, 2008]. Retrieved from the internet <<http://www.sofamordanek.com/atlantis-vision.html>>.

Synthes. CSLP VA [online], [retrieved on Aug. 7, 2008]. Retrieved from the internet <[http://www.synthes.com/html/fileadmin/Shared/shop/Printed\\_Materials/Techique\\_Guide/Spine\\_2007\\_08/036.000.362.pdf](http://www.synthes.com/html/fileadmin/Shared/shop/Printed_Materials/Techique_Guide/Spine_2007_08/036.000.362.pdf)>.

Synthes. Vectra [online], [retrieved on Aug. 7, 2008]. Retrieved from the internet <<http://www.synthes.com/html/Vectra.6895.0.html>>.

Depuy Spine, Inc. Uniplate Anterior Cervical Plate System [online], [retrieved on Aug. 7, 2008]. Retrieved from the internet <<http://www.depuyspine.com/products/cervicaloct/uniplate.asp>>.

Alphatec Spine Inc. Deltaloc Reveal Anterior Cervical Plating System [online], [retrieved on Aug. 7, 2008]. Retrieved from the internet <<http://www.alphatecspine.com/deltalocreveal.html>>.

Globus Medical. Cervical Products [online], Assure technology, [retrieved on Aug. 7, 2008]. Retrieved from the internet <<http://www.globusmedical.com/products/cervical.php>>.

Blackstone Medical, Inc. Reliant Anterior Cervical Plate System [online], [retrieved on Aug. 7, 2008]. Retrieved from the internet <<http://www.blackstonemedical.com/reliant.php>>.

Depuy Spine, Inc. Swift Dynamic Anterior Cervical Plate System [online], [retrieved on Aug. 7, 2008]. Retrieved from the internet <<http://www.depuyspine.com/products/cervicaloct/swift.asp>>.

Blackstone Medical, Inc. Hallmark Anterior Cervical Plate System [online], [retrieved on Aug. 7, 2008]. Retrieved from the internet <<http://www.blackstonemedical.com/hallmark.php>>.

Biomet, Inc. Cyclops Cervical Plate [online], [retrieved on Aug. 7, 2008]. Retrieved from the internet <<http://www.biomet.com/spine/products.cfm?pdid=3&majcid=13&prodid=174>>.

DePuy Spine, Inc. Skyline Anterior Cervical Plate System [online], [retrieved on Aug. 7, 2008]. Retrieved from the internet <<http://www.depuyspine.com/products/cervicaloct/skyline.asp>>.

Biomet, Inc. SpineLink Anterior Cervical Plate [online], [retrieved on Aug. 7, 2008]. Retrieved from the internet <<http://www.biomet.com/spine/products.cfm?pdid=3&majcid=13&prodid=15>>.

Biomet, Inc. VueLock Anterior Cervical Plate [online], [retrieved on Aug. 7, 2008]. Retrieved from the internet <<http://www.biomet.com/spine/products.cfm?pdid=3&majcid=13&prodid=18>>.

U.S. Appl. No. 29/320,796, filed Jul. 3, 2008, Kriska et al.

U.S. Appl. No. 29/320,799, filed Jul. 3, 2008, Kriska et al.

U.S. Appl. No. 29/320,800, filed Jul. 3, 2008, Kriska et al.

U.S. Appl. No. 29/320,802, filed Jul. 3, 2008, Kriska et al.

U.S. Appl. No. 29/320,803, filed Jul. 3, 2008, Kriska et al.

U.S. Appl. No. 29/320,804, filed Jul. 3, 2008, Kriska et al.

U.S. Appl. No. 29/320,805, filed Jul. 3, 2008, Kriska et al.

U.S. Appl. No. 29/320,806, filed Jul. 3, 2008, Kriska et al.

U.S. Appl. No. 29/320,807, filed Jul. 3, 2008, Kriska et al.

U.S. Appl. No. 29/320,808, filed Jul. 3, 2008, Kriska et al.

U.S. Appl. No. 29/320,809, filed Jul. 3, 2008, Kriska et al.

U.S. Appl. No. 29/320,810, filed Jul. 3, 2008, Kriska et al.

\* cited by examiner

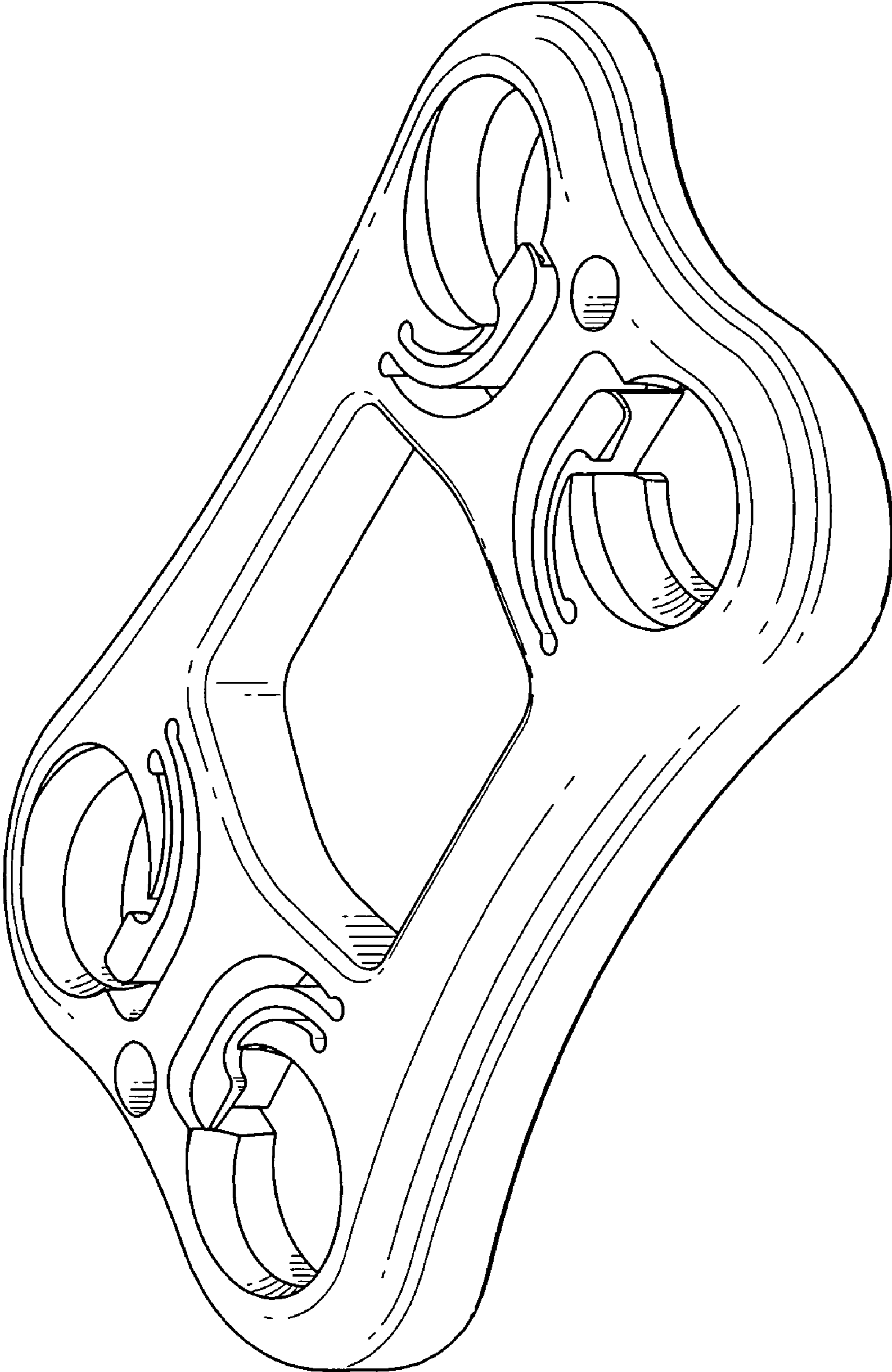


FIG. 1

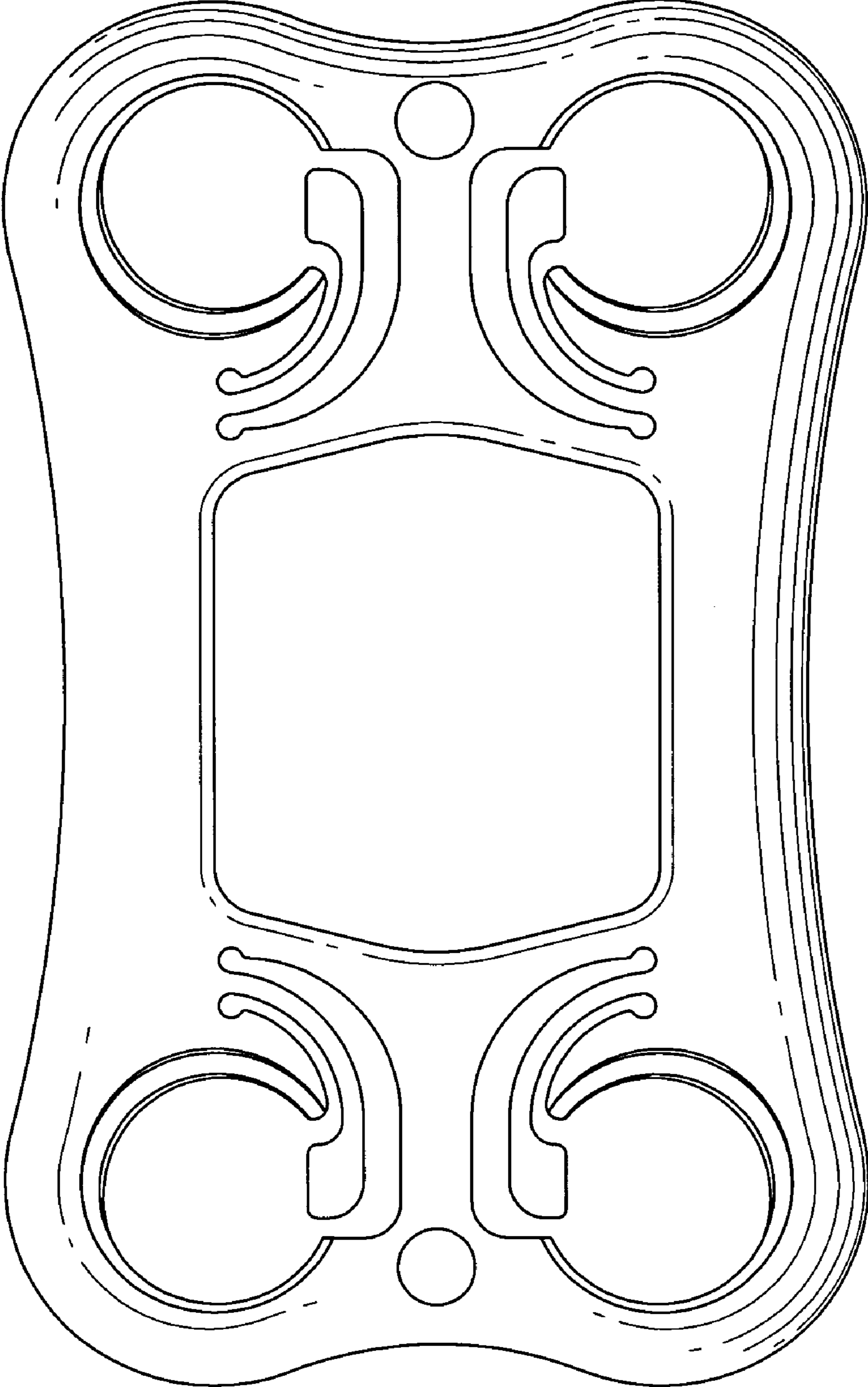


FIG. 2

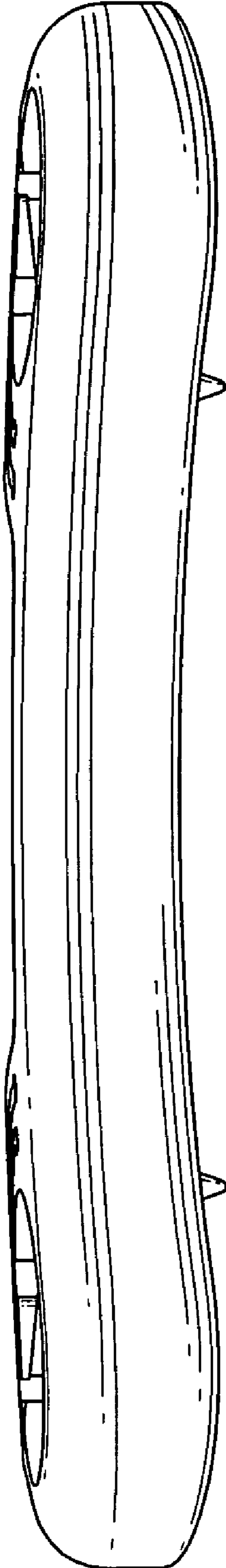


FIG. 3

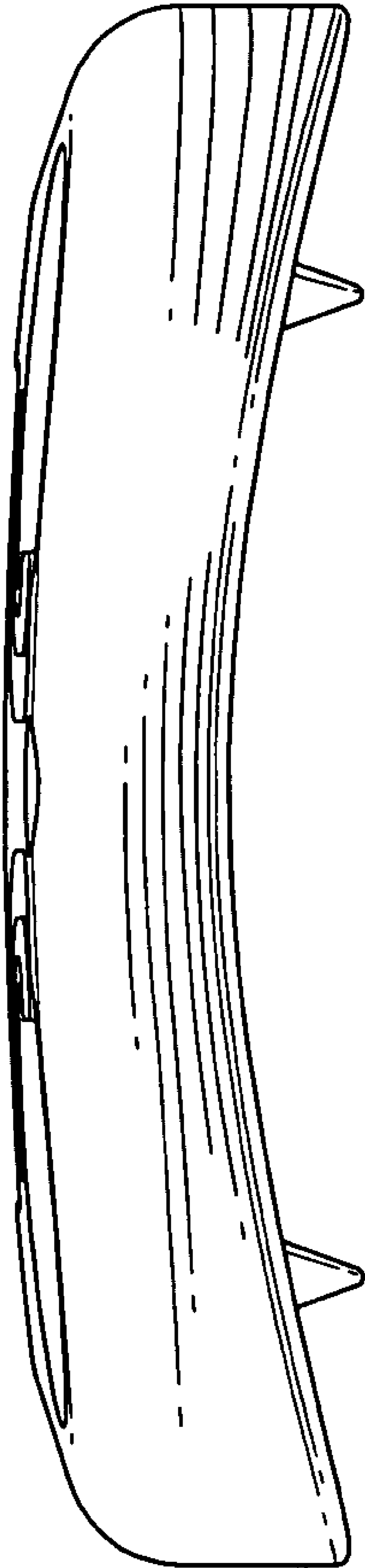


FIG. 4

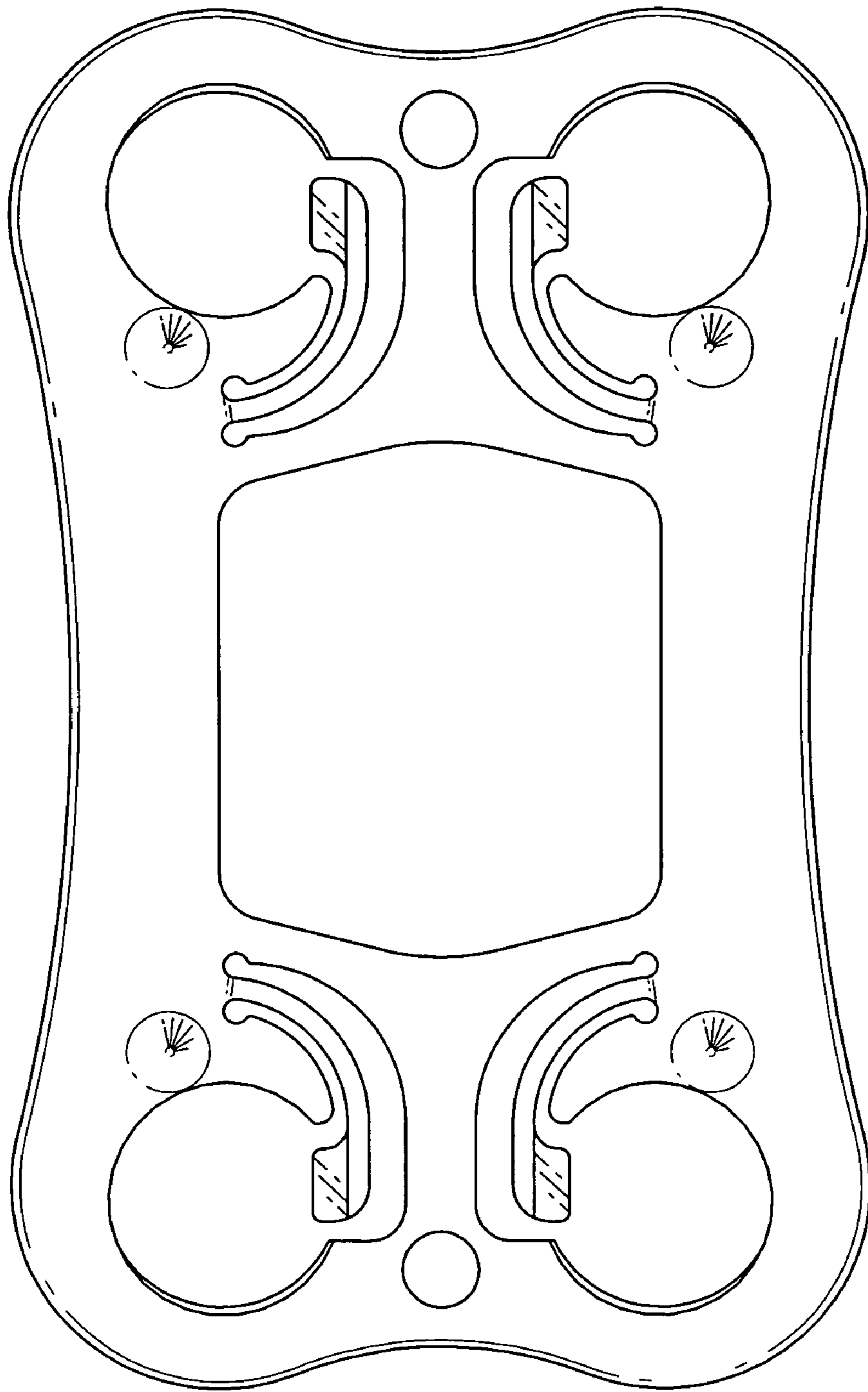


FIG. 5