



US00D603501S

(12) **United States Design Patent**
Mudd et al.

(10) **Patent No.:** **US D603,501 S**
(45) **Date of Patent:** **** Nov. 3, 2009**

(54) **INJECTION DEVICE**

(75) Inventors: **Christopher S. Mudd**, Goleta, CA (US);
Ahmet Tezel, Goleta, CA (US)

(73) Assignee: **Allergan, Inc.**, Irvine, CA (US)

(**) Term: **14 Years**

(21) Appl. No.: **29/337,267**

(22) Filed: **May 18, 2009**

Related U.S. Application Data

(62) Division of application No. 29/320,140, filed on Jun. 20, 2008, now Pat. No. Des. 593,677.

(51) **LOC (9) Cl.** **24-02**

(52) **U.S. Cl.** **D24/113**

(58) **Field of Classification Search** D24/113,
D24/112, 133, 114, 186, 104, 130, 108; 606/181,
606/185; 604/232, 187

See application file for complete search history.

(56) **References Cited**

U.S. PATENT DOCUMENTS

| | | | | |
|-----------|-----|---------|----------------------|---------|
| 4,108,177 | A | 8/1978 | Pistor | |
| D256,160 | S * | 7/1980 | Fujitaki et al. | D24/113 |
| 4,787,893 | A | 11/1988 | Villette | |
| 4,950,246 | A | 8/1990 | Muller | |
| 5,078,690 | A * | 1/1992 | Ryan | 604/187 |
| 5,137,514 | A * | 8/1992 | Ryan | D24/113 |
| 5,368,572 | A | 11/1994 | Shirota | |
| 5,383,865 | A | 1/1995 | Michel | |
| D363,777 | S * | 10/1995 | Rees | D24/113 |
| 5,672,155 | A | 9/1997 | Riley et al. | |
| 5,690,618 | A | 11/1997 | Smith et al. | |
| D404,484 | S * | 1/1999 | Lahr et al. | D24/133 |
| D406,337 | S * | 3/1999 | Baust et al. | D24/133 |
| D408,527 | S * | 4/1999 | Coelho et al. | D24/108 |
| 5,911,729 | A * | 6/1999 | Shikhman et al. | 606/181 |
| 6,171,276 | B1 | 1/2001 | Lippe et al. | |
| D460,174 | S * | 7/2002 | Gallagher | D24/113 |
| 6,582,405 | B2 | 6/2003 | Kawagishi et al. | |
| 6,585,698 | B1 | 7/2003 | Packman et al. | |
| D478,986 | S * | 8/2003 | Johnston et al. | D24/133 |
| 6,656,150 | B2 | 12/2003 | Hill et al. | |
| 6,696,370 | B2 | 2/2004 | Jackson | |

| | | | | |
|--------------|------|---------|-------------------------|---------|
| 6,915,822 | B2 | 7/2005 | Krumm | |
| 6,997,906 | B2 | 2/2006 | Langley et al. | |
| D536,785 | S * | 2/2007 | Bacher et al. | D24/133 |
| D545,428 | S * | 6/2007 | Stammberger et al. | D24/113 |
| 7,226,450 | B2 | 6/2007 | Athanasidou et al. | |
| 2005/0261693 | A1 * | 11/2005 | Miller et al. | 604/187 |
| 2007/0250010 | A1 | 10/2007 | Hohlfelder et al. | |

FOREIGN PATENT DOCUMENTS

| | | | |
|----|---------------|----|---------|
| EP | 293958 | B1 | 12/1988 |
| EP | 567186 | B1 | 10/1993 |
| EP | 1462134 | A1 | 9/2004 |
| EP | 1859827 | A1 | 11/2007 |
| WO | WO93/02720 | A1 | 2/1993 |
| WO | WO94/15660 | A1 | 7/1994 |
| WO | WO97/36623 | A1 | 10/1997 |
| WO | WO2005/056088 | A1 | 6/2005 |
| WO | WO2006/090509 | A1 | 8/2006 |
| WO | WO2006/116997 | A1 | 11/2006 |

* cited by examiner

Primary Examiner—T. Chase Nelson

Assistant Examiner—David G Muller

(74) *Attorney, Agent, or Firm*—Linda A. Fox

(57) **CLAIM**

The ornamental design for an injection device, as shown and described.

DESCRIPTION

FIG. 1 is a perspective view of an injection device showing our new design.

FIG. 2 is a first side view thereof.

FIG. 3 is a second side view thereof.

FIG. 4 is a top view thereof.

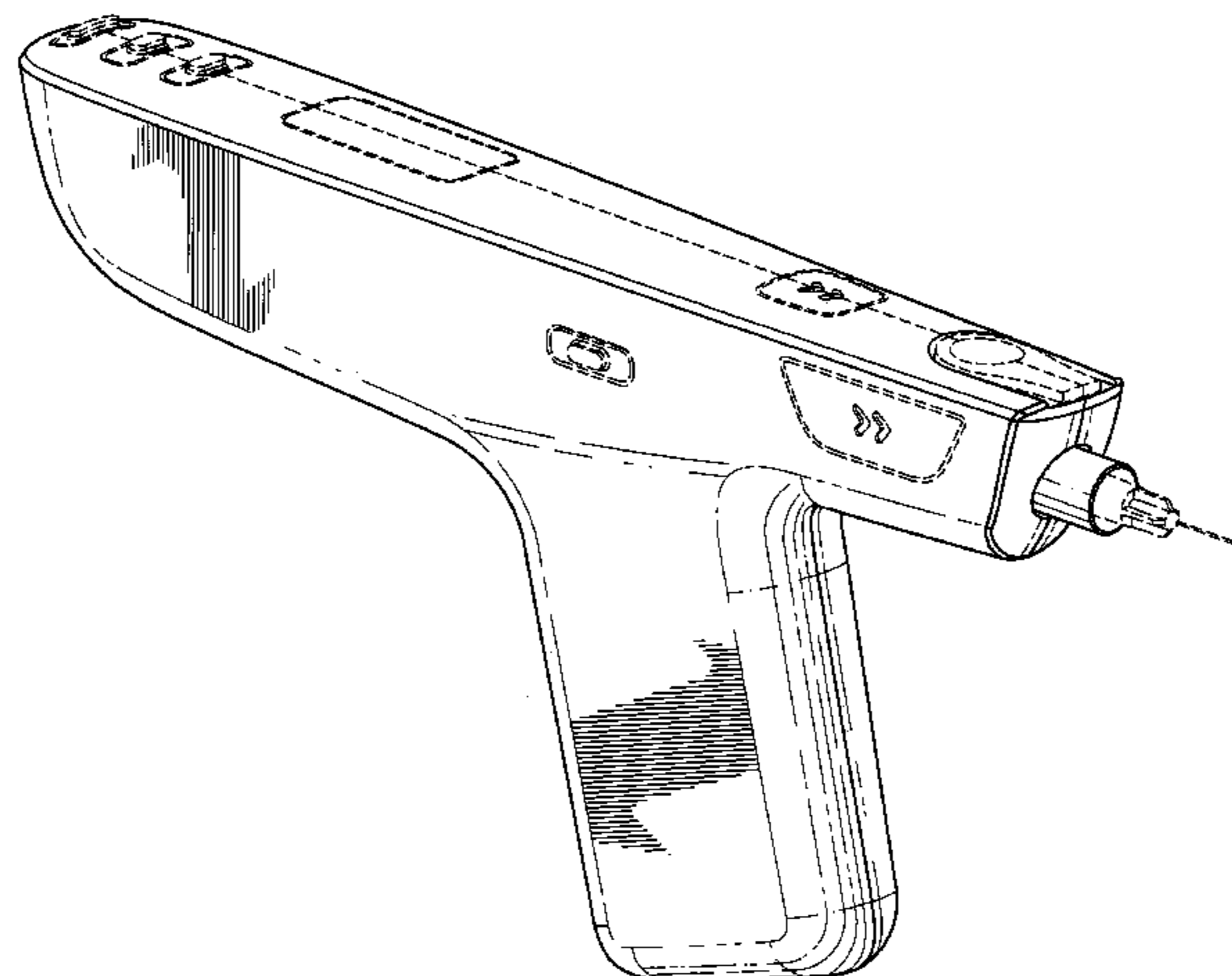
FIG. 5 is a bottom view thereof.

FIG. 6 is a front view thereof; and,

FIG. 7 is a back view thereof.

The features shown in broken lines depict environmental subject matter only and form no part of the claimed design.

1 Claim, 5 Drawing Sheets



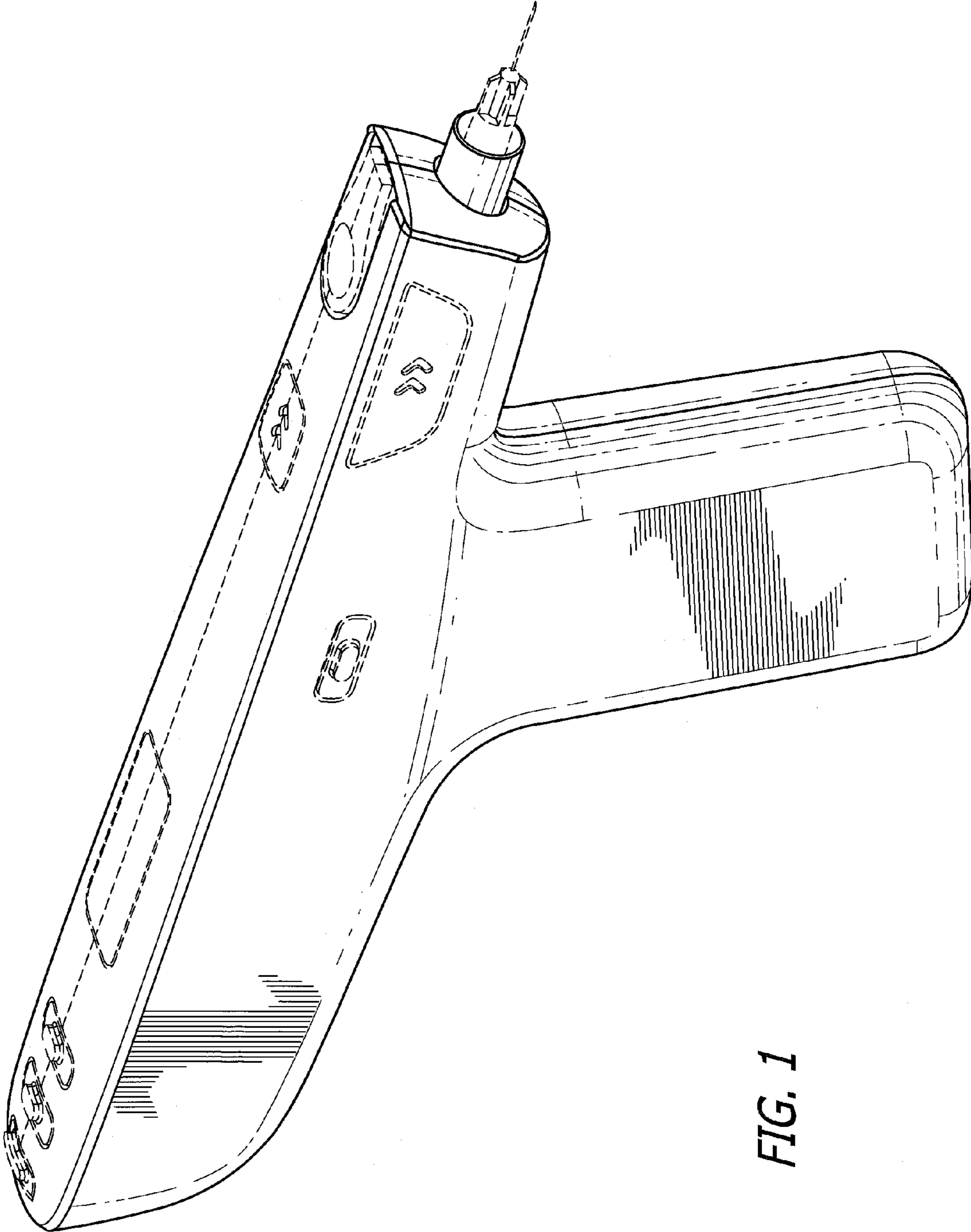


FIG. 1

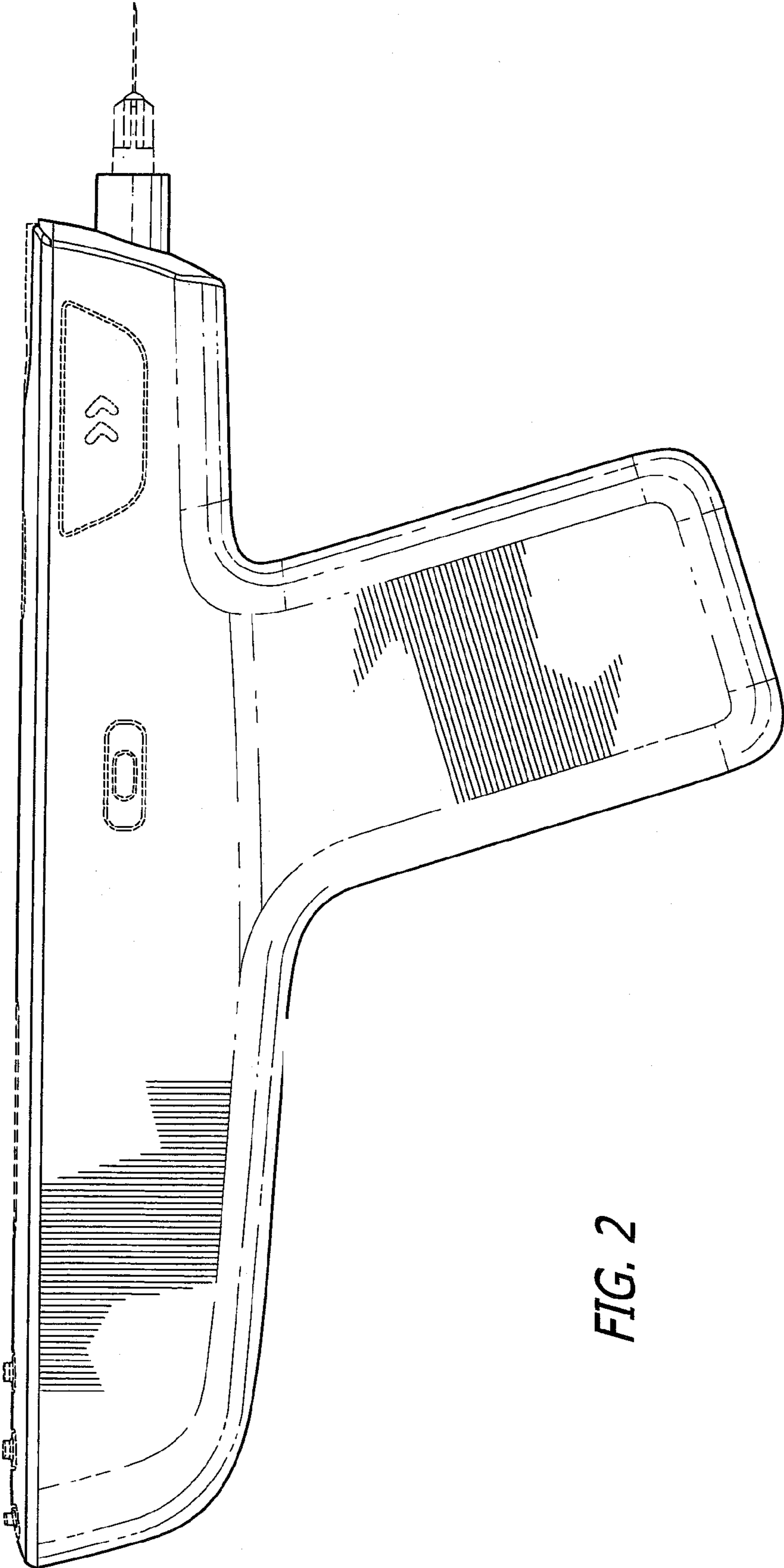


FIG. 2

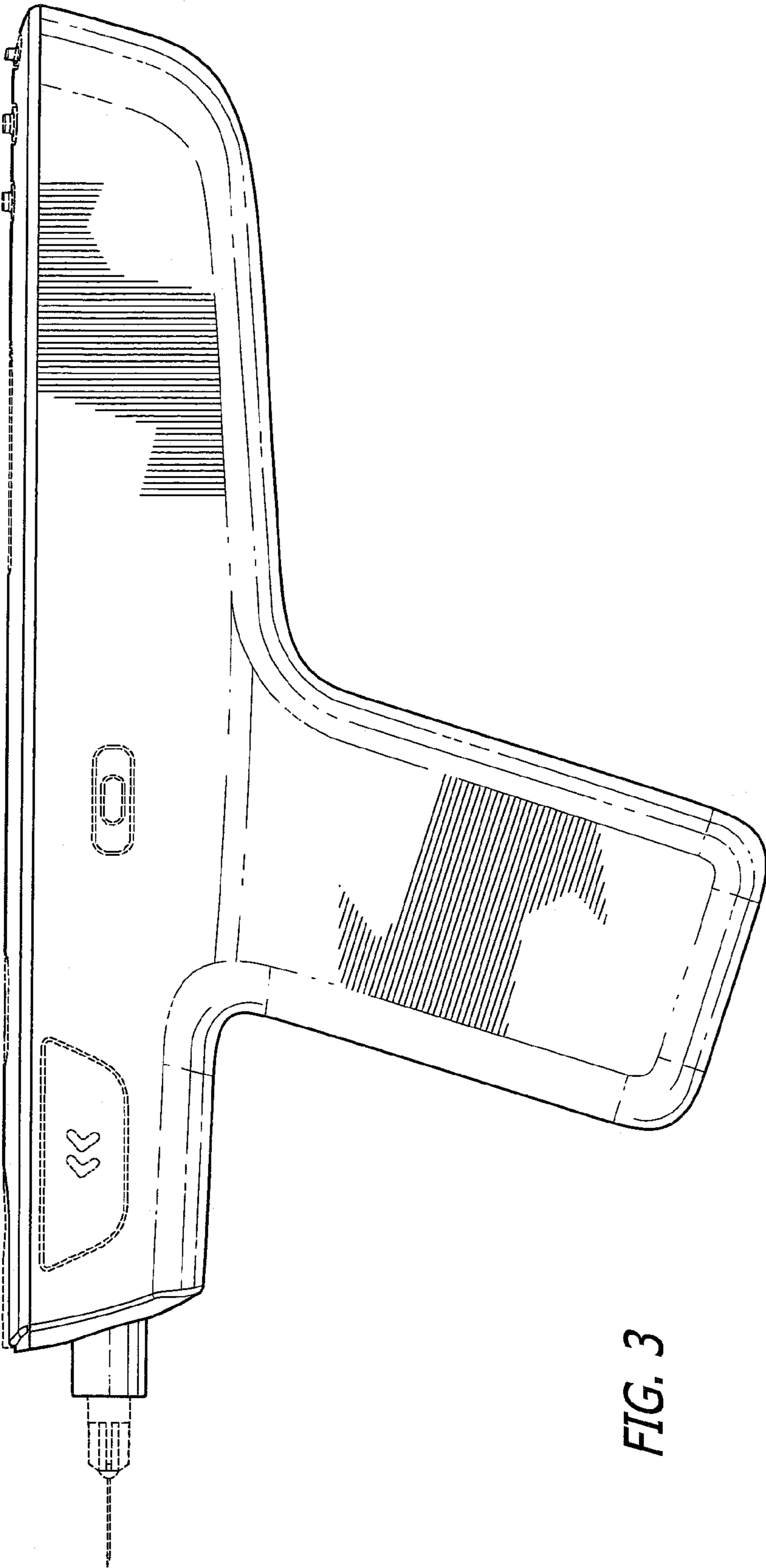


FIG. 3

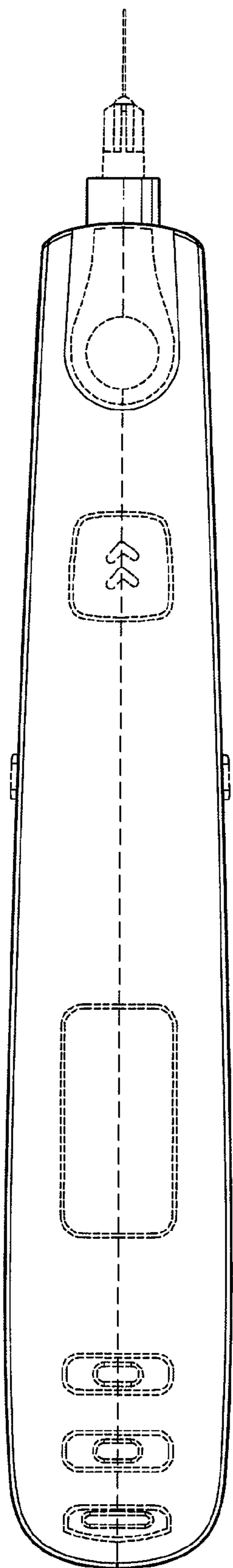


FIG. 4

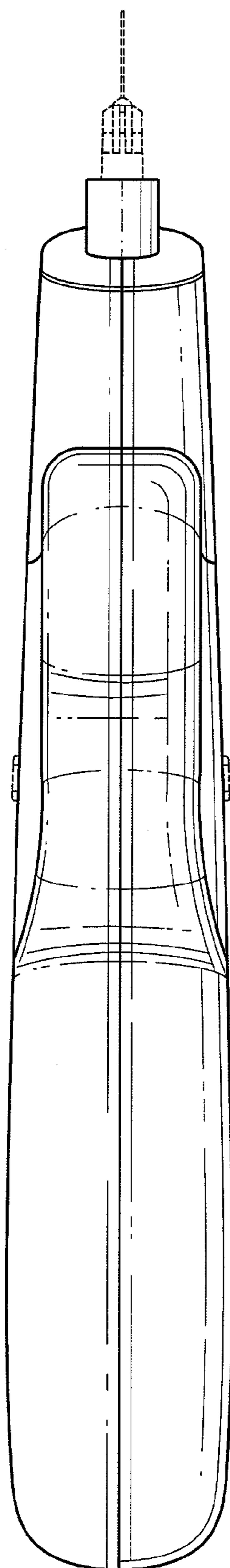


FIG. 5

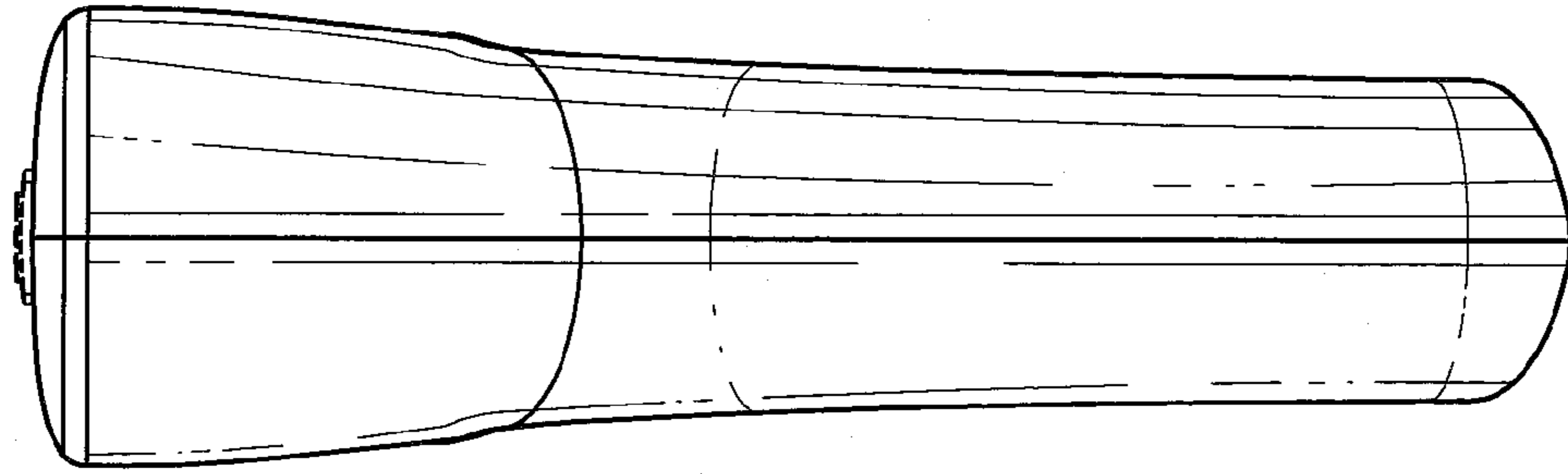


FIG. 7

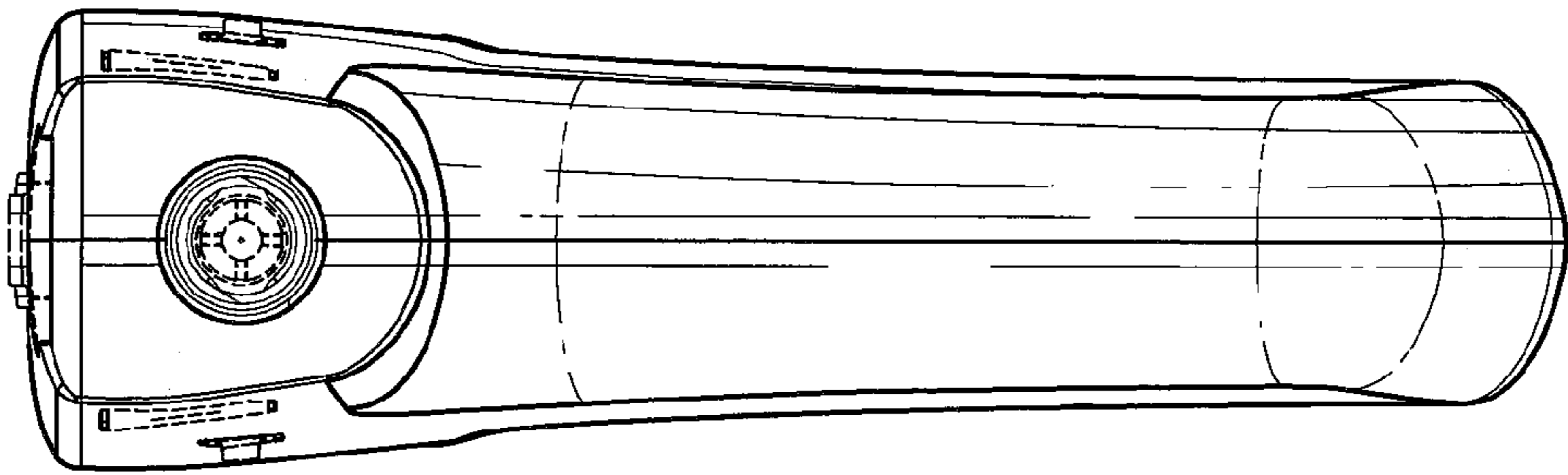


FIG. 6

UNITED STATES PATENT AND TRADEMARK OFFICE
CERTIFICATE OF CORRECTION

PATENT NO. : Des. 603,501 S
APPLICATION NO. : 29/337267
DATED : November 3, 2009
INVENTOR(S) : Mudd et al.

Page 1 of 1

It is certified that error appears in the above-identified patent and that said Letters Patent is hereby corrected as shown below:

On the Title page, item (62), Related U.S. Application Data, column 1, line 1, delete
"Division" and insert -- Continuation --, therefor.

Signed and Sealed this

First Day of June, 2010

A handwritten signature in black ink that reads "David J. Kappos". The signature is written in a cursive style with a large initial 'D' and a stylized 'K'.

David J. Kappos
Director of the United States Patent and Trademark Office