



US00D603493S

(12) **United States Design Patent**  
**Fraser et al.**

(10) **Patent No.:** **US D603,493 S**  
(45) **Date of Patent:** **\*\* Nov. 3, 2009**

(54) **INSTRUMENT PANEL REGISTER**

(57) **CLAIM**

(75) Inventors: **Jason Fraser**, Waterloo (CA); **Liviu Ojog**, Kitchener (CA); **Grzegorz Baniak**, Toronto (CA)

The ornamental design for an instrument panel register, as shown and described.

(73) Assignee: **Ultra Manufacturing Limited**, Waterloo, Ontario (CA)

**DESCRIPTION**

(\*\*) Term: **14 Years**

FIG. 1 is an isometric view of a front side of the instrument panel register in a fully open condition;

(21) Appl. No.: **29/329,270**

FIG. 2 is an isometric view of a rear side thereof;

(22) Filed: **Dec. 11, 2008**

FIG. 3 is a side view of a first side thereof;

(51) **LOC (9) Cl.** ..... **23-04**

FIG. 4 is a front view thereof;

(52) **U.S. Cl.** ..... **D23/327**

FIG. 5 is a side view of a second side thereof;

(58) **Field of Classification Search** ..... D12/192,  
D12/195; D23/324–327; 454/152–155  
See application file for complete search history.

FIG. 6 is a rear view thereof;

(56) **References Cited**

**U.S. PATENT DOCUMENTS**

FIG. 7 is a top view thereof;

D223,761 S \* 6/1972 Patrick ..... D23/325

FIG. 8 is a bottom view thereof;

D370,723 S \* 6/1996 Nishizawa ..... D23/390

FIG. 9 is an isometric view of the instrument panel register in the fully open condition in an alternative position;

5,967,891 A \* 10/1999 Riley et al. .... 454/154

FIG. 10 is an isometric view of the instrument panel register in the fully open condition in another alternative position;

D427,303 S \* 6/2000 Brown ..... D23/390

FIG. 11 is an isometric view of the instrument panel register in the fully open condition in another alternative position;

6,342,003 B1 \* 1/2002 Wang ..... 454/155

FIG. 12 is an isometric view of the front side of the instrument panel register in a fully closed condition;

D468,008 S \* 12/2002 Fraser et al. .... D23/390

FIG. 13 is a front view of the instrument panel register in the fully closed condition; and,

2006/0135054 A1 \* 6/2006 Burr et al. .... 454/155

FIG. 14 is an isometric view of the instrument panel register shown at a greatly reduced scale installed in an instrument panel.

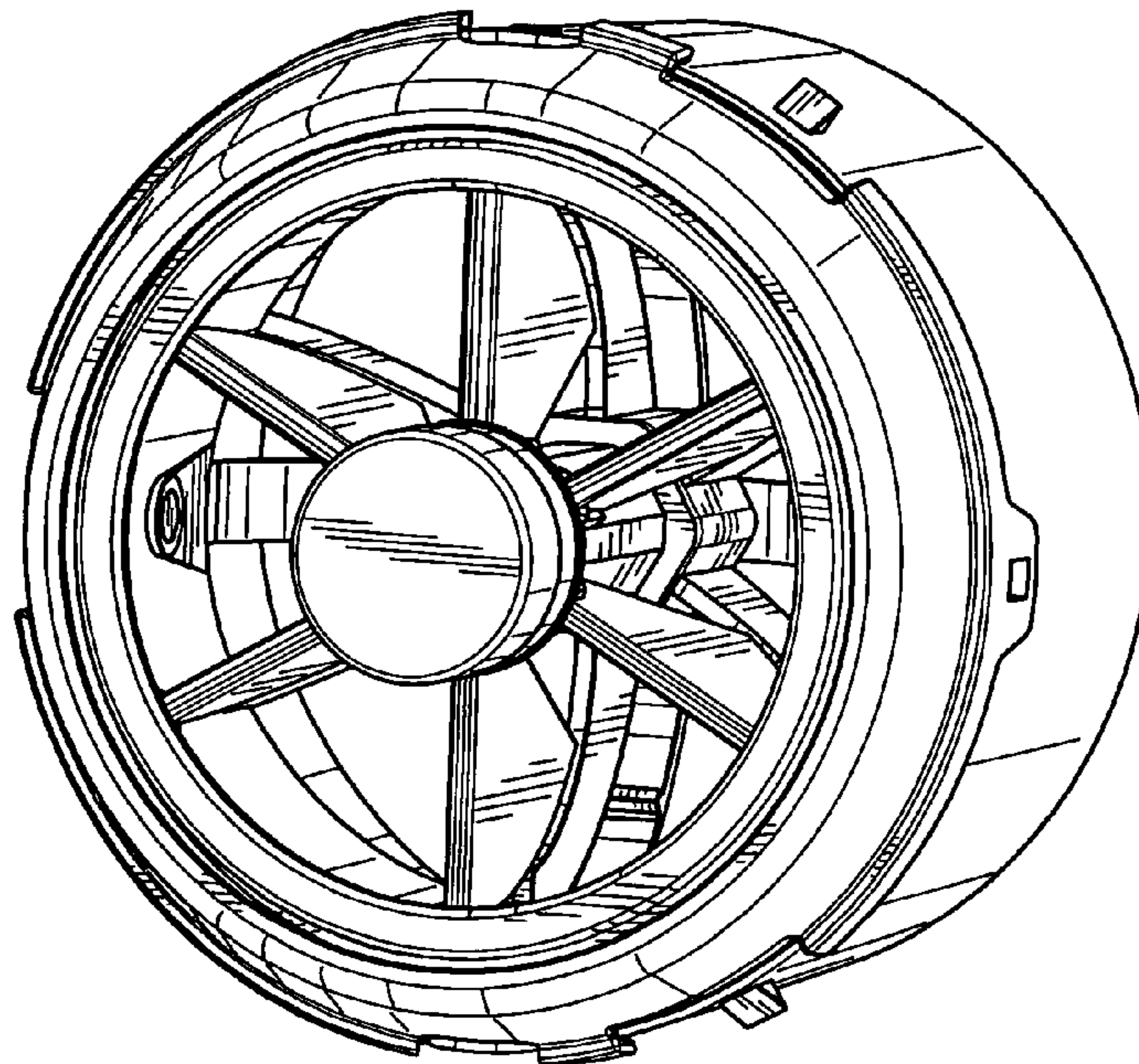
2006/0172681 A1 \* 8/2006 Steinbeiss ..... 454/152

The broken lines showing of environment are for illustrative purposes only and form no part of the claimed design.

\* cited by examiner

*Primary Examiner*—Antoine D Davis

**1 Claim, 8 Drawing Sheets**



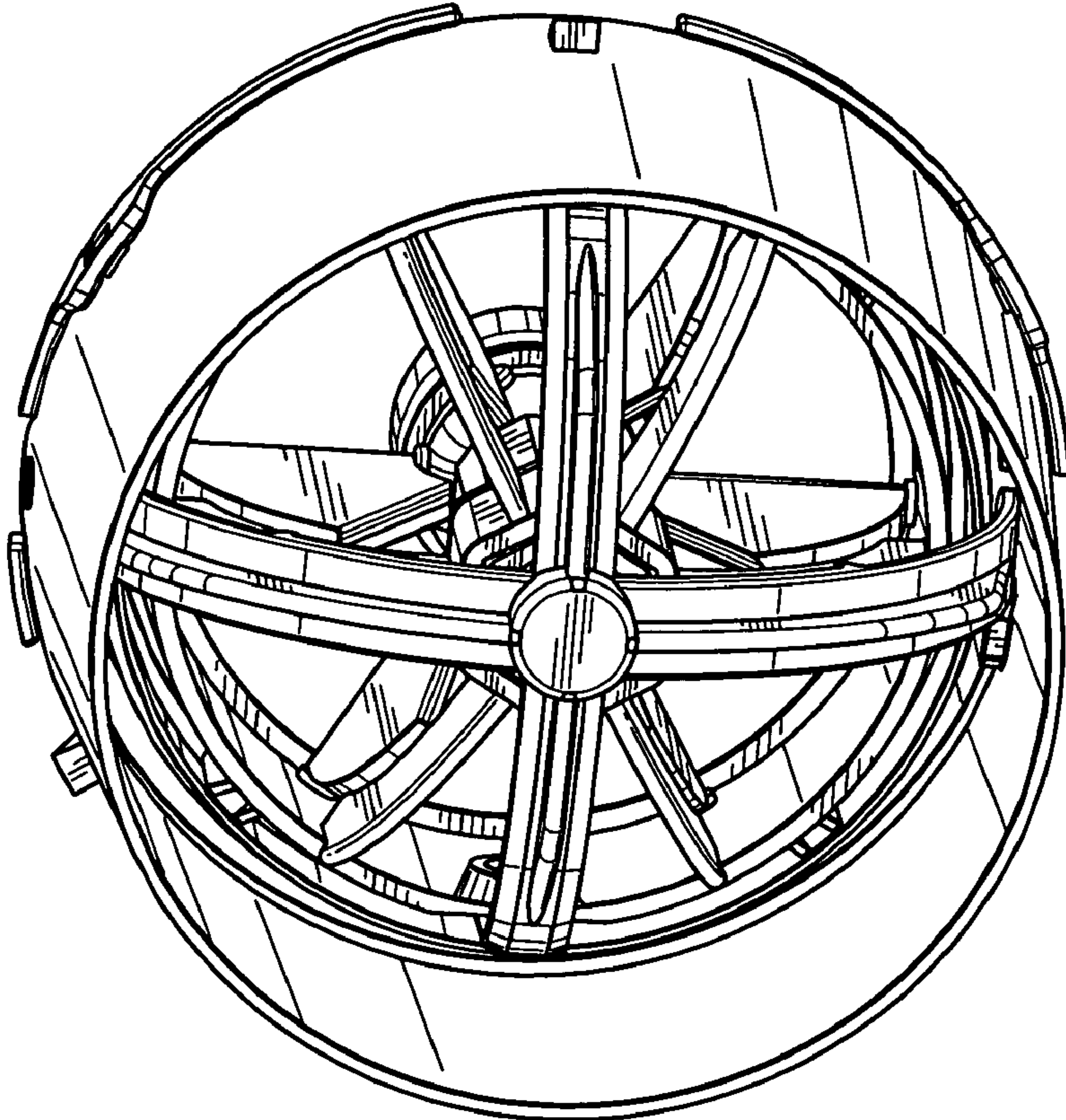


FIG. 2

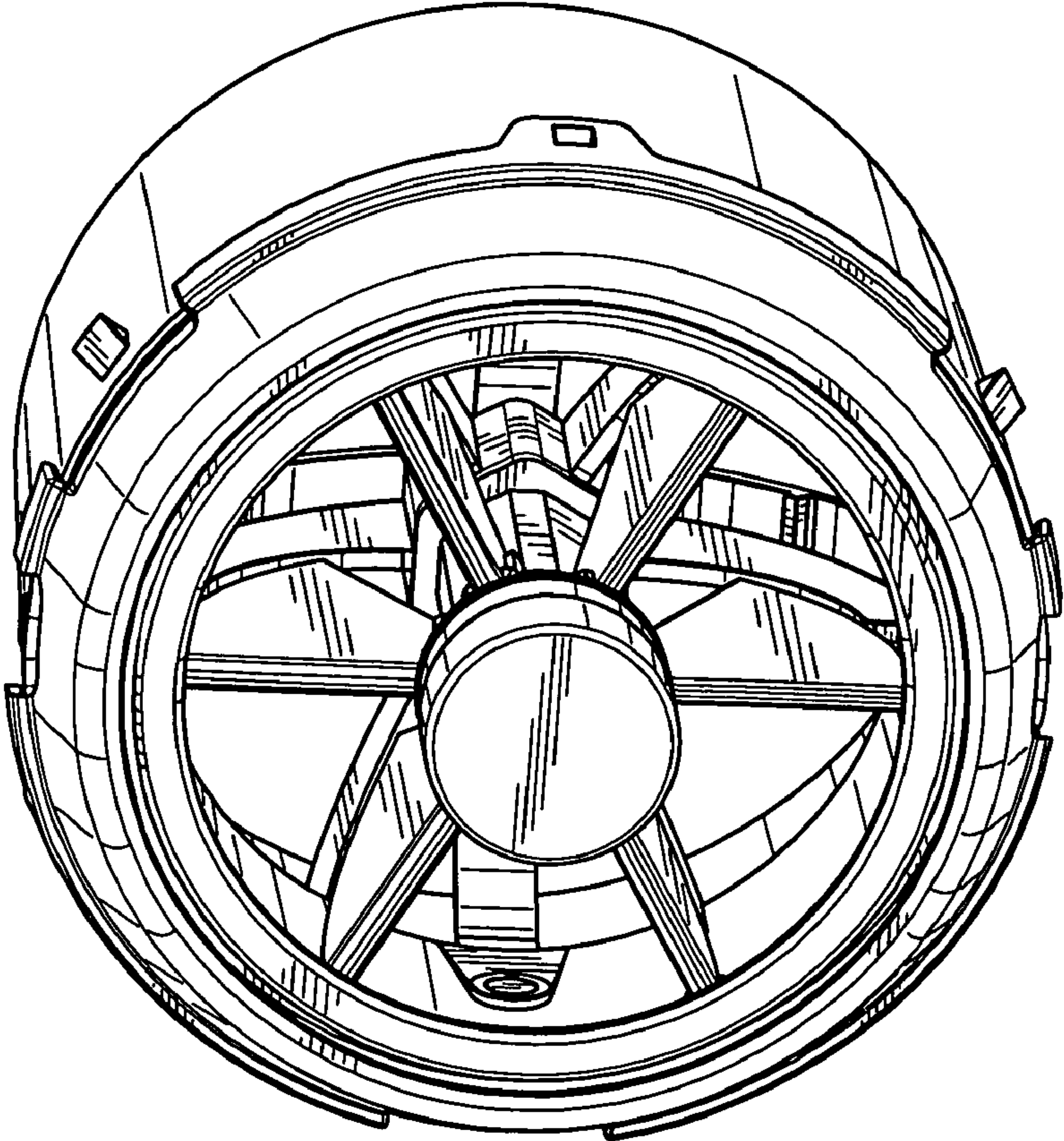
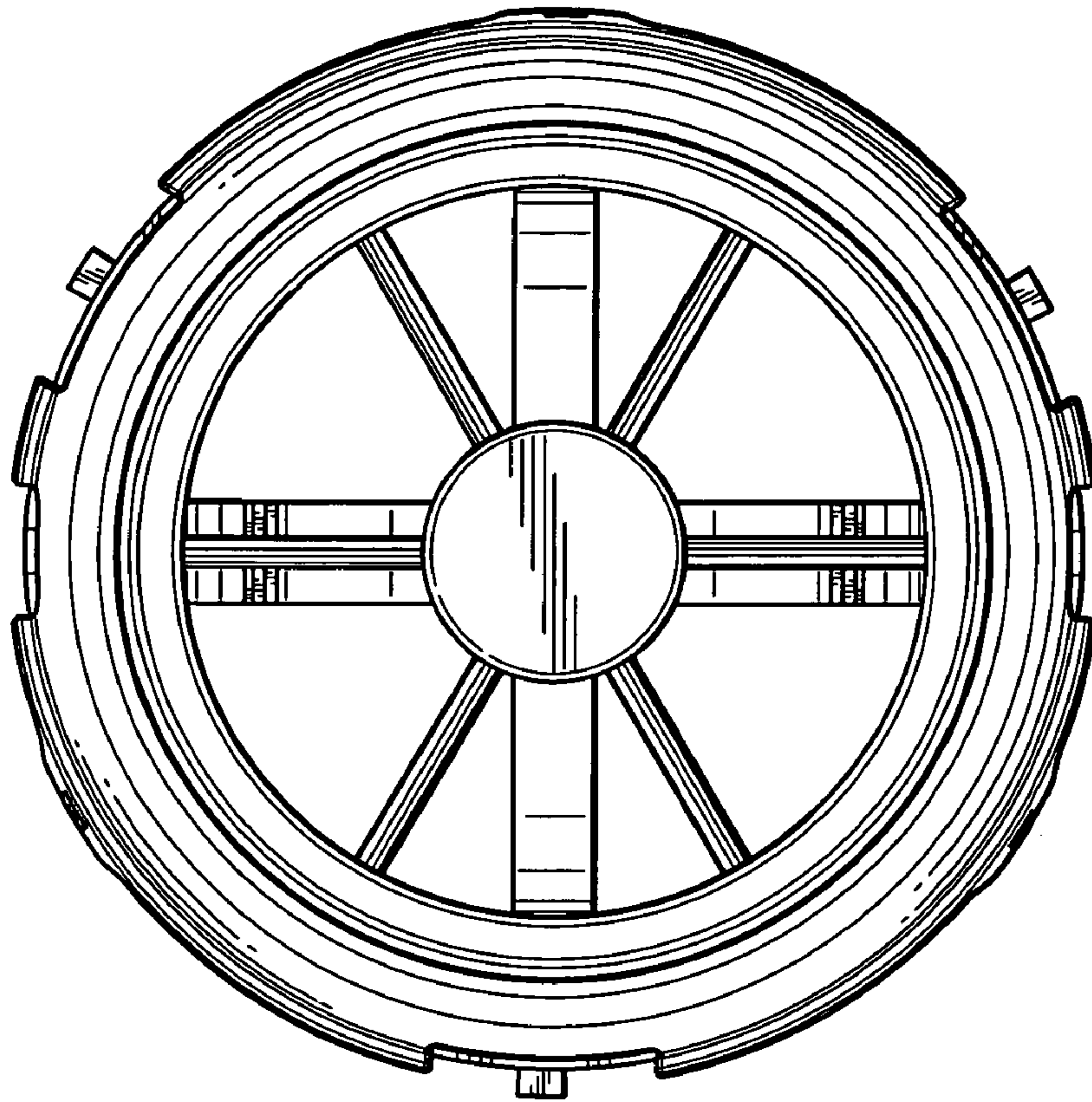
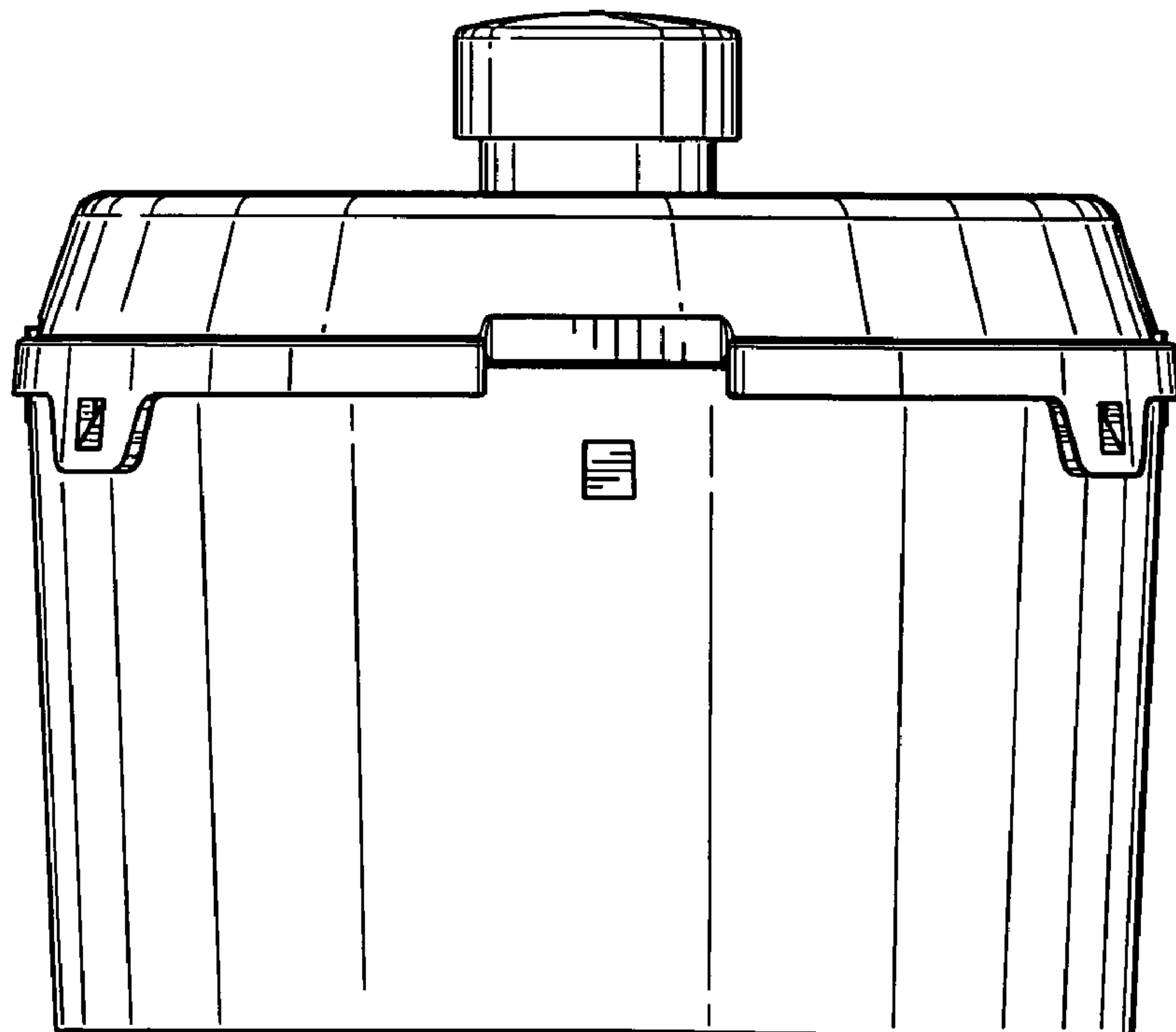


FIG. 1





**FIG. 4**



**FIG. 3**

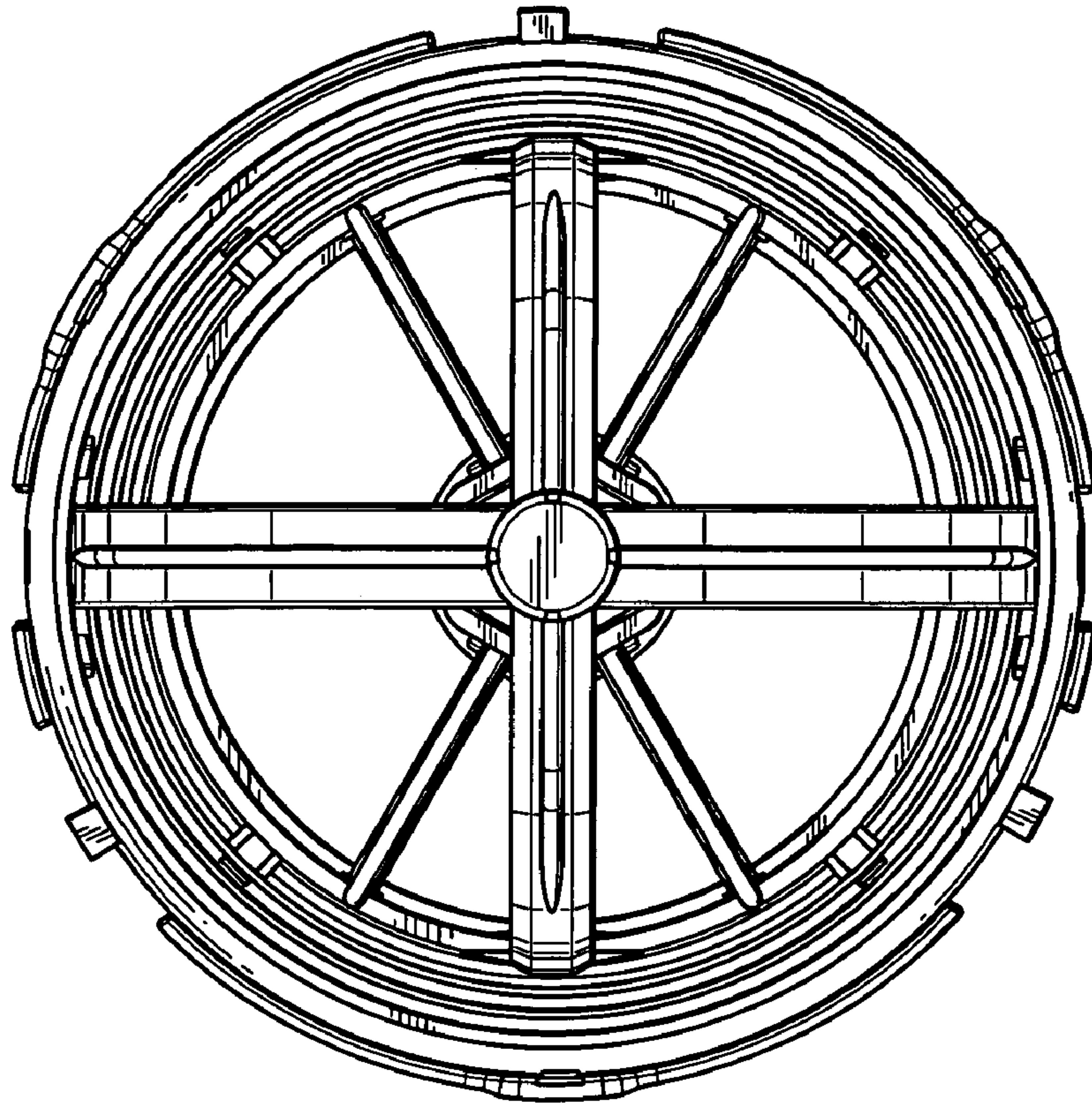


FIG. 6

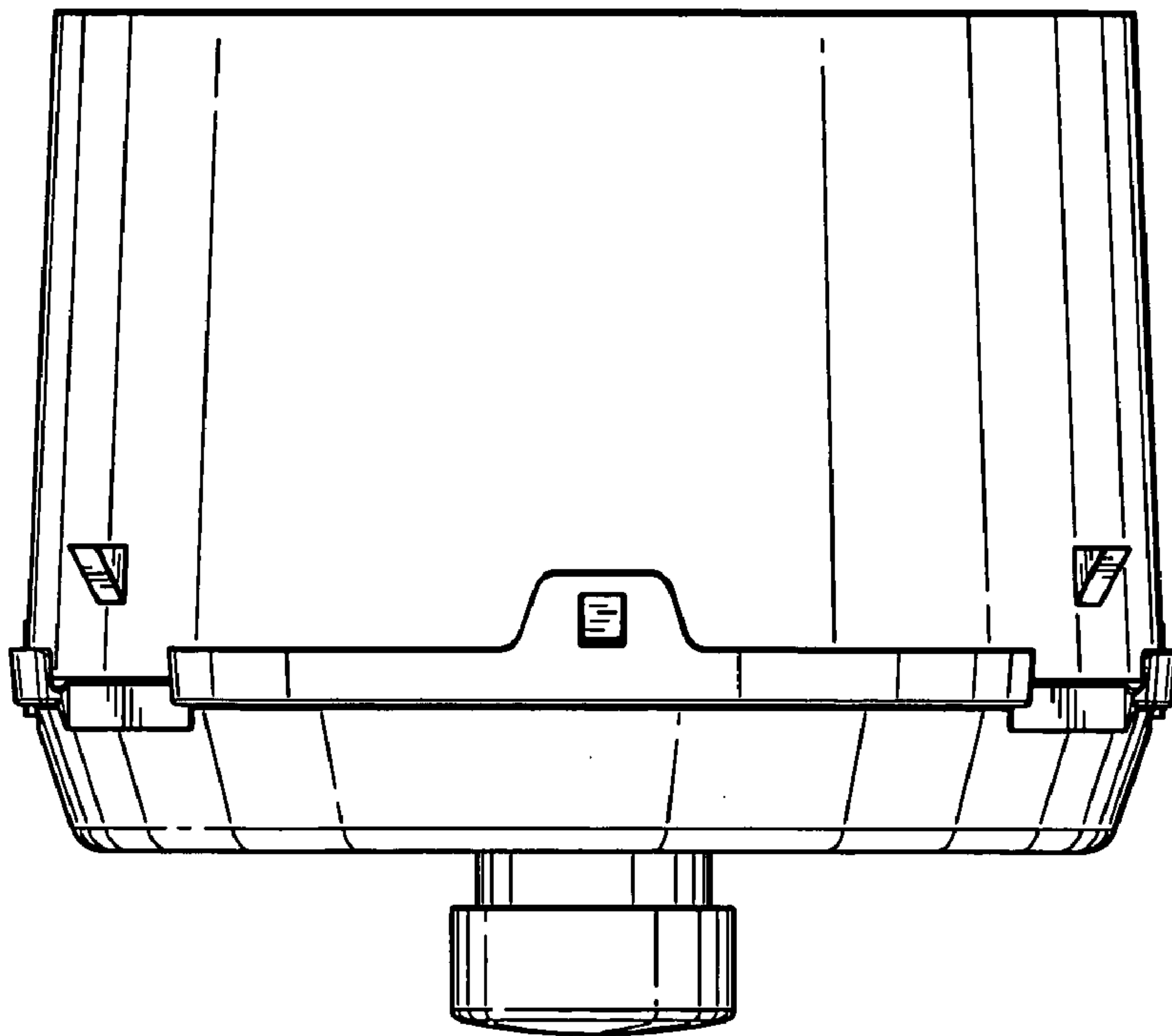


FIG. 5

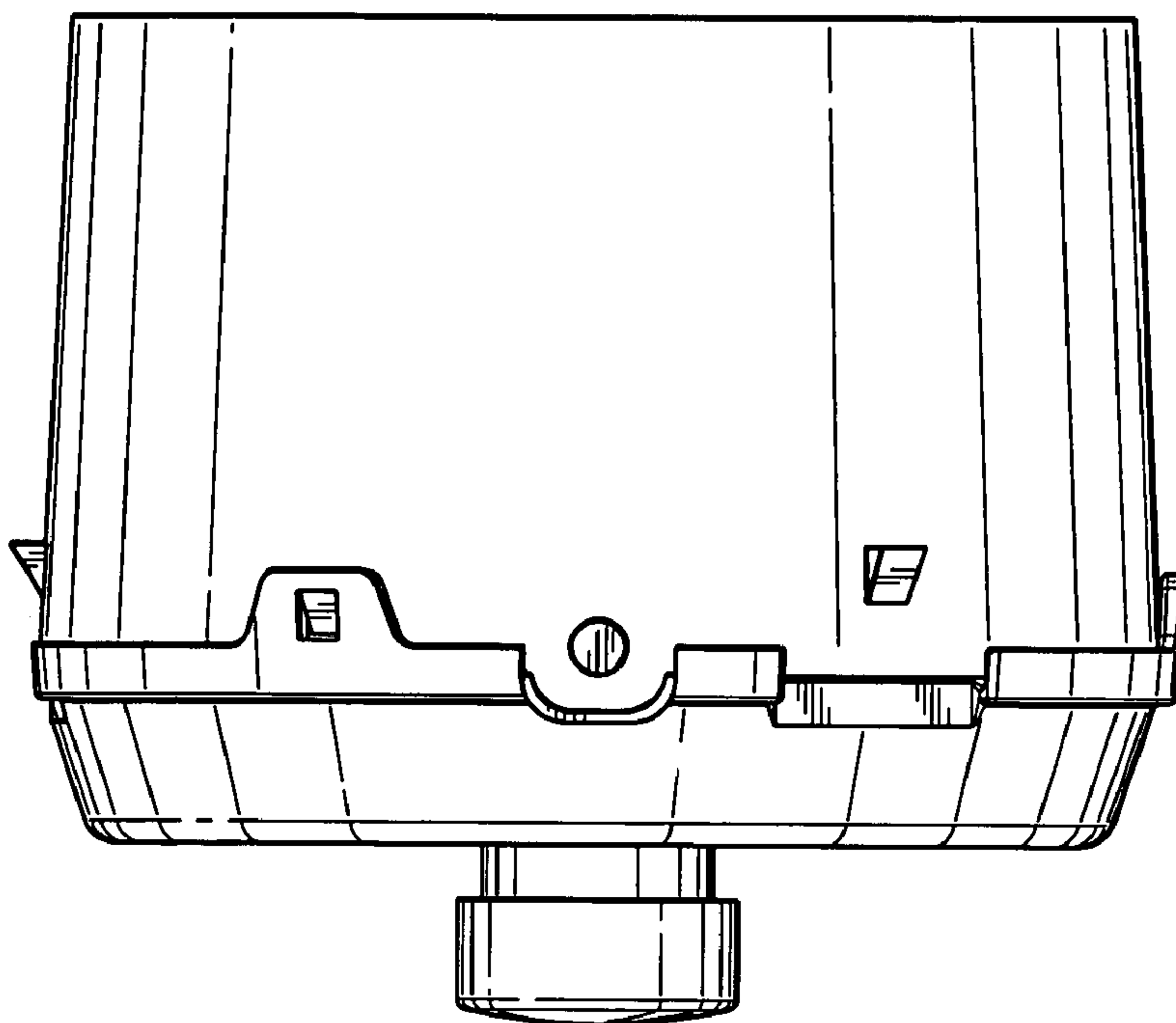


FIG. 7

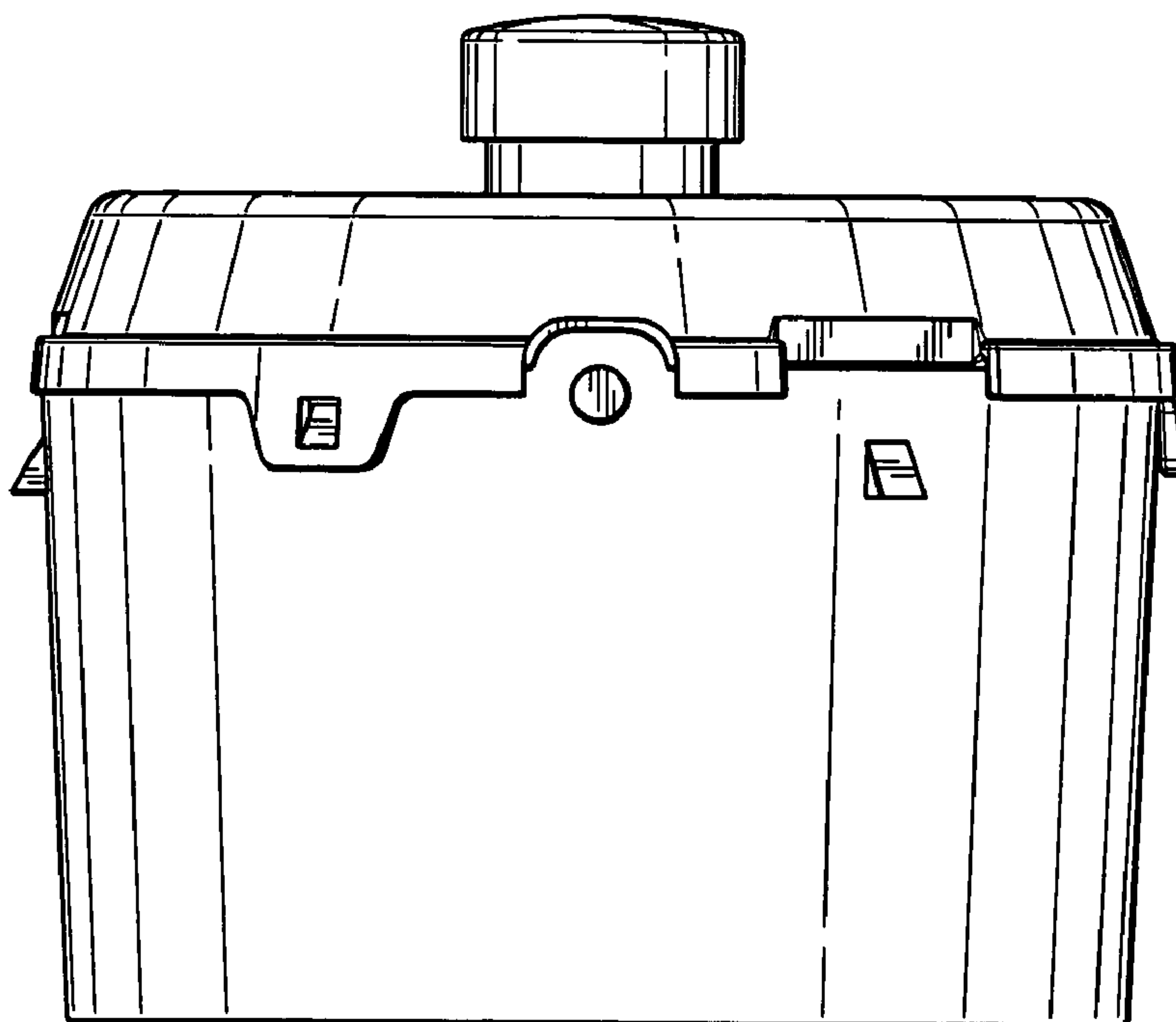
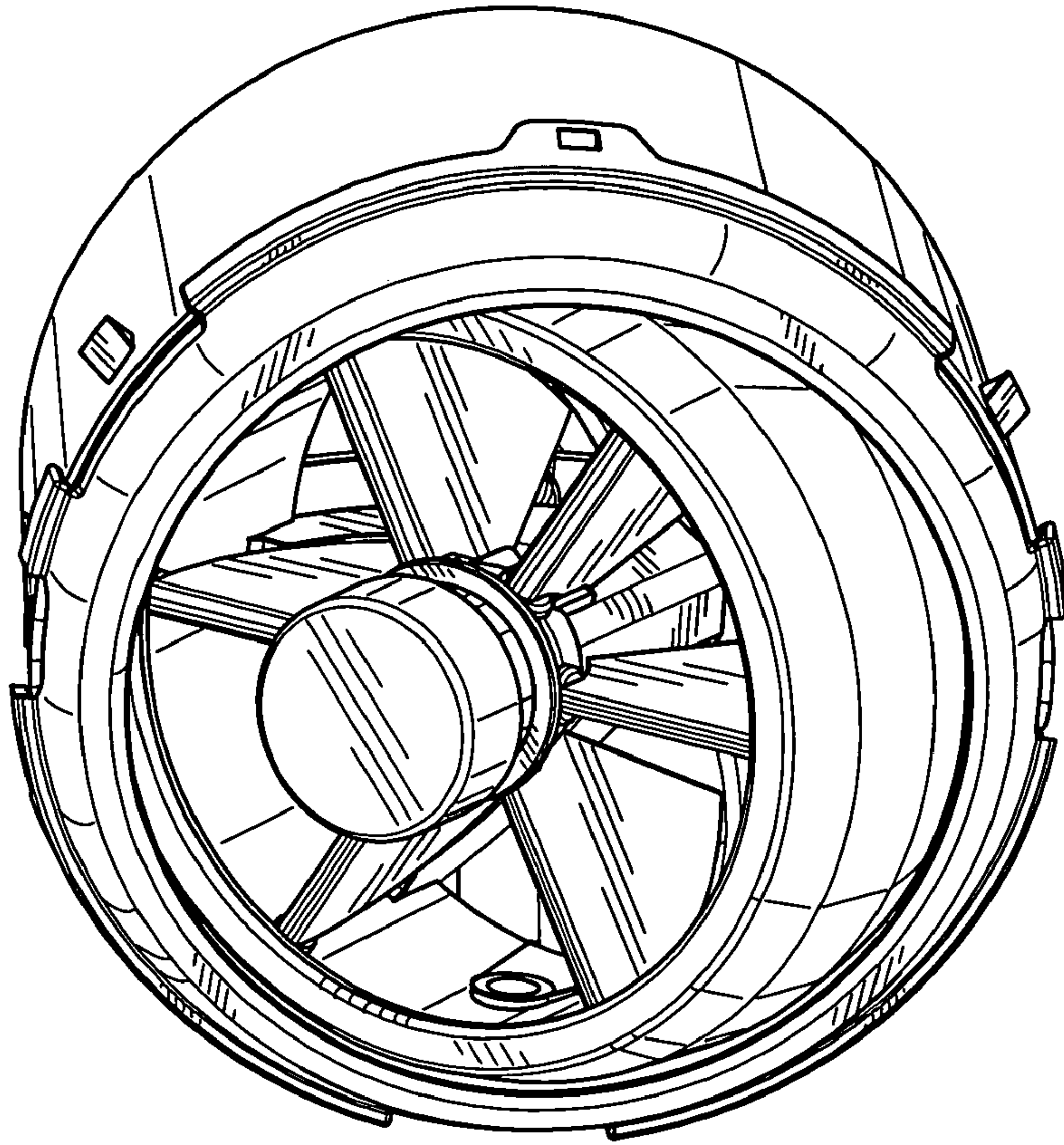
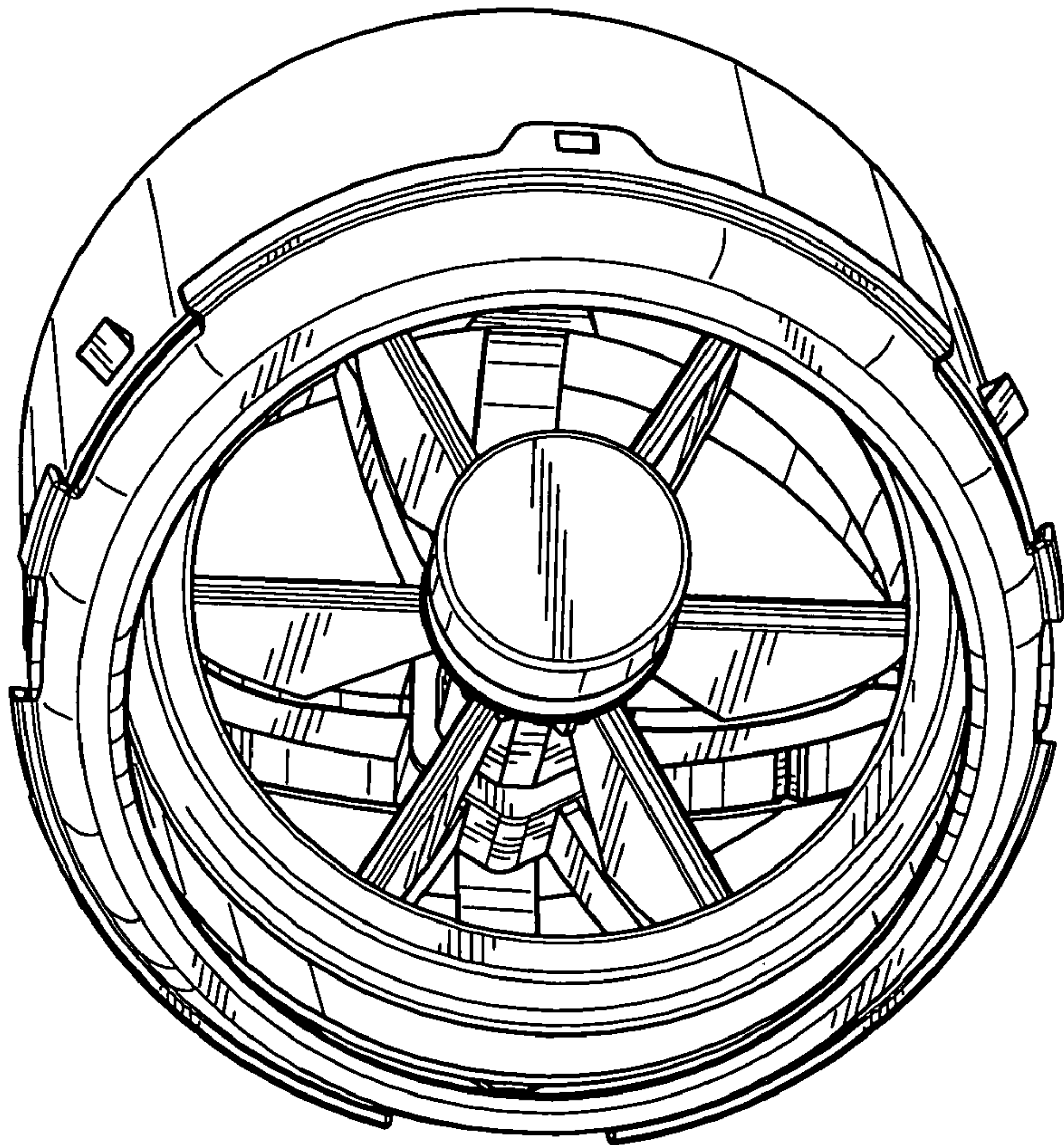


FIG. 8





**FIG. 10**



**FIG. 9**

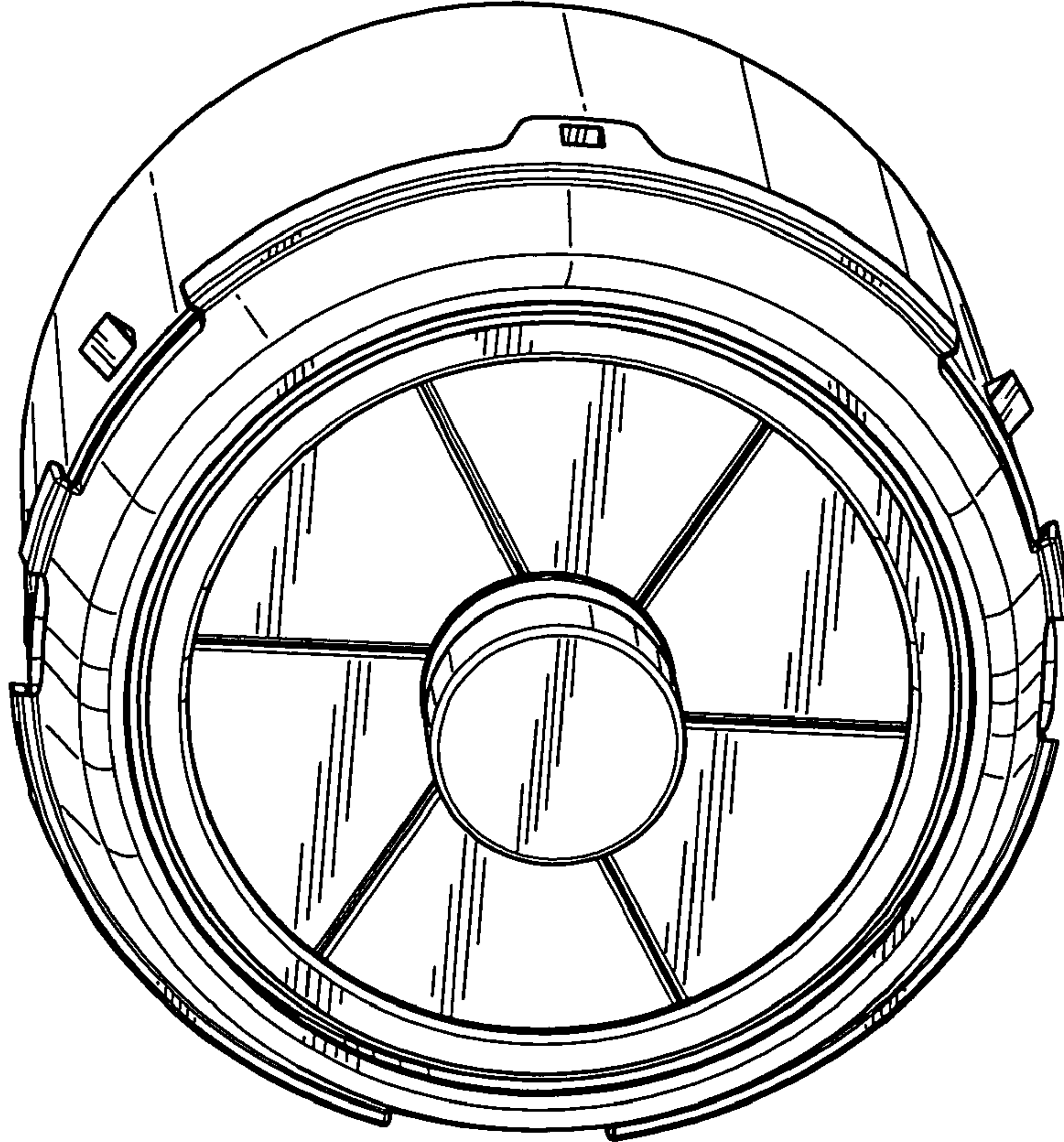


FIG. 12

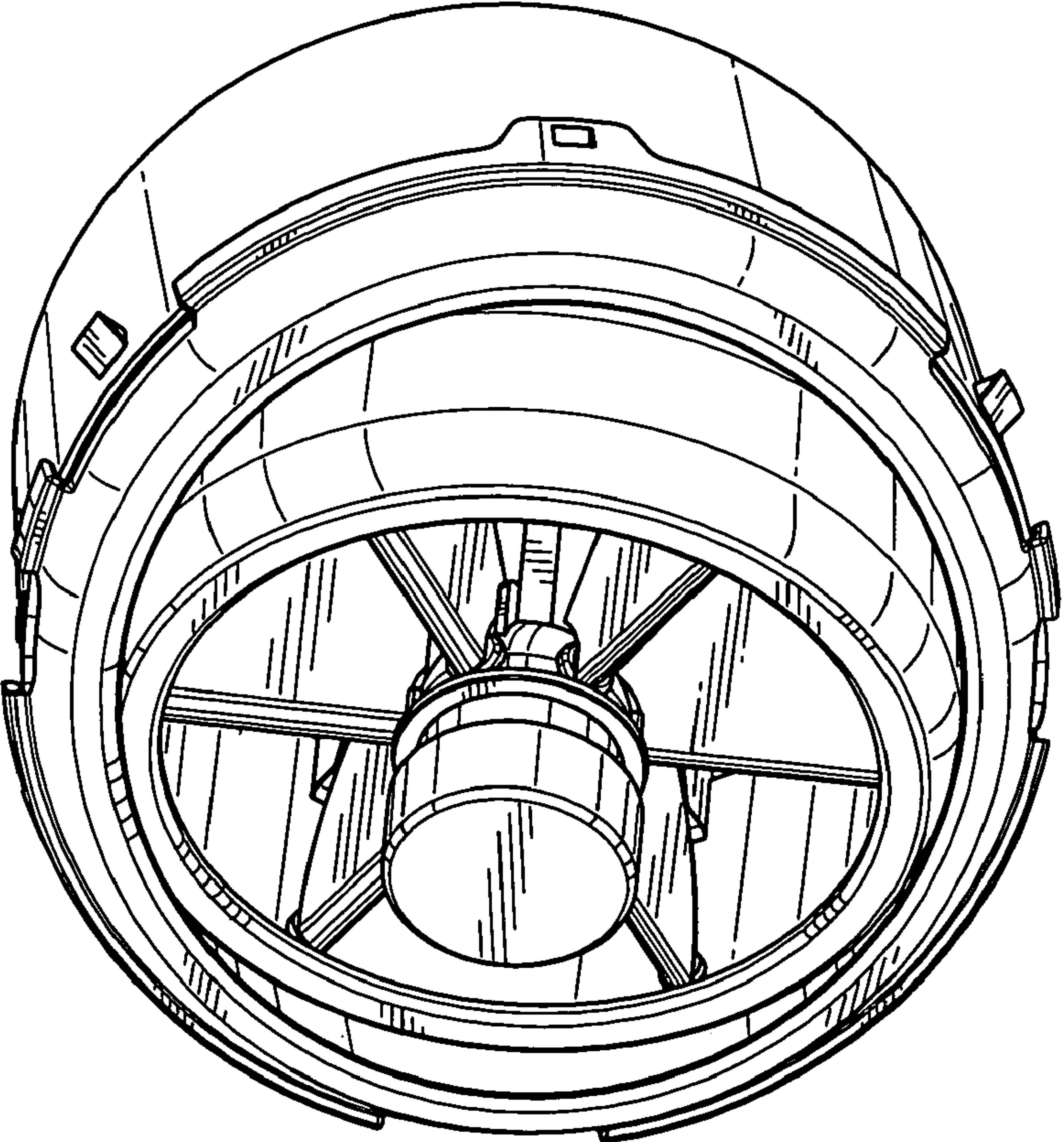
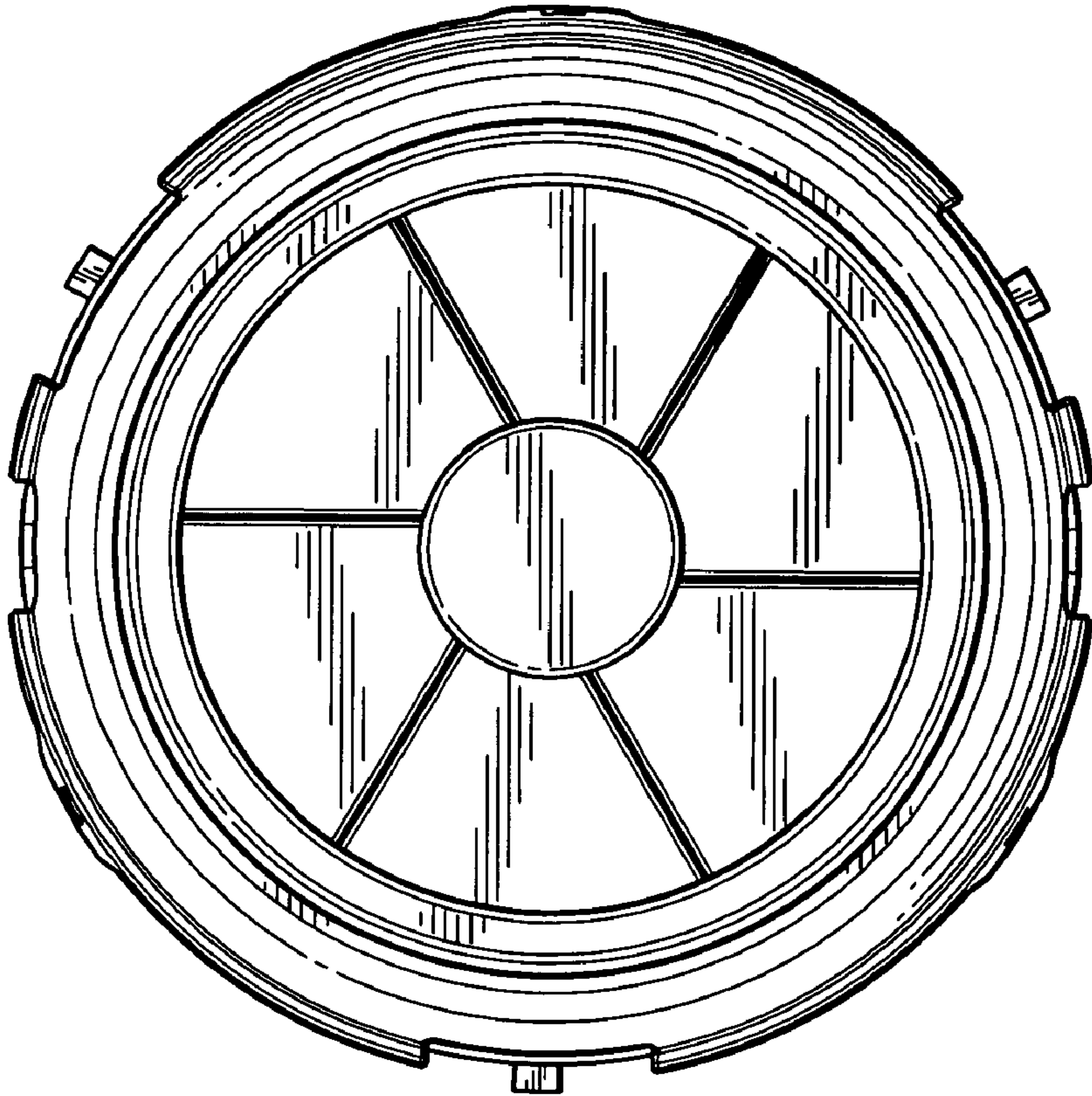


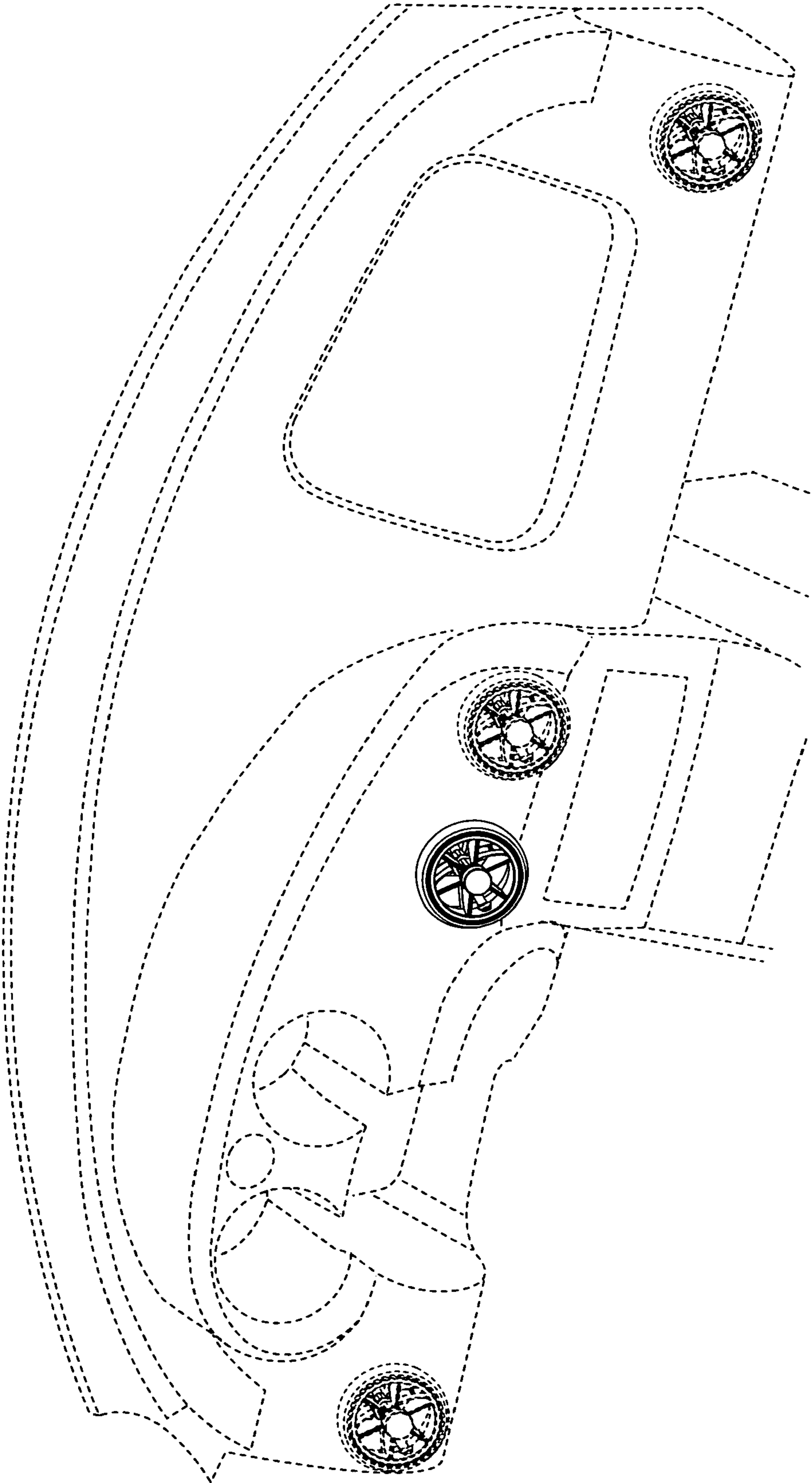
FIG. 11





**FIG. 13**





**FIG. 14**