



US00D603491S

(12) **United States Design Patent**  
**Villalobos et al.**

(10) **Patent No.:** **US D603,491 S**  
(45) **Date of Patent:** **\*\* Nov. 3, 2009**

(54) **WATER HEATER**

(75) Inventors: **Gilberto Sanchez Villalobos**,  
Delegación Iztapalapa D.F. (MX); **Maria**  
**Guadalupe Ruiz Mayen**, Delegación  
Alvaro Obregón (MX)

(73) Assignee: **Calentadores De America S. De R.L.**  
**De. C.V.**, Mexico City, C.P. (MX)

(\*\*) Term: **14 Years**

(21) Appl. No.: **29/305,261**

(22) Filed: **Mar. 17, 2008**

(30) **Foreign Application Priority Data**

Sep. 18, 2007 (MX) ..... MX/F/2007/001967

(51) **LOC (9) Cl.** ..... **23-03**

(52) **U.S. Cl.** ..... **D23/318**

(58) **Field of Classification Search** ..... D23/318,  
D23/322, 319, 320, 321, 334; 126/361, 35 R;  
122/13.2, 14, 15, 19.2; 392/449, 451, 454  
See application file for complete search history.

(56) **References Cited**

**U.S. PATENT DOCUMENTS**

D108,706 S	3/1938	Sands	
D127,517 S *	5/1941	Fowler	D23/318
D131,955 S *	4/1942	Stangle	D23/318
D145,078 S *	6/1946	Green	D23/319
D145,106 S *	6/1946	Schladermundt	D23/319
2,617,391 A *	11/1952	Raymond	122/17.2
3,767,894 A	10/1973	Berger	
D262,992 S *	2/1982	Owen	D23/318
D300,352 S	3/1989	Ronvik	

D310,260 S	8/1990	Gauer et al.	
D347,274 S *	5/1994	Prevost	D23/318
D351,900 S *	10/1994	Prevot	D23/318
D361,073 S	8/1995	Walters et al.	
D388,868 S	1/1998	Vago et al.	
D400,971 S	11/1998	Vago et al.	
D485,893 S	1/2004	Du et al.	
D486,897 S	2/2004	Rolph et al.	
D532,497 S	11/2006	Engel et al.	
D550,825 S	9/2007	McNeely et al.	
D553,728 S	10/2007	McNeely et al.	
2001/0031137 A1	10/2001	Jones-Lawlor et al.	

\* cited by examiner

*Primary Examiner*—T. Chase Nelson

*Assistant Examiner*—Ania K Dworzecka

(74) *Attorney, Agent, or Firm*—Dority & Manning, P.A.

(57) **CLAIM**

The ornamental design for a water heater, as shown and described.

**DESCRIPTION**

FIG. 1 is a perspective view of a water heater showing our new design;

FIG. 2 is a front elevational view thereof;

FIG. 3 is a rear elevational view thereof;

FIG. 4 is a left side view thereof;

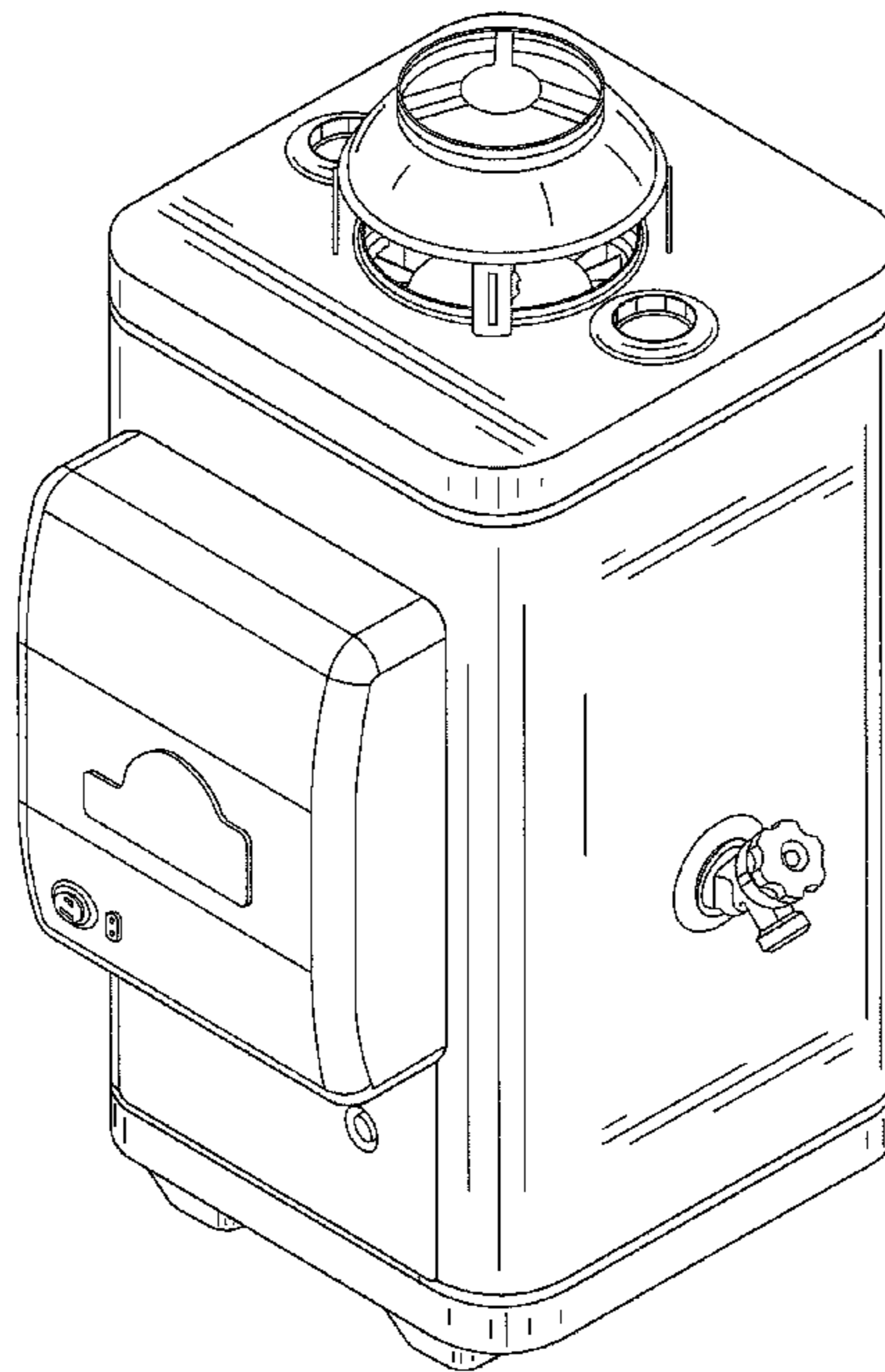
FIG. 5 is a right side view thereof;

FIG. 6 is a bottom plan view thereof; and,

FIG. 7 is a top plan view.

The portions of the water heater shown in dashed lines in FIG. 4 do not form a part of the claimed design.

**1 Claim, 7 Drawing Sheets**



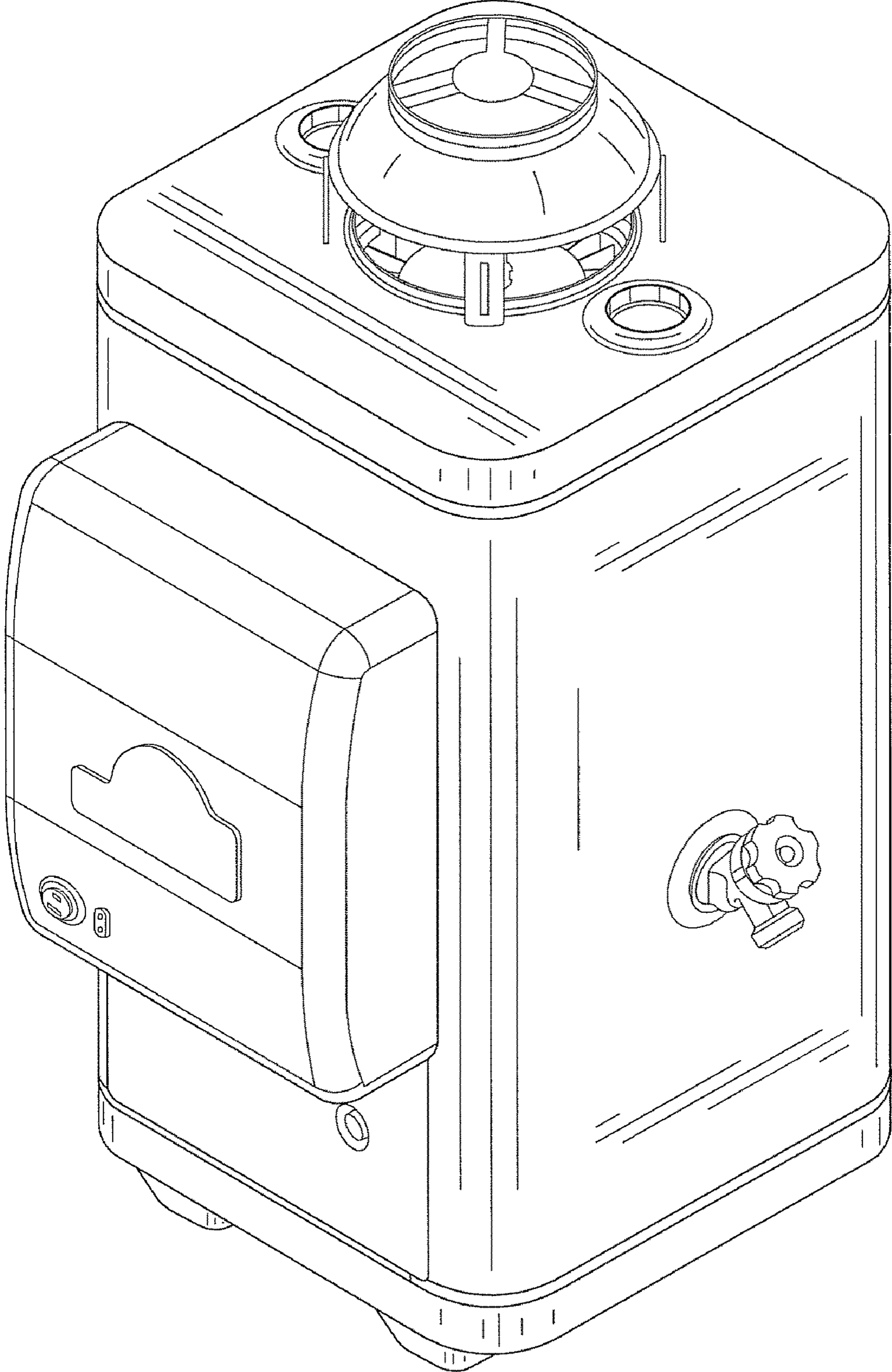


FIG. 1

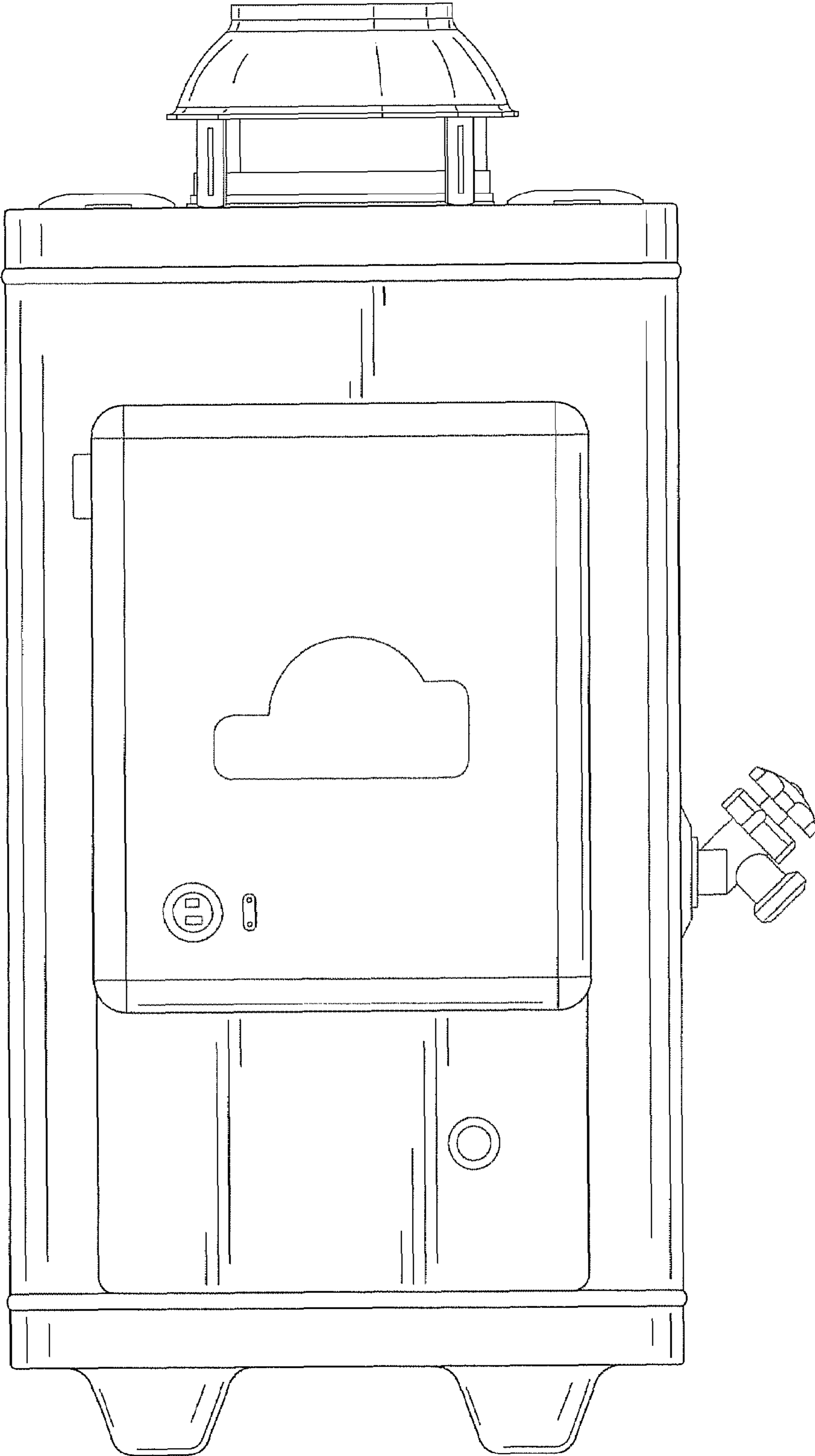


FIG. 2

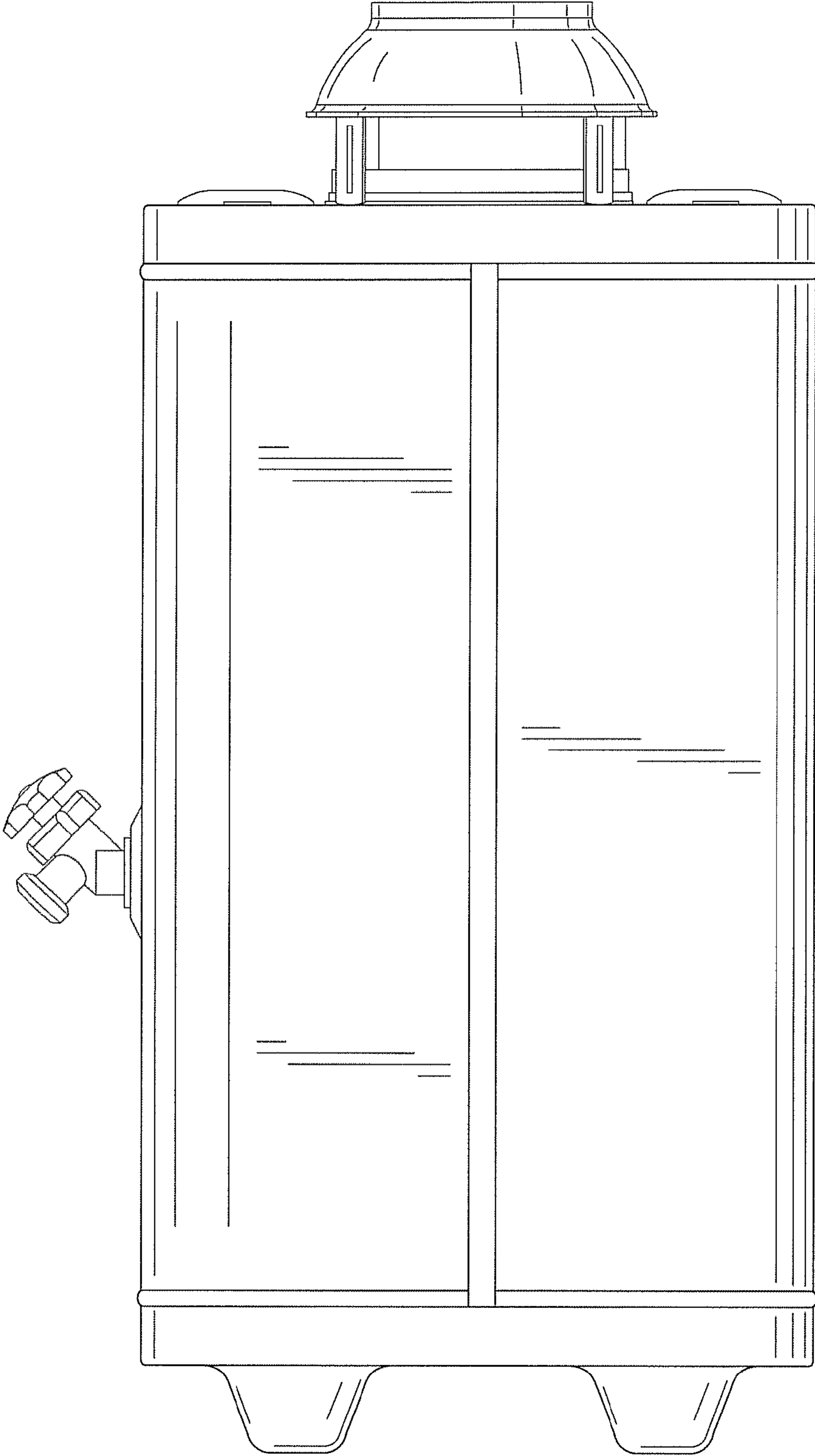


FIG. 3

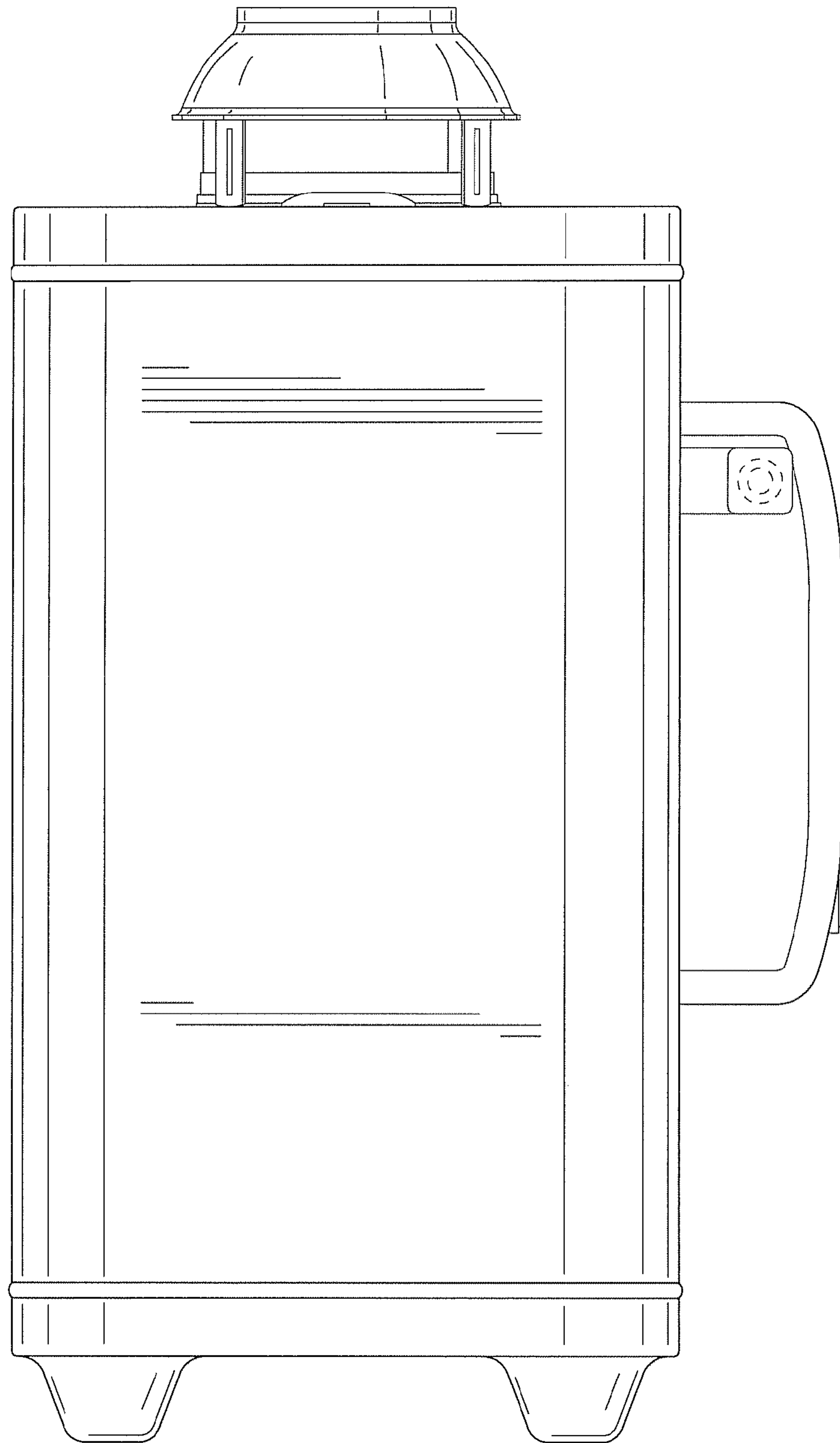


FIG. 4

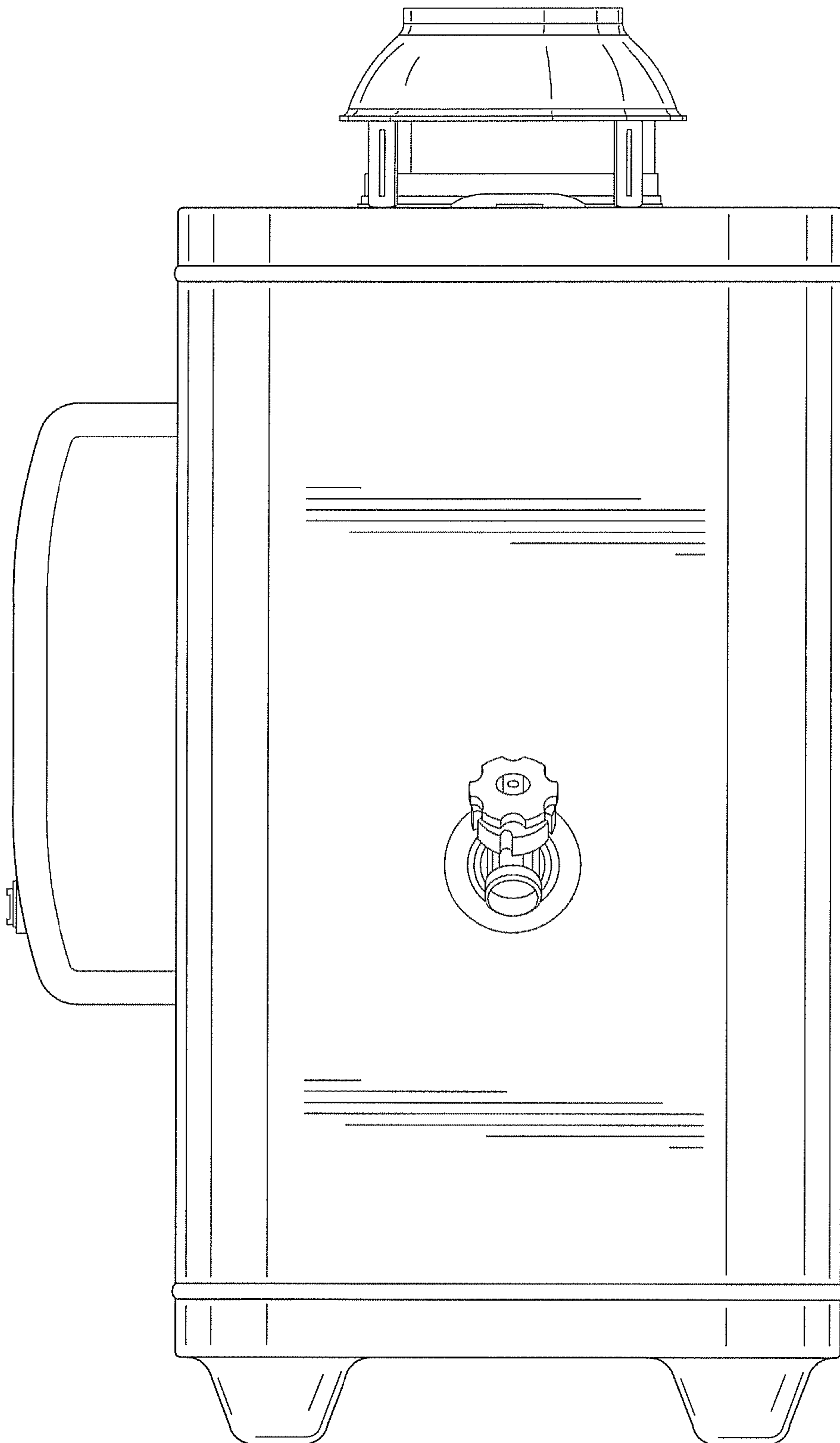


FIG. 5

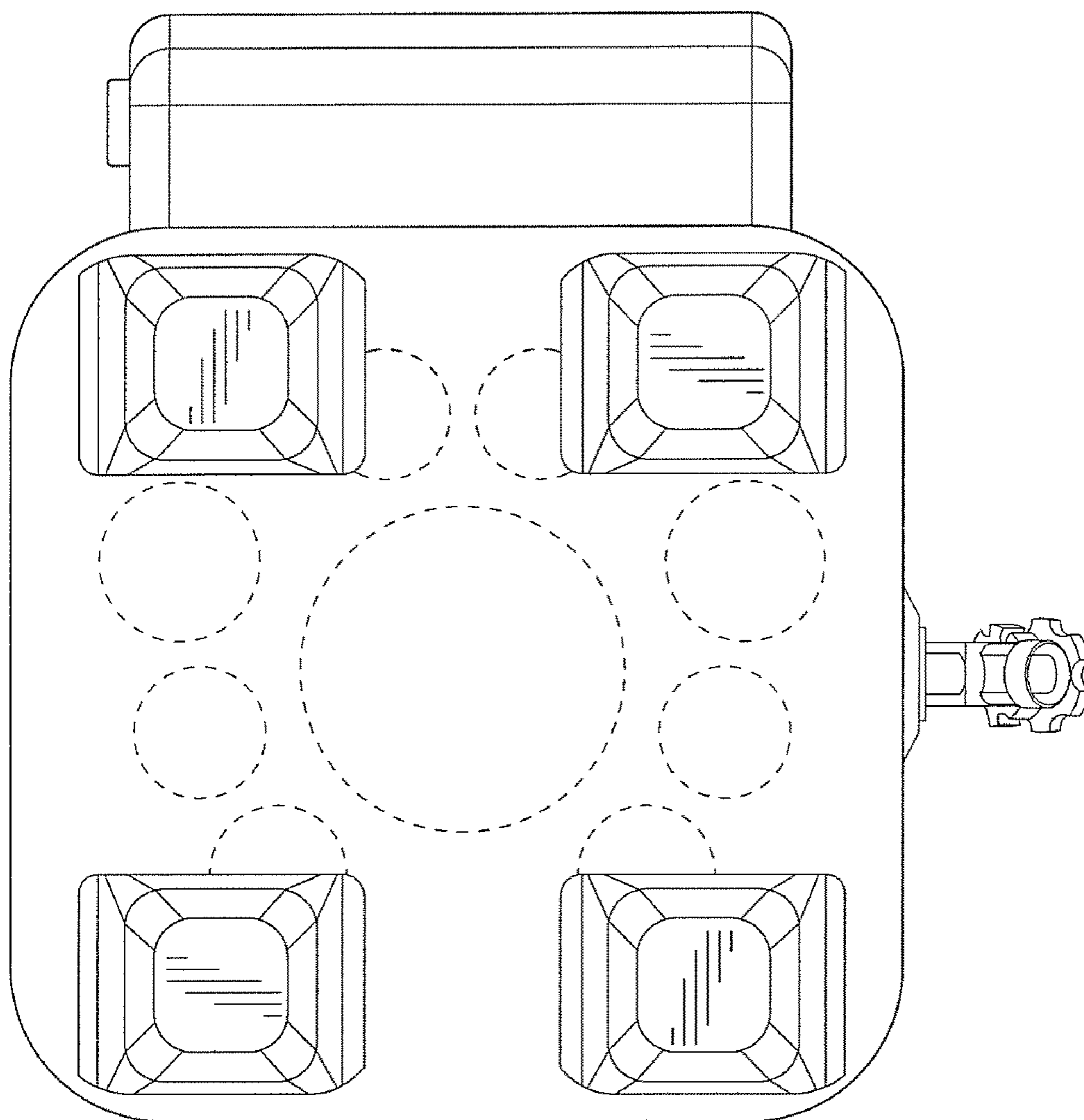
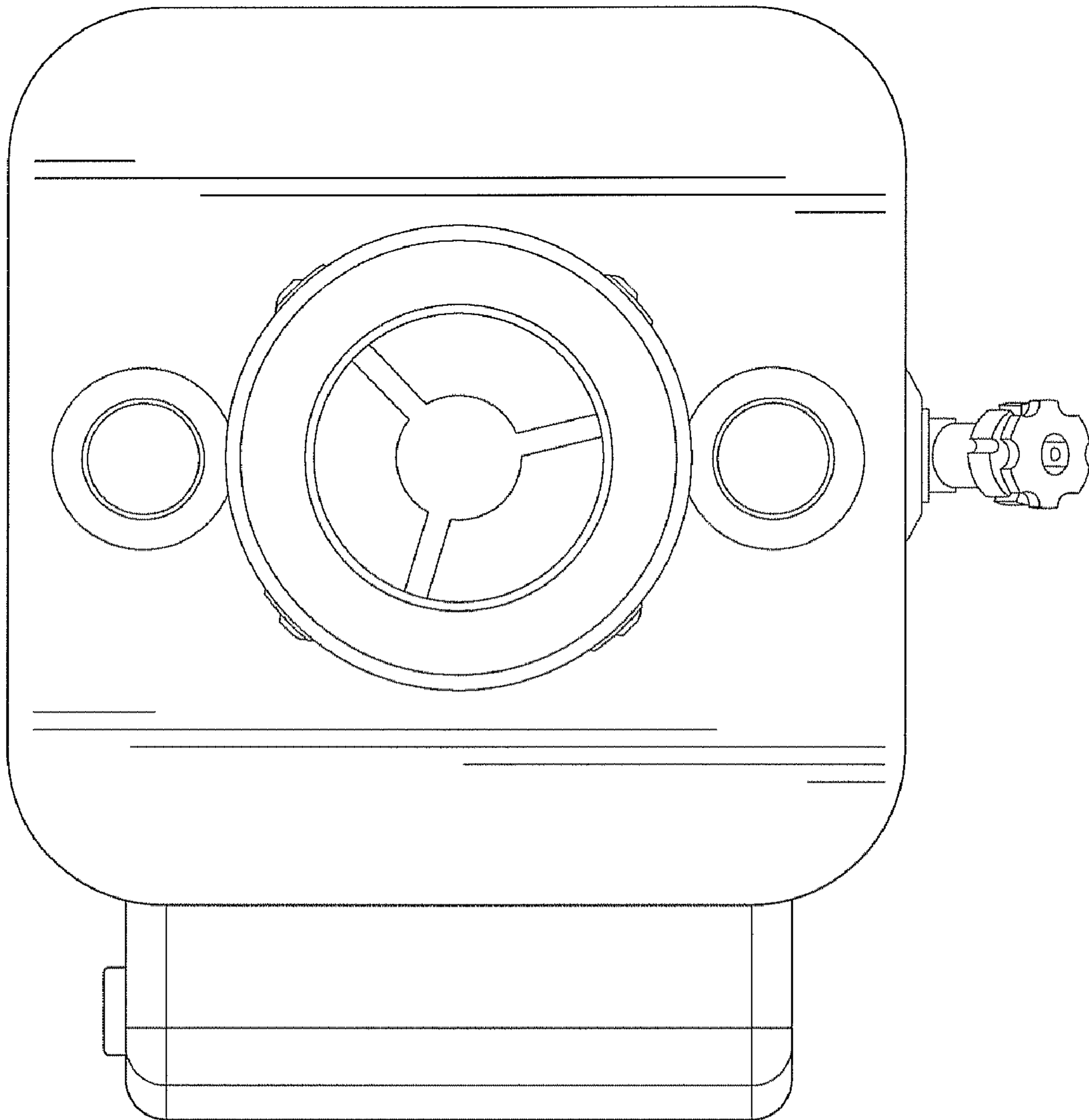


FIG. 6



**FIG. 7**