



US00D603489S

(12) **United States Design Patent**
Bucher

(10) **Patent No.:** **US D603,489 S**
(45) **Date of Patent:** **** Nov. 3, 2009**

(54) **TOILET TANK**

(75) Inventor: **Christophe Bucher**, Hillsborough, NJ
(US)

(73) Assignee: **AS IP Holdco, L.L.C.**, Piscataway, NJ
(US)

(**) Term: **14 Years**

(21) Appl. No.: **29/328,543**

(22) Filed: **Nov. 25, 2008**

(51) **LOC (9) Cl.** **23-02**

(52) **U.S. Cl.** **D23/301**

(58) **Field of Classification Search** D23/273-274,
D23/299-301, 303, 309, 313; 4/663-664,
4/328, 329, 353, 420, 661, DIG. 15
See application file for complete search history.

(56) **References Cited**

U.S. PATENT DOCUMENTS

D390,934 S * 2/1998 McKeone D23/313
D508,732 S * 8/2005 Rivas D23/301

* cited by examiner

Primary Examiner—Robert A Delehanty

(74) *Attorney, Agent, or Firm*—Flaster/Greenberg P.C.

(57) **CLAIM**

The ornamental design for a toilet tank, as shown and described.

DESCRIPTION

FIG. 1 is a perspective view of a preferred embodiment of a toilet tank;

FIG. 2 is a front elevational view of the toilet tank of FIG. 1;

FIG. 3 is a left side elevational view of the toilet tank of FIG. 1;

FIG. 4 is a right side elevational view of the toilet tank of FIG. 1;

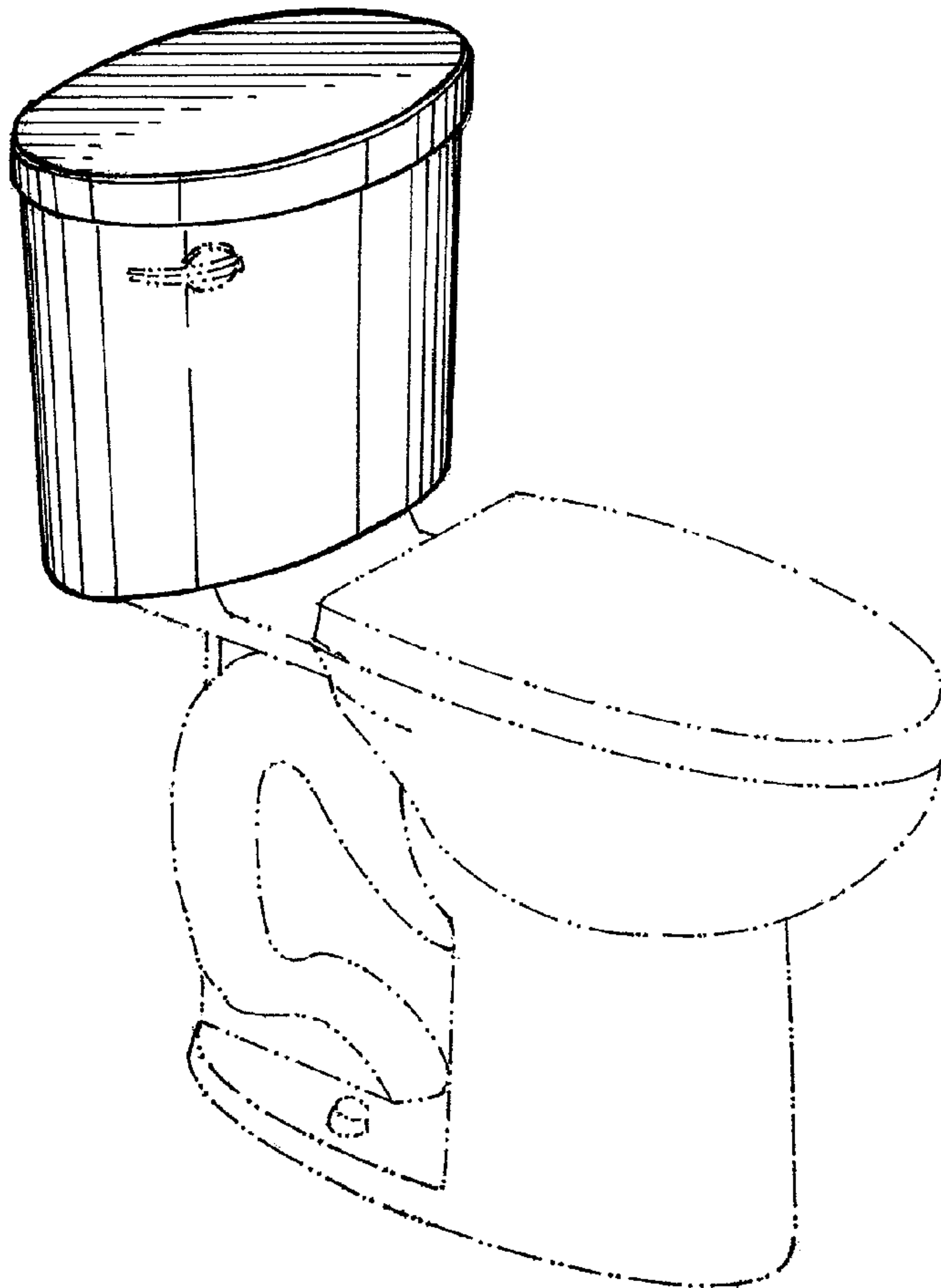
FIG. 5 is a rear elevational view of the toilet tank of FIG. 1;

FIG. 6 is a top plan view of the toilet tank of FIG. 1; and,

FIG. 7 is a bottom plan view of the toilet tank of FIG. 1.

The broken line showing of the toilet bowl and bottom of the toilet tank are included for the purpose of illustrating a portion of the claim that forms no part of the claimed design.

1 Claim, 4 Drawing Sheets



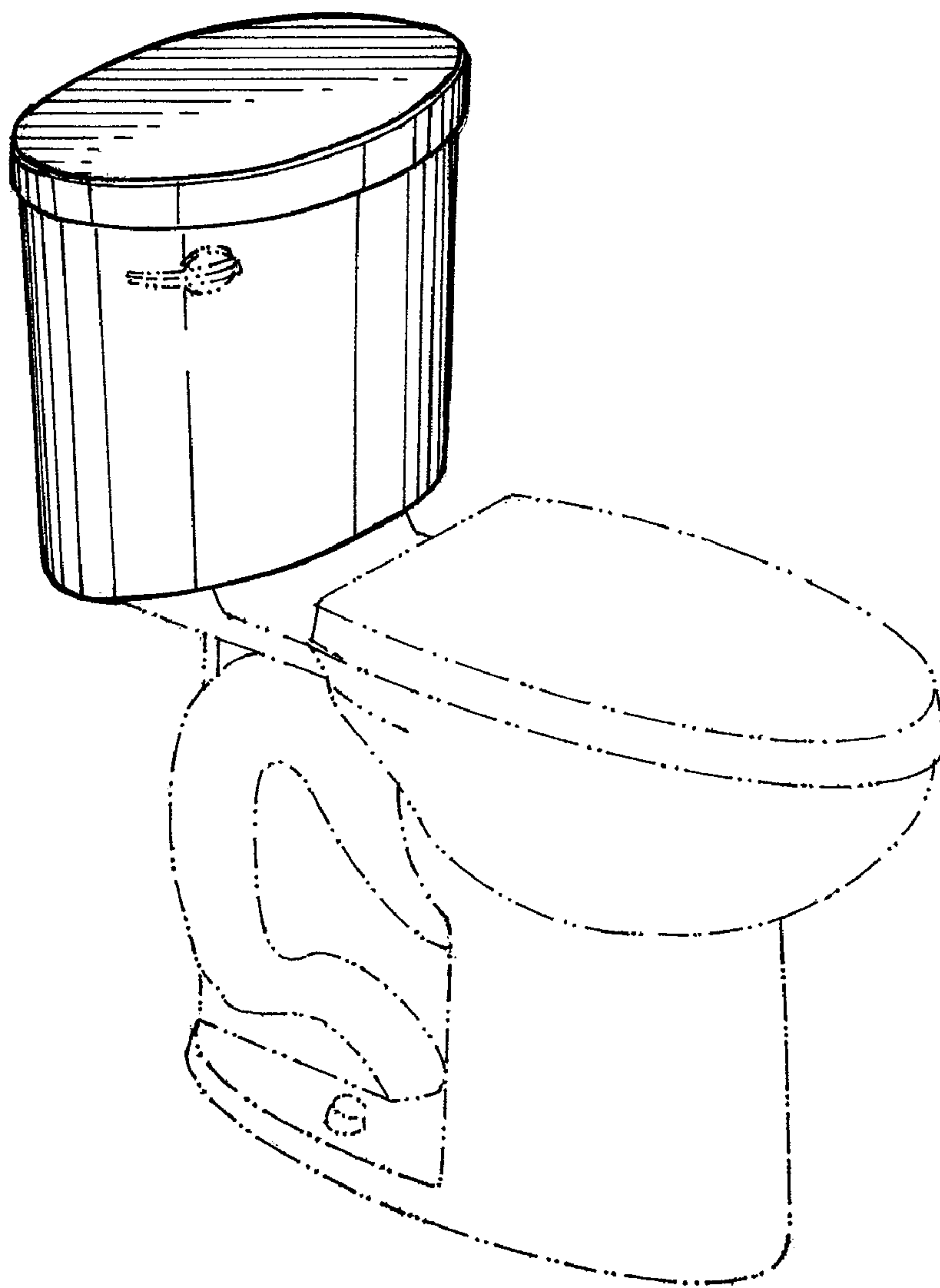


FIG. 1

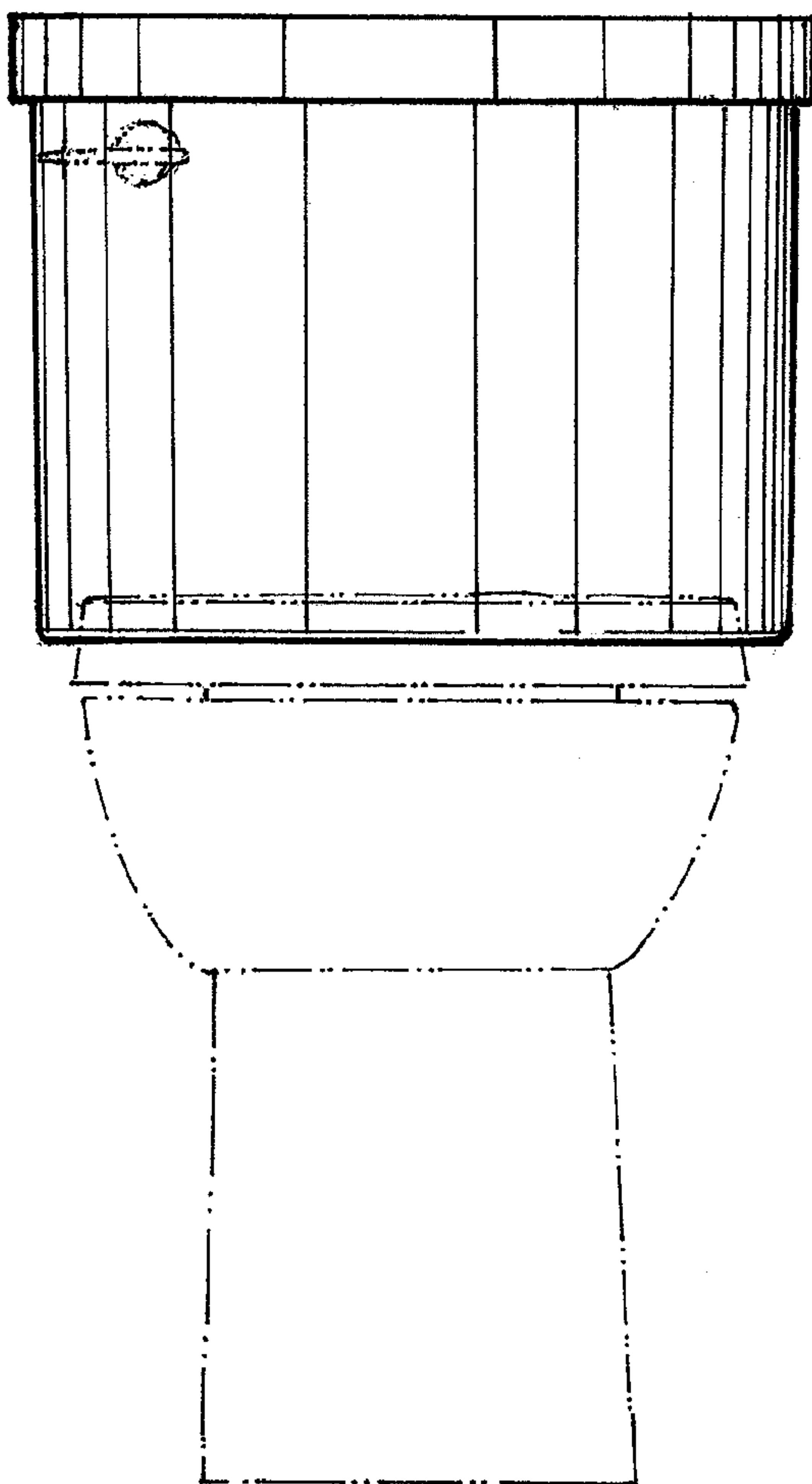


FIG. 2

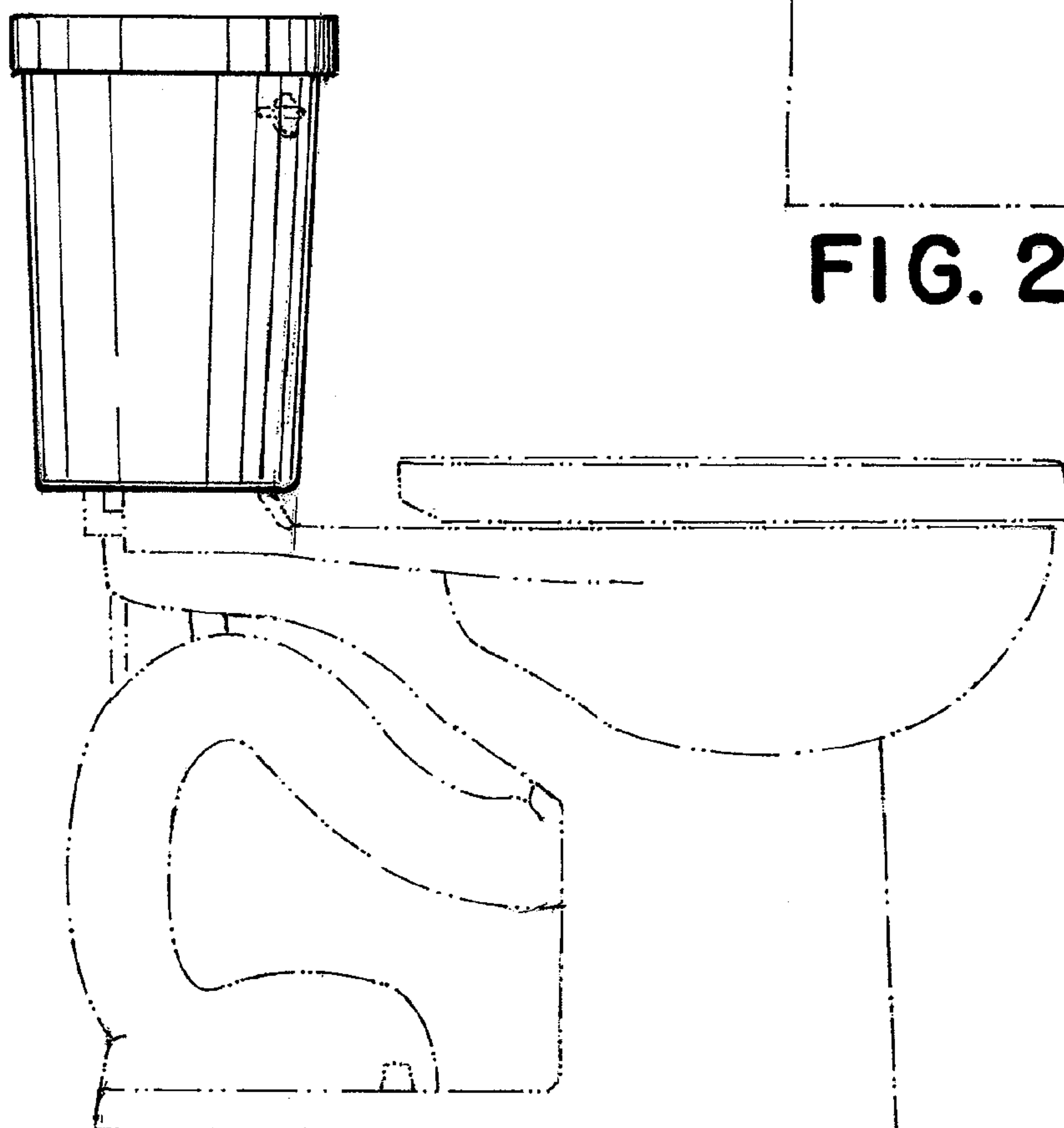


FIG. 3

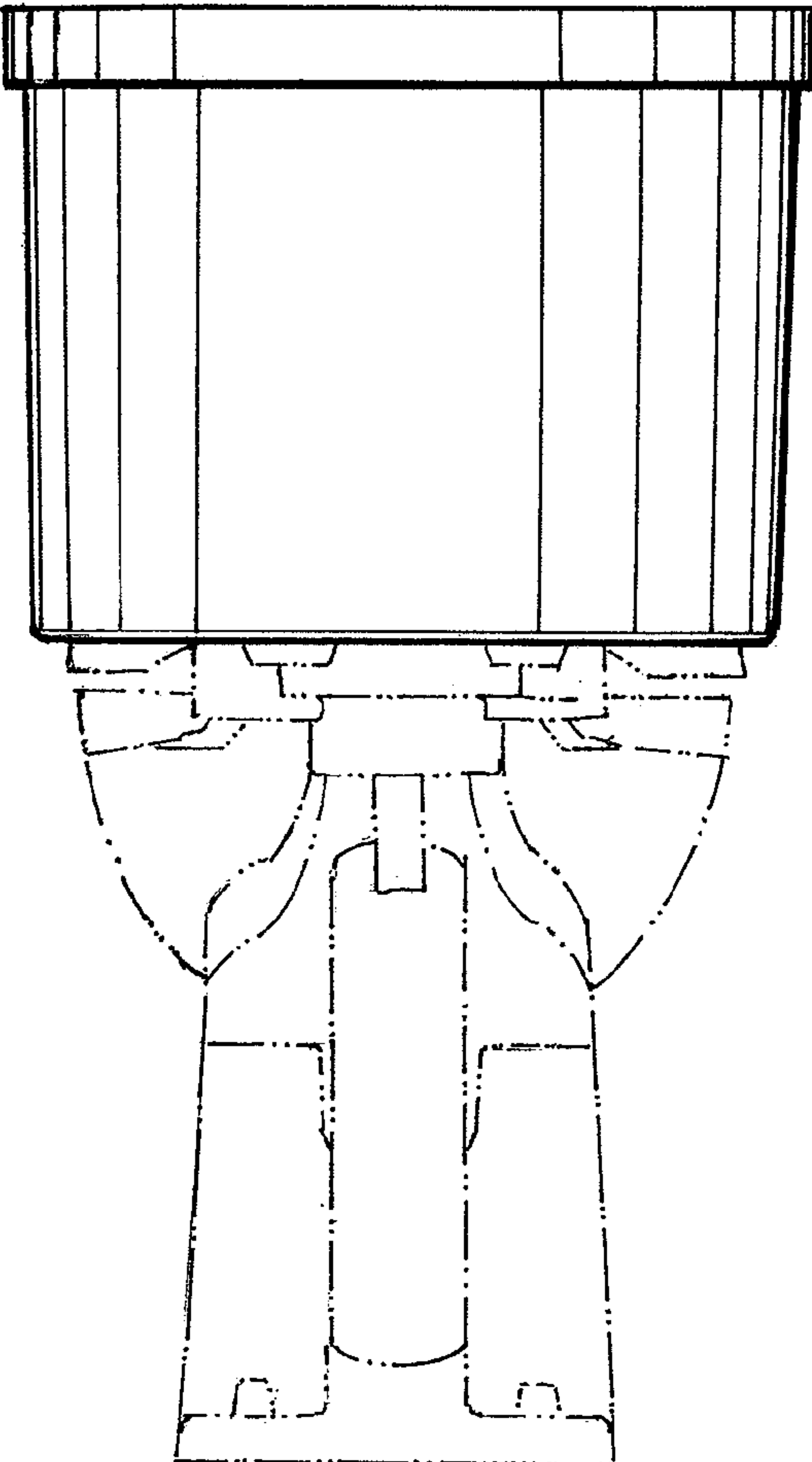


FIG. 5

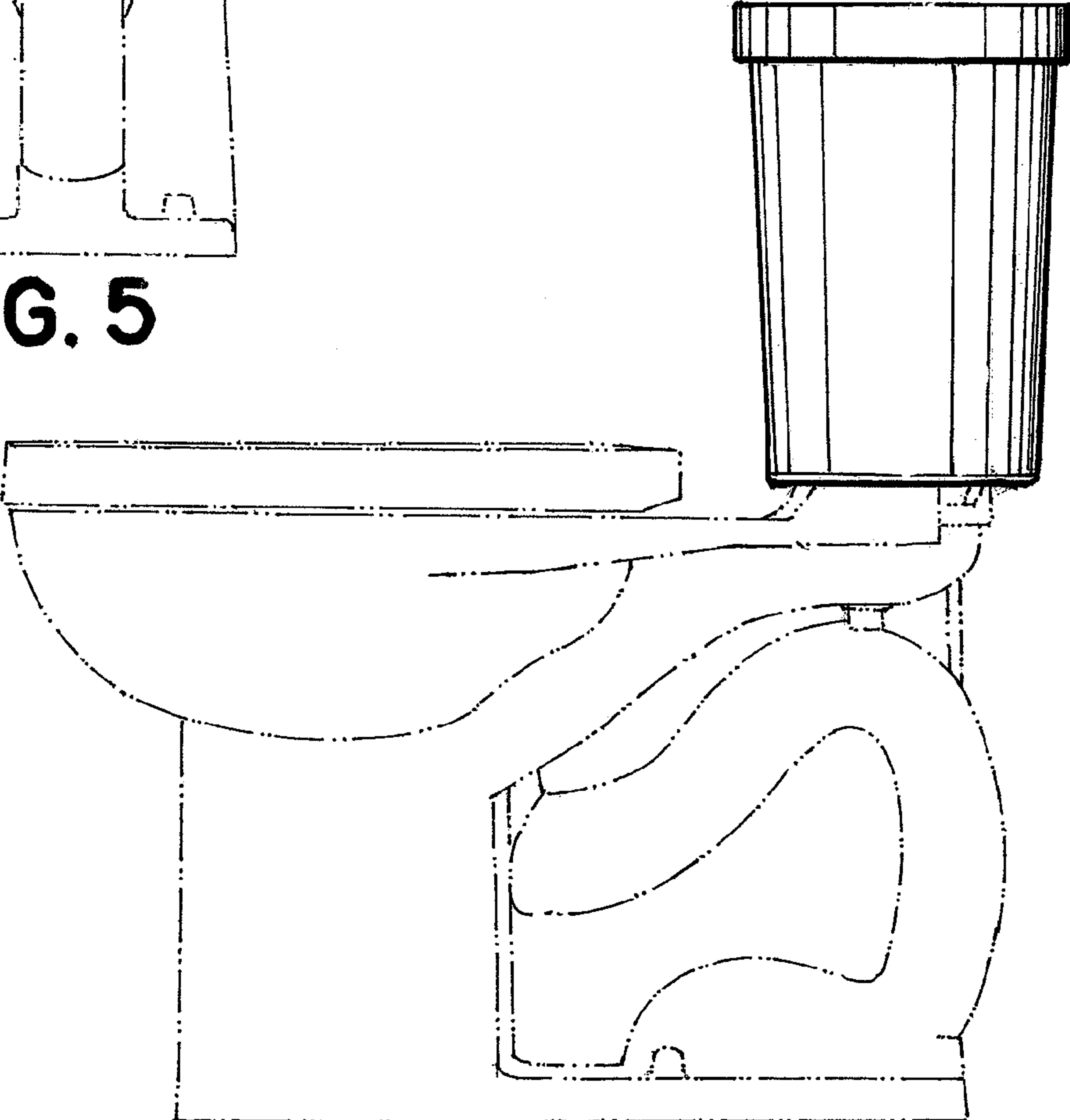


FIG. 4

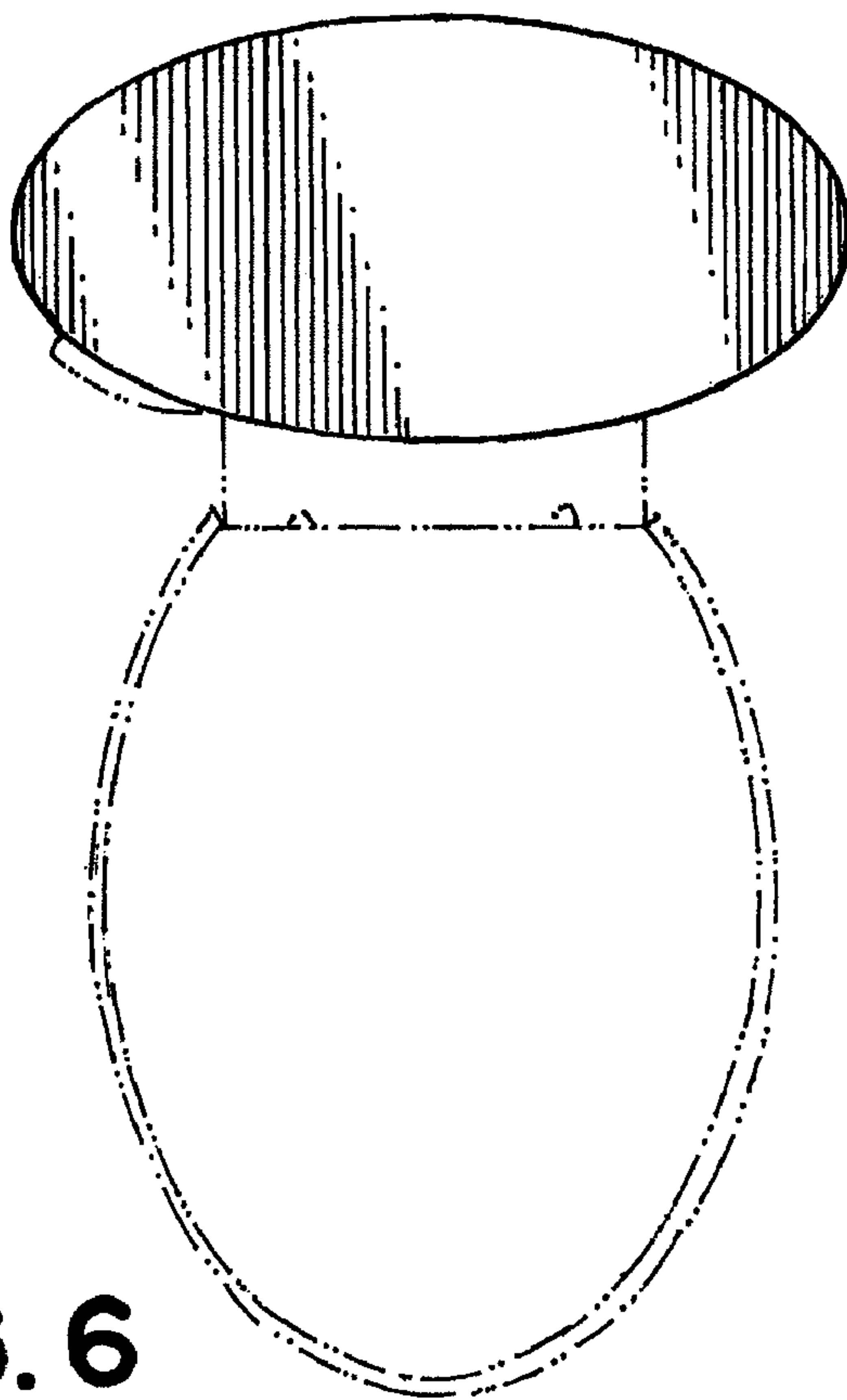


FIG. 6

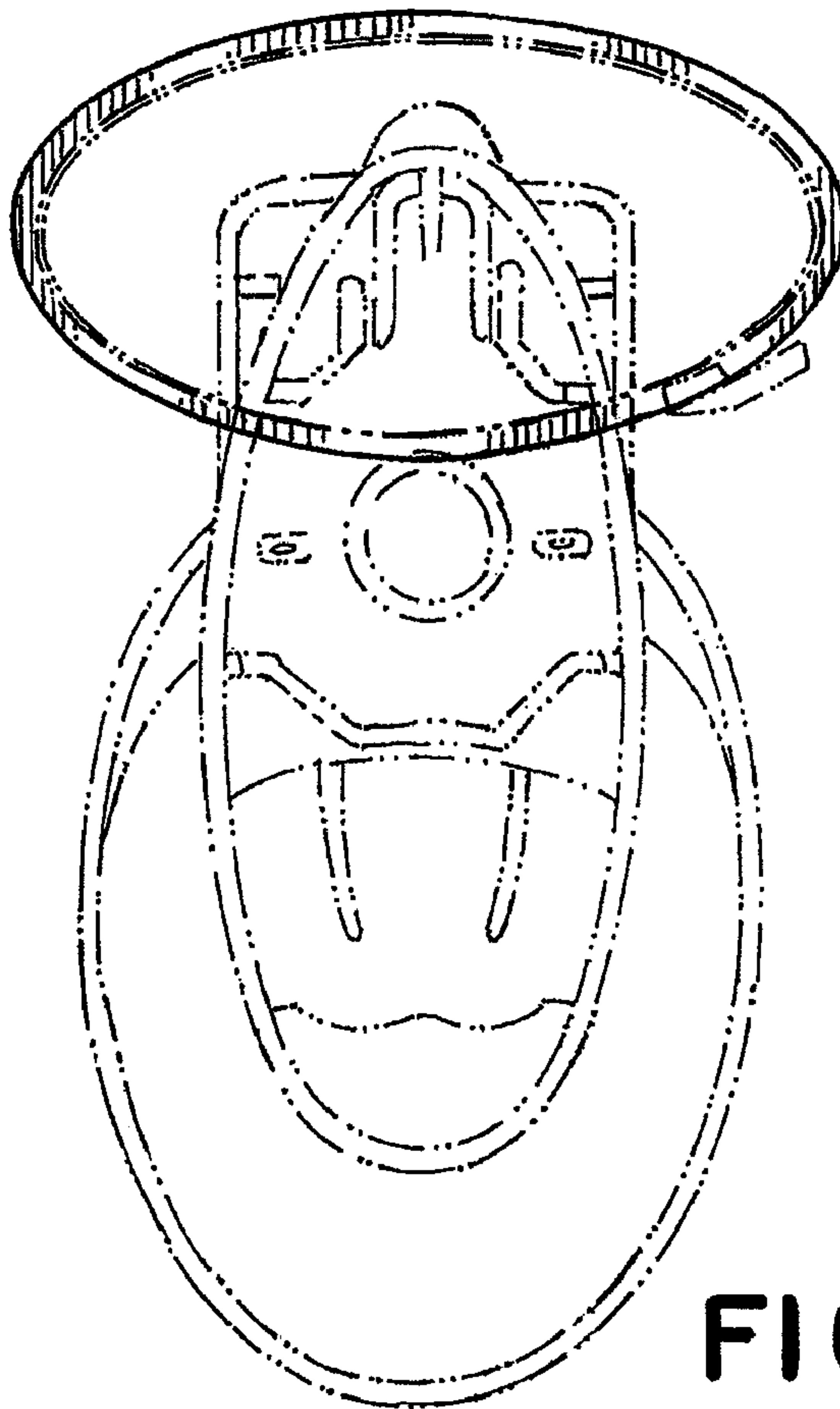


FIG. 7