



US00D603488S

(12) **United States Design Patent**  
**Maruhashi**

(10) **Patent No.:** **US D603,488 S**

(45) **Date of Patent:** **\*\* Nov. 3, 2009**

(54) **WATER CLOSET**

(75) Inventor: **Masahiro Maruhashi**, Kitakyusyu (JP)

(73) Assignee: **Toto Ltd.**, Kitakyusyu-Shi, Fukuoka (JP)

(\*\*) Term: **14 Years**

(21) Appl. No.: **29/317,817**

(22) Filed: **May 7, 2008**

(30) **Foreign Application Priority Data**

Nov. 7, 2007 (JP) ..... 2007-030755

(51) **LOC (9) Cl.** ..... **23-02**

(52) **U.S. Cl.** ..... **D23/295**

(58) **Field of Classification Search** ..... D23/273-274,  
D23/299-301, 303, 309, 313, 295; 4/663-664,  
4/328, 329, 353, 420, 661, DIG. 15  
See application file for complete search history.

(56) **References Cited**

**U.S. PATENT DOCUMENTS**

D382,333 S \* 8/1997 Kawamura et al. .... D23/295

D559,961 S \* 1/2008 Maruhashi ..... D23/295

\* cited by examiner

*Primary Examiner*—Robert A Delehanty

(74) *Attorney, Agent, or Firm*—Birch, Stewart, Kolasch & Birch, LLP

(57) **CLAIM**

The ornamental design for a water closet, as shown and described.

**DESCRIPTION**

FIG. 1 is a perspective view of the front, right side and top of a water closet showing my new design;

FIG. 2 is a front view thereof;

FIG. 3 is a rear view thereof;

FIG. 4 is a left side view thereof;

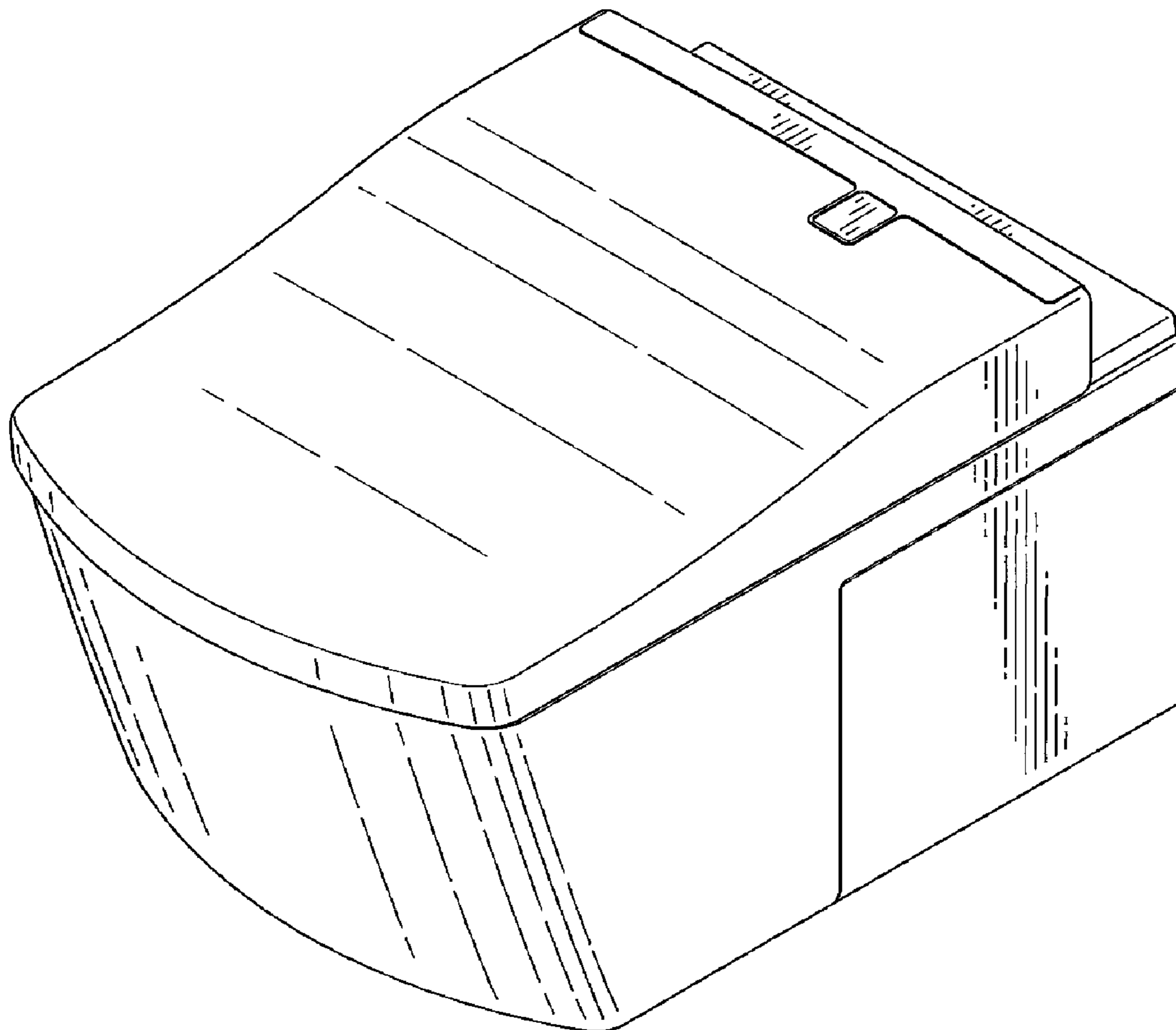
FIG. 5 is a right side view thereof;

FIG. 6 is a top plan view thereof; and,

FIG. 7 is a bottom view thereof.

The portions shown in broken lines form no part of the claimed design.

**1 Claim, 5 Drawing Sheets**



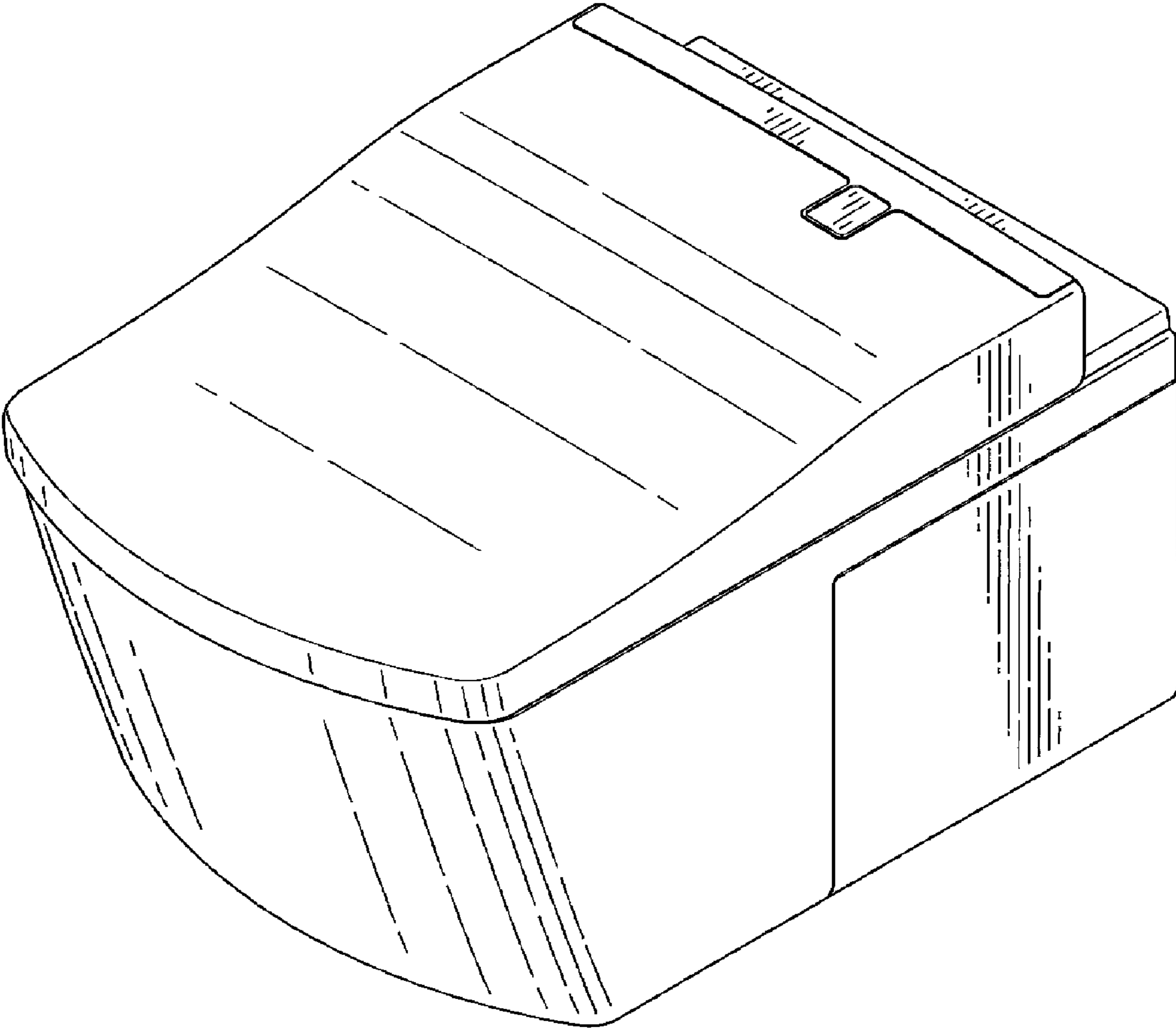
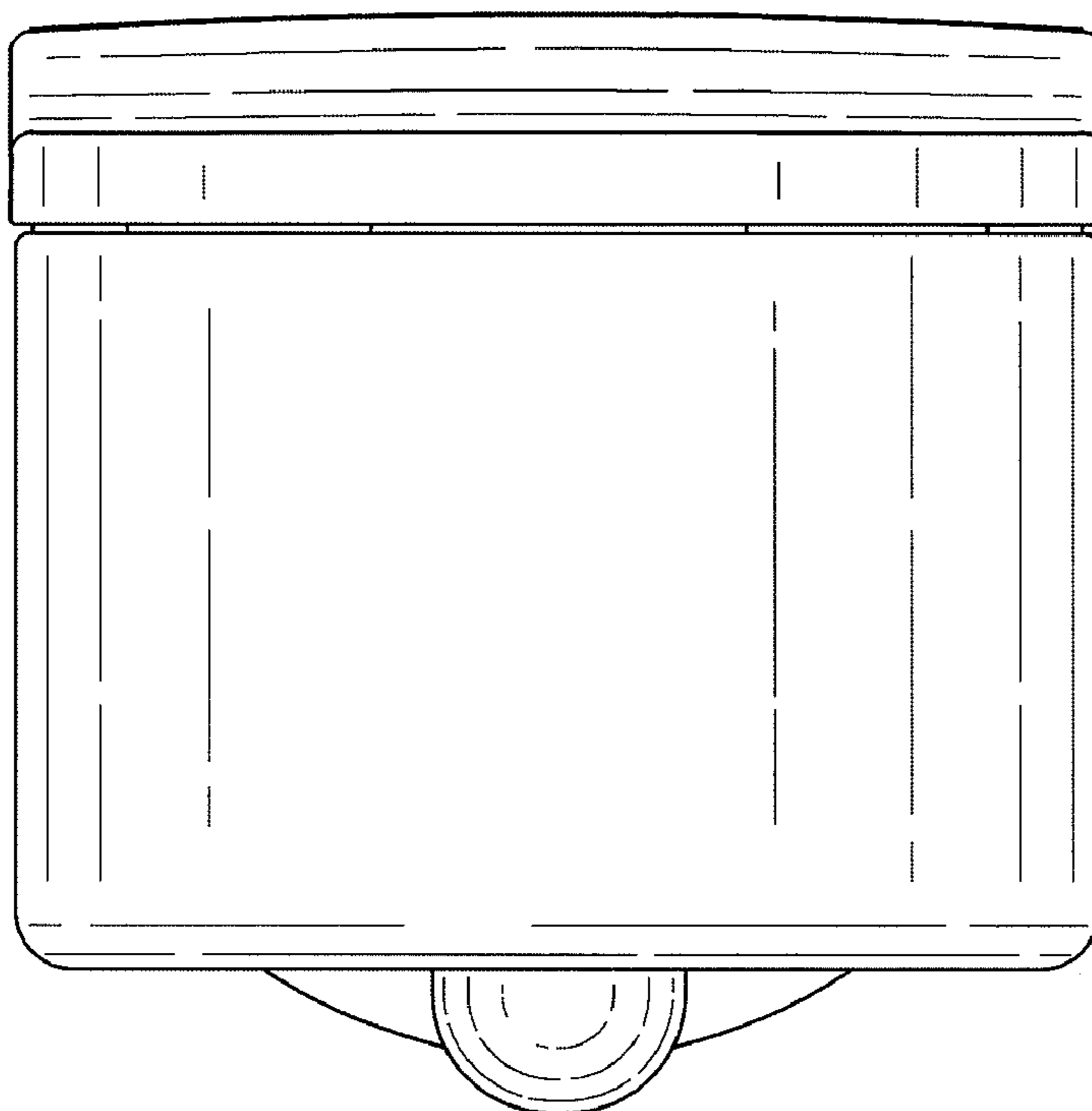
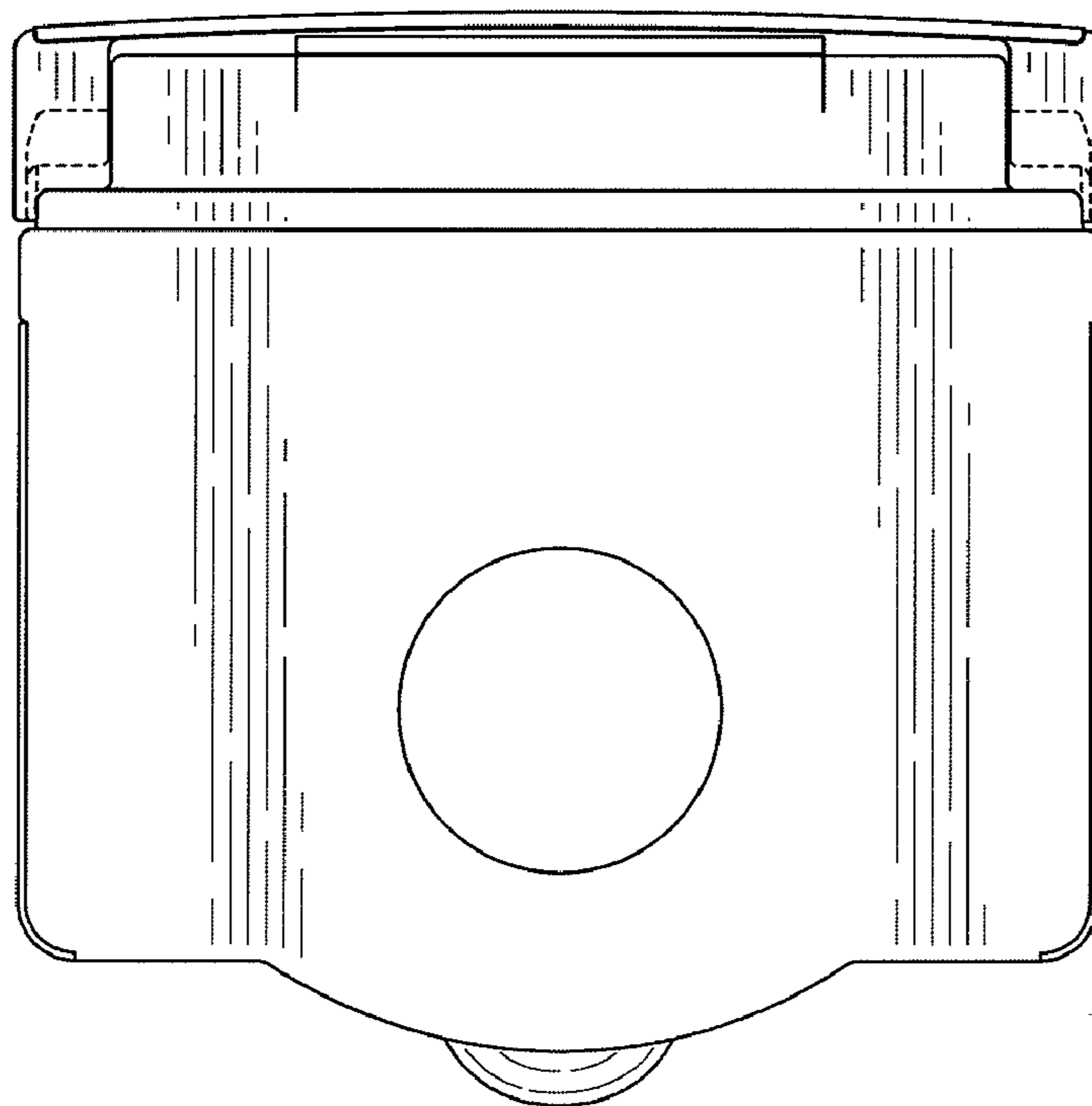


FIG. 1



**FIG. 2**



**FIG. 3**

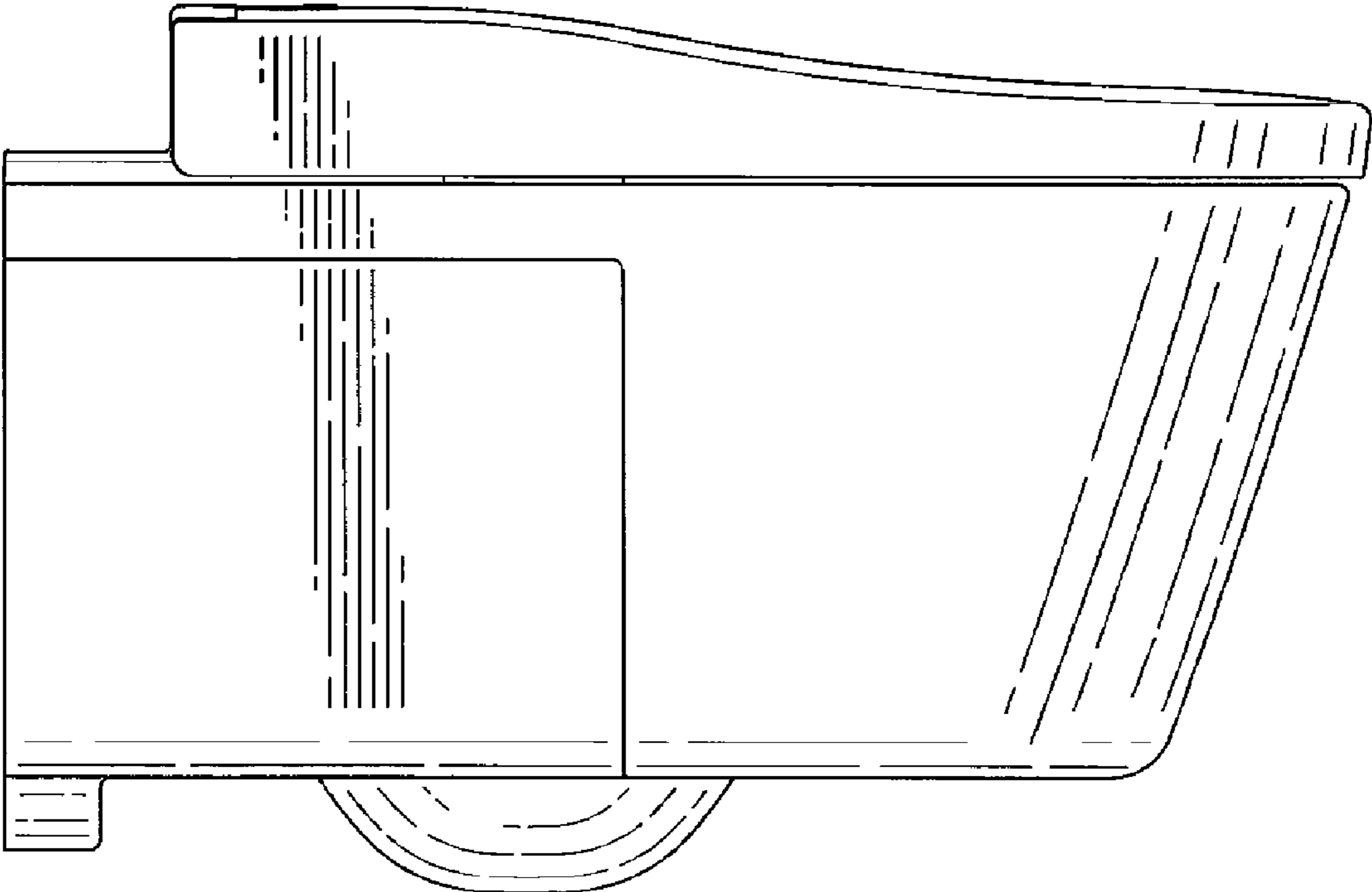


FIG. 4

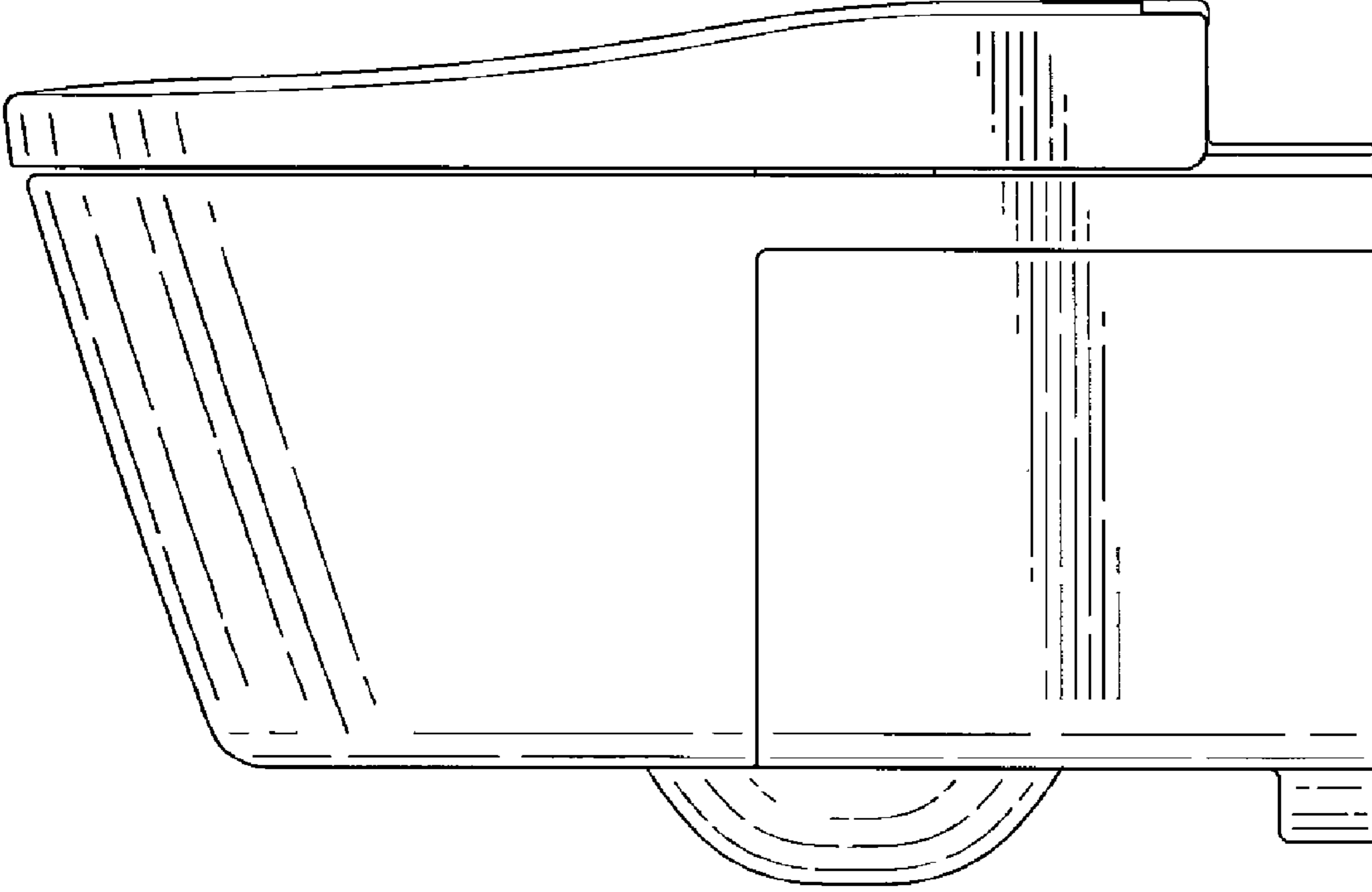
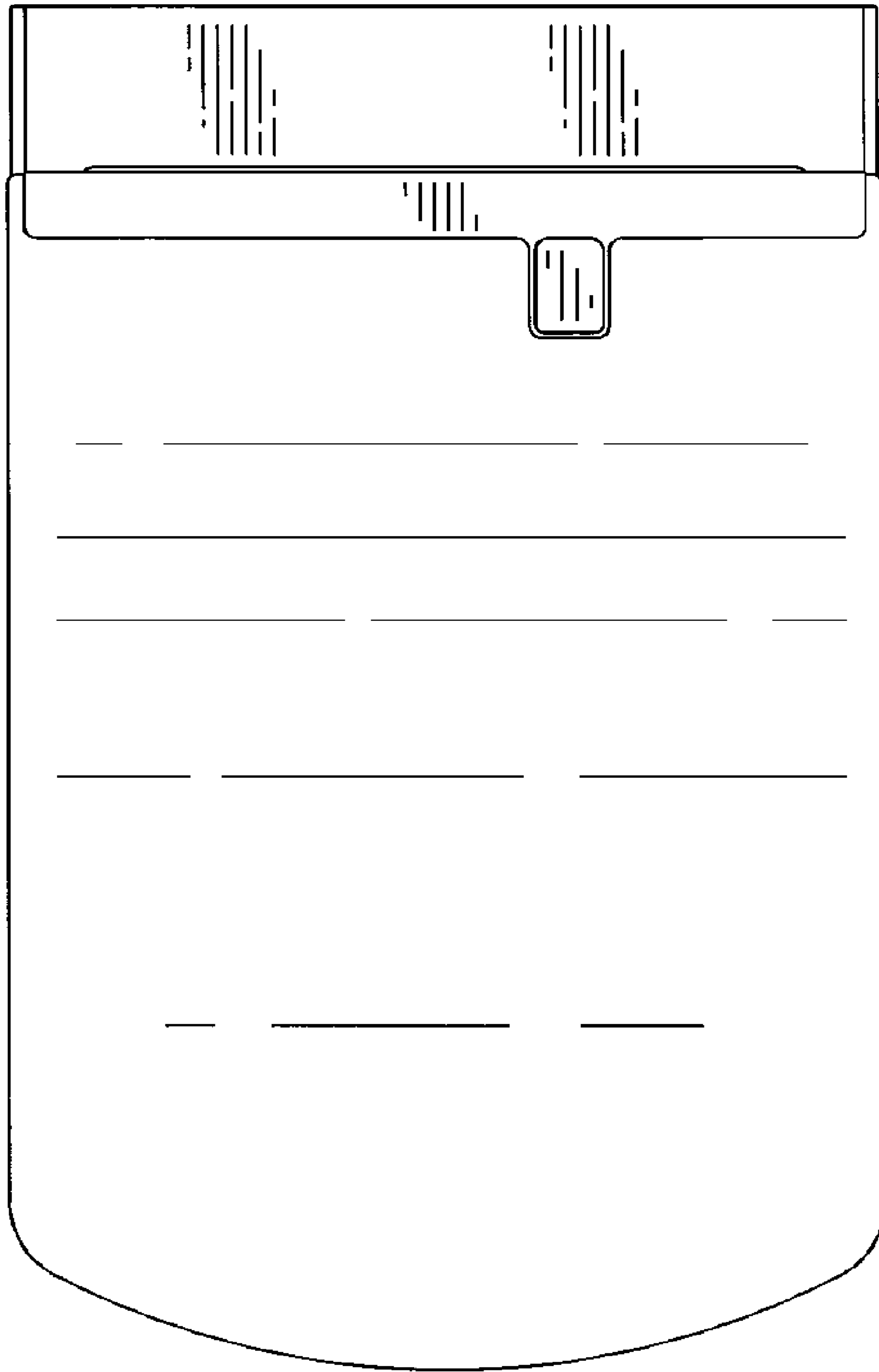
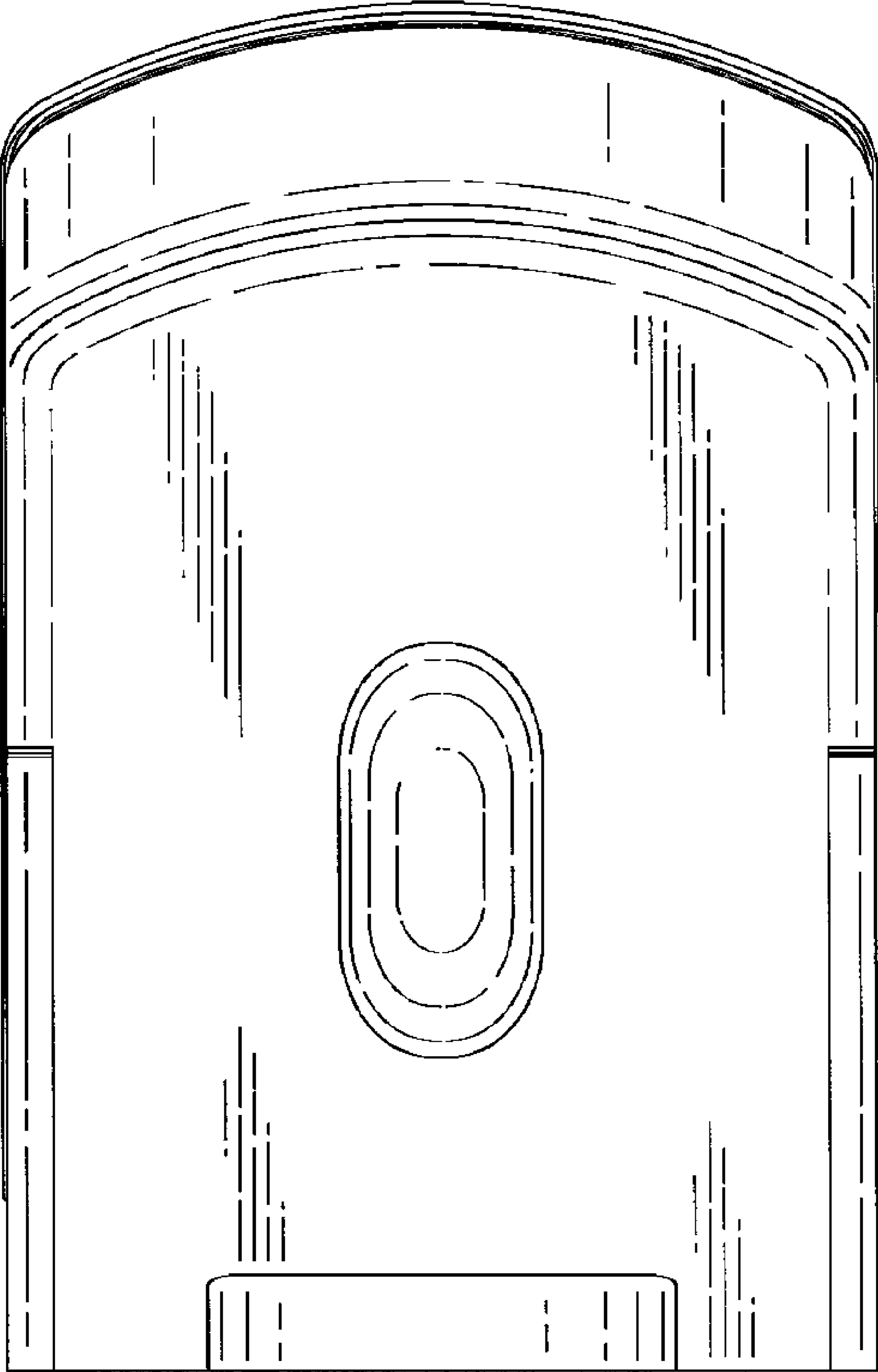


FIG. 5



**FIG. 6**



*FIG. 7*