



US00D603487S

(12) **United States Design Patent**  
**Aso et al.**

(10) **Patent No.:** **US D603,487 S**

(45) **Date of Patent:** **\*\* Nov. 3, 2009**

(54) **LAVATORY**

D545,415 S \* 6/2007 Tani et al. .... D23/293.1  
D545,416 S \* 6/2007 Maruhashi et al. .... D23/293.1

(75) Inventors: **Shigeru Aso**, Buzen (JP); **Masanobu Wano**, Kitakyusyu (JP); **Takeshi Kaneda**, Kitakyusyu (JP)

\* cited by examiner

*Primary Examiner*—Robert A Delehanty

(73) Assignee: **Toto Ltd.**, Kitakyushyu-Shi, Fukuoka (JP)

(74) *Attorney, Agent, or Firm*—Birch, Stewart, Kolasch & Birch, LLP

(\*\*) Term: **14 Years**

(57) **CLAIM**

(21) Appl. No.: **29/327,959**

The ornamental design for a lavatory, as shown and described.

(22) Filed: **Nov. 14, 2008**

**DESCRIPTION**

(30) **Foreign Application Priority Data**

May 16, 2008 (JP) ..... 2008-012270

FIG. 1 is a perspective view of the top, front and right side of a lavatory showing our new design;

(51) **LOC (9) Cl.** ..... **23-01**

(52) **U.S. Cl.** ..... **D23/293.1**

(58) **Field of Classification Search** ..... D23/270–271, D23/273–274, 284, 286–287, 292–293.1, D23/303, 308; 4/619, 631, 637, 661  
See application file for complete search history.

FIG. 2 is a front view thereof;

FIG. 3 is a rear view thereof;

FIG. 4 is a top plan view thereof;

FIG. 5 is a bottom view thereof;

FIG. 6 is a left side view thereof;

FIG. 7 is a right side view thereof;

FIG. 8 is a cross sectional view at 8—8 in FIG. 4 thereof; and,

FIG. 9 is a reference view of usage thereof.

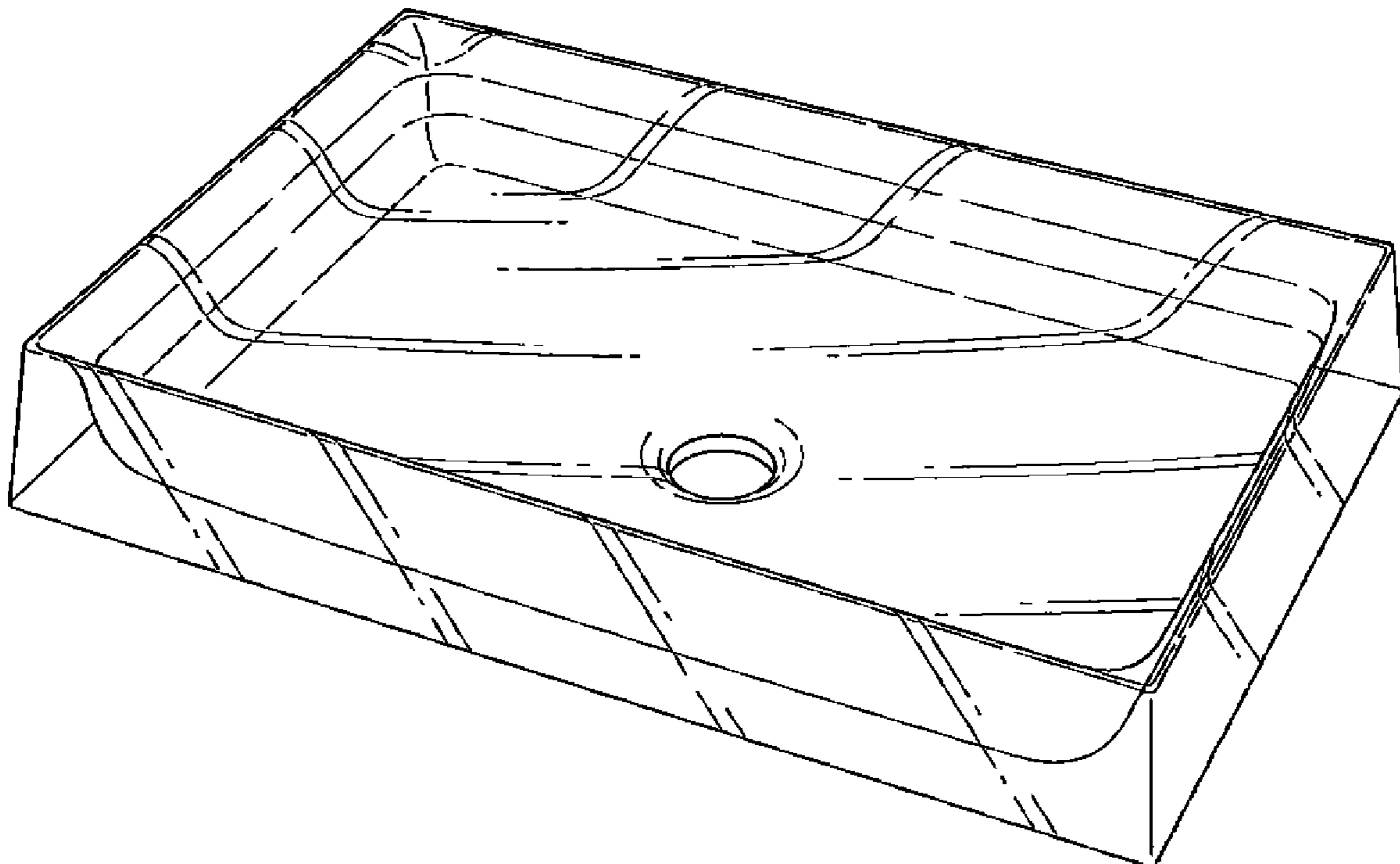
The portion of the article in broken lines are shown for illustrative purposes only and form no part of the claimed design.

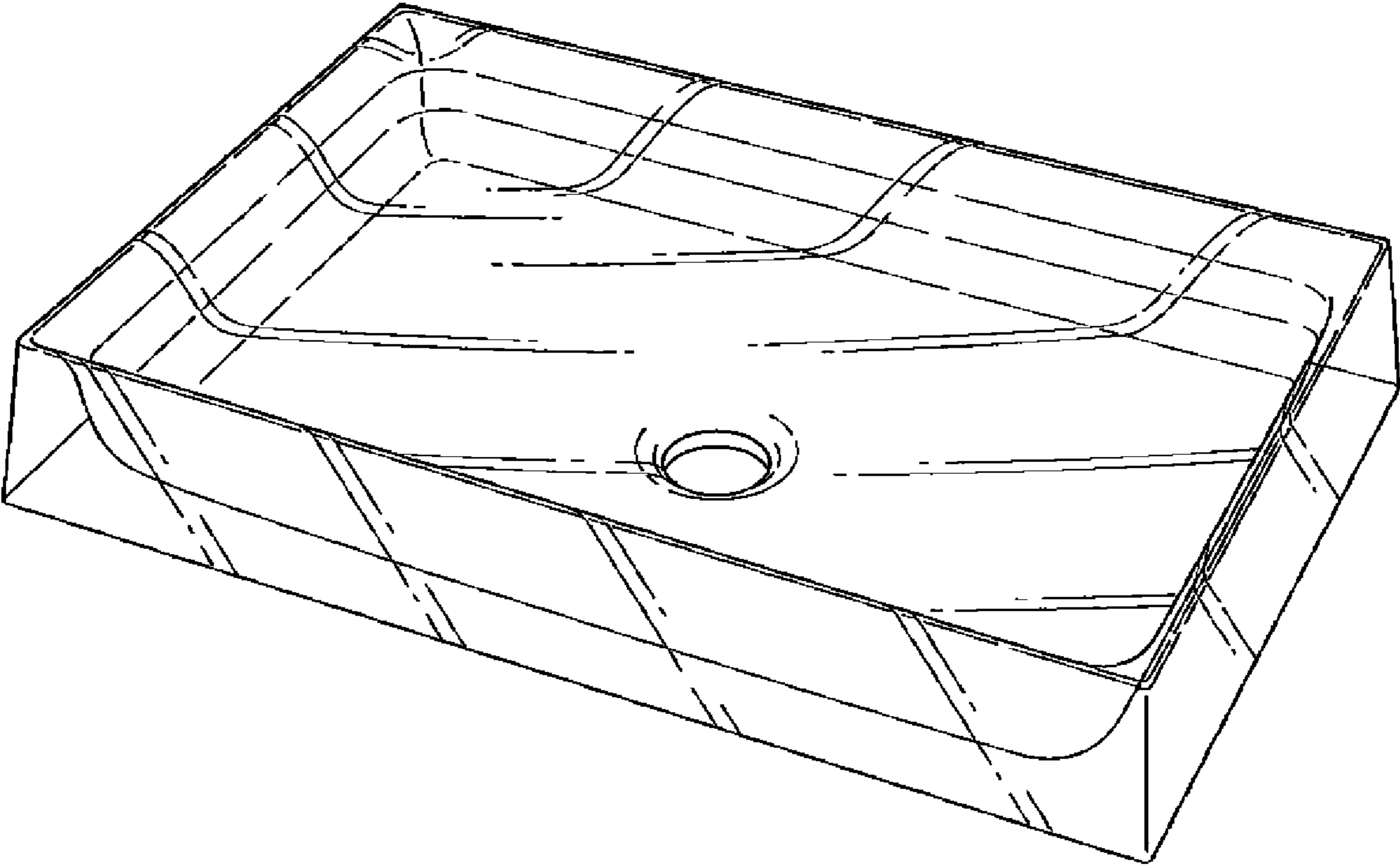
(56) **References Cited**

**U.S. PATENT DOCUMENTS**

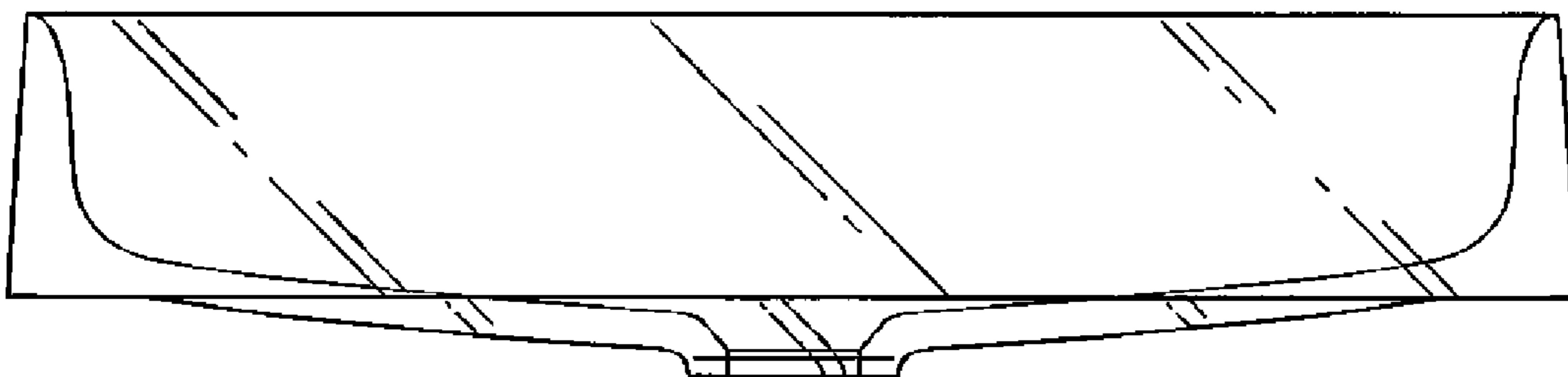
D35,730 S \* 2/1902 Rorrence ..... D23/293.1  
D36,995 S \* 6/1904 Gregg ..... D23/293.1  
D508,984 S \* 8/2005 Gordon ..... D23/293.1

**1 Claim, 5 Drawing Sheets**

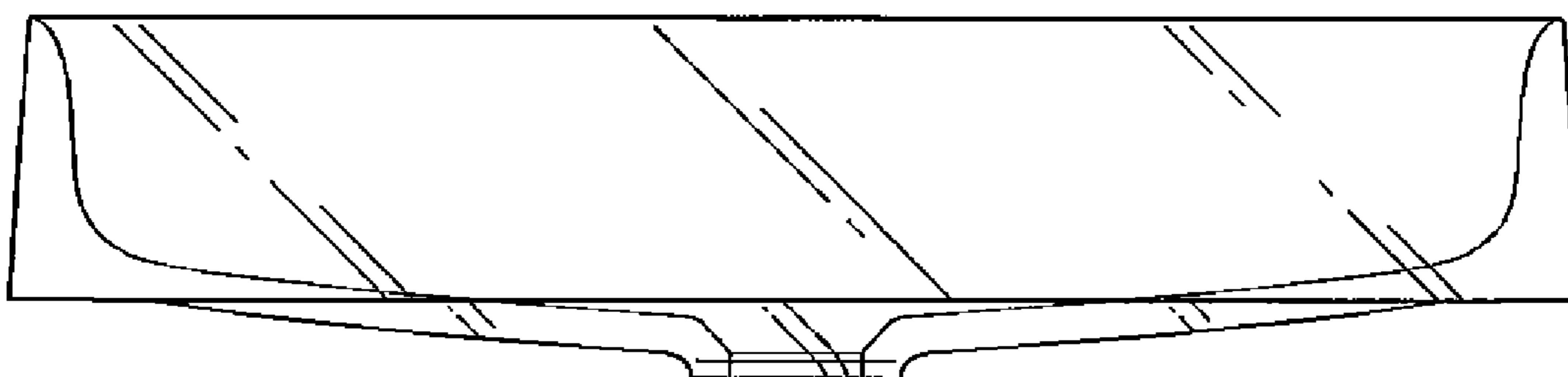




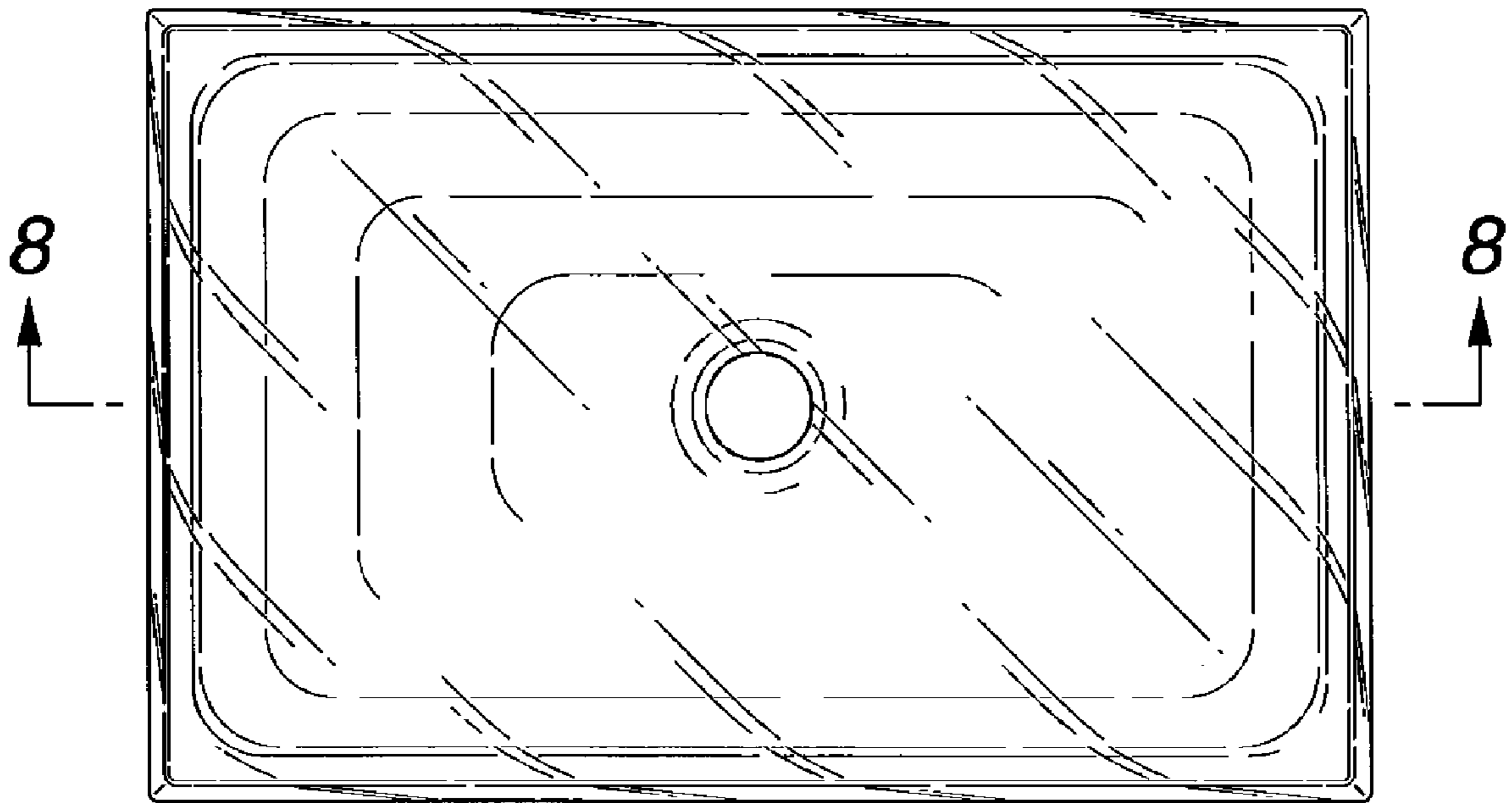
**FIG. 1**



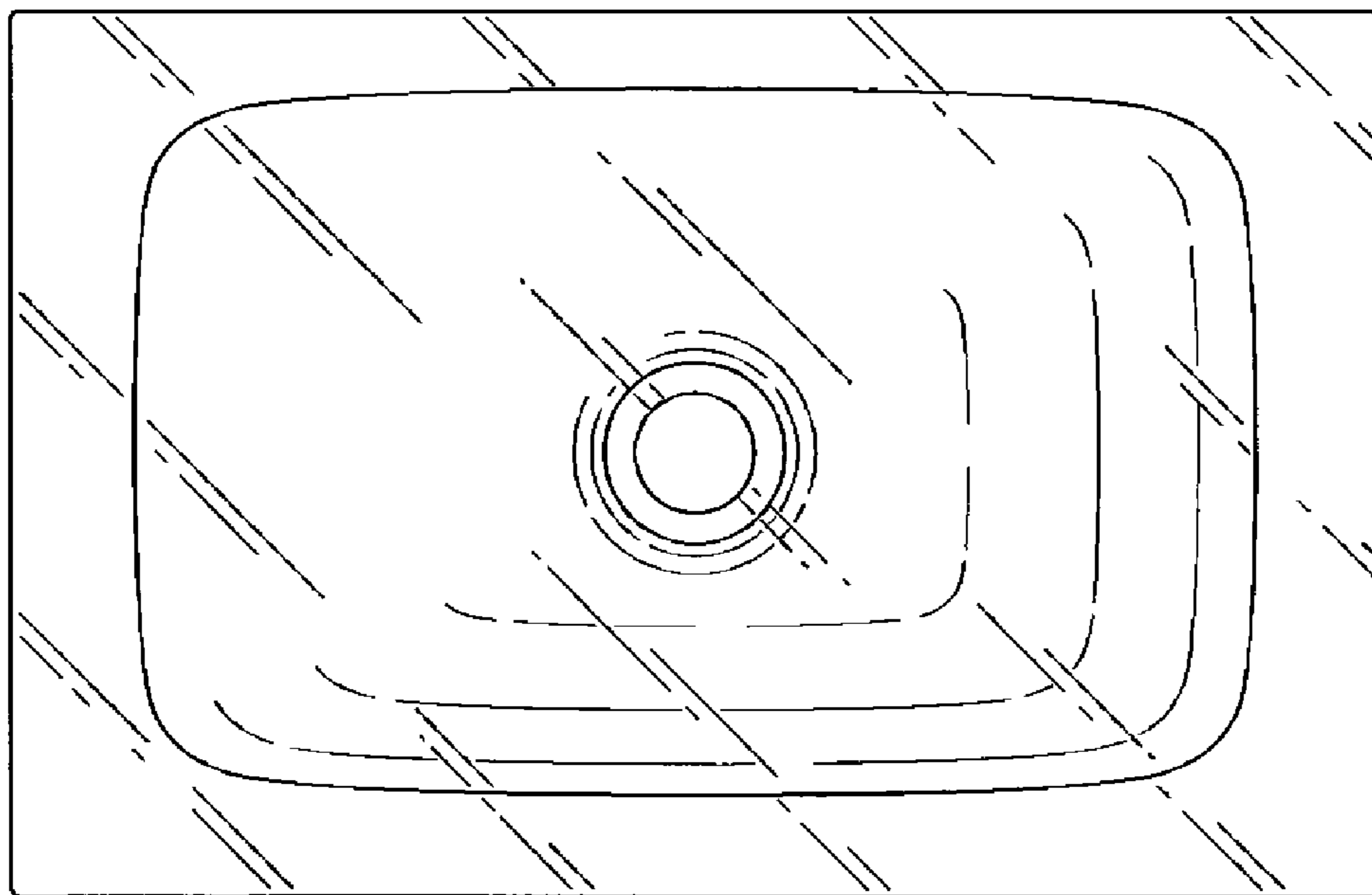
*FIG. 2*



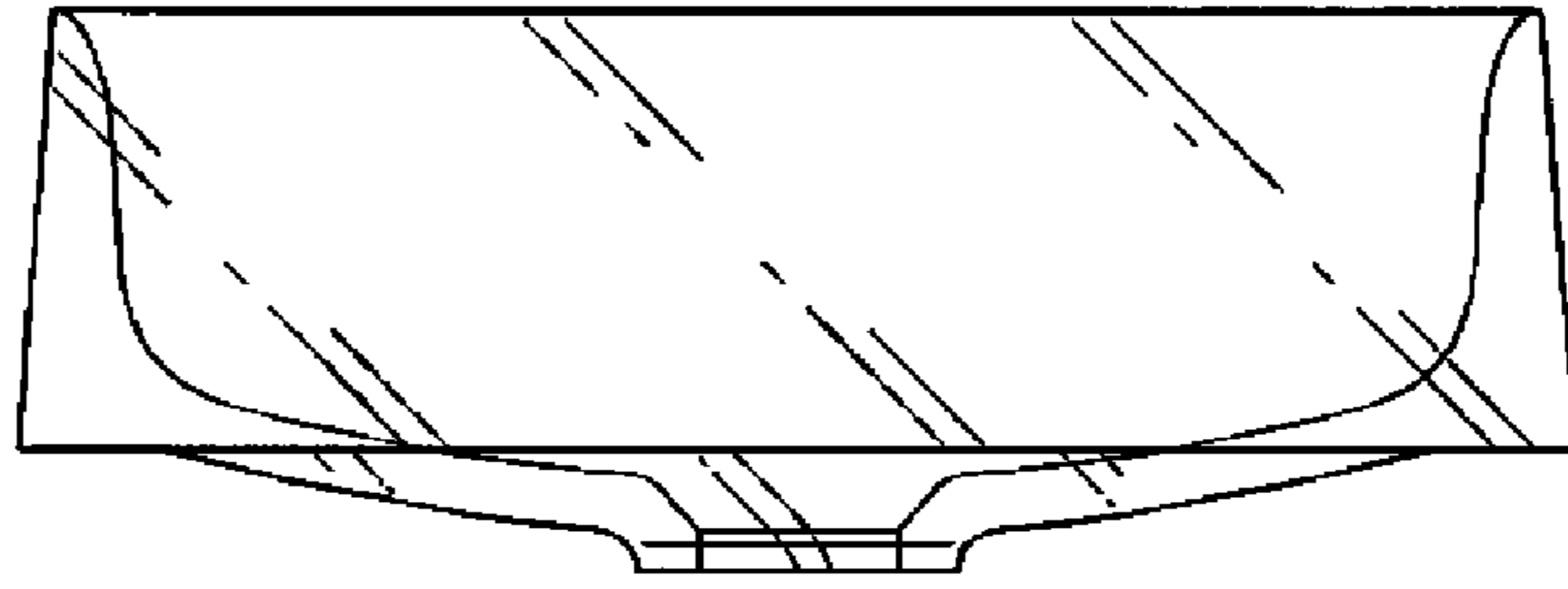
*FIG. 3*



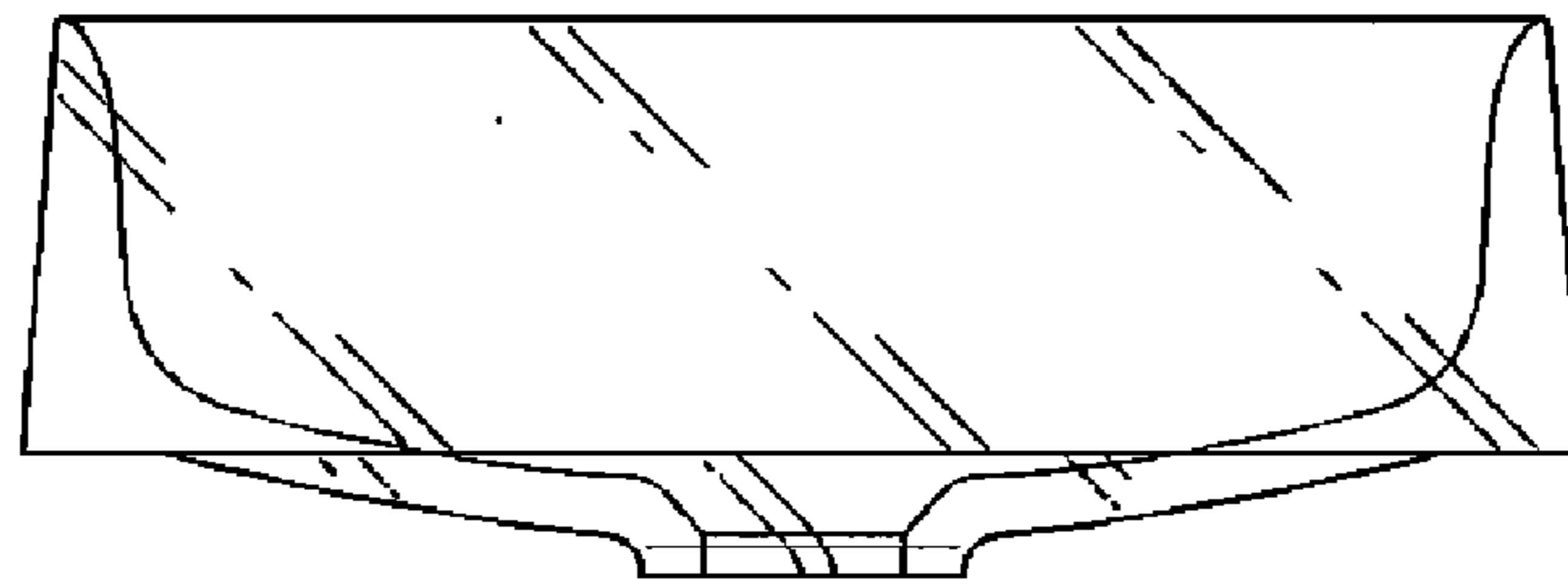
**FIG. 4**



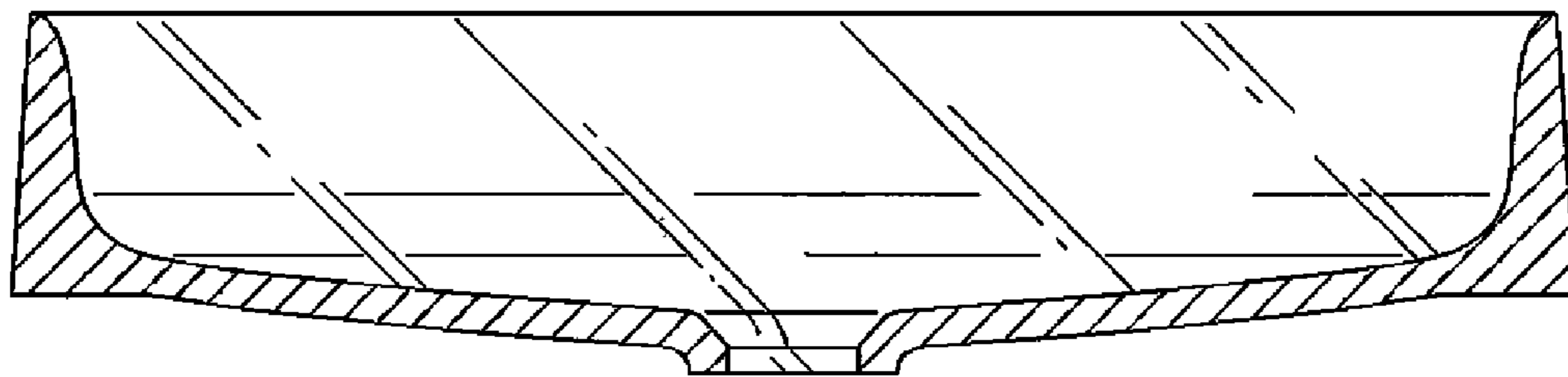
**FIG. 5**



**FIG. 6**



**FIG. 7**



**FIG. 8**

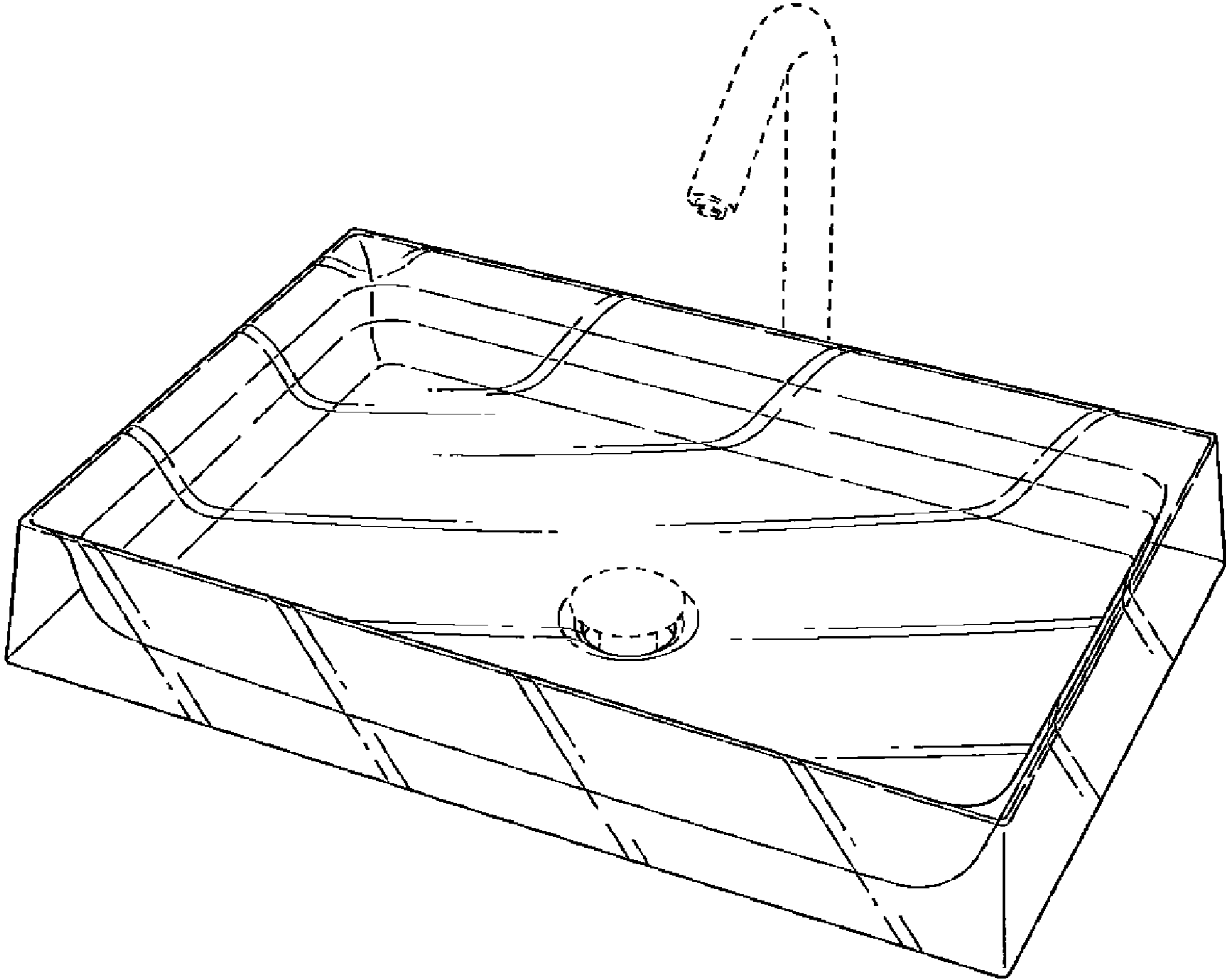


FIG. 9