

US00D603486S

(12) **United States Design Patent**
Mayer et al.

(10) **Patent No.:** **US D603,486 S**

(45) **Date of Patent:** **** Nov. 3, 2009**

(54) **VESSEL**

U.S. Appl. No. 29/308,461, filed Jun. 18, 2008.

U.S. Appl. No. 29/308,472, filed Jun. 18, 2008.

(75) Inventors: **Robert Mayer**, Deerfield Beach, FL (US); **Scott Bourne**, Deerfield Beach, FL (US)

* cited by examiner

Primary Examiner—Robert A Delehanty

(73) Assignee: **Deco Lav, Inc.**, Deerfield Beach, FL (US)

(74) *Attorney, Agent, or Firm*—Fross Zelnick Lehrman & Zissu, P.C.; Lawrence E. Apolzon, Esq.

(**) Term: **14 Years**

(57) **CLAIM**

(21) Appl. No.: **29/308,465**

The ornamental design for a vessel, as shown and described.

(22) Filed: **Jun. 18, 2008**

DESCRIPTION

(51) **LOC (9) Cl.** **23-01**

FIG. 1. is a front perspective view of the new design;

(52) **U.S. Cl.** **D23/293.1**

FIG. 2 is a top view of the vessel shown in FIG. 1;

(58) **Field of Classification Search** D23/270–271, D23/273–274, 284, 286–287, 292–293.1, D23/303, 308; 4/619, 631, 637, 661

FIG. 3 is a bottom view of the vessel shown in FIG. 1;

FIG. 4 is a front view of the vessel shown in FIG. 1;

See application file for complete search history.

FIG. 5 is a rear view of the vessel shown in FIG. 1;

(56) **References Cited**

FIG. 6 is a right side view of the vessel shown in FIG. 1 (with the left side view being a mirror image thereof);

U.S. PATENT DOCUMENTS

FIG. 7 is a bottom perspective view of the vessel shown in FIG. 1; and,

D539,879 S * 4/2007 Stein D23/293.1

D545,415 S * 6/2007 Tani et al. D23/293.1

D560,784 S * 1/2008 Marshall et al. D23/293.1

FIG. 8 is a cross-sectional cutaway side view of the vessel shown in FIG. 1.

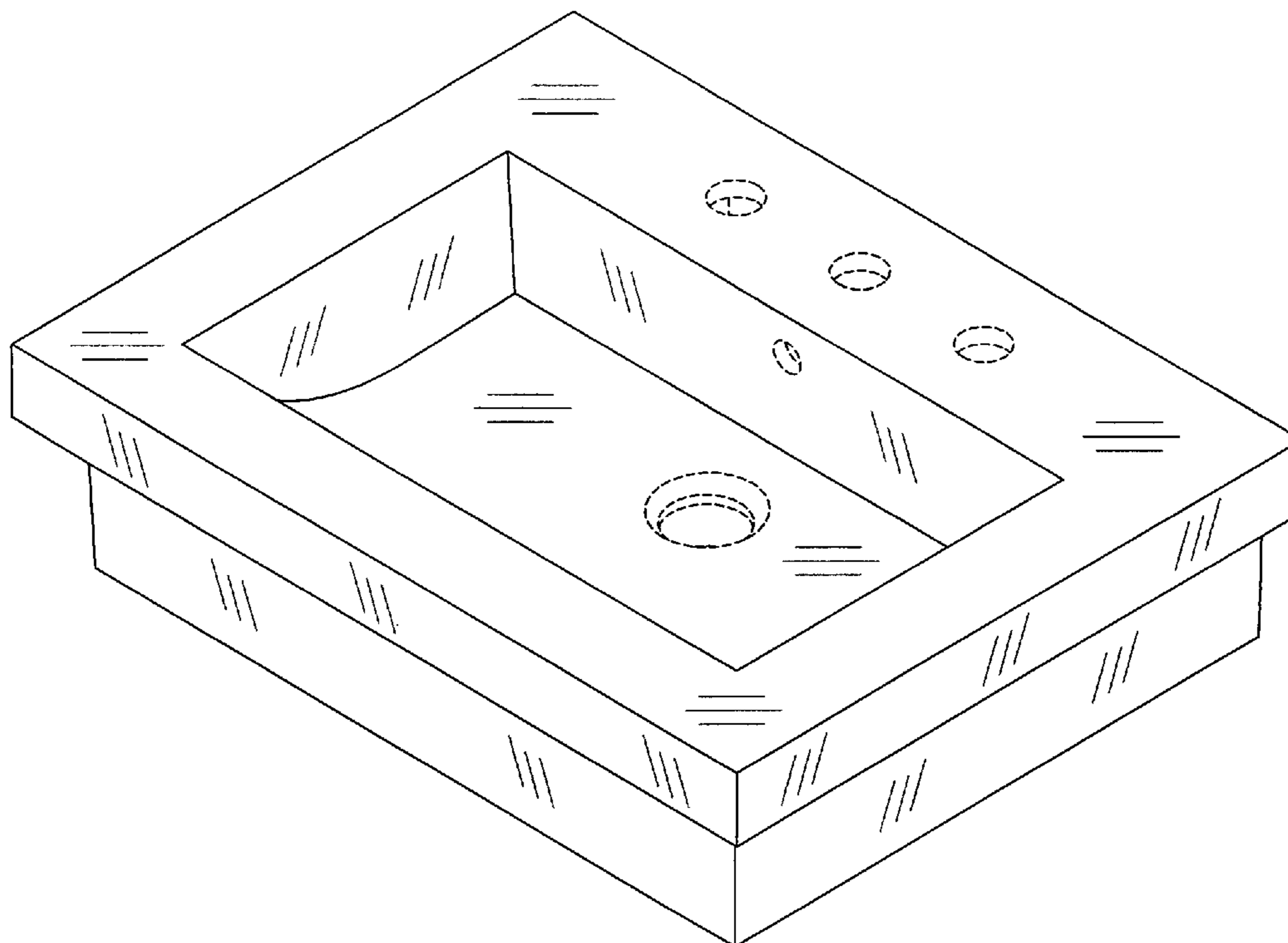
OTHER PUBLICATIONS

Decolav; Square Vitreous China Vessel; www.decolav.com; Sep. 3, 2008—Prior design by DecoLav, Inc.

The broken line showing of the faucet holes, drainage hole, spill hole, and bottom section of the vessel is for illustrative purposes only and forms no part of the claimed design.

Lacava; Aquagrande bench and Aquaplane washbasin; www.lacava.com; Sep. 3, 2008.

1 Claim, 8 Drawing Sheets



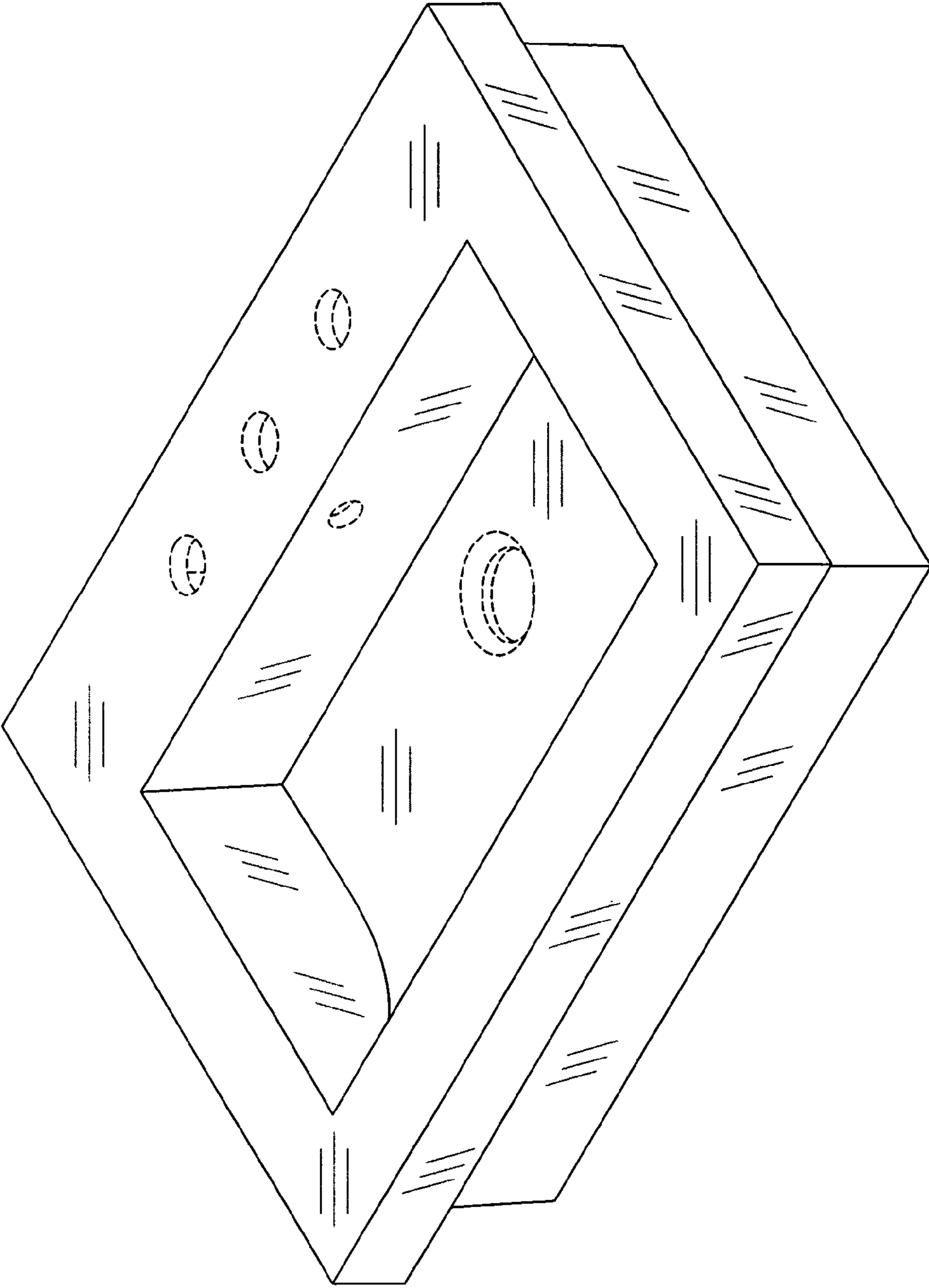


FIG.1

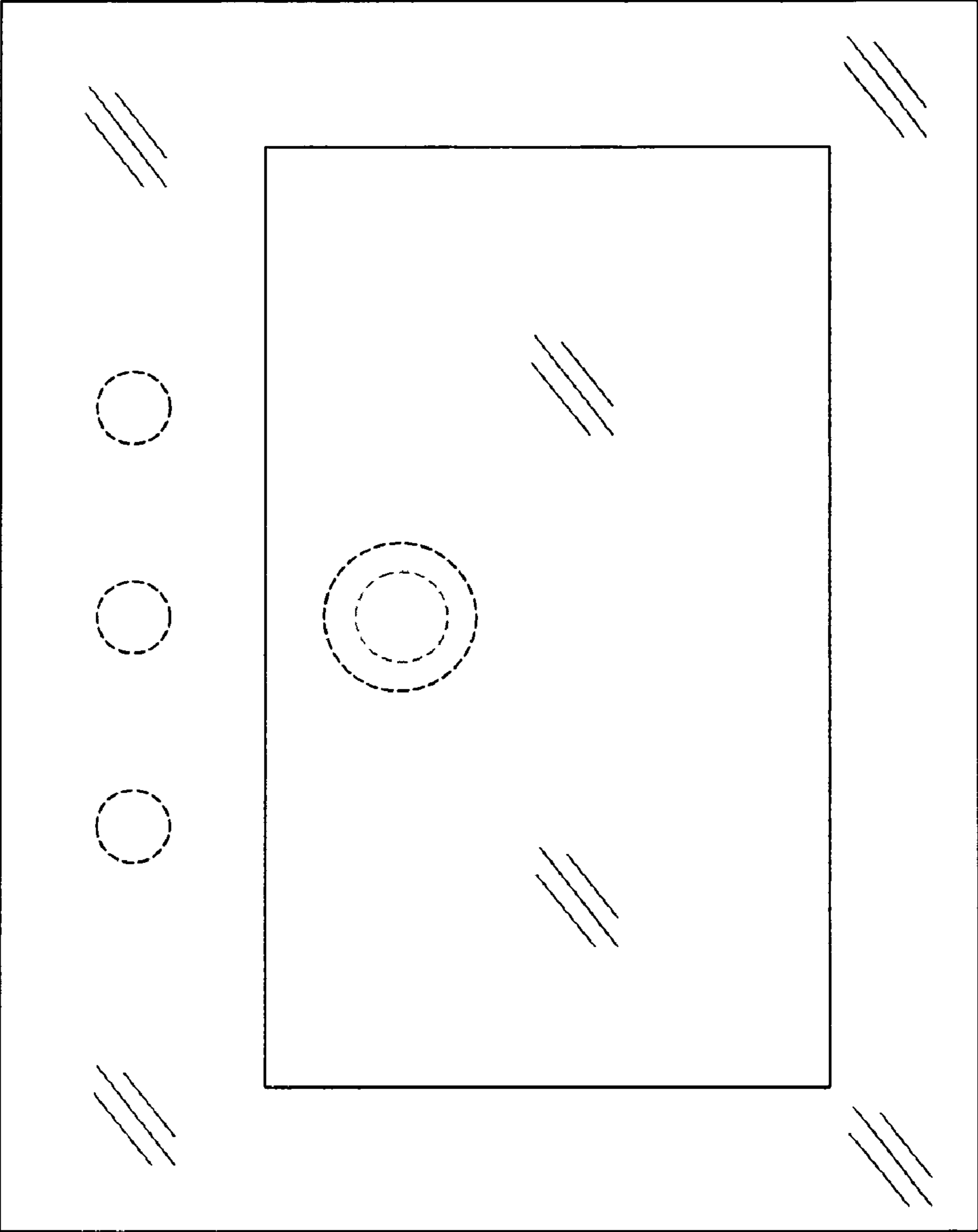


FIG.2

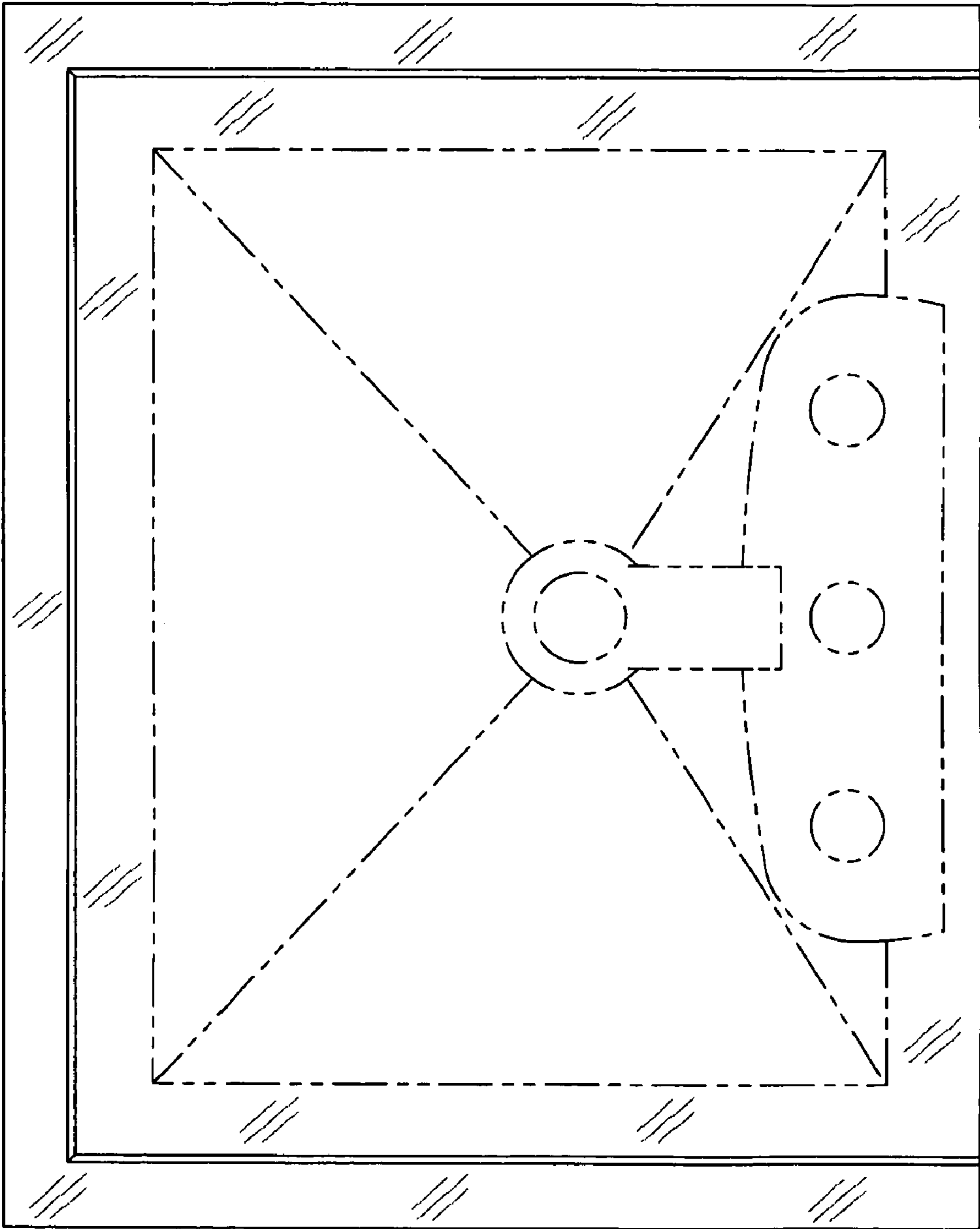


FIG.3

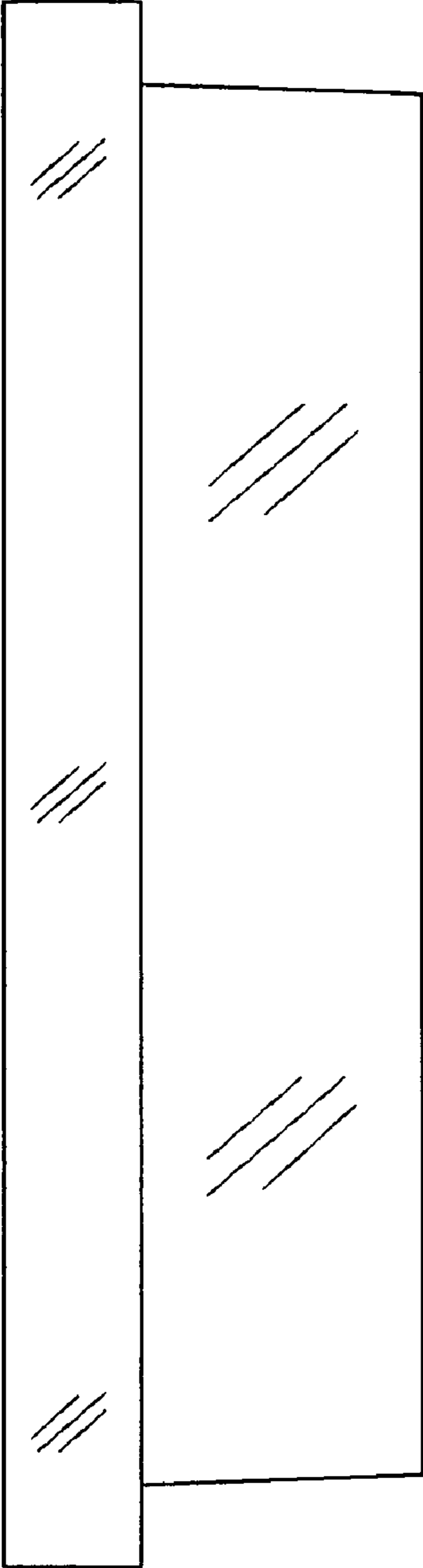


FIG.4

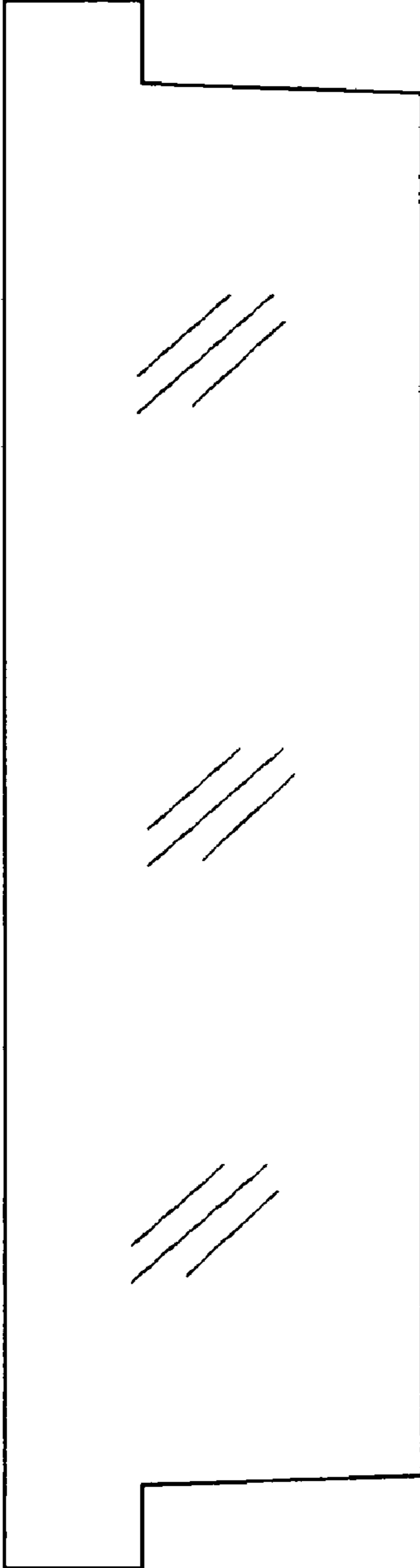


FIG.5

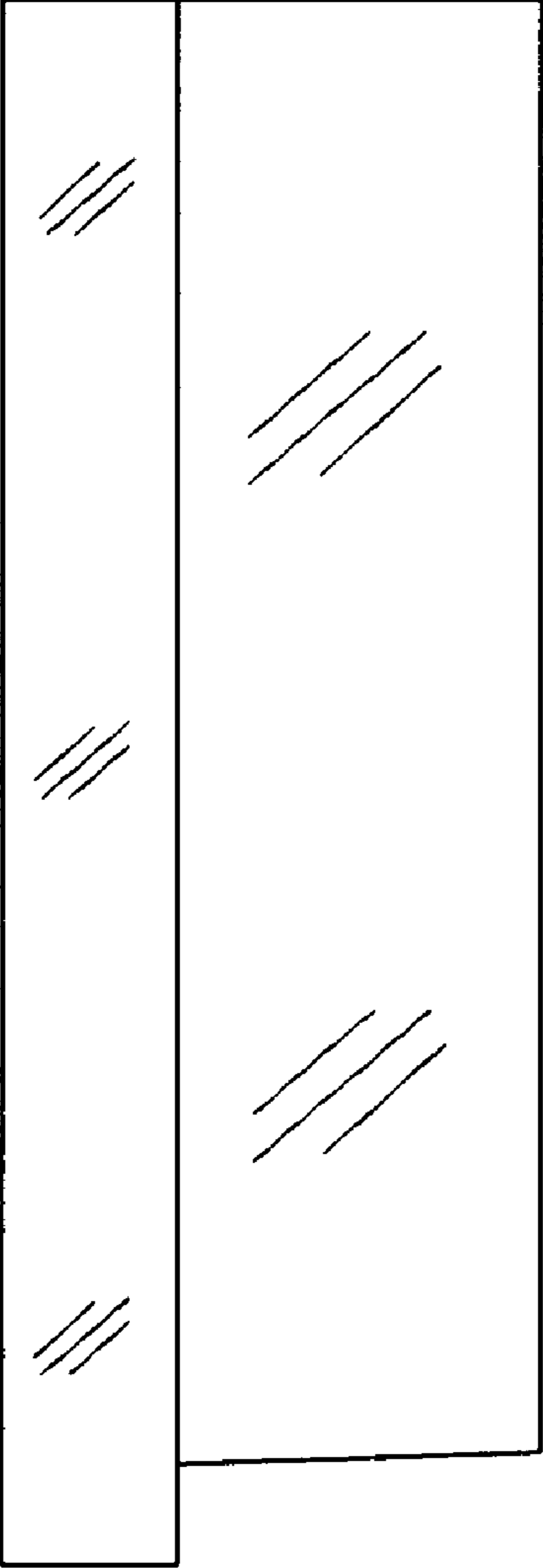


FIG.6

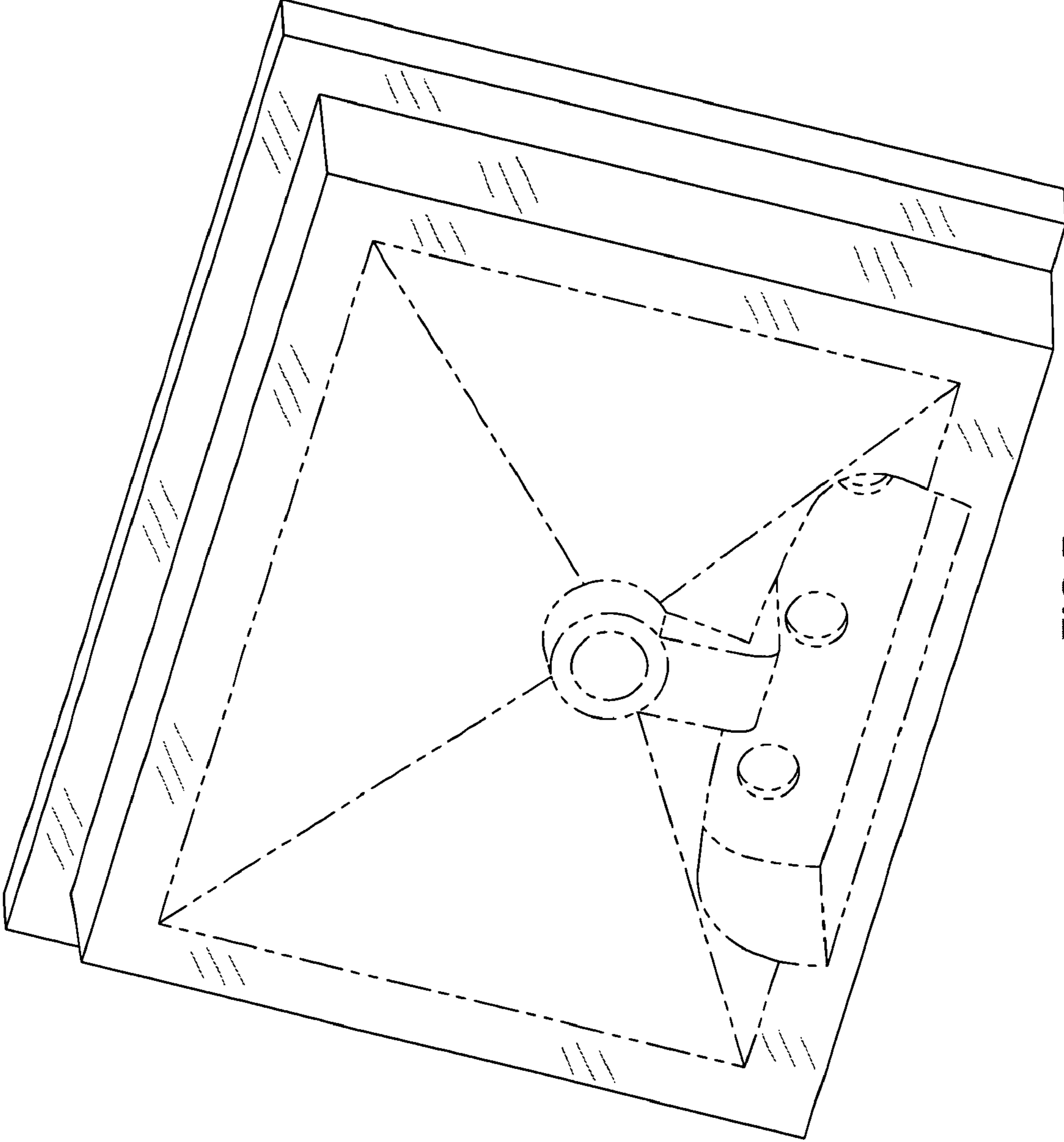


FIG.7

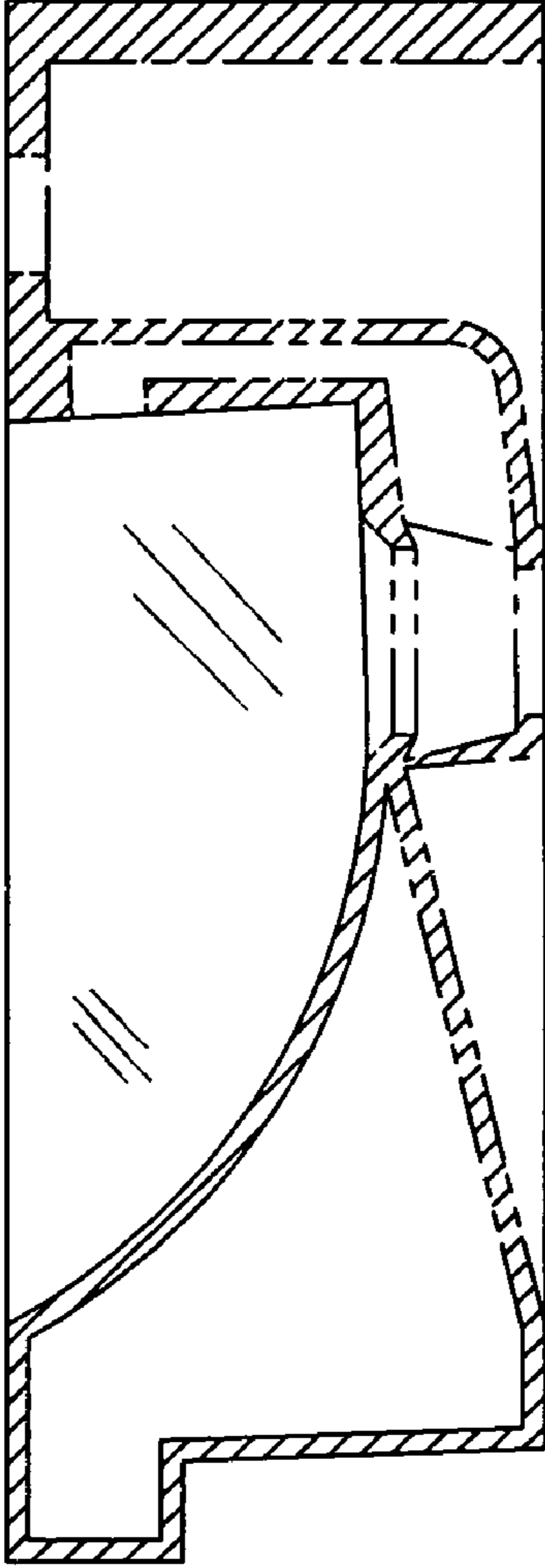


FIG.8