



US00D603485S

(12) **United States Design Patent**
Soulier

(10) **Patent No.:** **US D603,485 S**
(45) **Date of Patent:** **** Nov. 3, 2009**

(54) **PLUMBING FIXTURE SUPPORT**

TR DES. 2007/01500 4/2007

(75) Inventor: **Jean-Hugues Soulier**, Paris (FR)

(73) Assignee: **Kohler France SAS**, Paris (FR)

(**) Term: **14 Years**

(21) Appl. No.: **29/320,605**

(22) Filed: **Jun. 30, 2008**

(30) **Foreign Application Priority Data**

Jan. 4, 2008 (EM) 000853346-0001

(51) **LOC (9) Cl.** **23-01**

(52) **U.S. Cl.** **D23/292**

(58) **Field of Classification Search** D23/270–271,
D23/273–274, 284, 286–287, 292–293.1,
D23/303, 308; 4/619, 631, 637, 661
See application file for complete search history.

(56) **References Cited**

U.S. PATENT DOCUMENTS

D472,616 S * 4/2003 Newson D23/292

D555,234 S * 11/2007 Soulier D23/308

FOREIGN PATENT DOCUMENTS

GB DES.3010593 7/2003

TR DES. 2003/00279 2/2003

OTHER PUBLICATIONS

Jacob Delafon. "Astros". Jacob Delafon online online catalog.
Garache. Pedestal Sink. Garache catalog.

* cited by examiner

Primary Examiner—Robert A Delehanty

(74) *Attorney, Agent, or Firm*—Quarles & Brady LLP

(57) **CLAIM**

The ornamental design for a plumbing fixture support, as shown and described.

DESCRIPTION

In a preferred embodiment, the nature of this product is a pedestal such as can be used to support a lavatory from a wall.

FIG. 1 is a left, top, front perspective view of a plumbing fixture support embodying my new design;

FIG. 2 is a front elevational view thereof;

FIG. 3 is a left side elevational view thereof, the right side elevational view thereof being a mirror image of the left side shown;

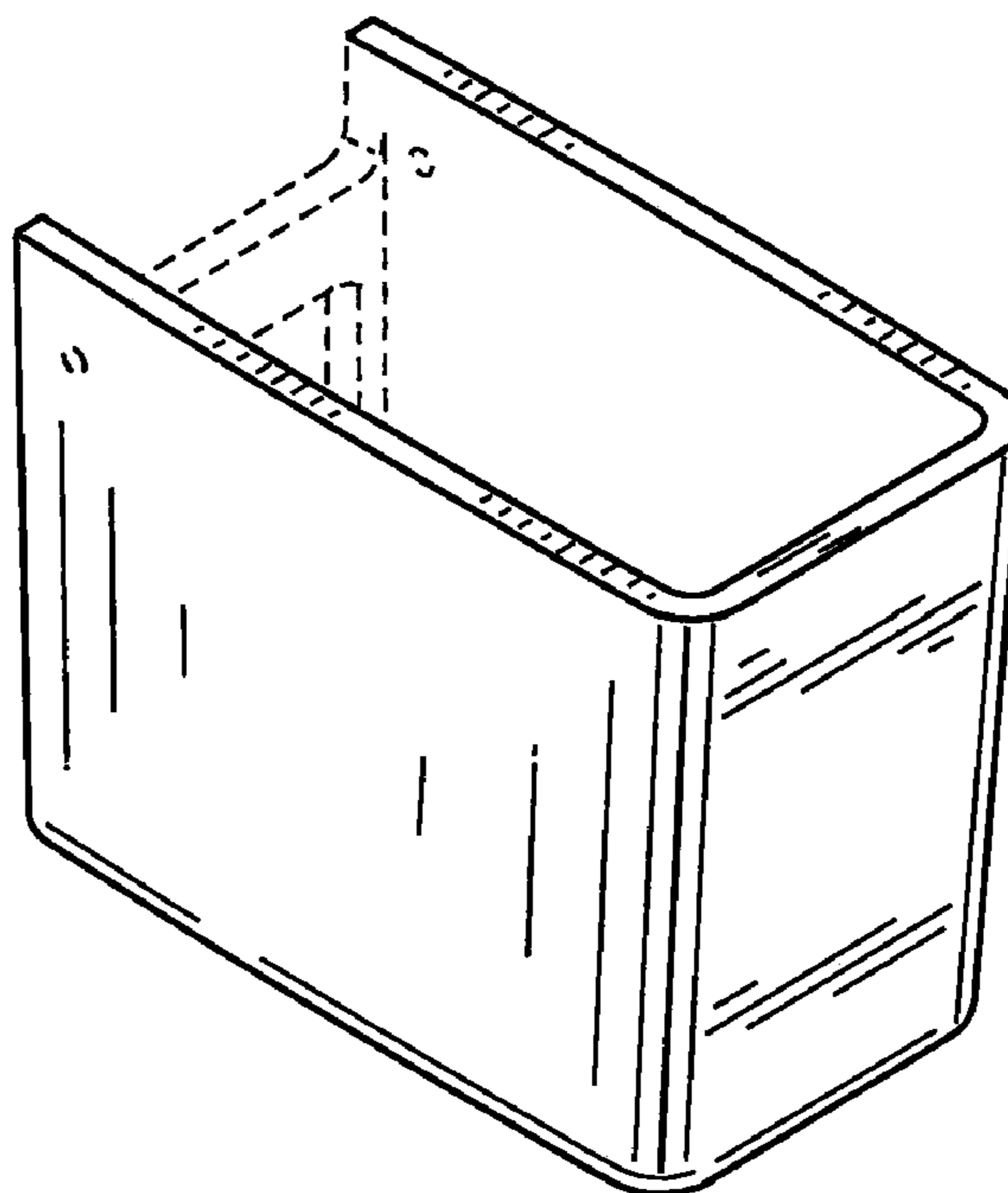
FIG. 4 is a top plan view thereof;

FIG. 5 is a bottom plan view thereof; and,

FIG. 6 is a rear elevational view thereof.

The broken line representations in the figures are for the purpose of illustration only, and form no part of the claimed design.

1 Claim, 2 Drawing Sheets



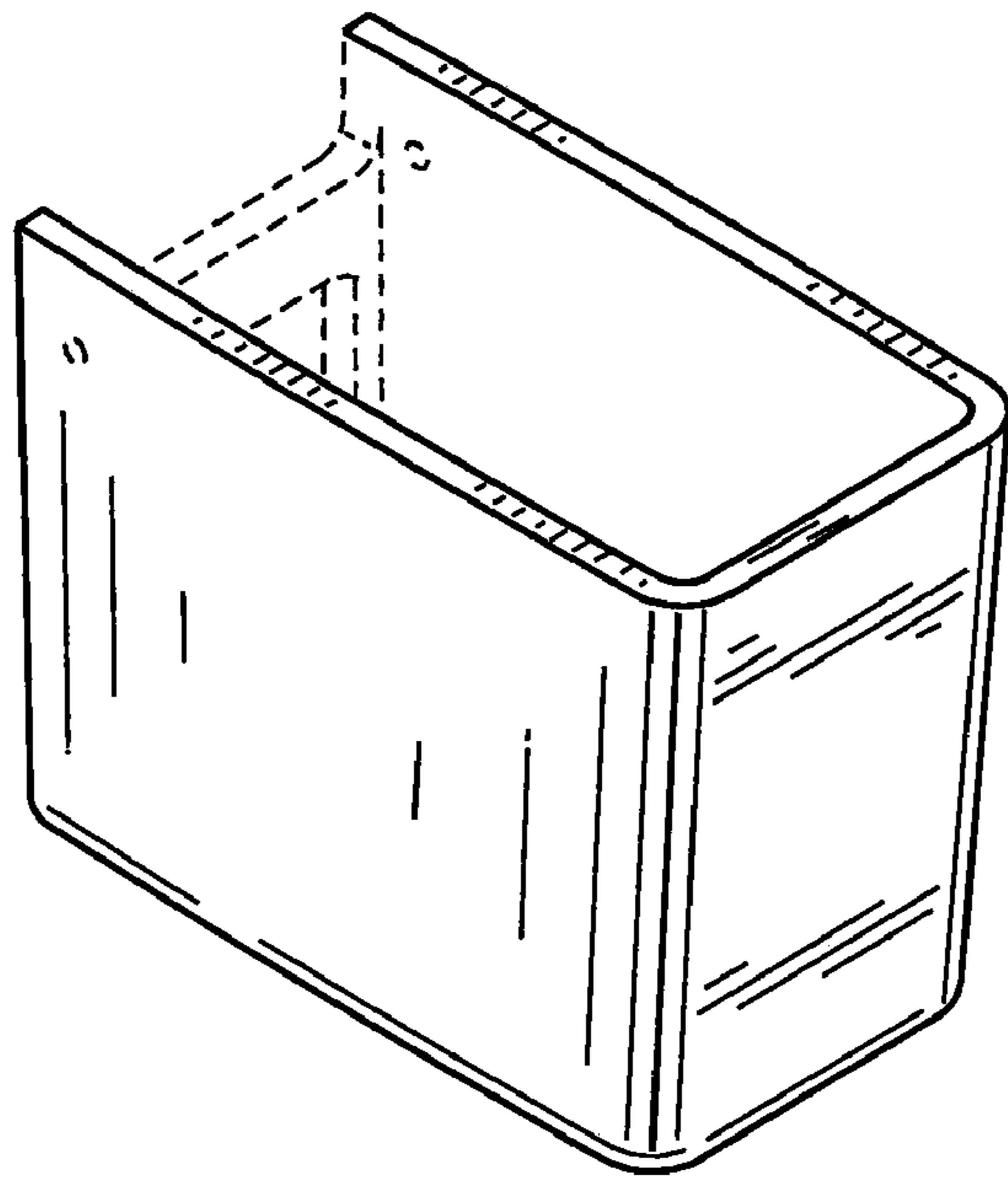


FIG. 1

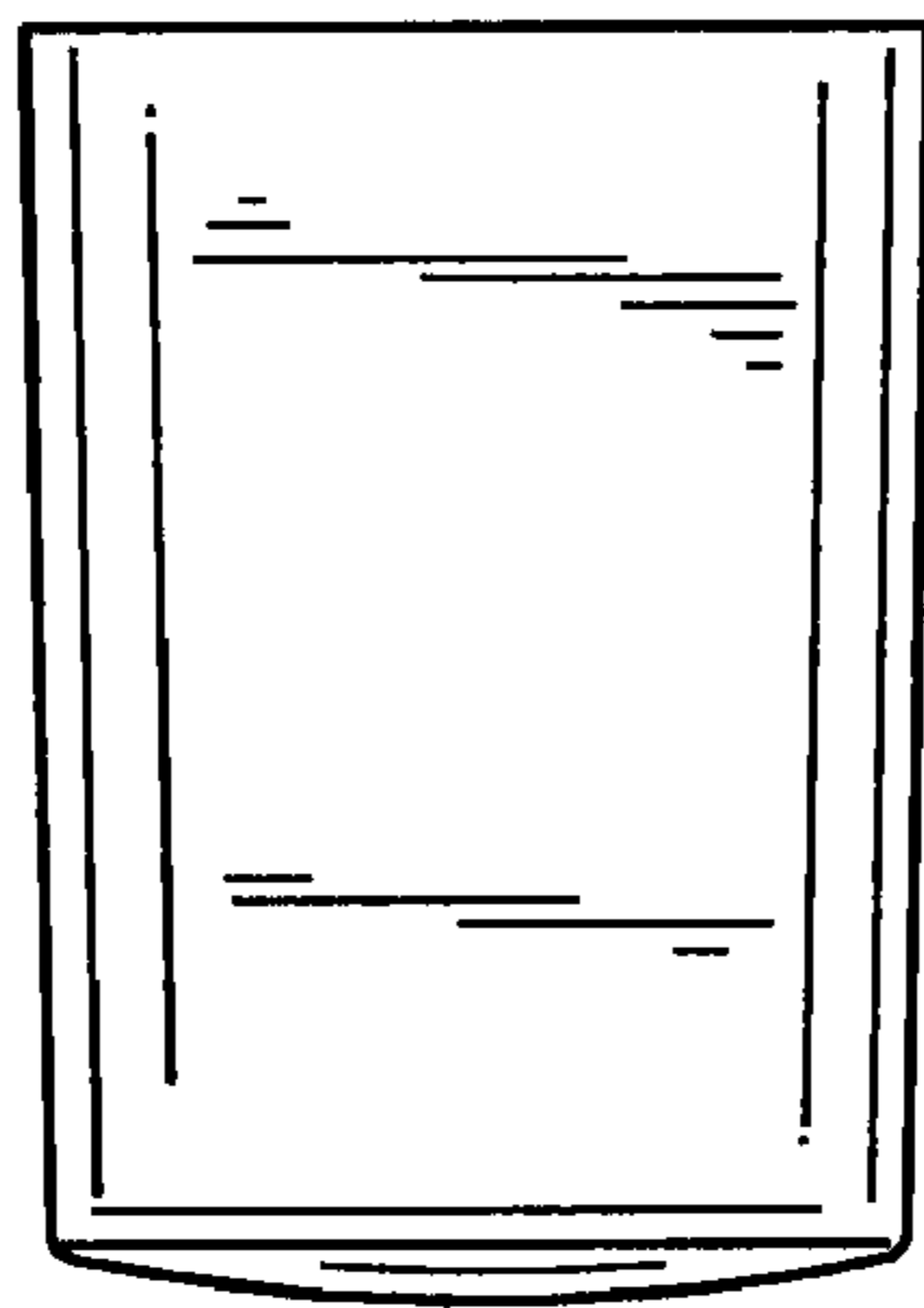


FIG. 2

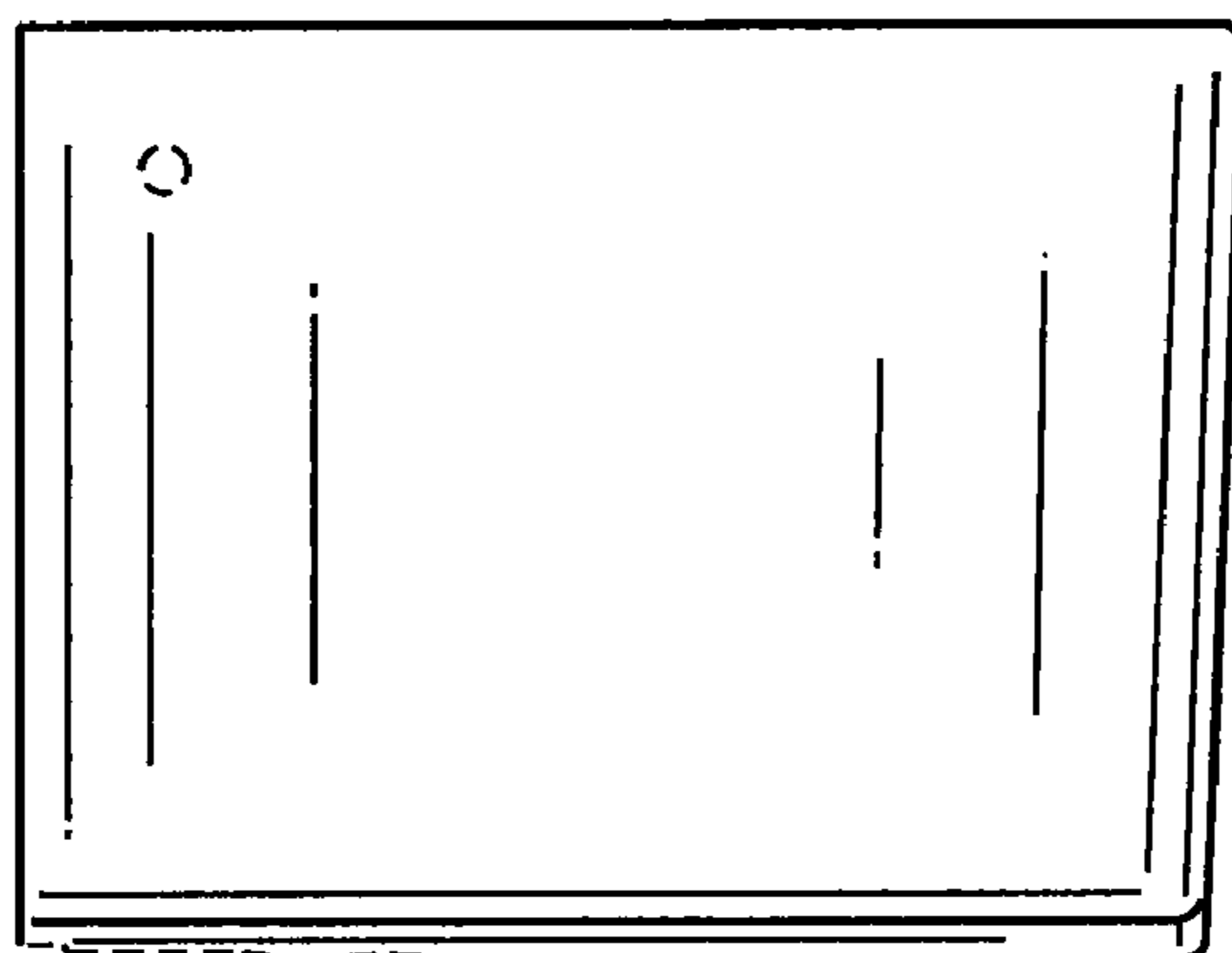


FIG. 3

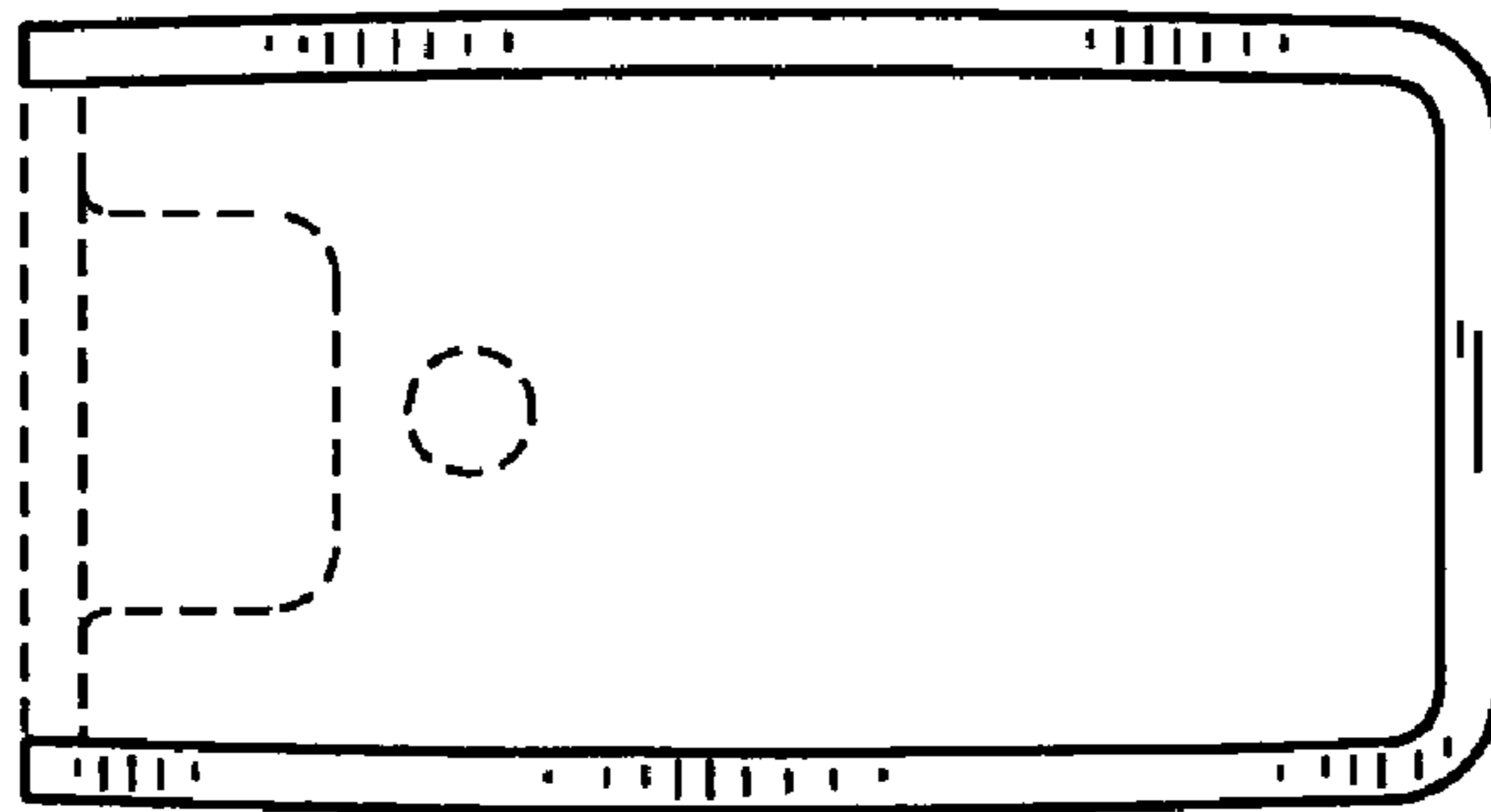


FIG. 4

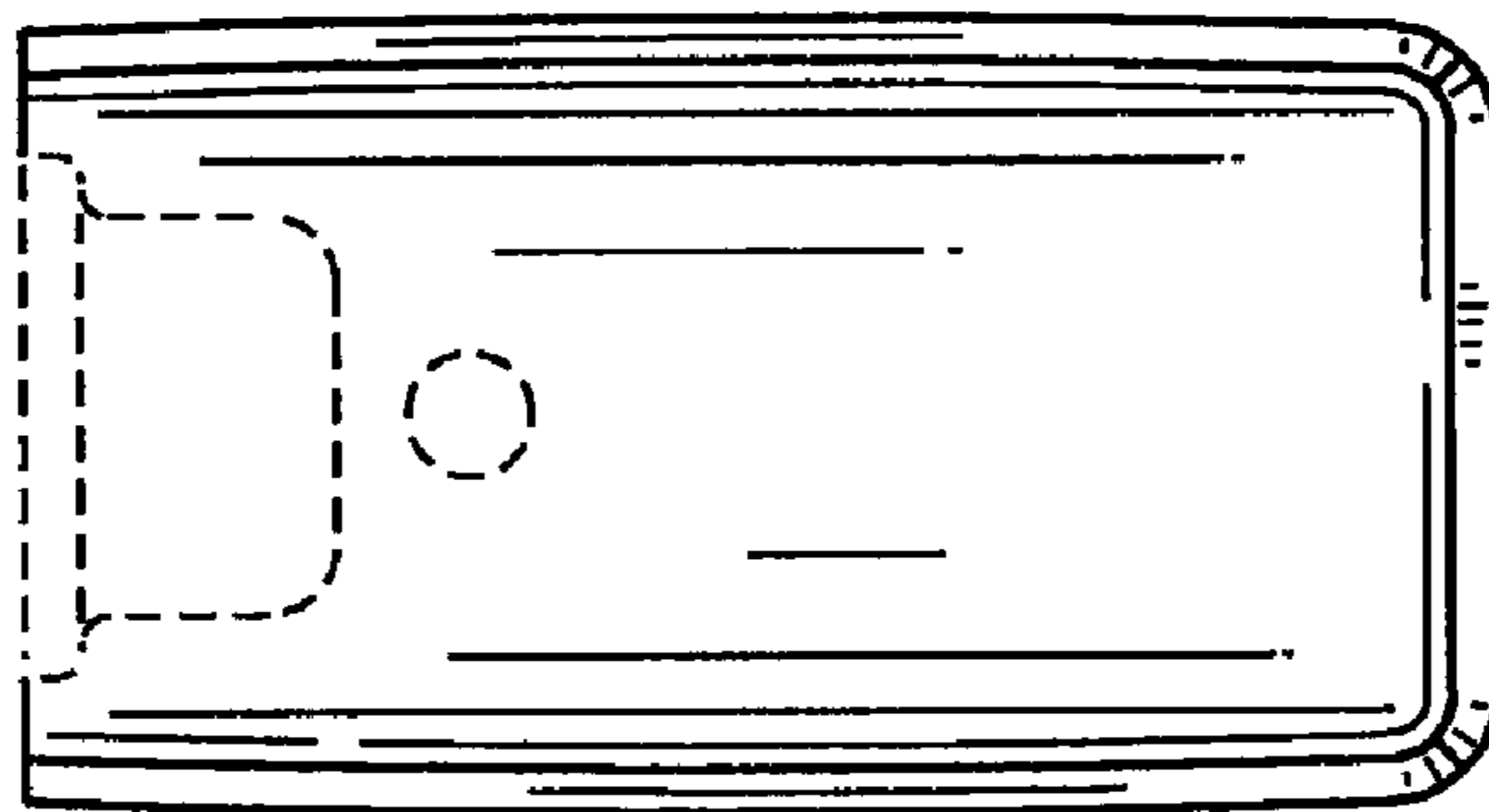


FIG. 5

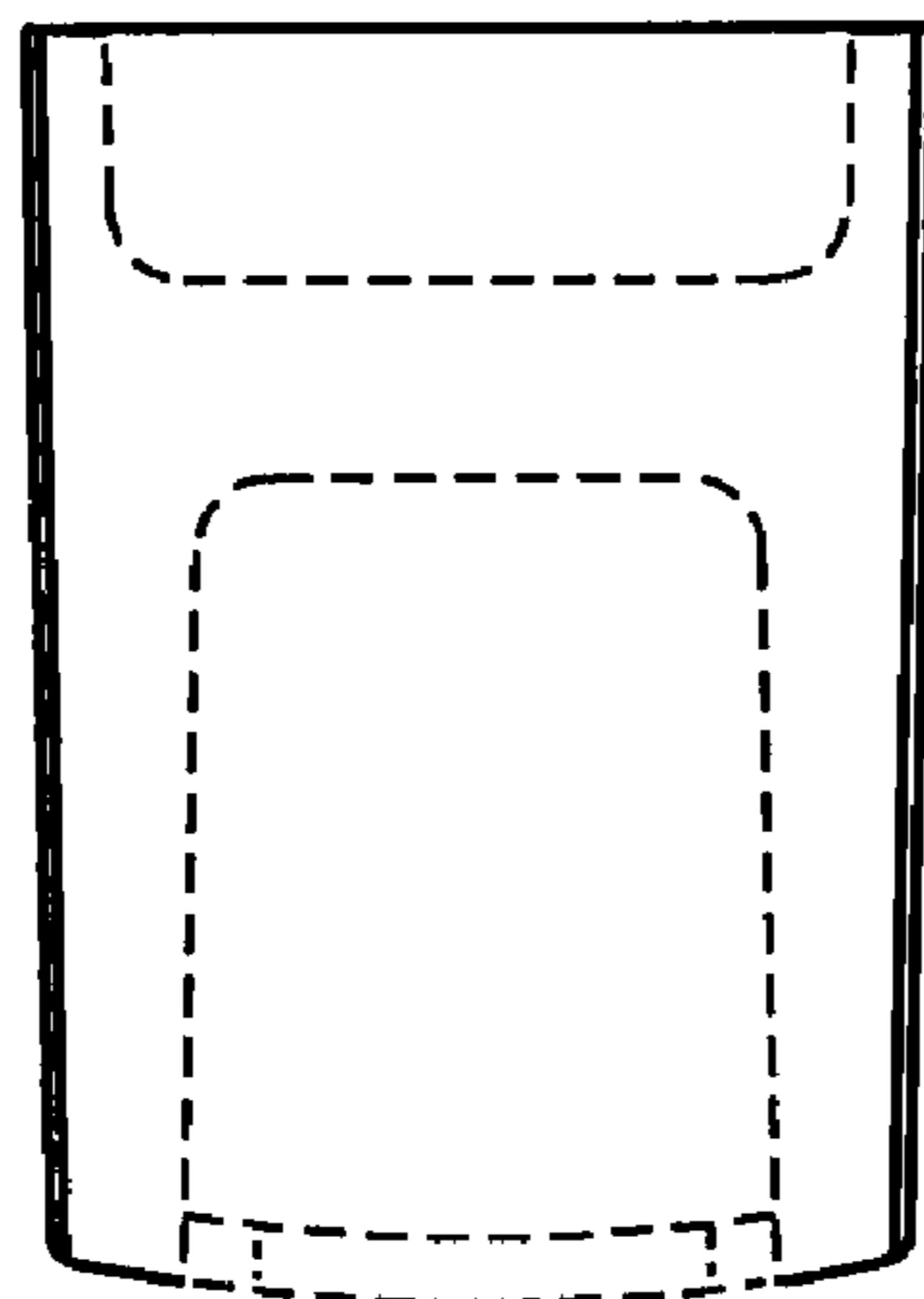


FIG. 6