



US00D603484S

(12) **United States Design Patent**
Eilmus

(10) **Patent No.:** **US D603,484 S**

(45) **Date of Patent:** **** Nov. 3, 2009**

(54) **SINK**

(75) Inventor: **Niels J. Eilmus**, Sheboygan, WI (US)

(73) Assignee: **Kohler Co.**, Kohler, WI (US)

(**) Term: **14 Years**

(21) Appl. No.: **29/330,969**

(22) Filed: **Jan. 16, 2009**

(51) **LOC (9) Cl.** **23-01**

(52) **U.S. Cl.** **D23/290**

(58) **Field of Classification Search** D23/270–271,
D23/273–274, 284, 286–287, 292–293.1,
D23/303, 308; 4/619, 631, 637, 661
See application file for complete search history.

(56) **References Cited**

U.S. PATENT DOCUMENTS

D547,833 S * 7/2007 Mahon D23/290

FOREIGN PATENT DOCUMENTS

ES 131094 10/1993

OTHER PUBLICATIONS

Kohler Co. “Ballad Self-Rimming Kitchen Sink”. Model No. K3256-3. Kohler Co. online catalog.

Kohler Co. “Galleon Kitchen Sink”. Model No. K5982-5. Kohler Co. online catalog.

Kohler Co. “Iron/Tones Smart Divide Kitchen Sink”. Model No. K-6625. Kohler Co. online catalog.

Kohler Co. “Deerfield Smart Divide Kitchen Sink”. Model No. K-5838. Kohler Co. online catalog.

* cited by examiner

Primary Examiner—Robert A Delehanty

(74) *Attorney, Agent, or Firm*—Quarles & Brady LLP

(57) **CLAIM**

The ornamental design for a sink, as shown and described.

DESCRIPTION

In a preferred embodiment, the nature of this product is as a plumbing fixture in the form of a sink which is primarily useful for washing various items and the body parts of humans.

FIG. 1 is a right, top, front perspective view of a sink embodying my new design;

FIG. 2 is a top plan view thereof;

FIG. 3 is a front elevational view thereof;

FIG. 4 is a right side elevational view thereof;

FIG. 5 is a left side elevational view thereof;

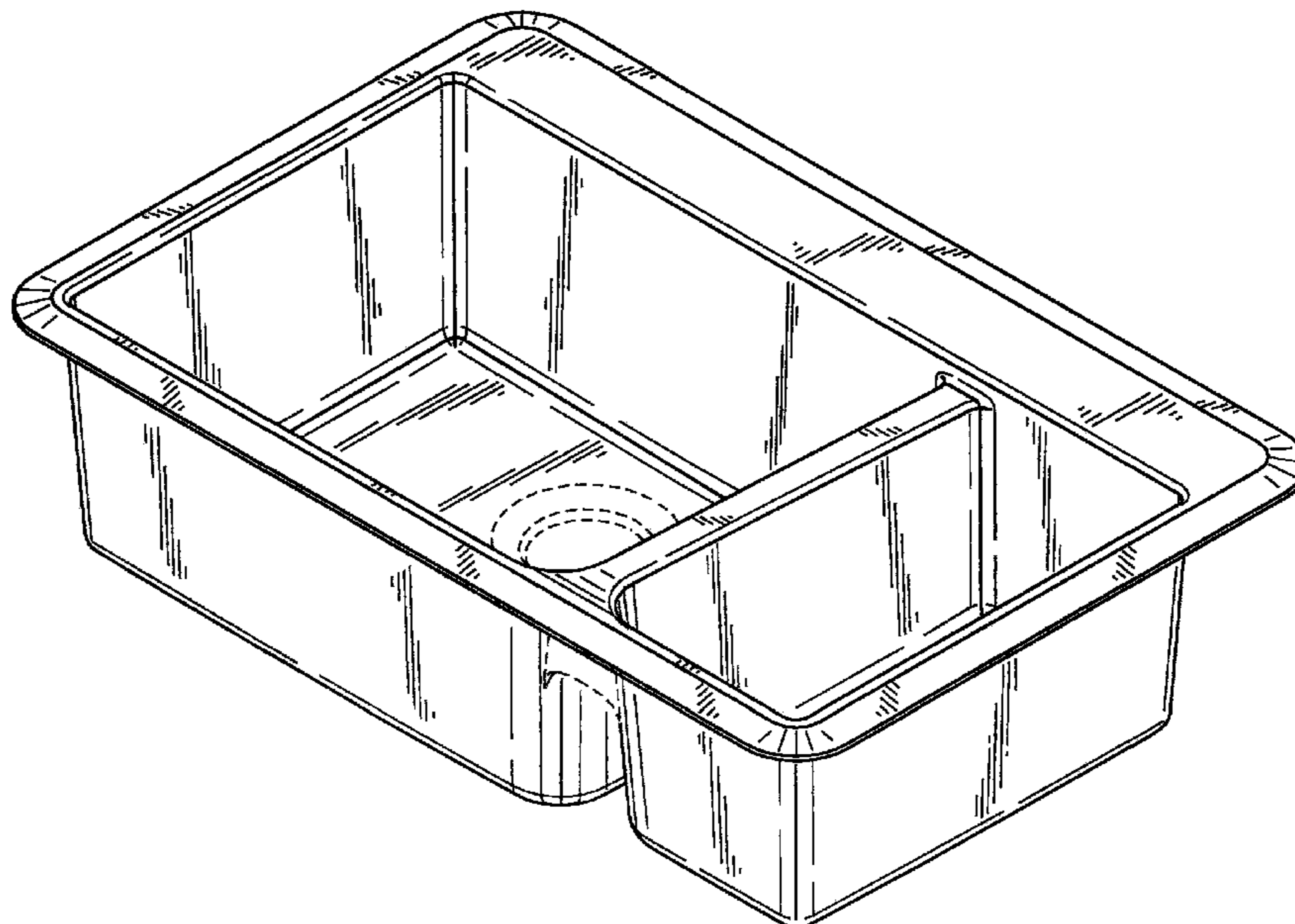
FIG. 6 is a rear elevational view thereof;

FIG. 7 is a bottom plan view thereof; and,

FIG. 8 is a left, top, front perspective view of a sink according to another embodiment of my new design, the top plan, front elevational, right side elevational, left side elevational, rear elevational and bottom plan views thereof being mirror images of respective FIGS. 2–7.

The broken line representations in the figures are for the purpose of illustration only, and form no part of the claimed design.

1 Claim, 5 Drawing Sheets



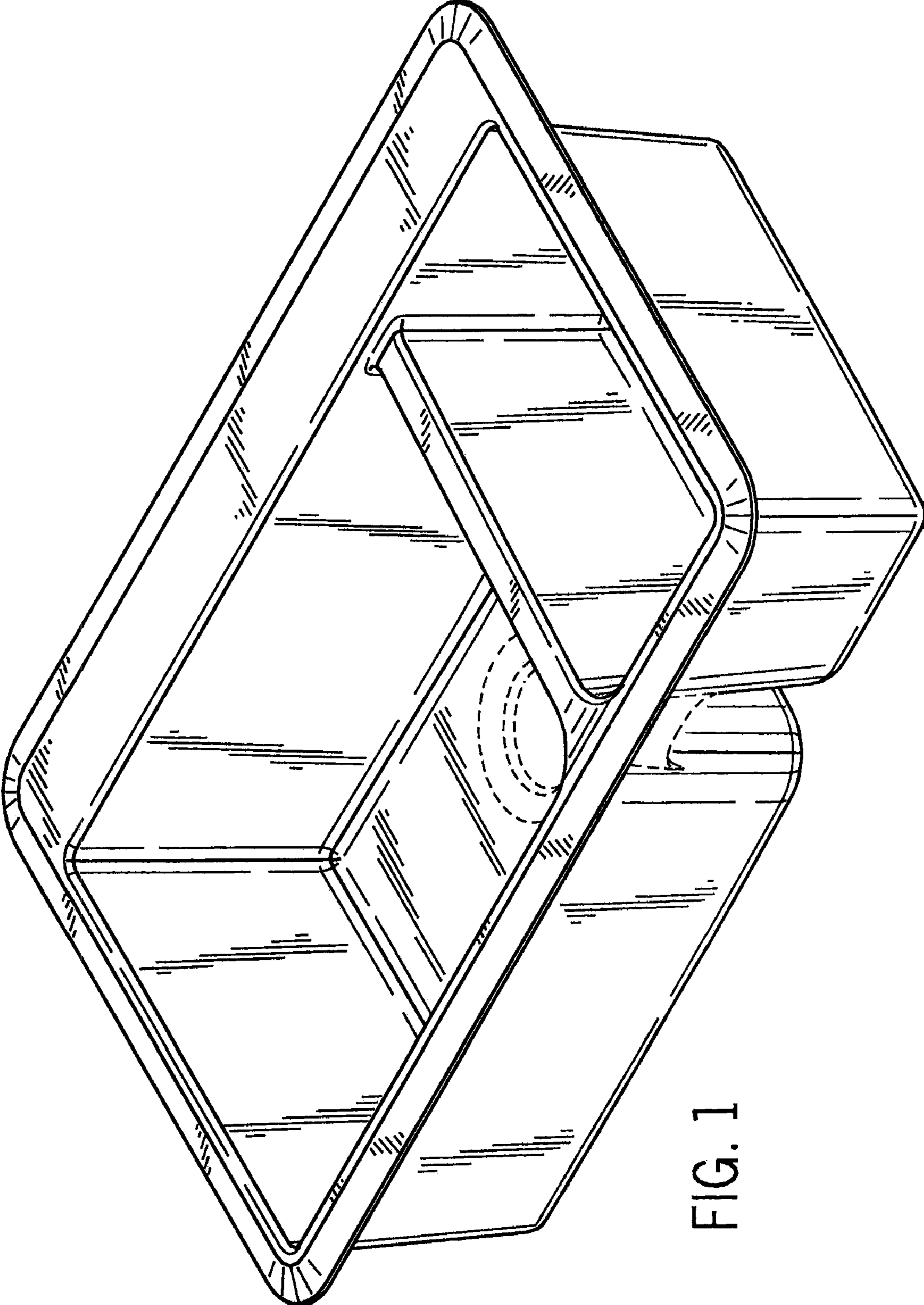


FIG. 1

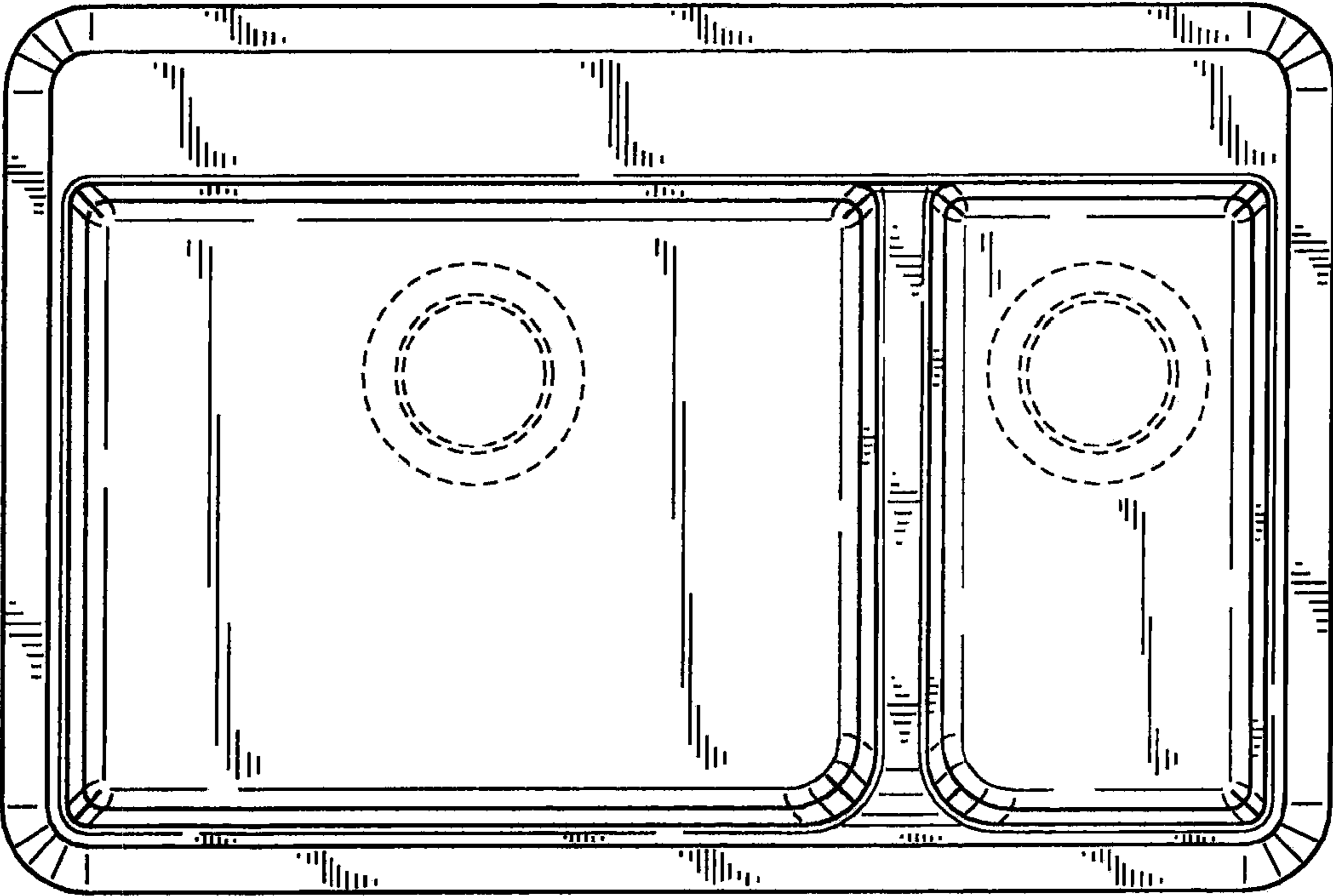


FIG. 2

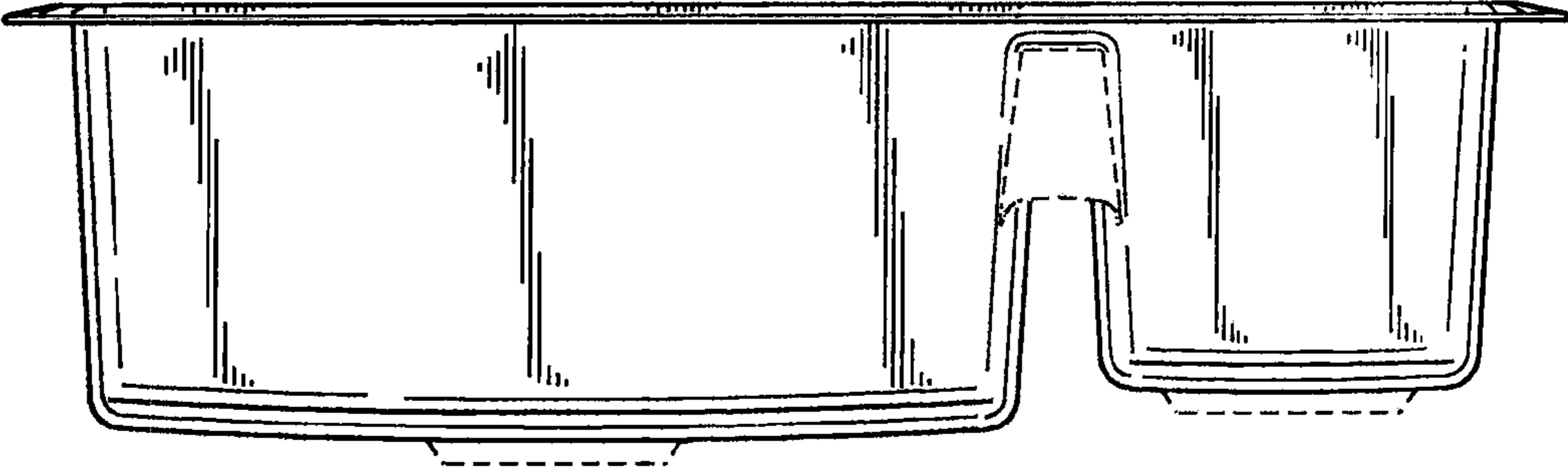


FIG. 3

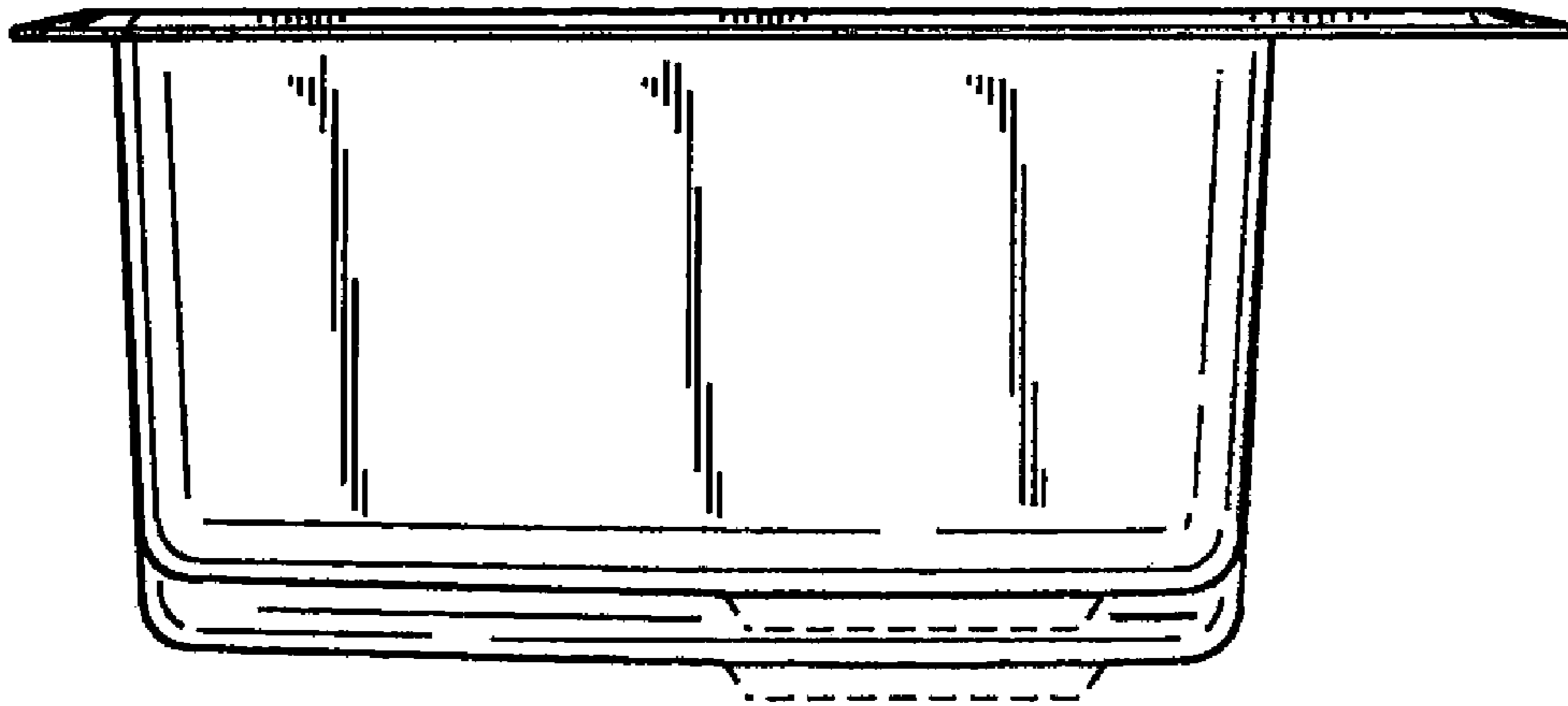


FIG. 4

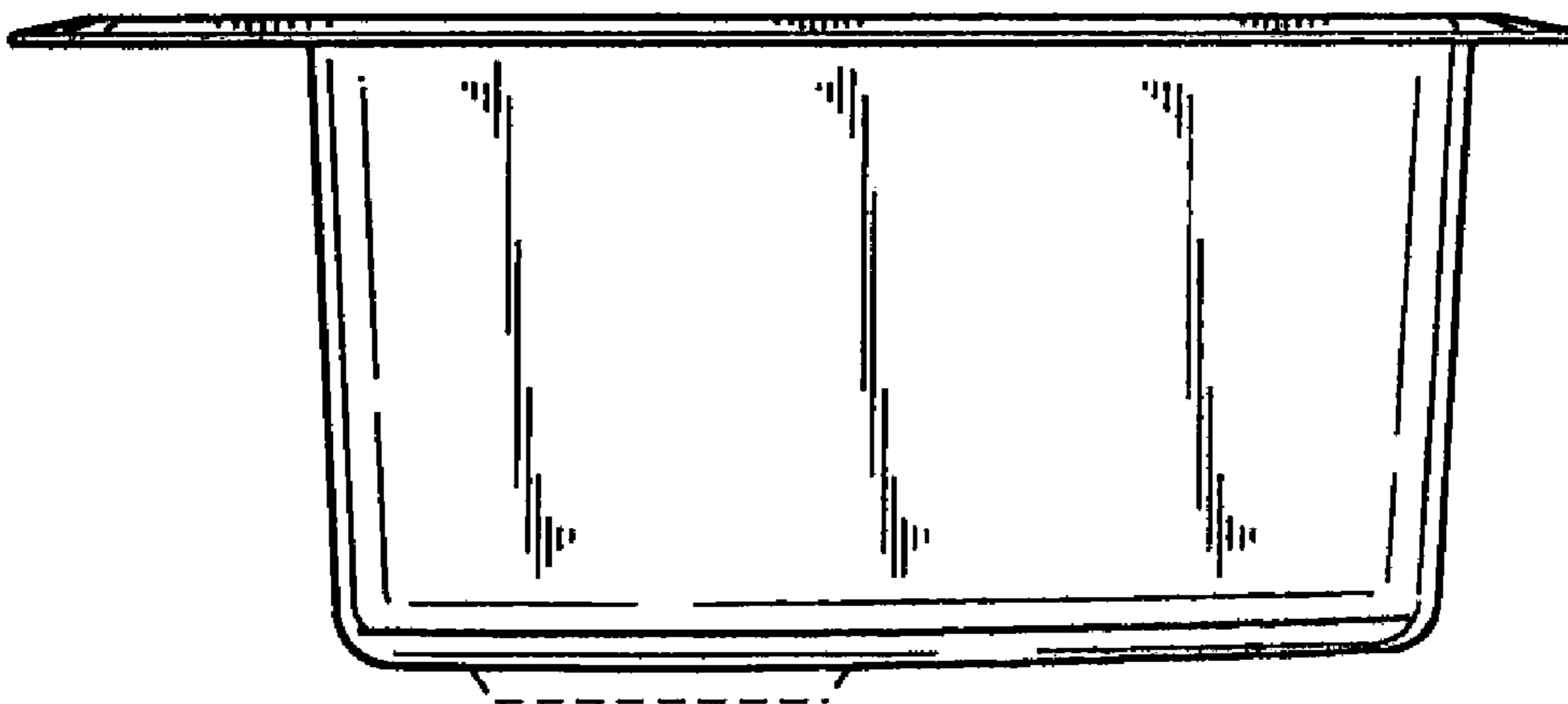


FIG. 5

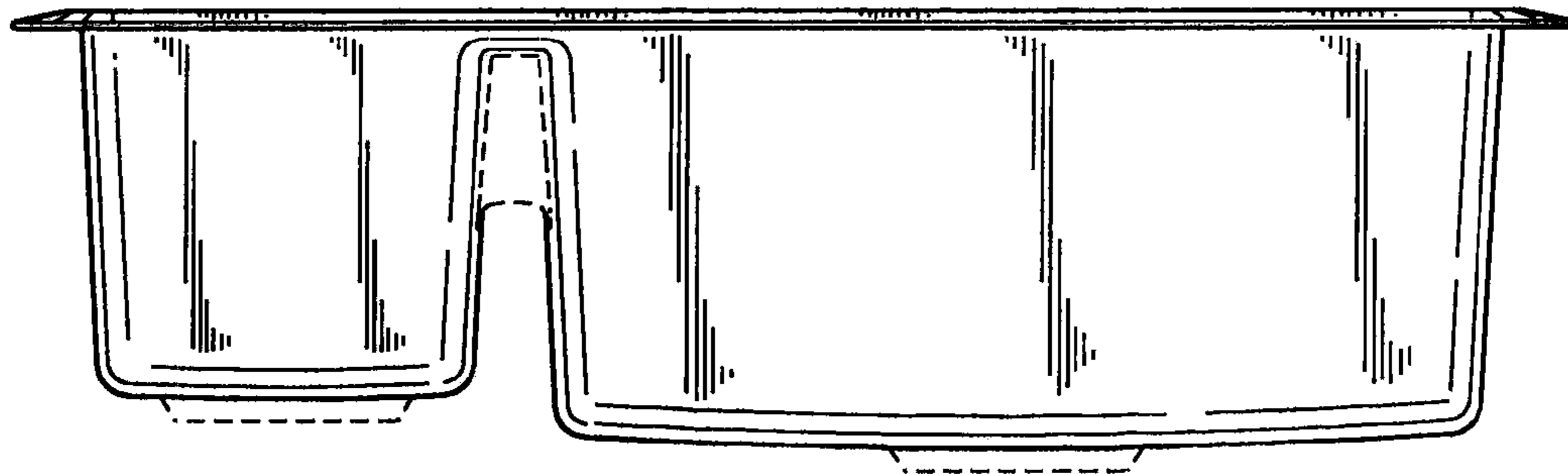


FIG. 6

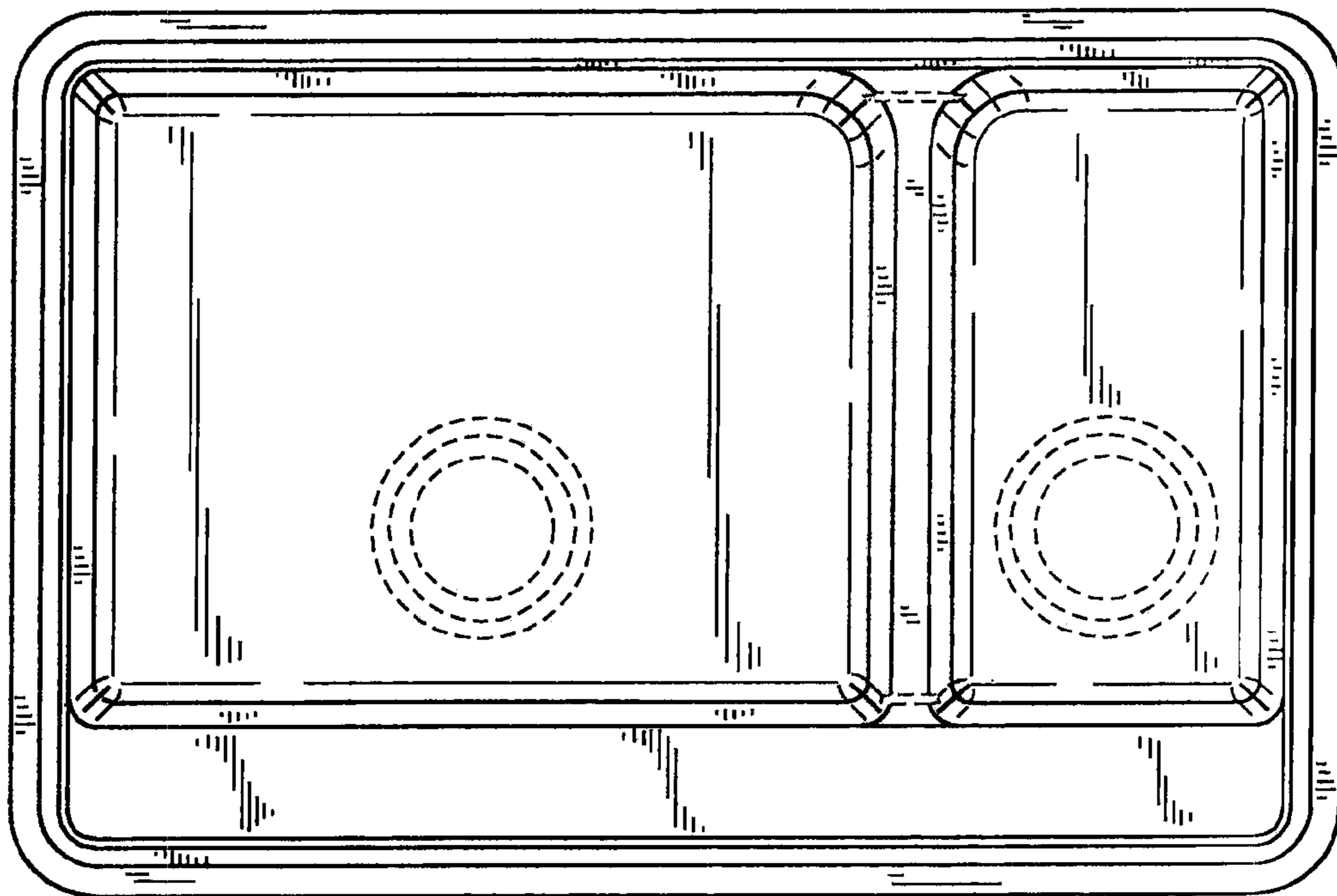


FIG. 7

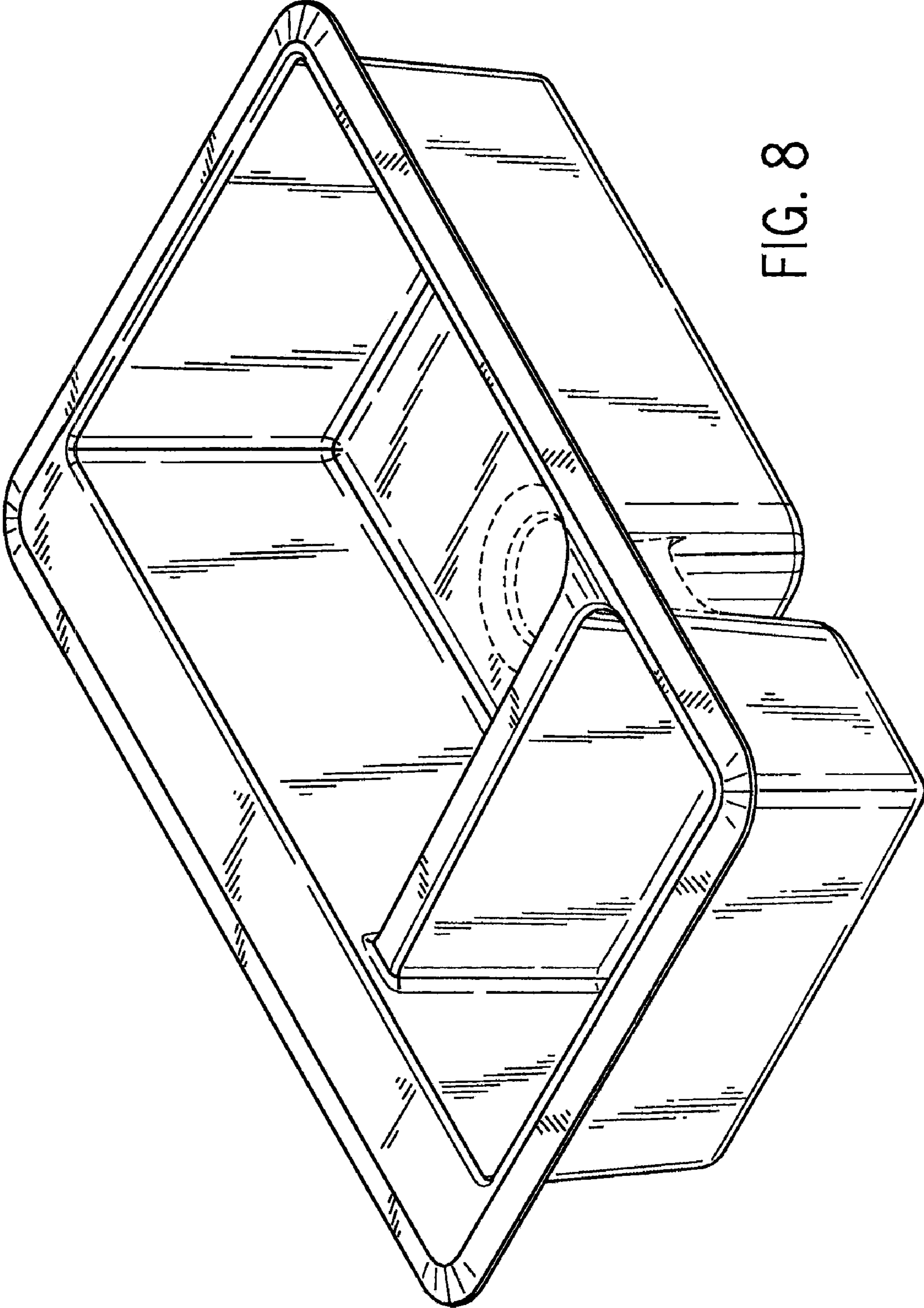


FIG. 8