



US00D603481S

(12) **United States Design Patent**
Zetsche et al.

(10) **Patent No.:** **US D603,481 S**
(45) **Date of Patent:** **** Nov. 3, 2009**

(54) **MIXING FAUCET**

(75) Inventors: **Reinhard Zetsche**, München (DE);
Bruno Sacco, Sindelfingen (DE)

(73) Assignee: **Hansa Metallwerke AG**, Stuttgart (DE)

(**) Term: **14 Years**

(21) Appl. No.: **29/321,812**

(22) Filed: **Jul. 24, 2008**

(30) **Foreign Application Priority Data**

Feb. 1, 2008 (EM) 000870654-0004

(51) **LOC (9) Cl.** **23-01**

(52) **U.S. Cl.** **D23/242**

(58) **Field of Classification Search** D23/200,
D23/238-257; 4/675-678; 137/801
See application file for complete search history.

(56) **References Cited**

U.S. PATENT DOCUMENTS

- D479,582 S * 9/2003 Citterio D23/239
- D515,180 S * 2/2006 Ouyoung D23/239
- D521,601 S * 5/2006 Uhl D23/240
- D566,238 S * 4/2008 Lammel et al. D23/239

OTHER PUBLICATIONS

- U.S. Appl. No. 29/321,807, Zetsche, et al. filed Jul. 24, 2008, entitled, Mixing Faucet.
- U.S. Appl. No. 29/321,809, Zetsche, et al. filed Jul. 24, 2008, entitled, Mixing Faucet.

U.S. Appl. No. 29/321,811, Zetsche, et al. filed Jul. 24, 2008, entitled, Mixing Faucet.

* cited by examiner

Primary Examiner—T. Chase Nelson
Assistant Examiner—Mac Mark Cavanna

(74) *Attorney, Agent, or Firm*—Factor & Lake, Ltd.

(57) **CLAIM**

The ornamental design for mixing faucet, as shown and described.

DESCRIPTION

FIG. 1 is a perspective view of the mixing faucet showing a new ornamental design thereof;

FIG. 2 is a front elevation view of the mixing faucet shown in FIG. 1;

FIG. 3 is a rear elevation view of the mixing faucet shown in FIG. 1;

FIG. 4 is a right side elevation view of the mixing faucet shown in FIG. 1;

FIG. 5 is a left side elevation view of the mixing faucet shown in FIG. 1;

FIG. 6 is a top plan view of the mixing faucet shown in FIG. 1; and,

FIG. 7 is a bottom plan view of the mixing faucet shown in FIG. 1.

The broken lines are included for the purpose of illustrating portions of the mixing faucet that forms no part of the claimed design.

1 Claim, 3 Drawing Sheets

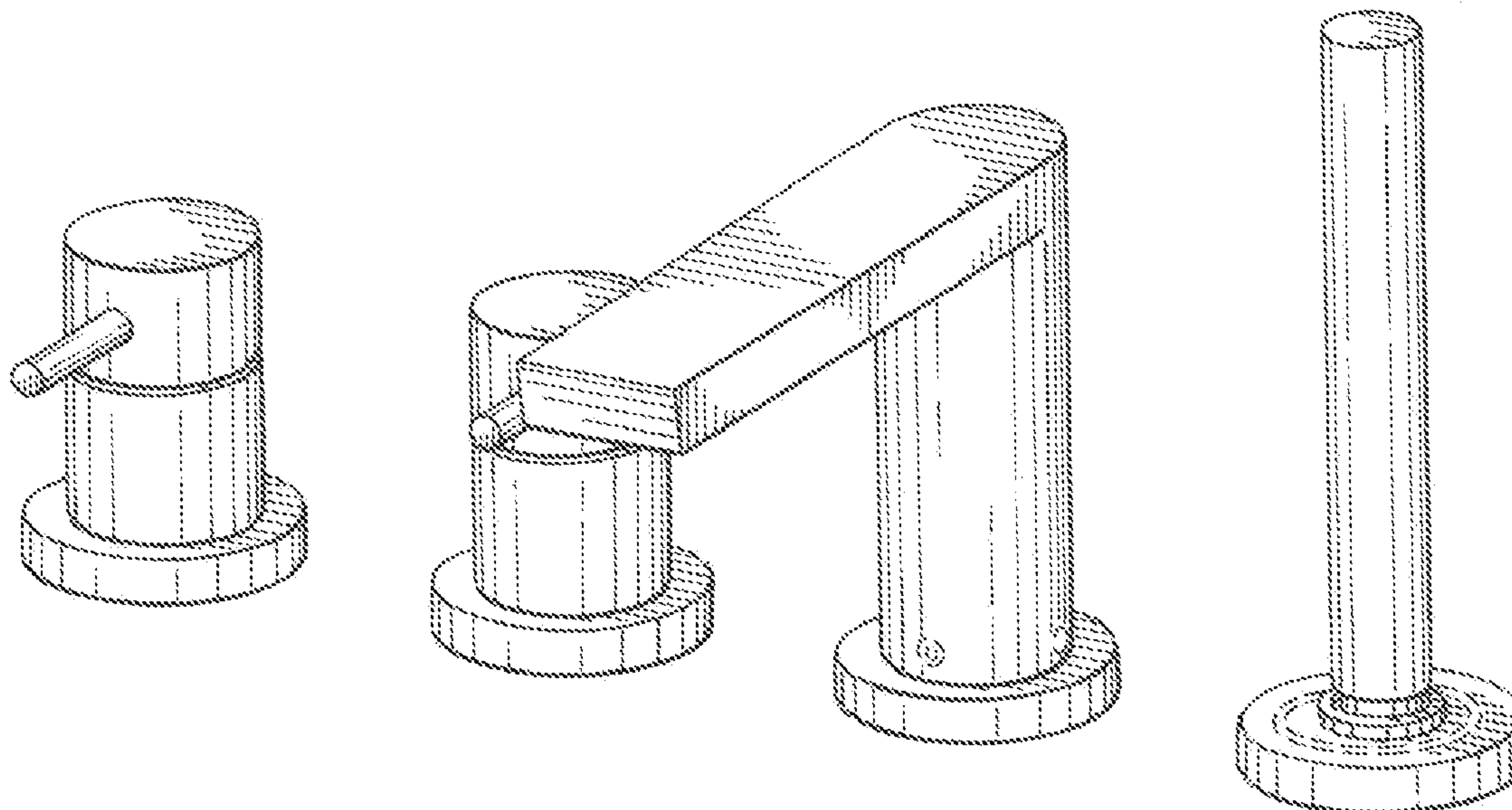


FIG. 1

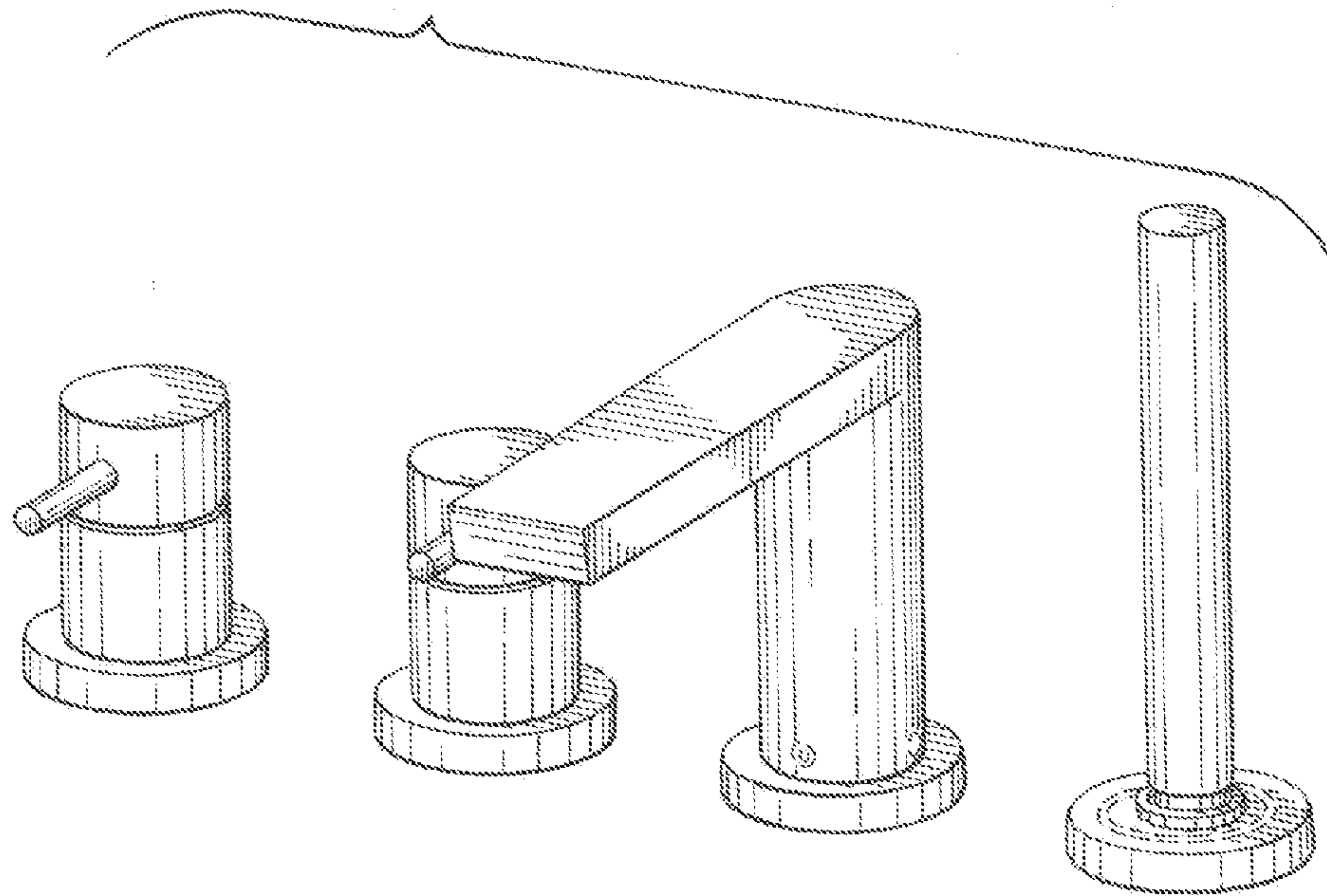


FIG. 2

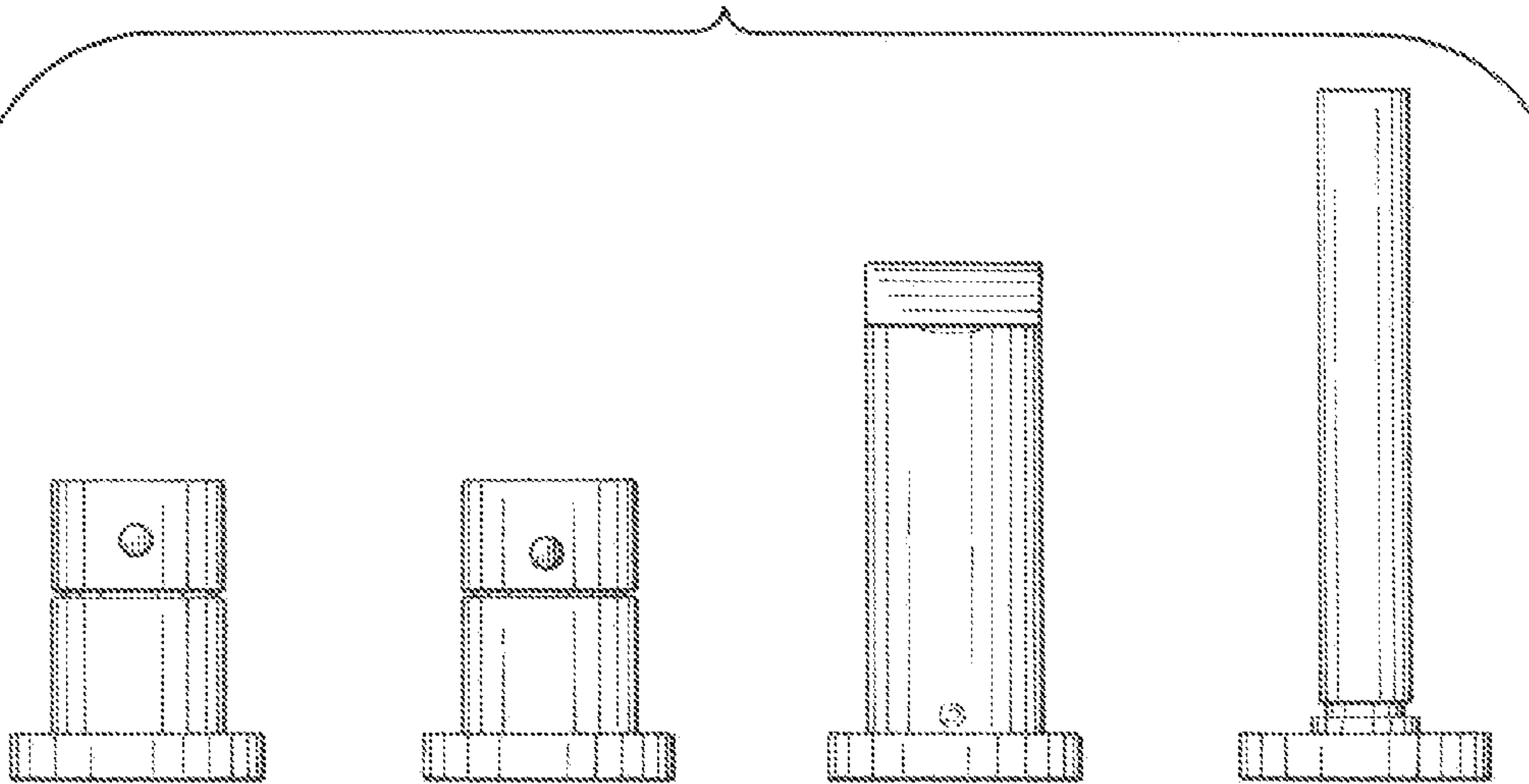


FIG. 3

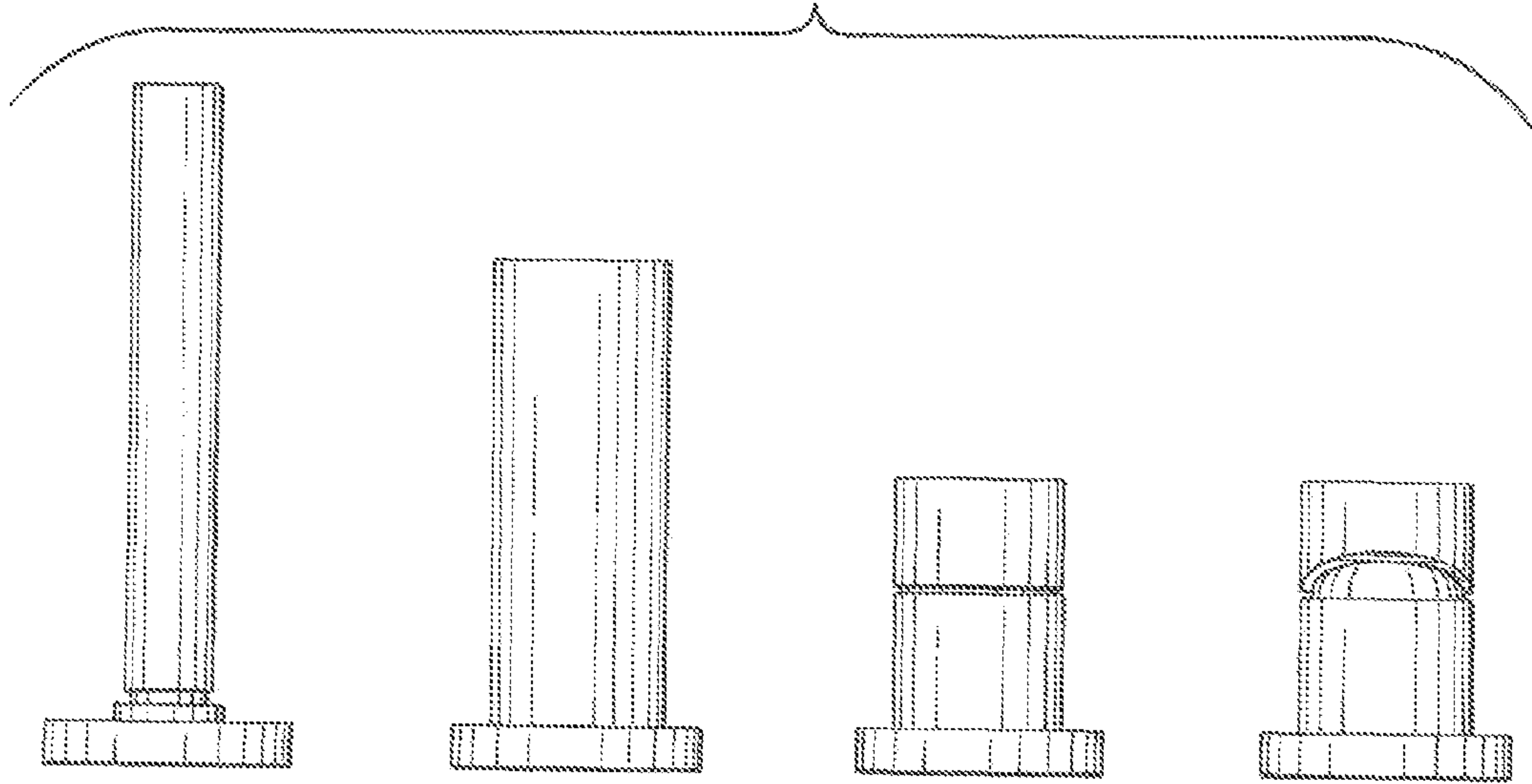


FIG. 4

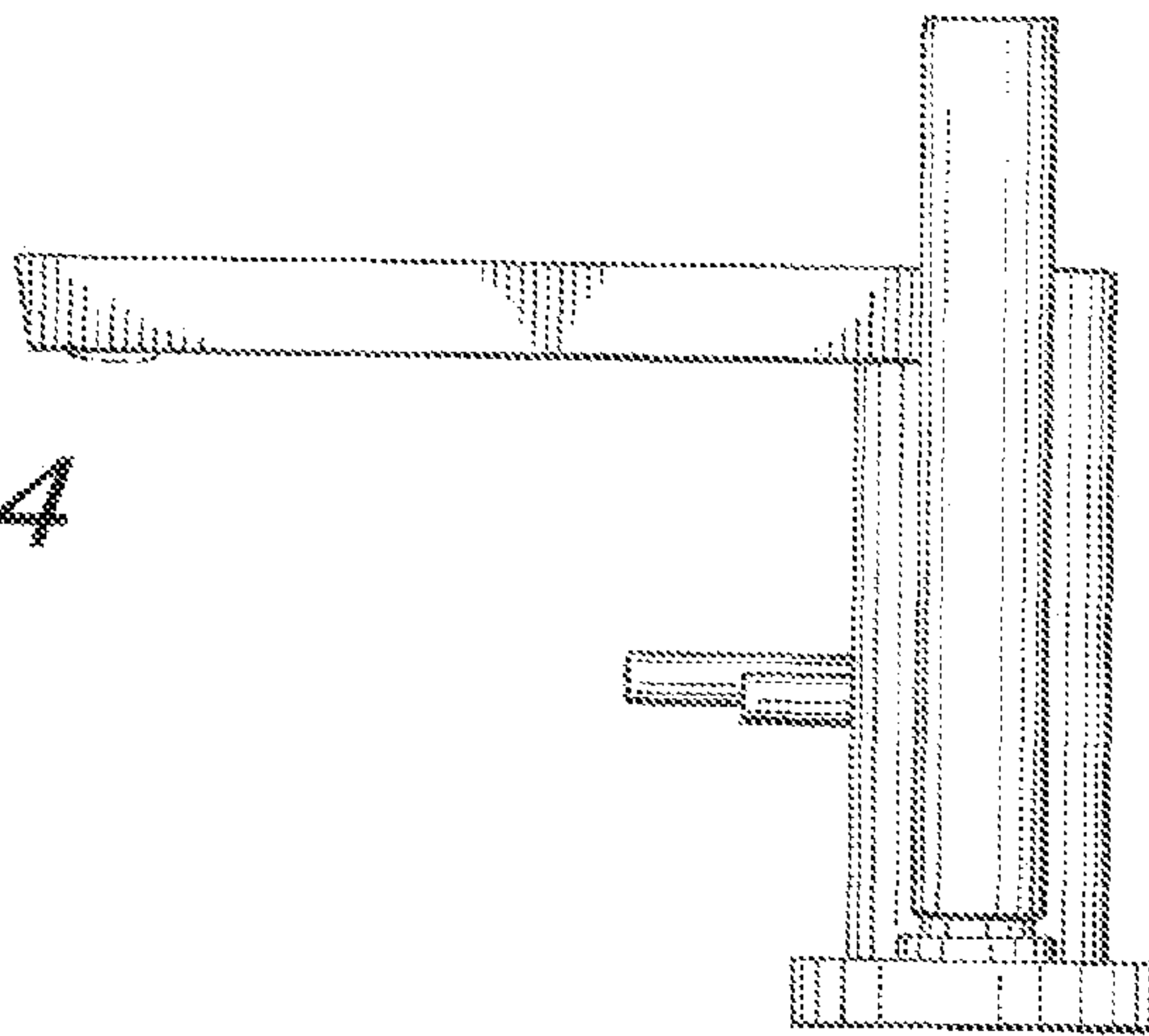


FIG. 5

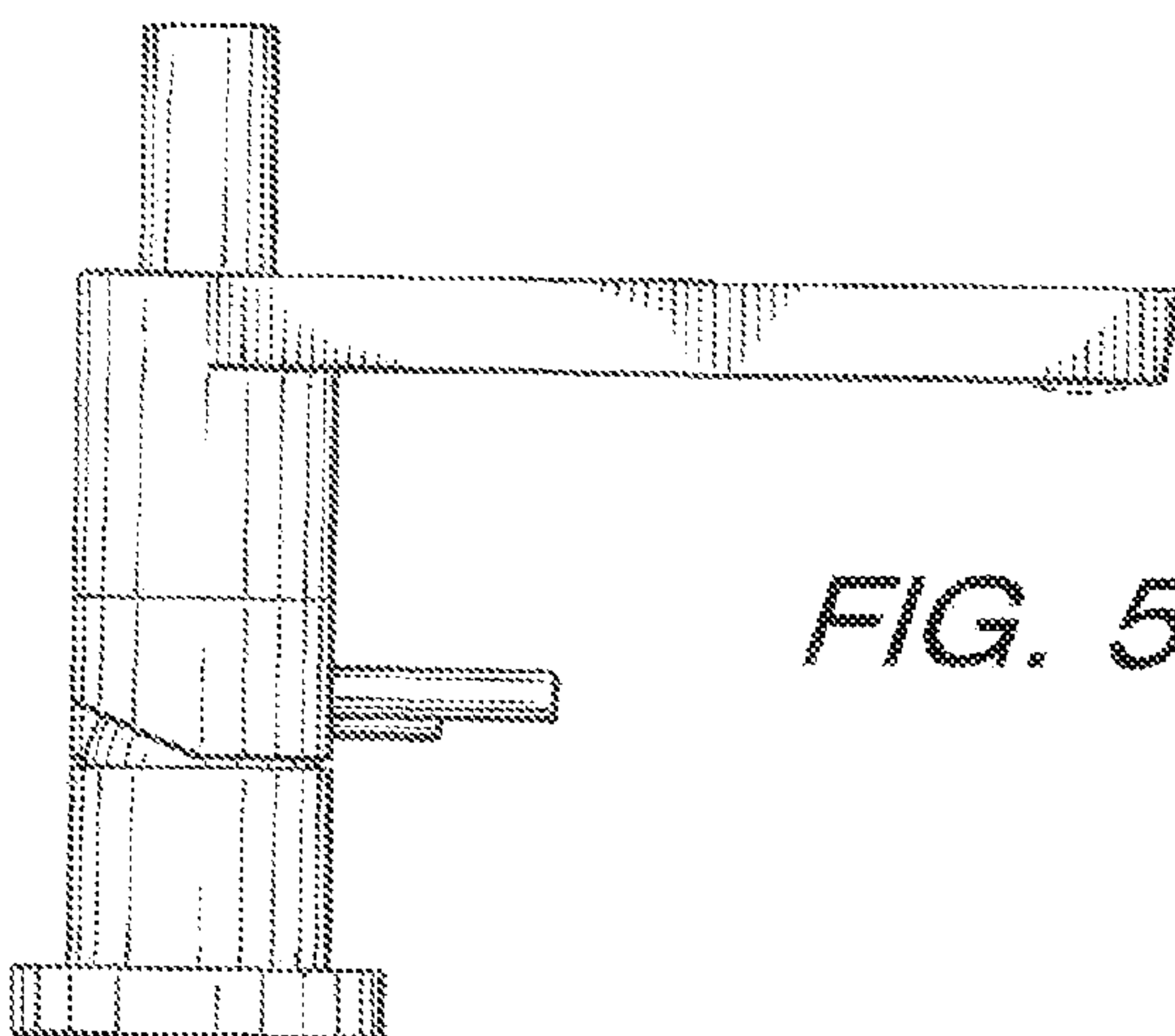


FIG. 6

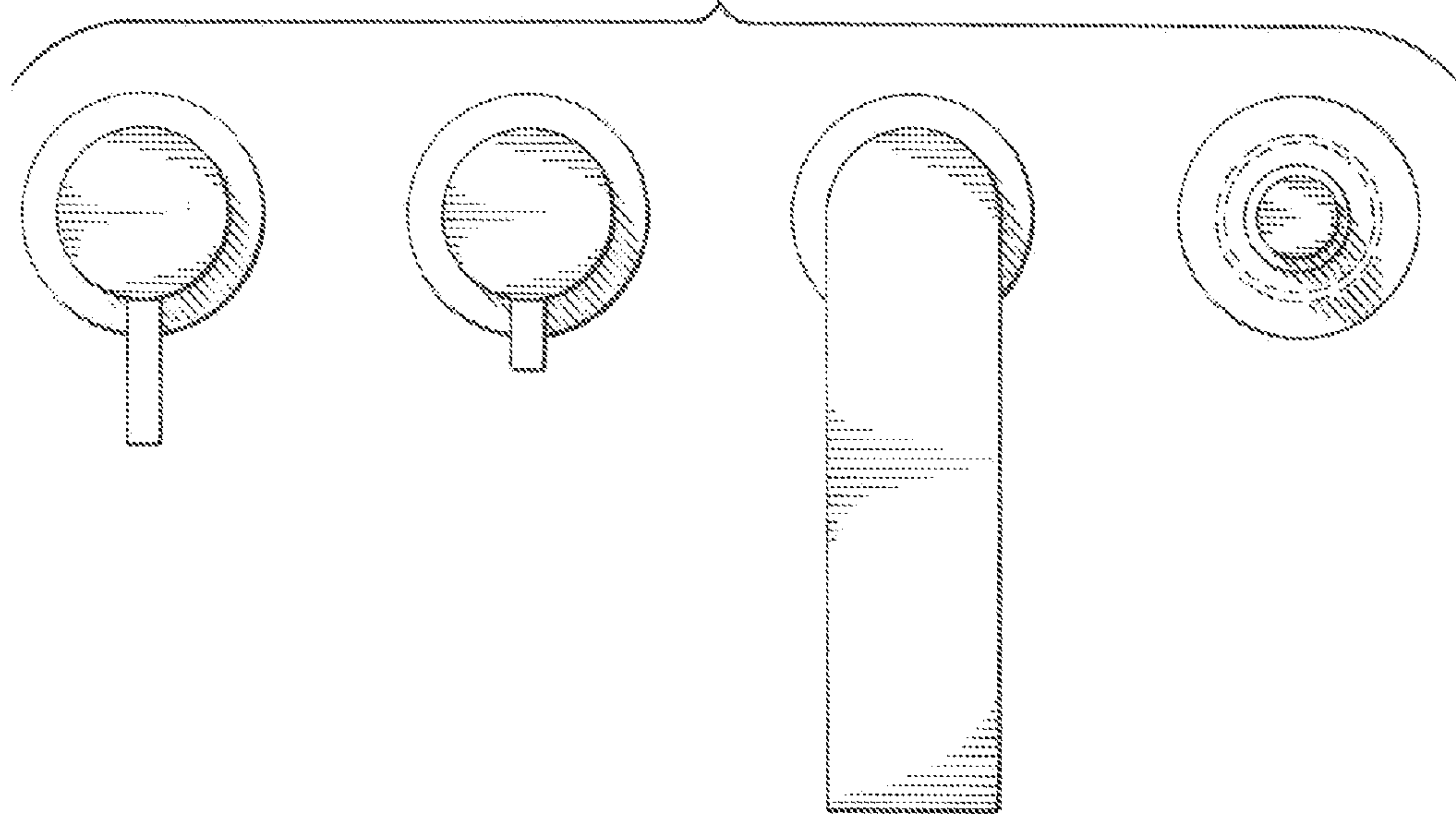


FIG. 7

