



US00D603480S

(12) **United States Design Patent**
Ibanez Sapina

(10) **Patent No.:** **US D603,480 S**

(45) **Date of Patent:** **** Nov. 3, 2009**

(54) **VALVE**

7,306,010 B2 * 12/2007 Gruener, Sr. 137/797

* cited by examiner

(75) Inventor: **Miguel Ibanez Sapina**, Granollers (ES)

Primary Examiner—Cathron C. Brooks

(73) Assignee: **Cepex, S.A.U.**, Granoller (Barcelona)
(ES)

Assistant Examiner—Maurice Stevens

(74) *Attorney, Agent, or Firm*—Merchant & Gould P.C.

(**) Term: **14 Years**

(57) **CLAIM**

(21) Appl. No.: **29/270,999**

The ornamental design for a valve, as shown and described.

(22) Filed: **Jan. 8, 2007**

DESCRIPTION

(51) **LOC (9) Cl.** **23-01**

FIG. 1 is a perspective view of a valve in accordance with my invention thereof;

(52) **U.S. Cl.** **D23/233**

FIG. 2 is a rear view thereof;

(58) **Field of Classification Search** D23/233–237,
D23/244–245; 251/310, 315.14, 315.16

FIG. 3 is a right side view thereof;

See application file for complete search history.

FIG. 4 is a left side view thereof;

FIG. 5 is a top view thereof;

(56) **References Cited**

FIG. 6 is a bottom view thereof; and,

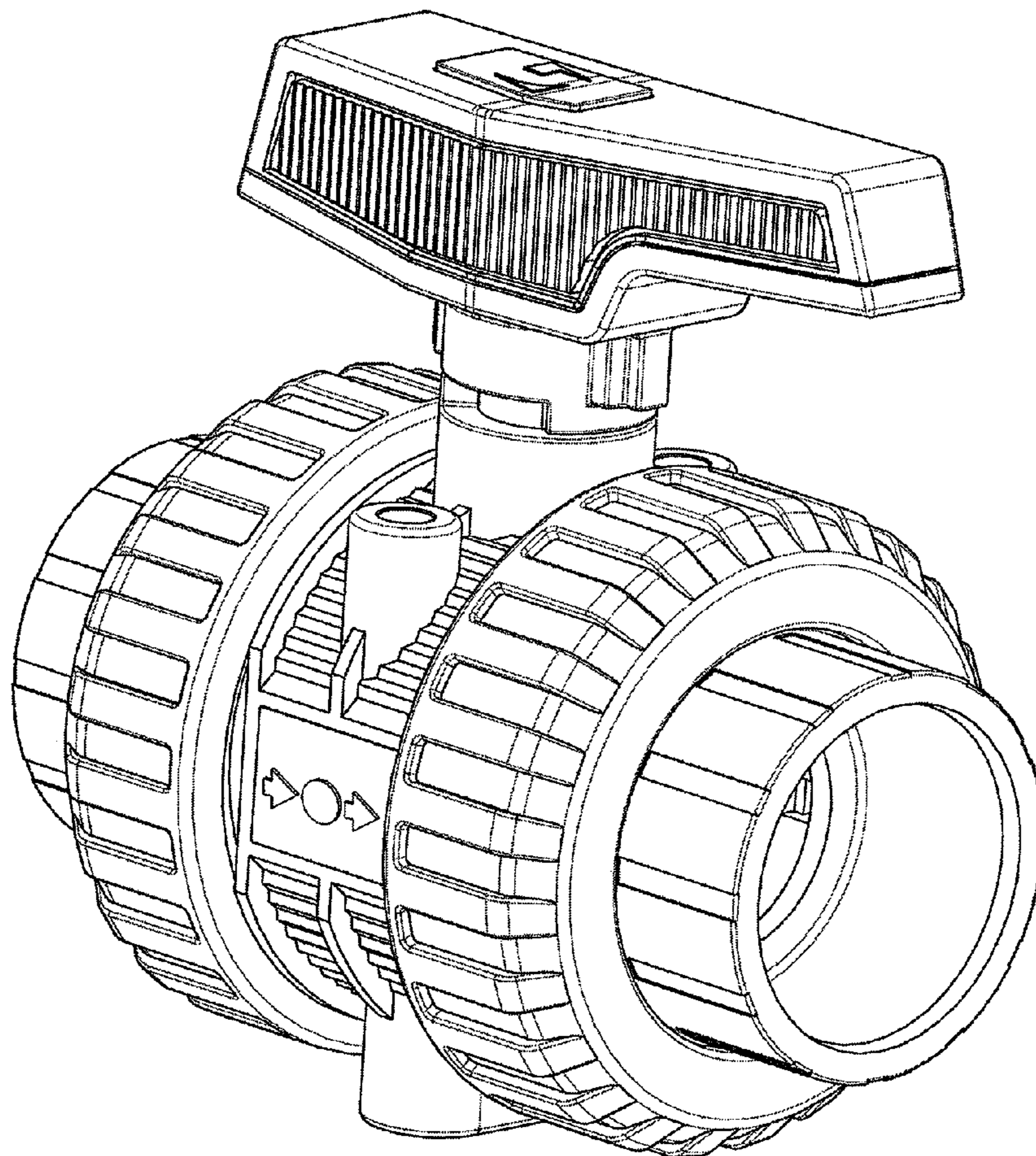
U.S. PATENT DOCUMENTS

FIG. 7 is a front view of a valve.

The broken lines showing unclaimed portions in FIGS. 2 and 7 form no part of the claimed design.

5,232,200	A *	8/1993	Combeau	251/315.01
D372,073	S *	7/1996	Ozaki et al.	D23/245
D505,184	S *	5/2005	Trappa	D23/245
D522,618	S *	6/2006	Matsushita	D23/245

1 Claim, 7 Drawing Sheets



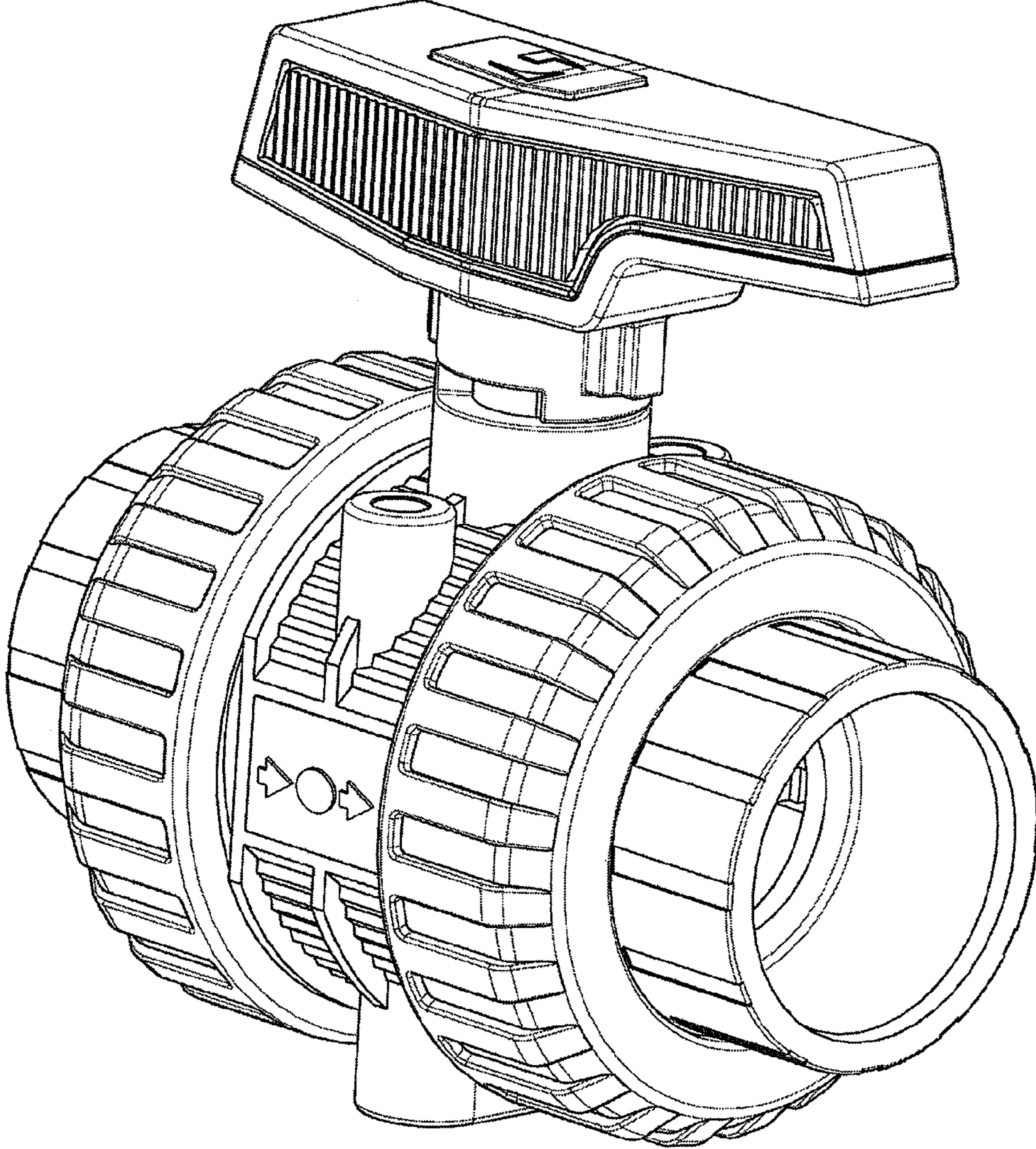
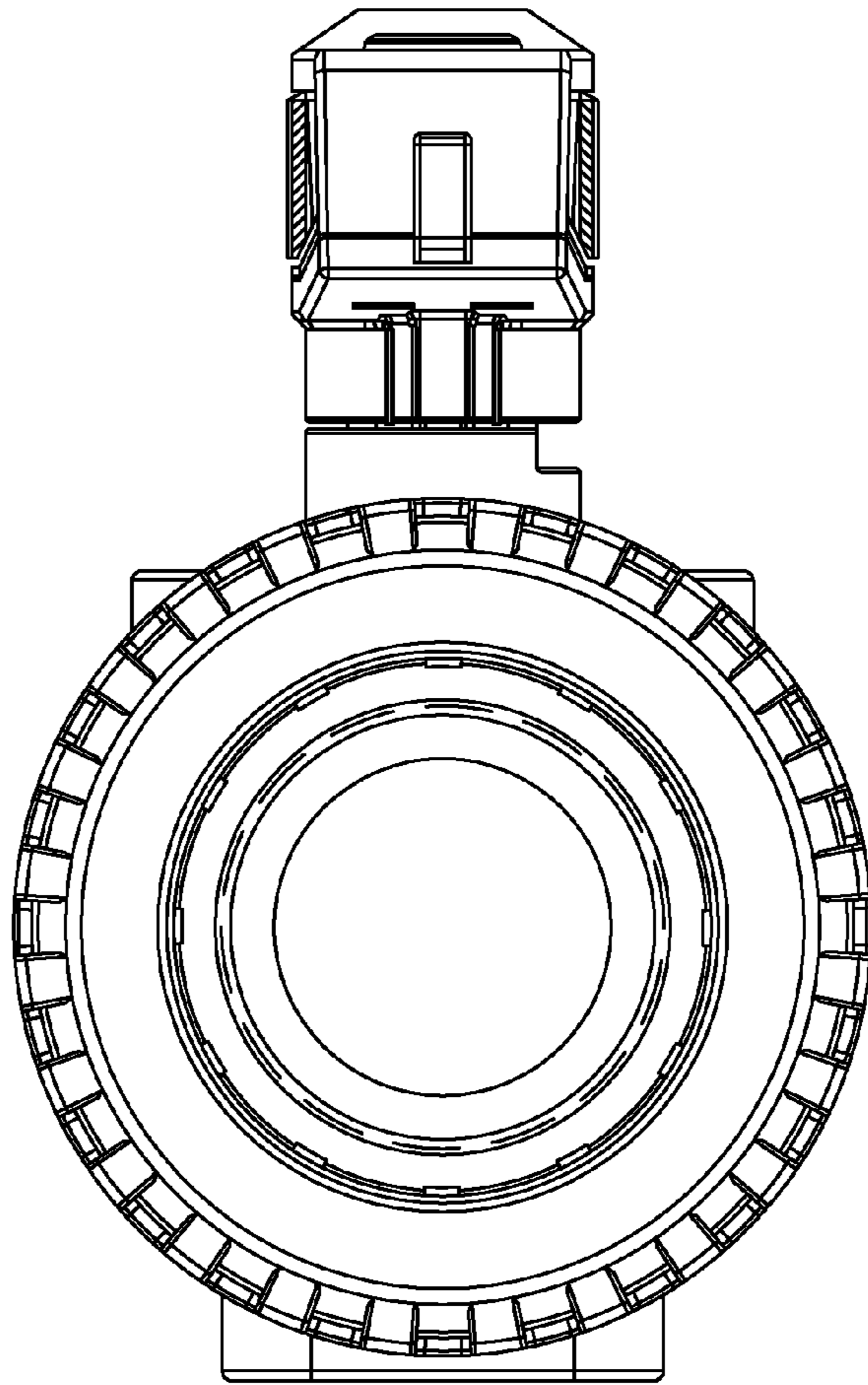


Fig. 1

FIG. 2



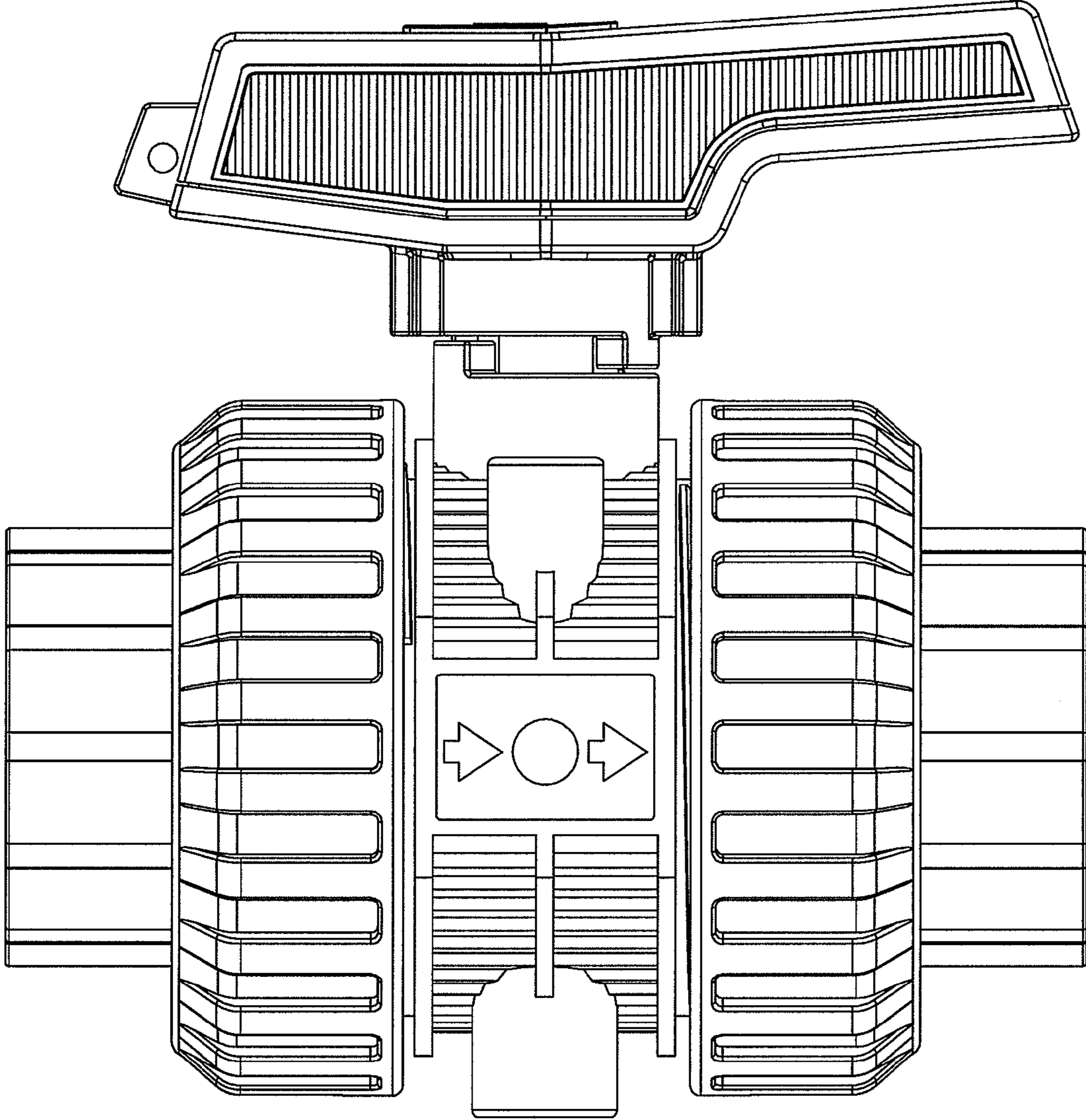


Fig. 3

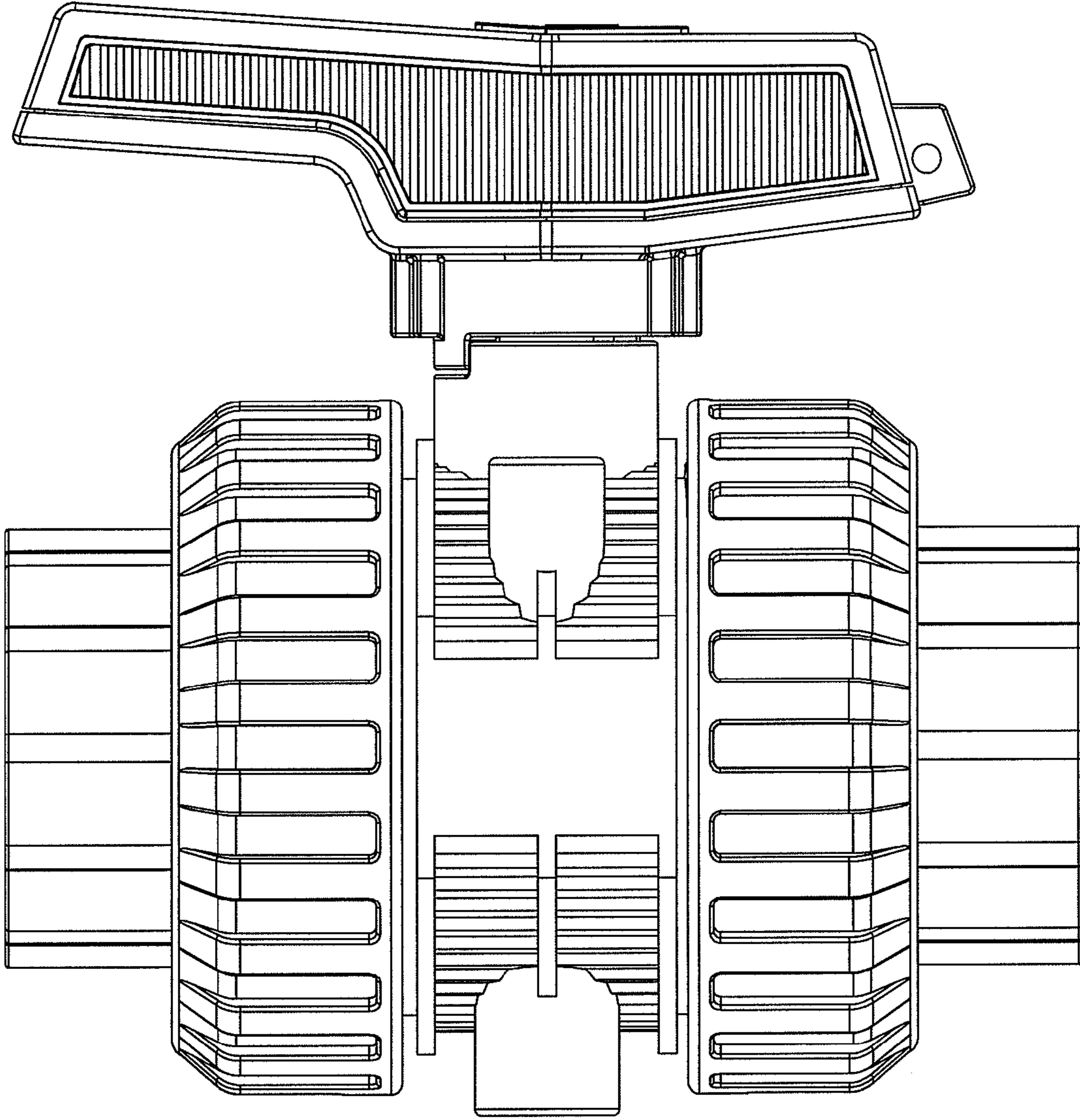


Fig. 4

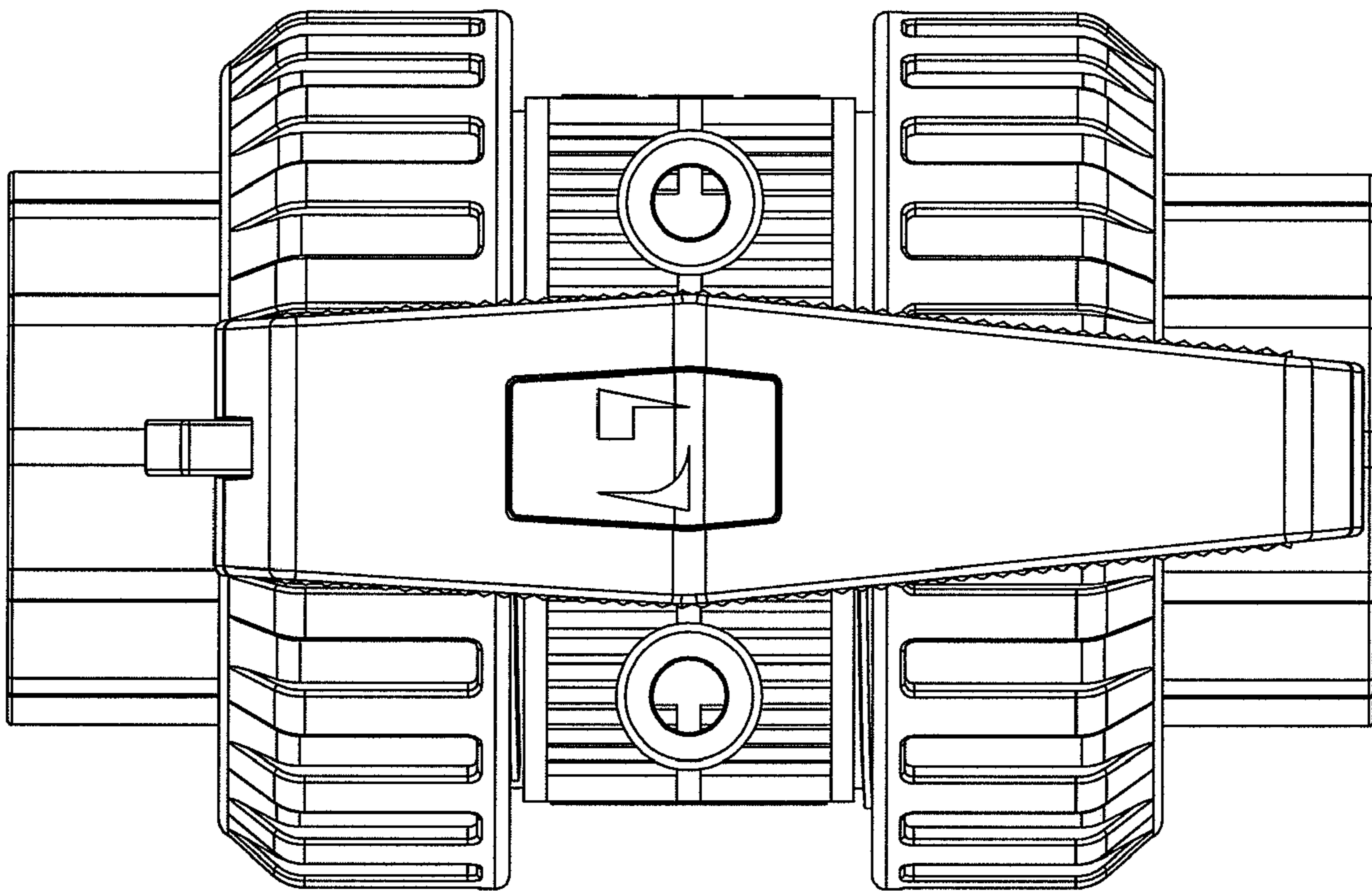


Fig. 5

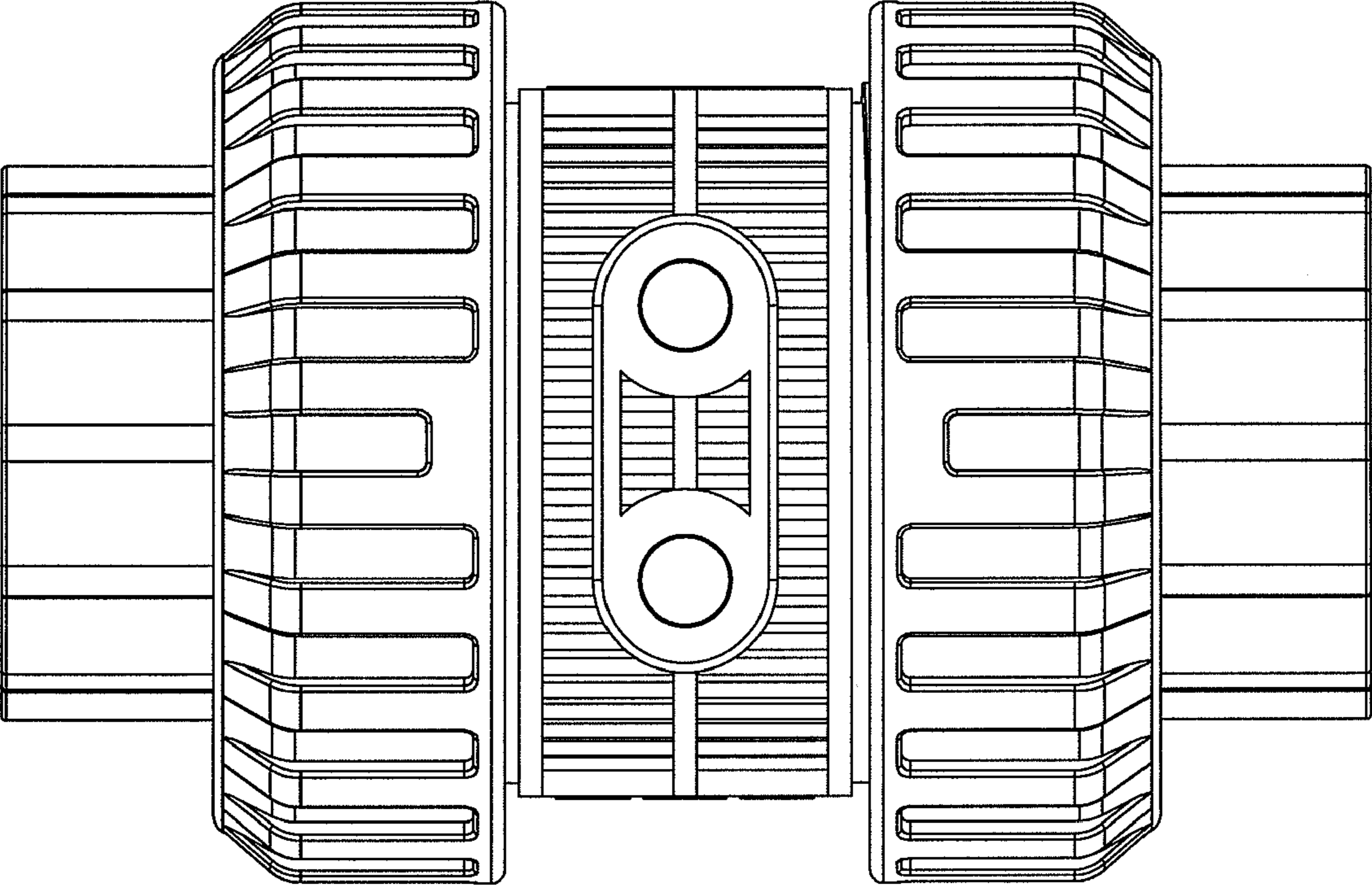


Fig. 6

FIG. 7

