



US00D603479S

(12) **United States Design Patent**
Koiwa

(10) **Patent No.:** **US D603,479 S**
(45) **Date of Patent:** **** Nov. 3, 2009**

(54) **SPRINKLER HEAD**
(75) Inventor: **Yasuaki Koiwa**, Ichinoseki (JP)
(73) Assignee: **Senju Sprinkler Co., Ltd.** (JP)
(**) Term: **14 Years**
(21) Appl. No.: **29/311,382**
(22) Filed: **Mar. 5, 2009**

6,868,917 B2 * 3/2005 Meyer et al. 169/37
6,962,208 B2 * 11/2005 Franson et al. 169/37
7,070,122 B2 * 7/2006 Burcham et al. 239/231
7,104,335 B2 * 9/2006 Shim 169/37
7,314,093 B2 * 1/2008 Orr 169/37

* cited by examiner

Primary Examiner—Robin V Webster
(74) *Attorney, Agent, or Firm*—Bacon & Thomas, PLLC

(30) **Foreign Application Priority Data**
Sep. 29, 2008 (JP) 2008-024766

(57) **CLAIM**

The ornamental design of a sprinkler head, as shown and described.

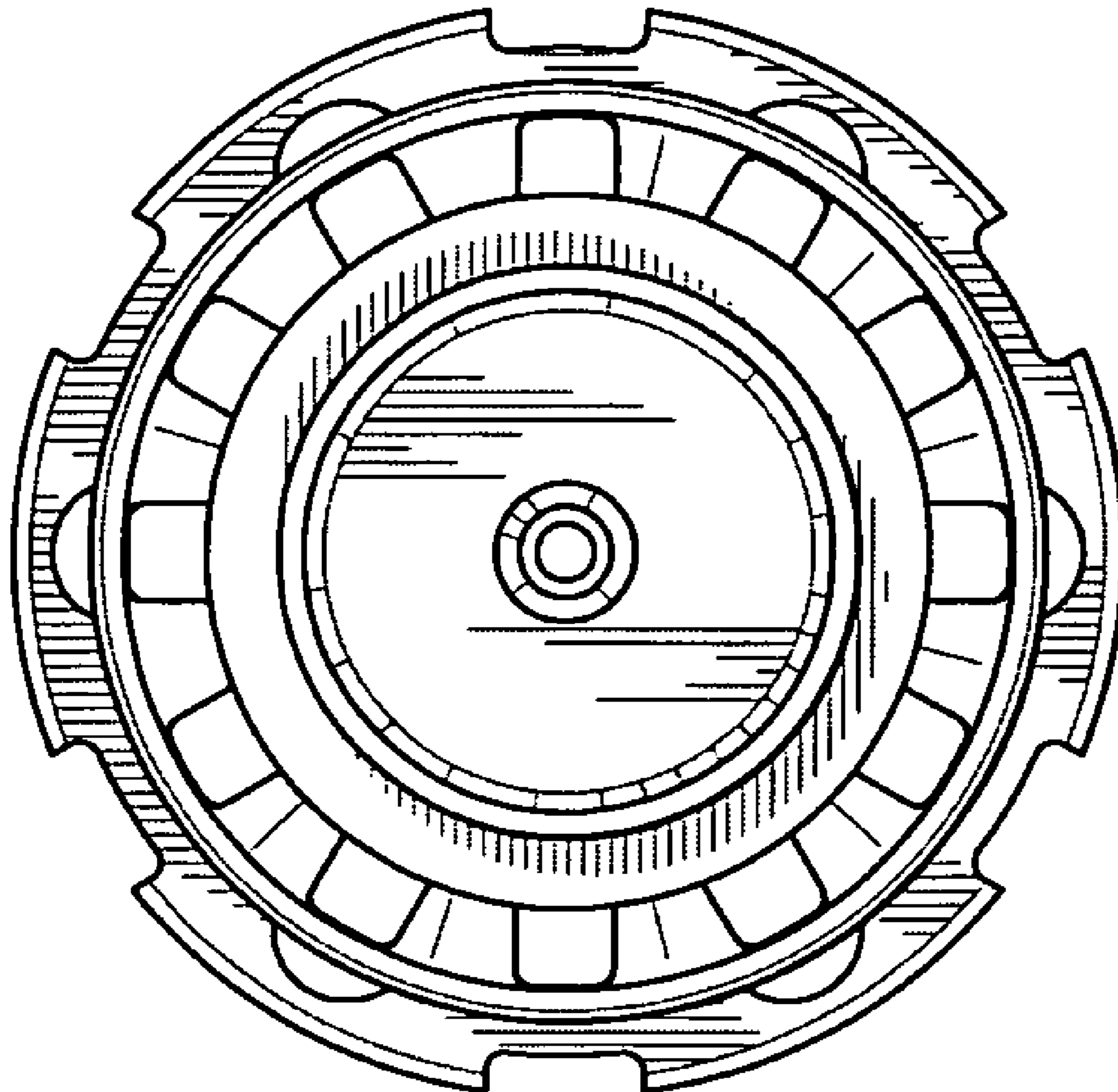
(51) **LOC (9) Cl.** **23-01**
(52) **U.S. Cl.** **D23/214**
(58) **Field of Classification Search** D23/213,
D23/214; 169/37, 38, 39
See application file for complete search history.

DESCRIPTION

FIG. 1 is a front view of the sprinkler head;
FIG. 2 is a back view thereof;
FIG. 3 is a right side view thereof;
FIG. 4 is a plan view thereof;
FIG. 5 is a front view of the sprinkler head shown where the broken lines depicts what is hidden when mounted in a ceiling or wall; and,
FIG. 6 is a plan view thereof.

(56) **References Cited**
U.S. PATENT DOCUMENTS
4,134,458 A * 1/1979 Kimura 169/37
D348,719 S * 7/1994 Dolan D23/214
D399,553 S * 10/1998 Kumagai D23/213
6,098,718 A * 8/2000 Sato 169/37

1 Claim, 3 Drawing Sheets



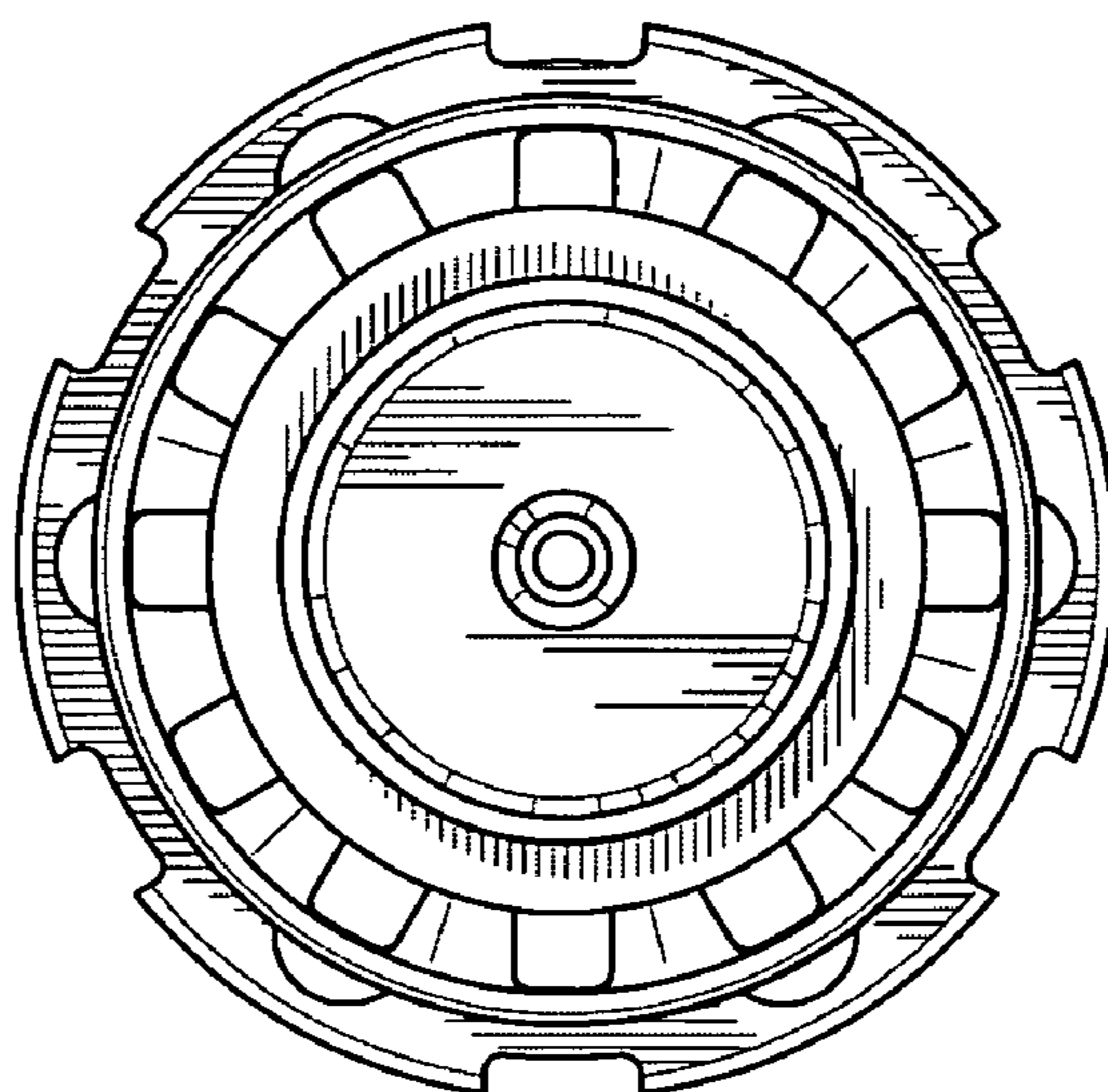


FIG. 1

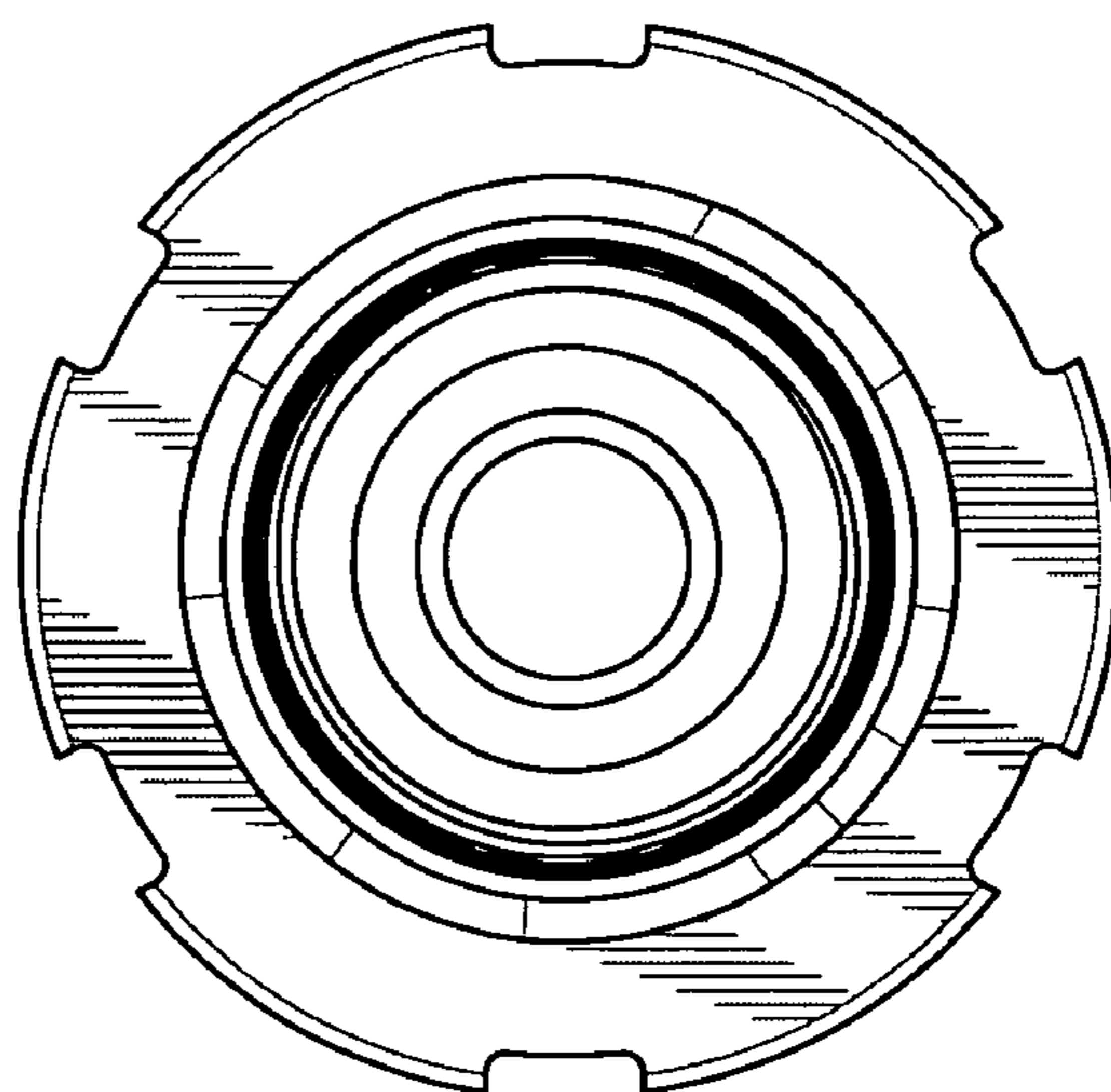


FIG. 2

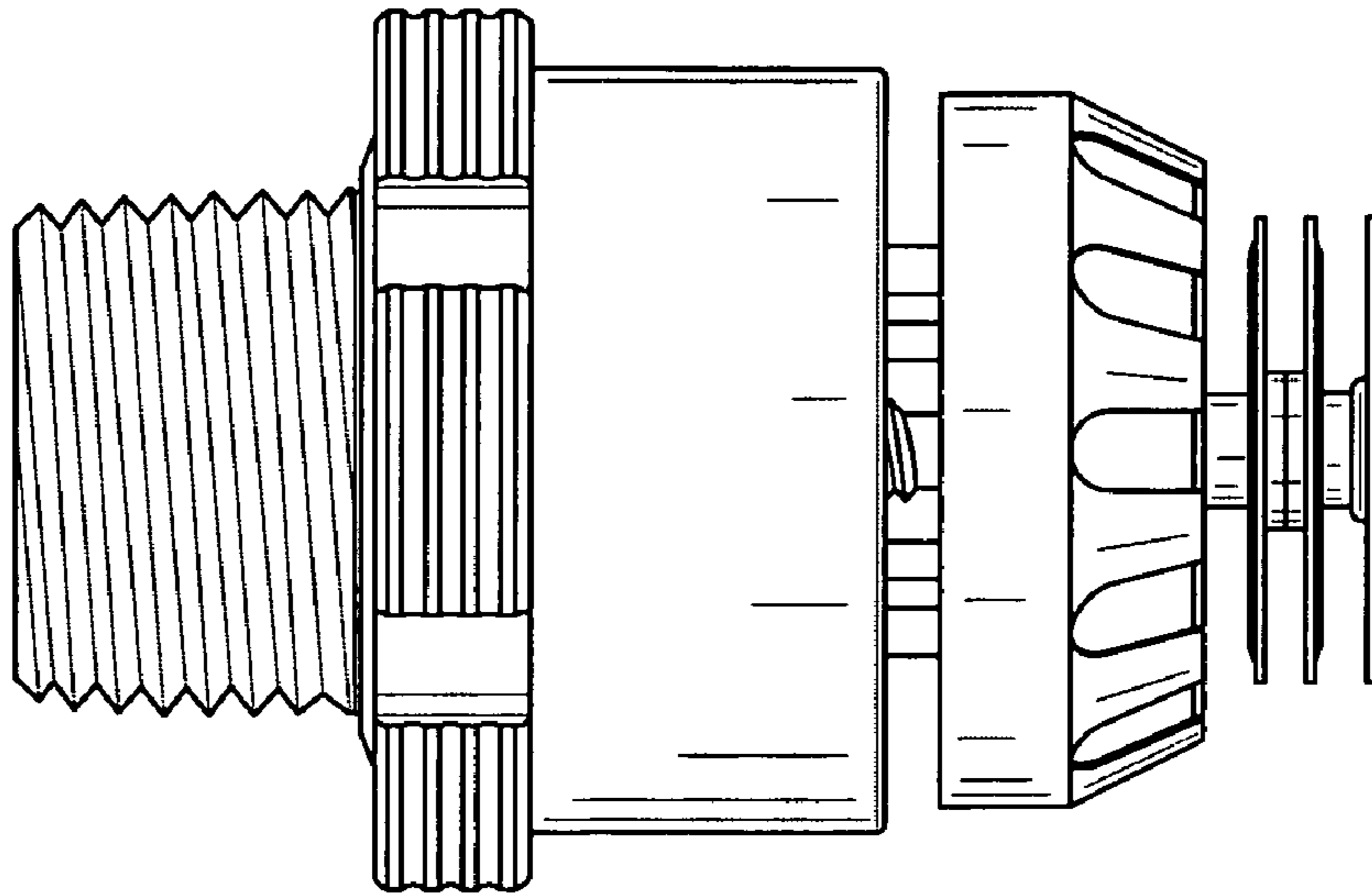


FIG. 3

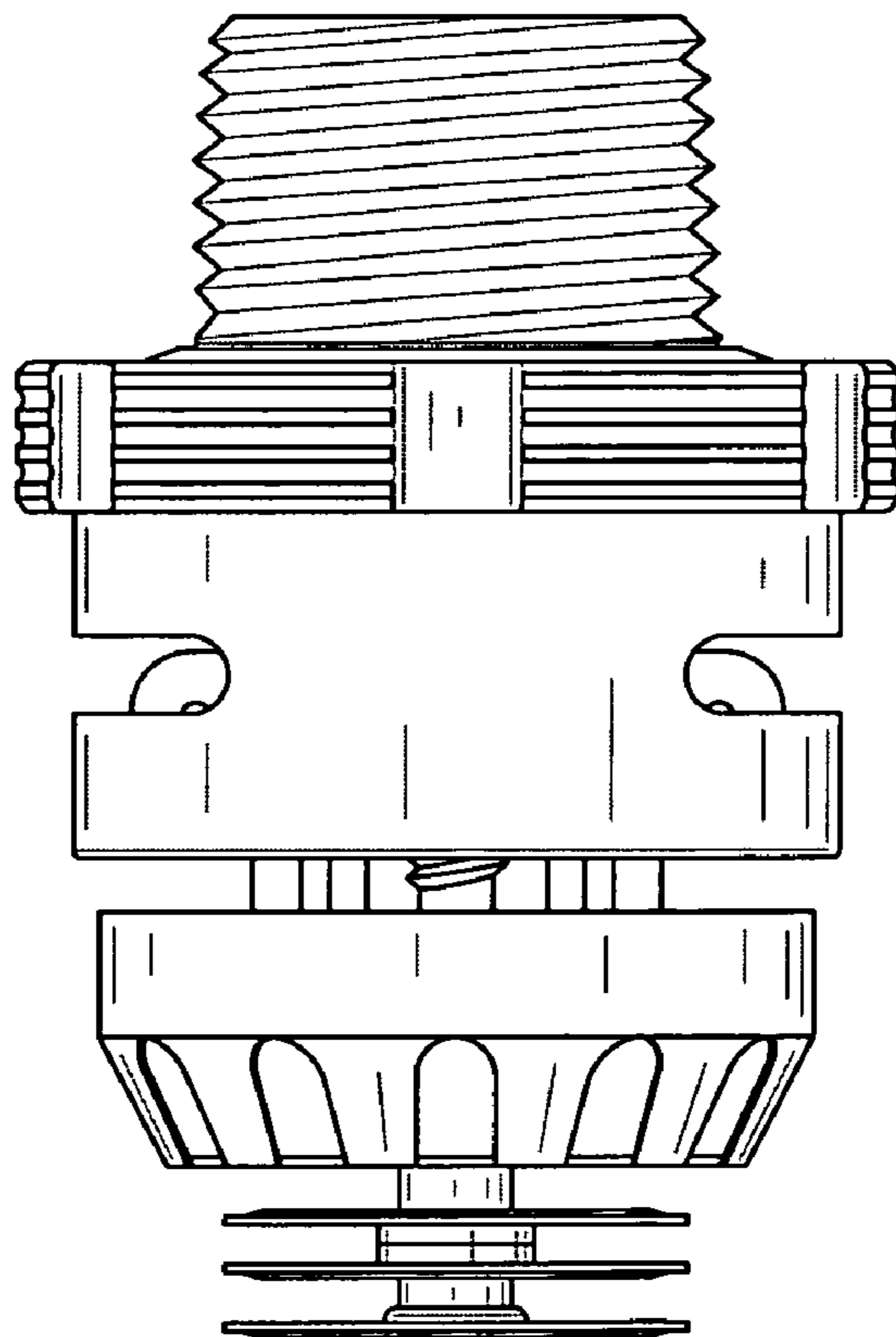


FIG. 4

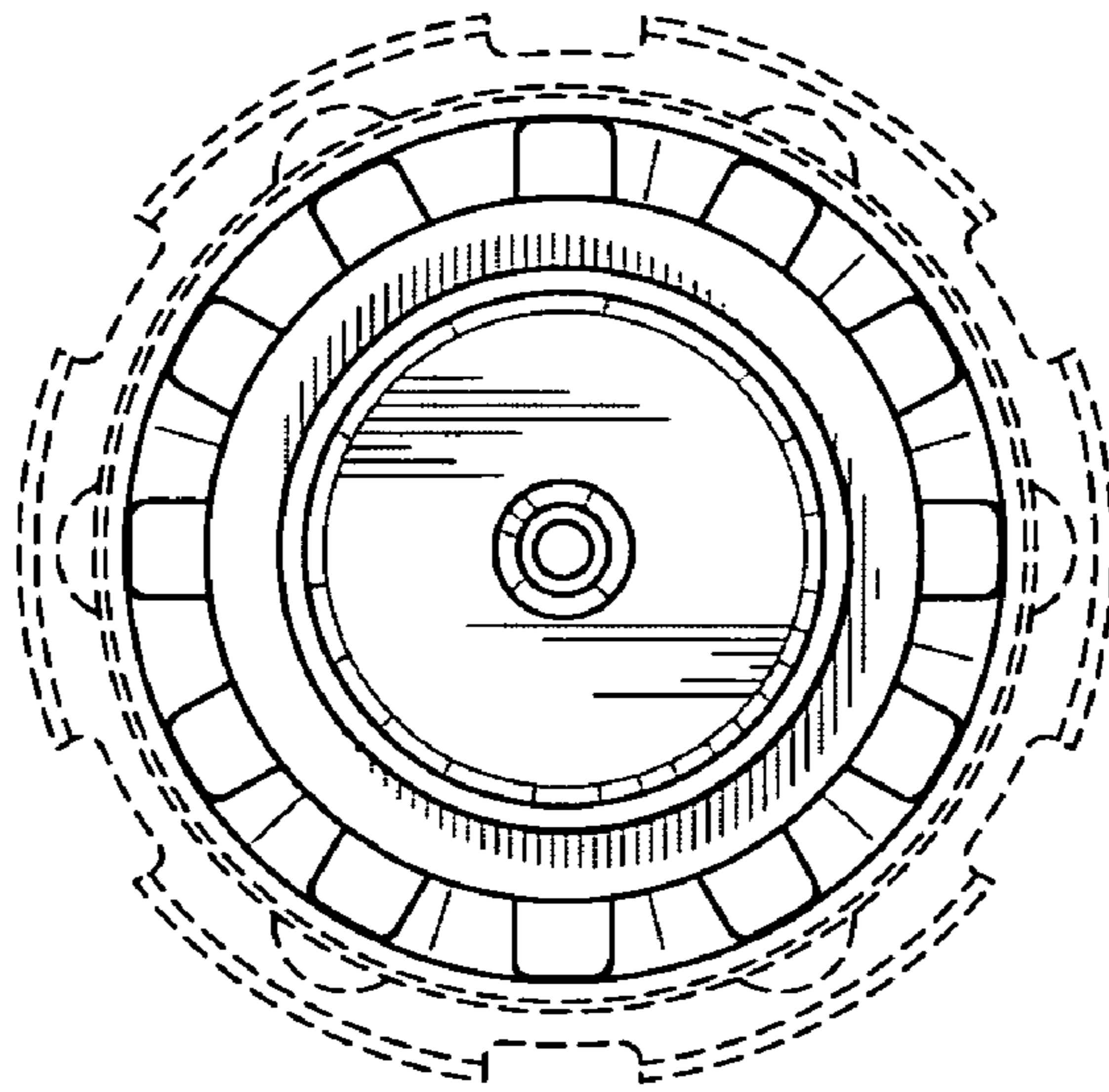


FIG. 5

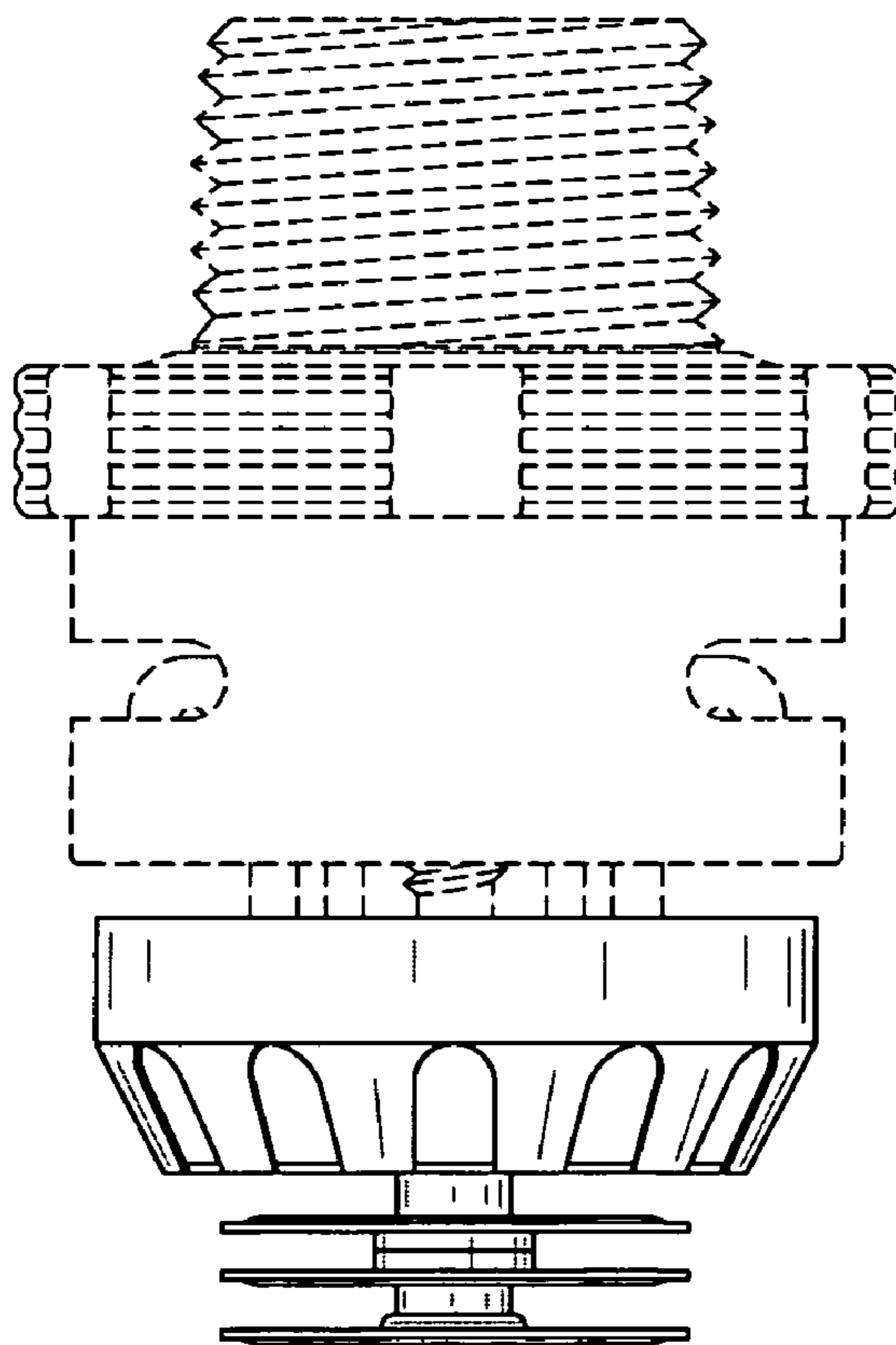


FIG. 6