



US00D603475S

(12) **United States Design Patent**
Hwang

(10) **Patent No.:** **US D603,475 S**

(45) **Date of Patent:** **** Nov. 3, 2009**

(54) **EXCAVATOR-SHAPED PLAYING STRUCTURE**

D524,897 S * 7/2006 VanDeusen et al. D21/820
D524,898 S * 7/2006 VanDeusen et al. D21/820
D524,899 S * 7/2006 VanDeusen et al. D21/820

(76) Inventor: **Sun-Ju Hwang**, PMB:348, 2530
Berryessa Rd., San Jose, CA (US) 95132

* cited by examiner

(**) Term: **14 Years**

Primary Examiner—Mitchell I Siegel
(74) *Attorney, Agent, or Firm*—Thomas H. Ham

(21) Appl. No.: **29/325,507**

(57) **CLAIM**

(22) Filed: **Oct. 1, 2008**

The ornamental design for a excavator-shaped playing structure, as shown and described.

(51) **LOC (9) Cl.** **21-02**

(52) **U.S. Cl.** **D21/827**

(58) **Field of Classification Search** D21/818-827;
482/35-36

DESCRIPTION

See application file for complete search history.

FIG. 1 is a perspective view of an excavator-shaped playing structure, showing my new design;

FIG. 2 is a right view thereof;

FIG. 3 is a left view thereof;

FIG. 4 is a front view thereof;

FIG. 5 is a back view thereof;

FIG. 6 is a top view thereof; and,

FIG. 7 is a bottom view thereof.

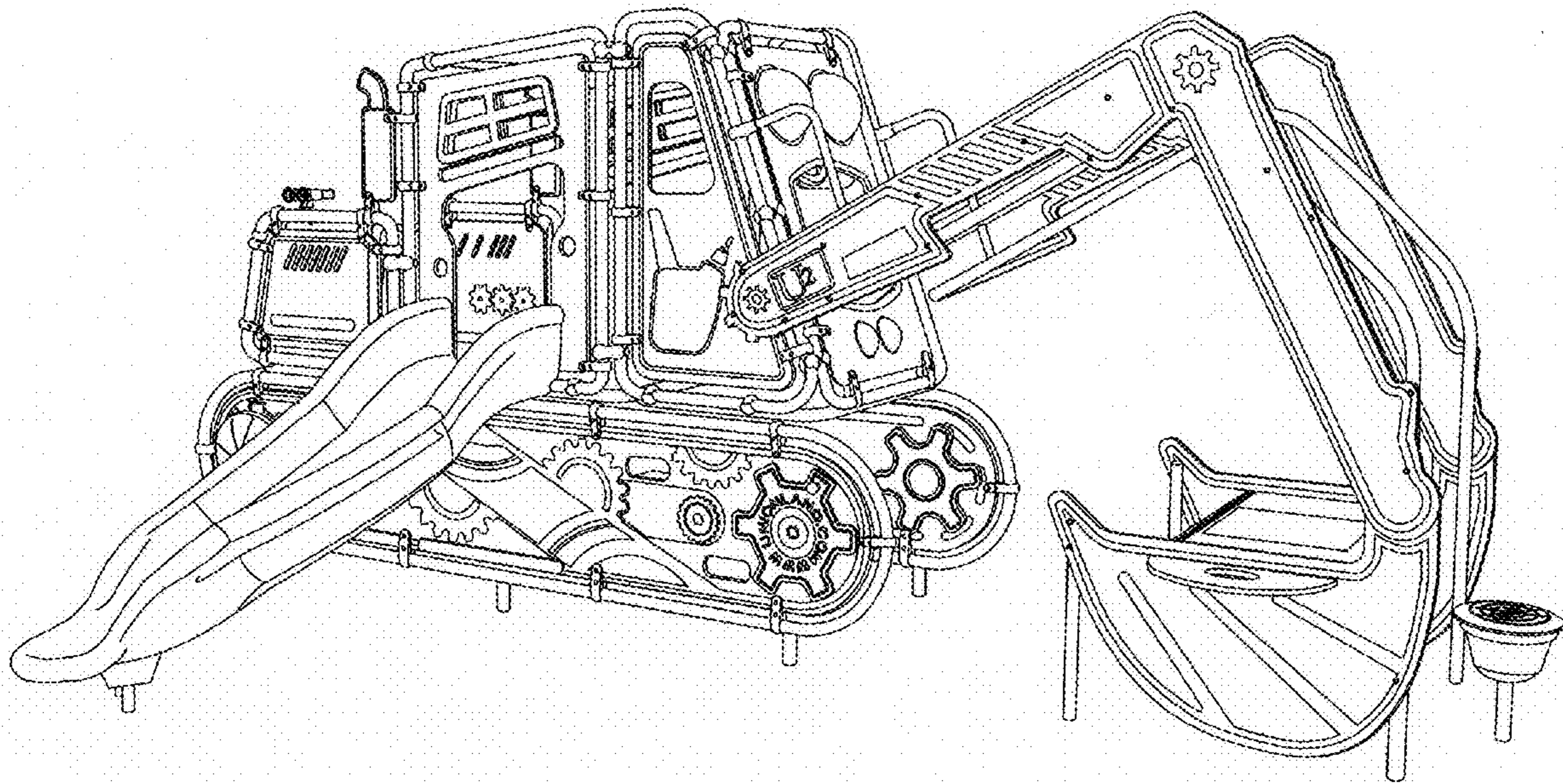
A playing structure in the shape of an excavator.

(56) **References Cited**

U.S. PATENT DOCUMENTS

D257,875 S *	1/1981	Rudy	D21/827
D281,893 S *	12/1985	Addleman	D21/827
D334,040 S *	3/1993	Chou et al.	D21/820
D334,045 S *	3/1993	Chou et al.	D21/820
D374,700 S *	10/1996	van Huystee	D21/818
D389,218 S *	1/1998	Walter	D21/815
D481,094 S *	10/2003	Van Deusen	D21/820
D524,896 S *	7/2006	VanDeusen et al.	D21/820

1 Claim, 7 Drawing Sheets



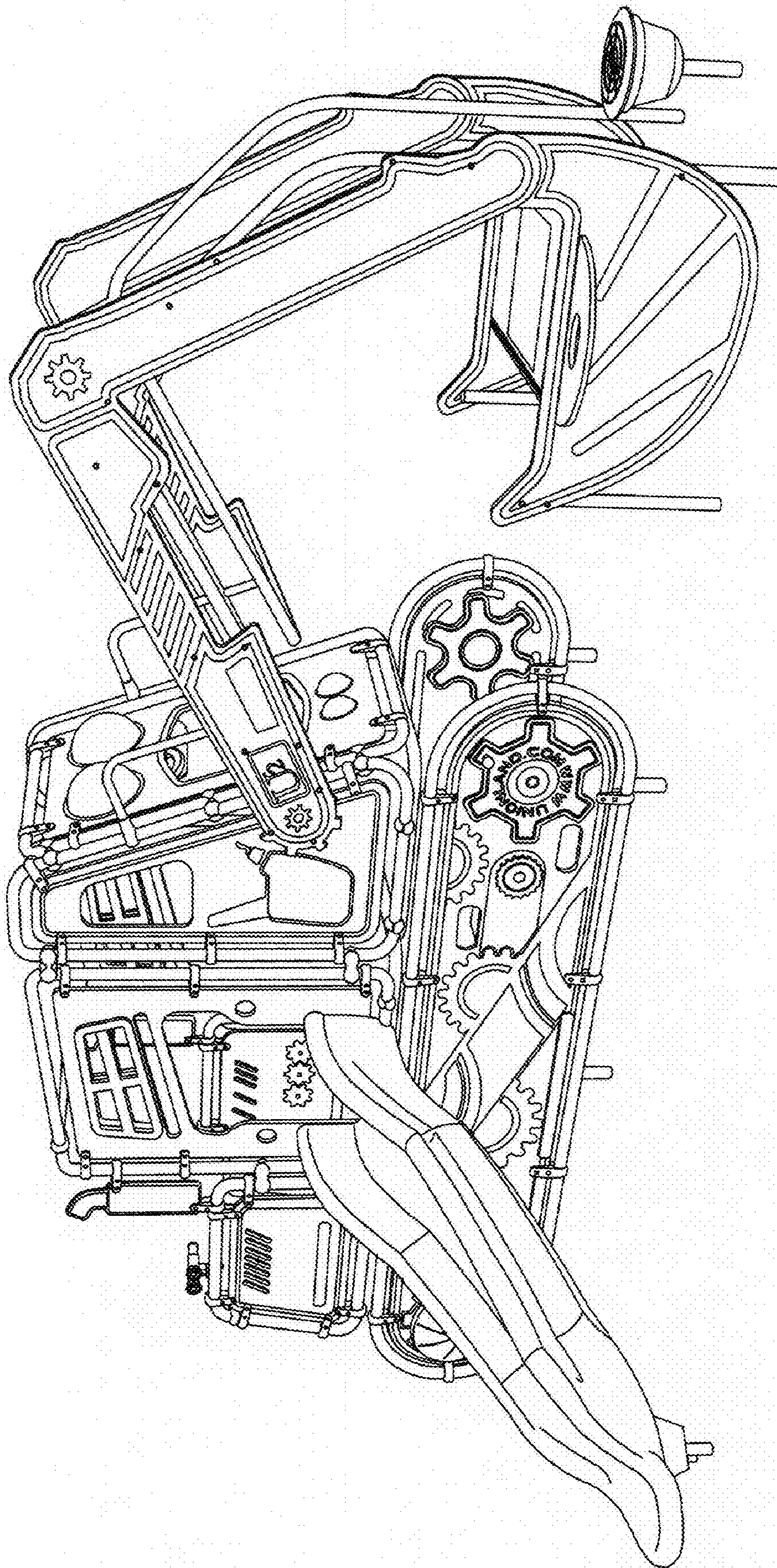


FIG. 1

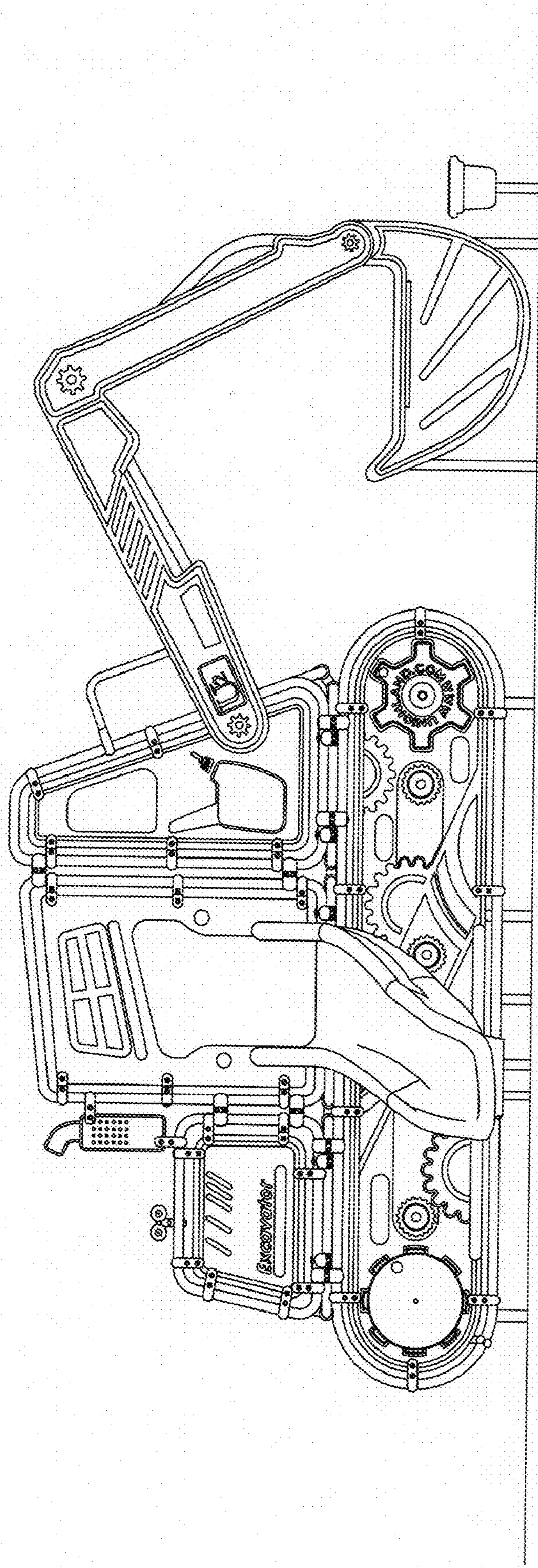


FIG. 2

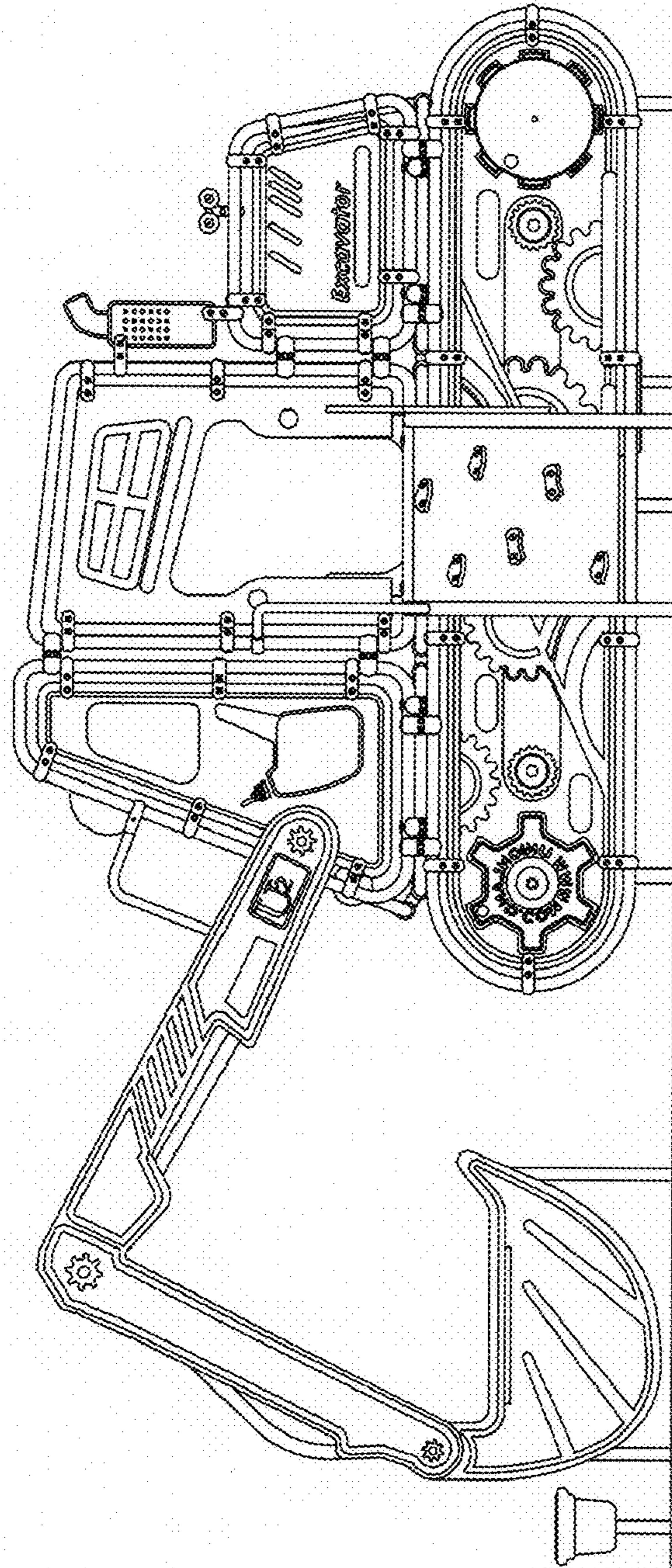


FIG. 3

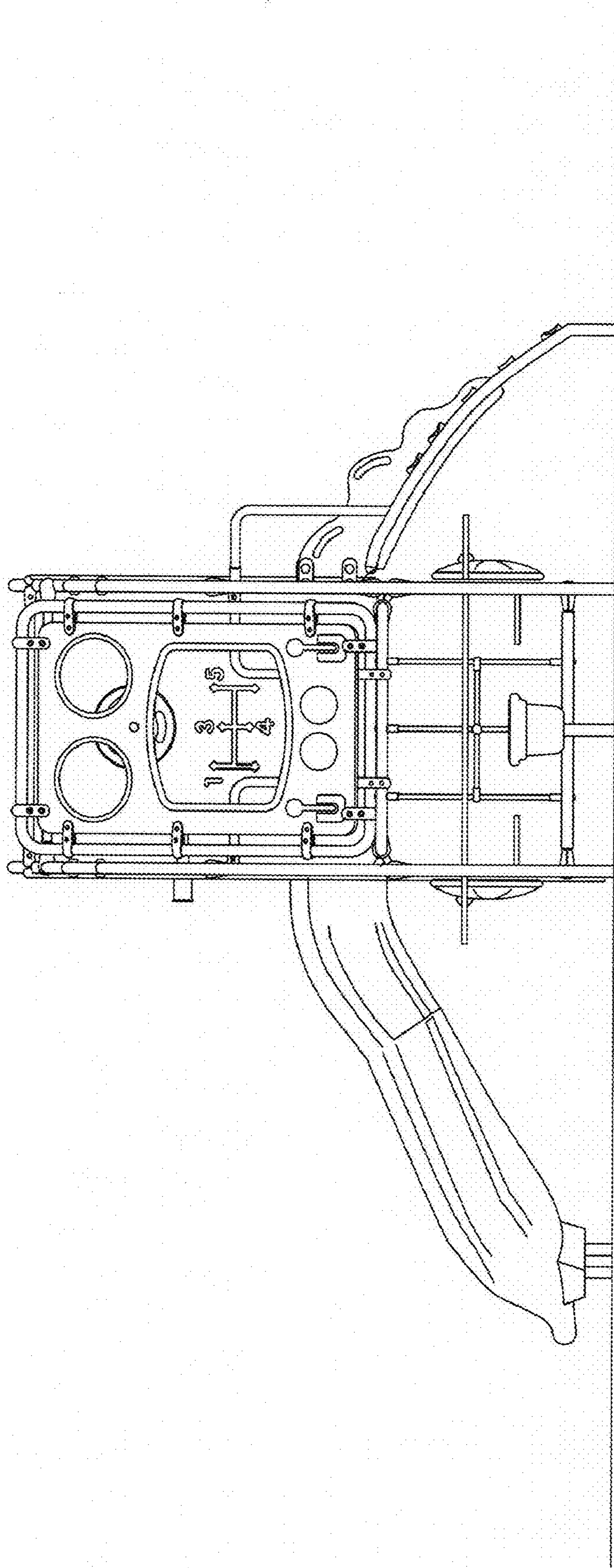


FIG. 4

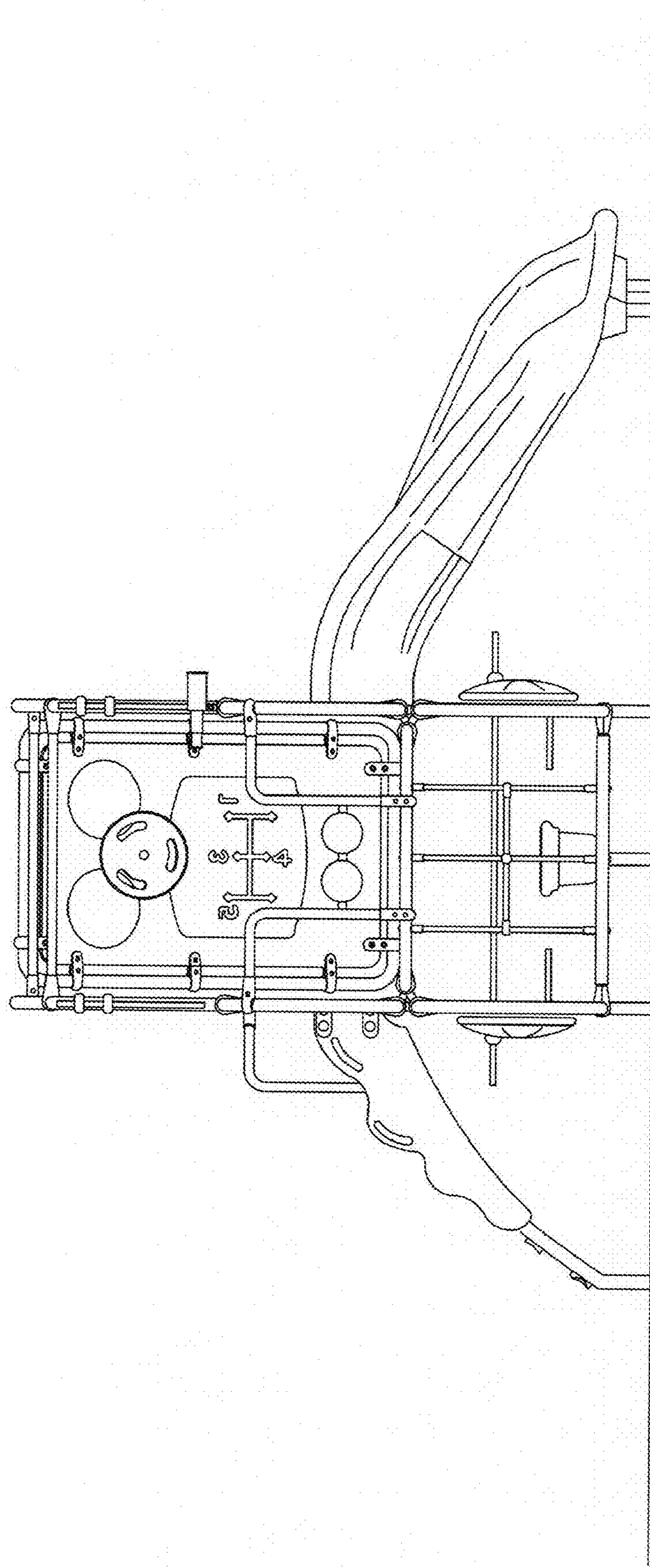


FIG. 5

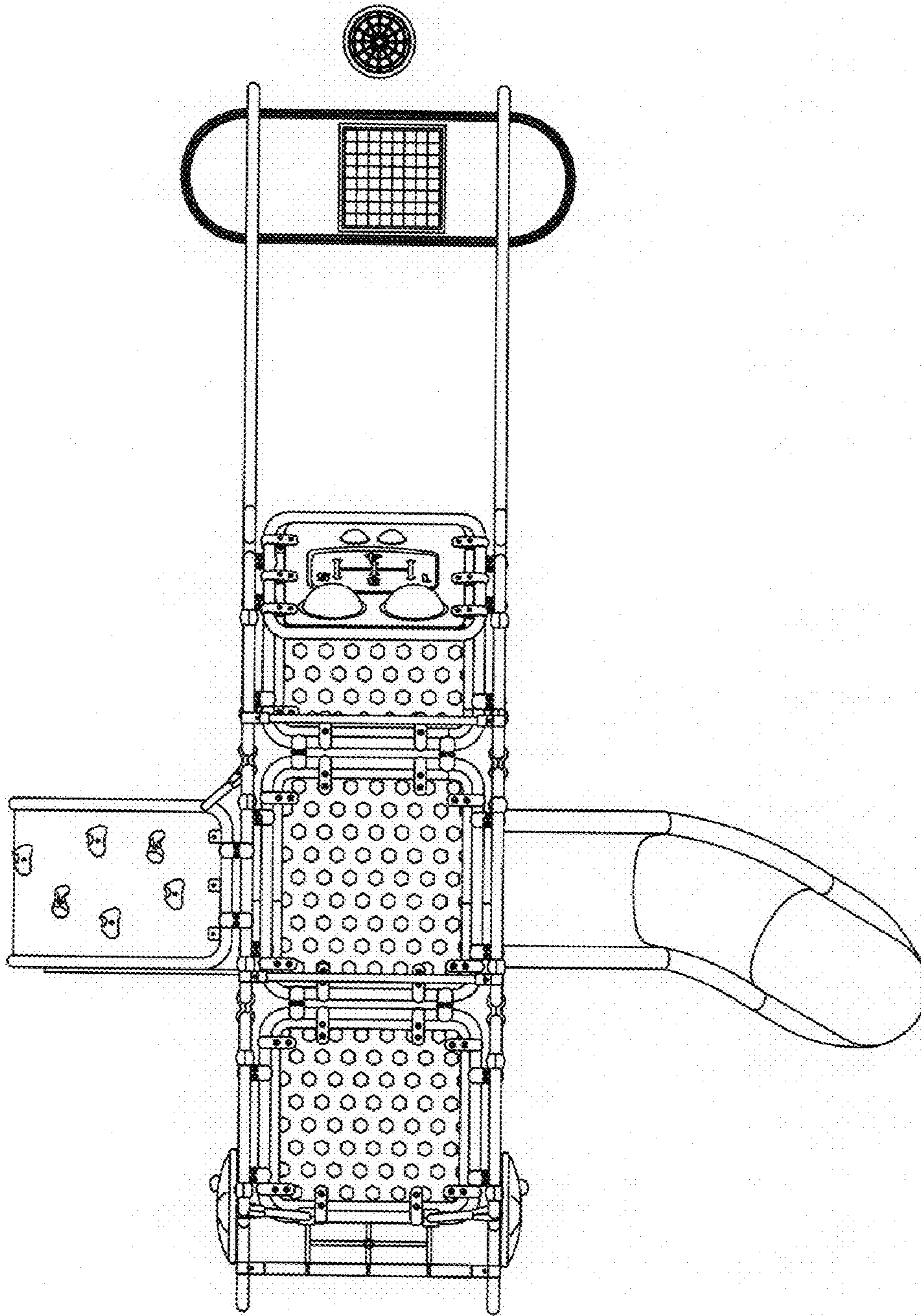


FIG. 6

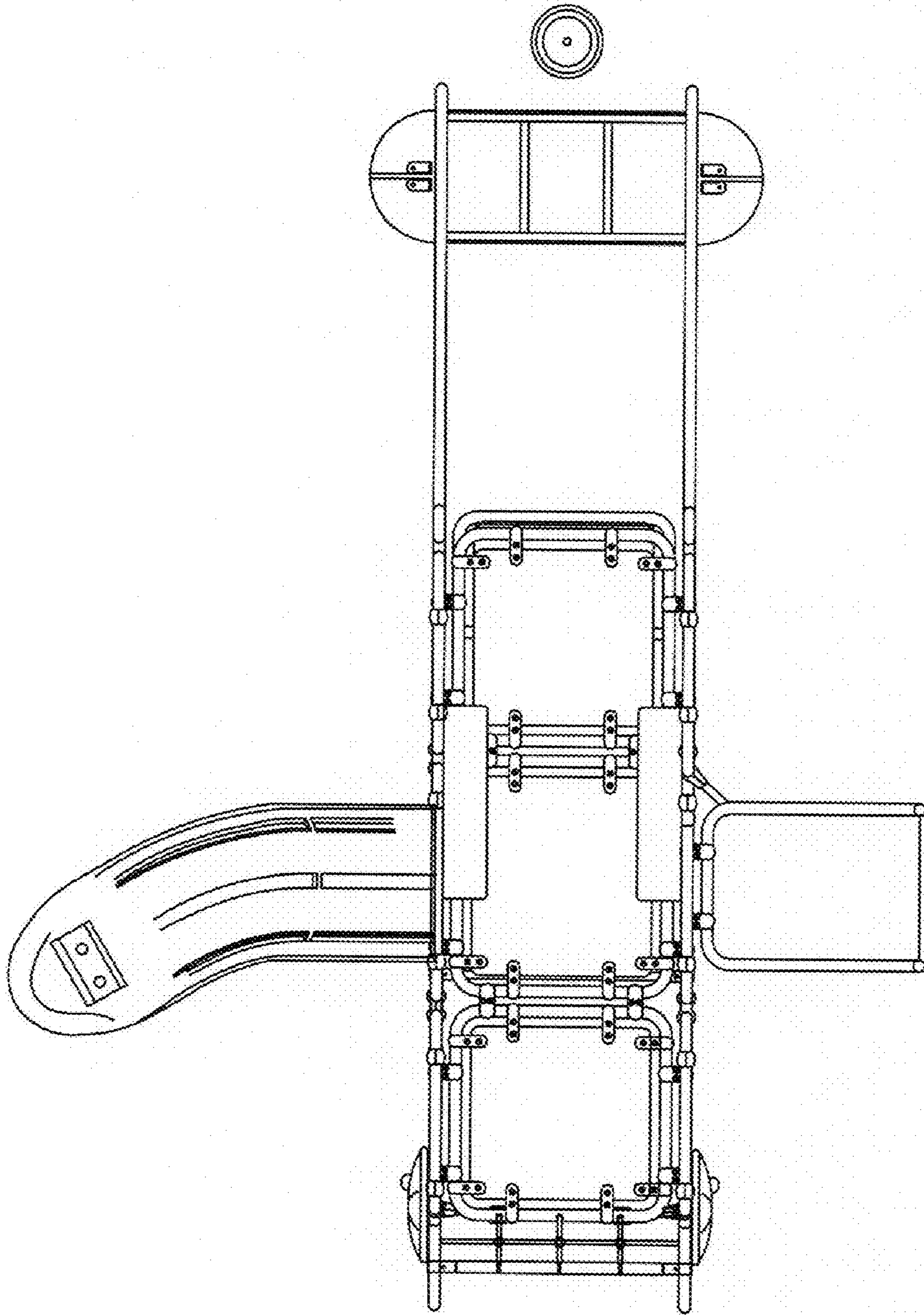


FIG. 7