



US00D603471S

(12) **United States Design Patent**
Mantelli

(10) **Patent No.:** **US D603,471 S**

(45) **Date of Patent:** **** Nov. 3, 2009**

(54) **GOLF PUTTER HEAD**

D569,929 S * 5/2008 Robb D21/744

(76) Inventor: **Anthony P. Mantelli**, 33 Fairview Ct.,
Rochester, NY (US) 14612

* cited by examiner

Primary Examiner—Mitchell I Siegel
(74) *Attorney, Agent, or Firm*—Shlesinger & Fitzsimmons

(**) Term: **14 Years**

(21) Appl. No.: **29/314,071**

(57) **CLAIM**

(22) Filed: **Mar. 2, 2009**

I claim the ornamental design for a golf putter head, as shown and described.

(51) **LOC (9) Cl.** **21-02**

(52) **U.S. Cl.** **D21/736**

(58) **Field of Classification Search** D21/736–746;
473/324–331, 340–341, 251–256

See application file for complete search history.

DESCRIPTION

(56) **References Cited**

U.S. PATENT DOCUMENTS

D317,035	S	*	5/1991	Pelz	D21/745
5,072,941	A	*	12/1991	Klein	473/255
D323,688	S	*	2/1992	Whitney	D21/741
D324,250	S	*	2/1992	Magness	D21/741
D354,535	S	*	1/1995	Queen	D21/743
5,890,969	A	*	4/1999	Bechler	473/255
D410,055	S	*	5/1999	Loop	D21/736
6,045,453	A	*	4/2000	Jenkins	473/255
D465,819	S	*	11/2002	Bussiere	D21/736
D497,402	S	*	10/2004	Moore	D21/736
D538,865	S	*	3/2007	Cameron	D21/736

FIG. 1 is a perspective view of a golf putter head showing my new design therefor;

FIG. 2 is a front elevational view thereof;

FIG. 3 is a side elevational view thereof showing a side facing the golfer when the golf putter head is in use;

FIG. 4 is a rear elevational view thereof;

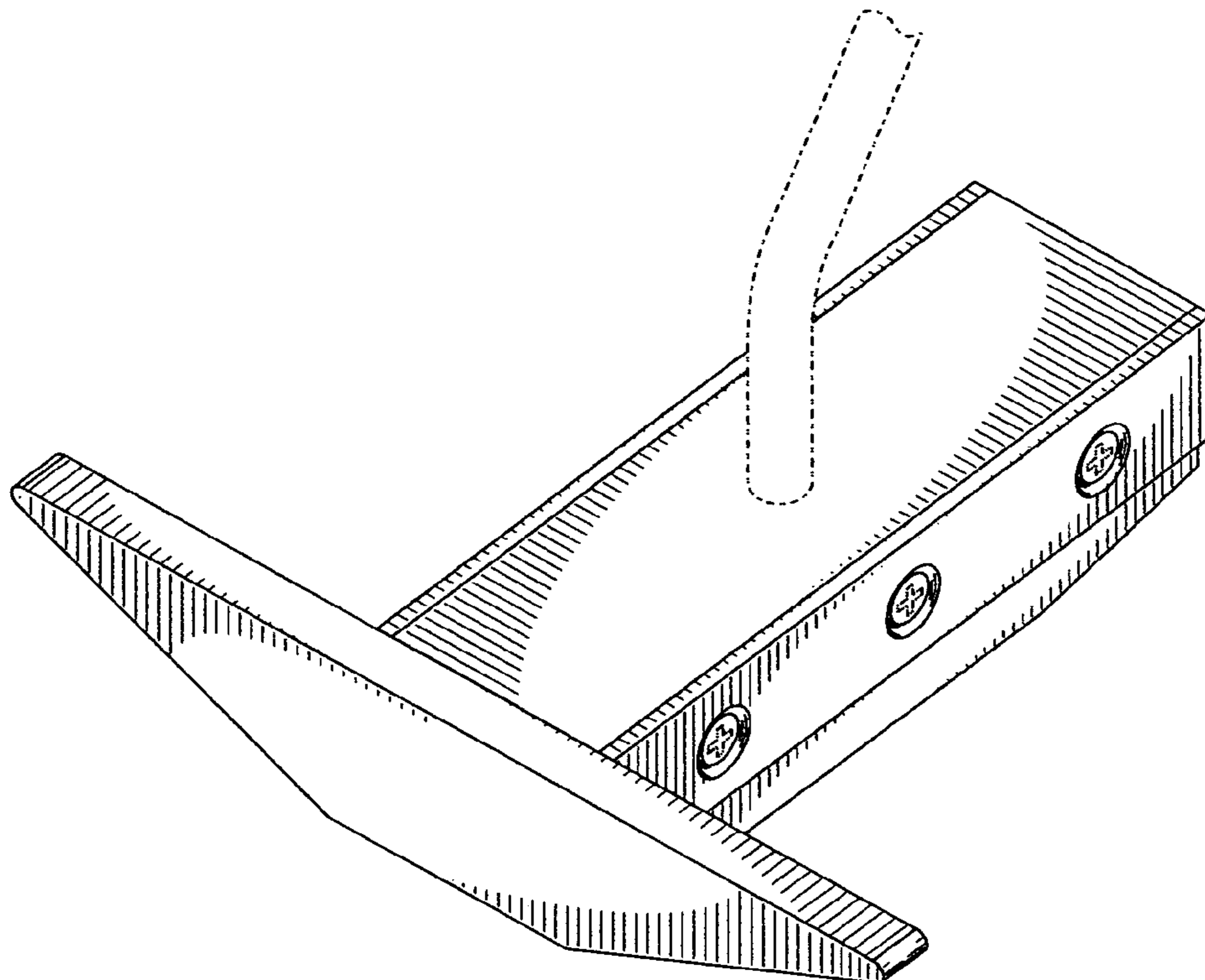
FIG. 5 is a side elevational view thereof showing a side facing away from the golfer when the golf putter head is in use;

FIG. 6 is a top plan view thereof; and,

FIG. 7 is a bottom plan view thereof.

The broken line showing of a fragmented shaft is for illustrative purposes only and forms no part of the claimed design.

1 Claim, 5 Drawing Sheets



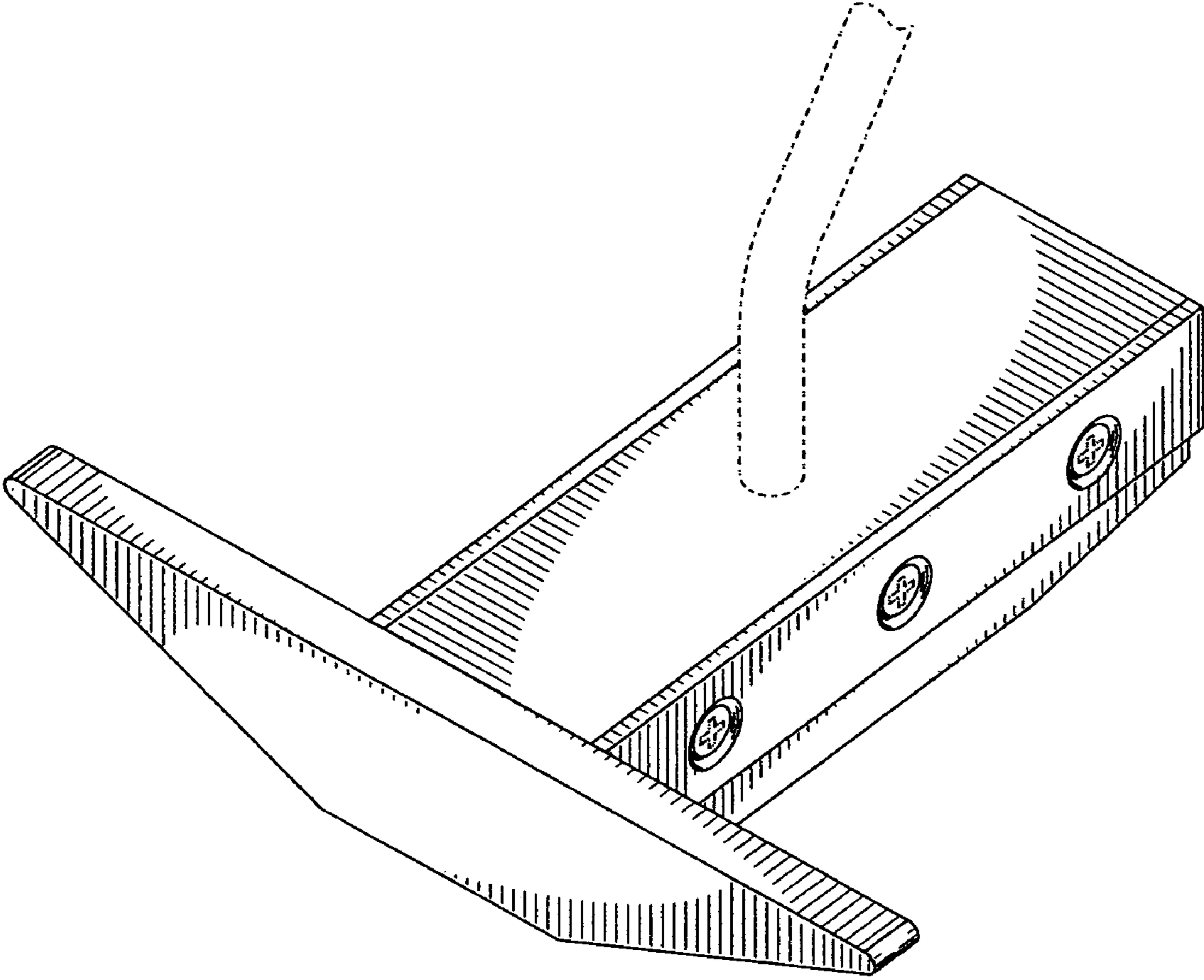


FIG. 1

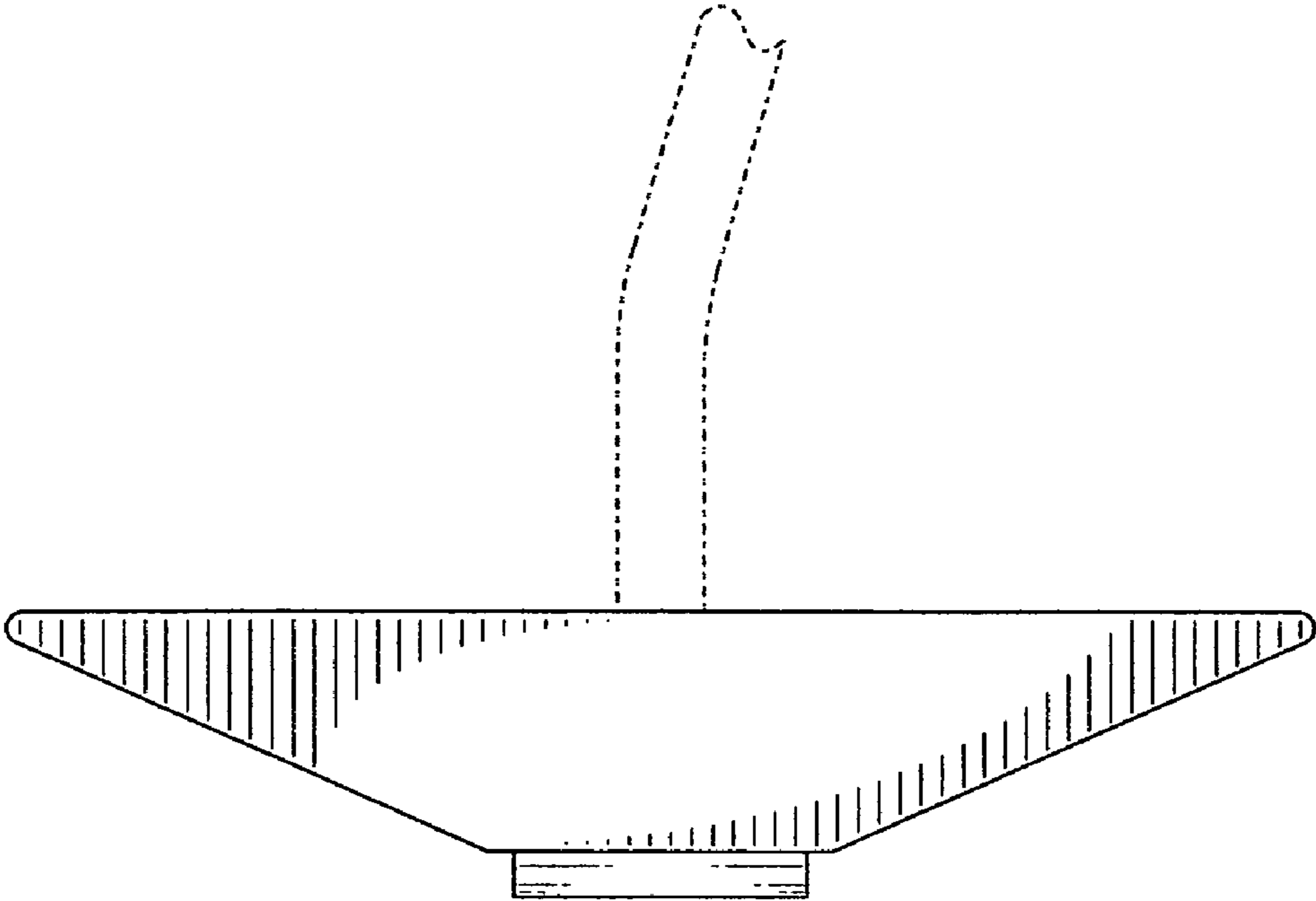


FIG. 2

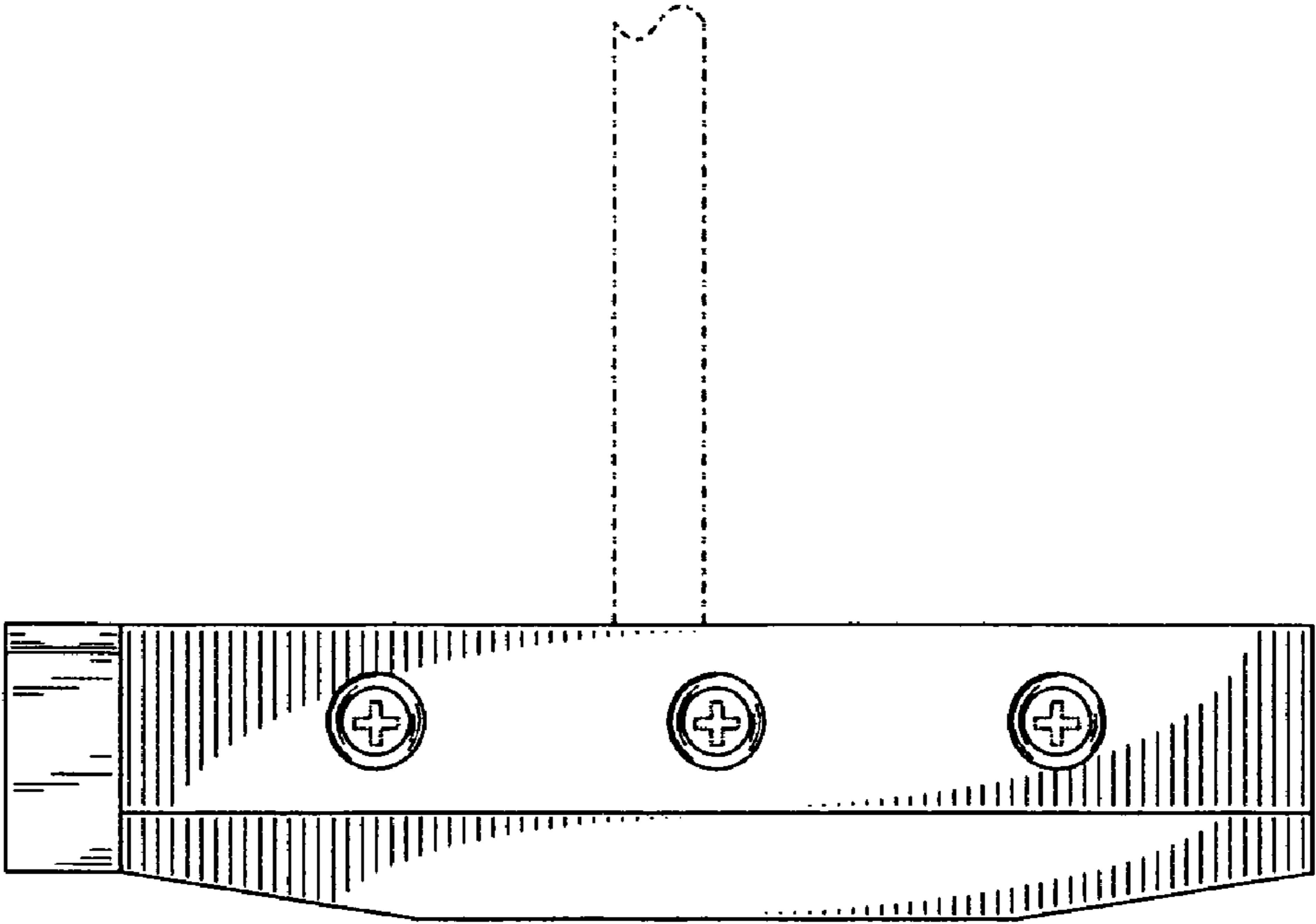


FIG. 3

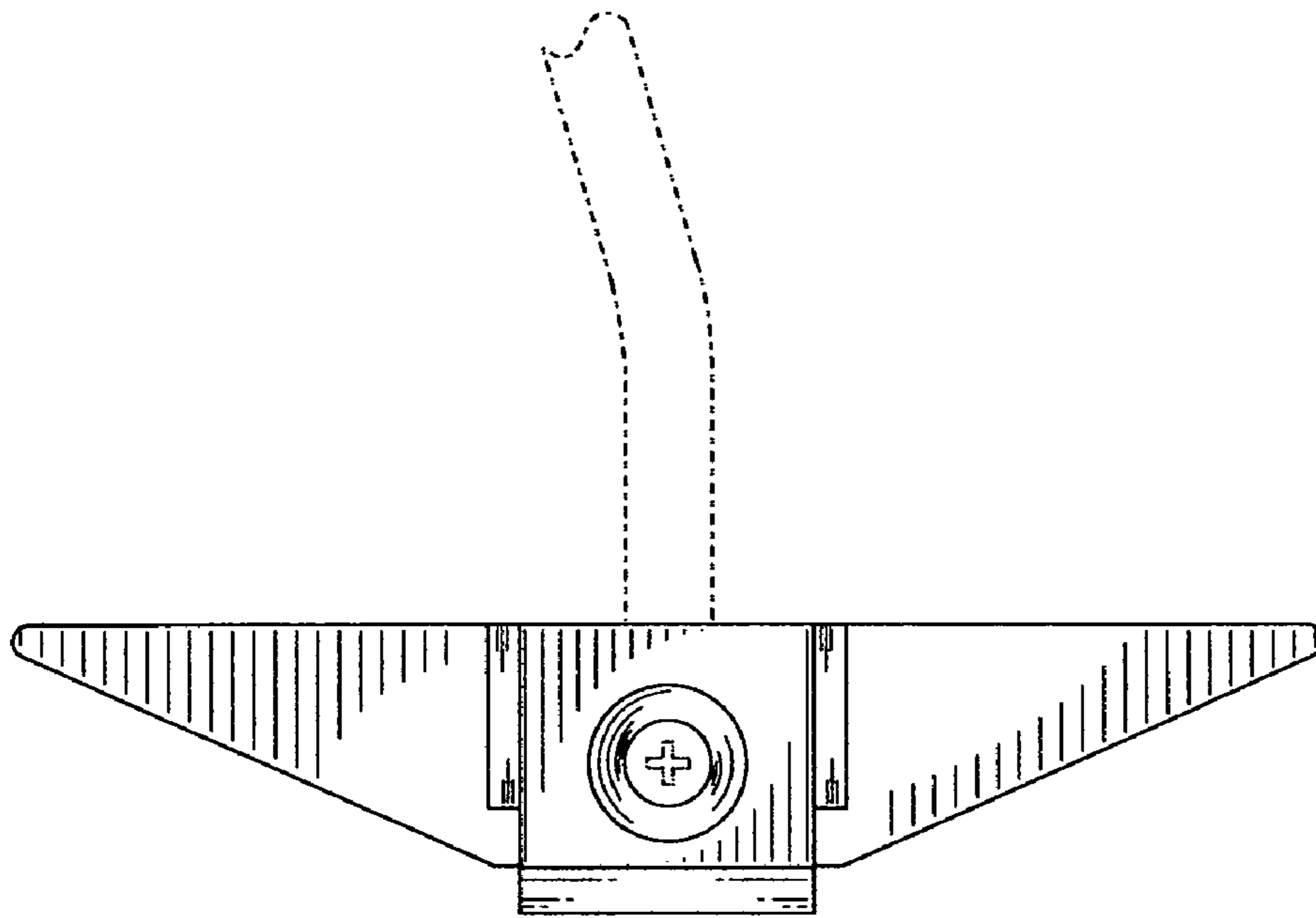


FIG. 4

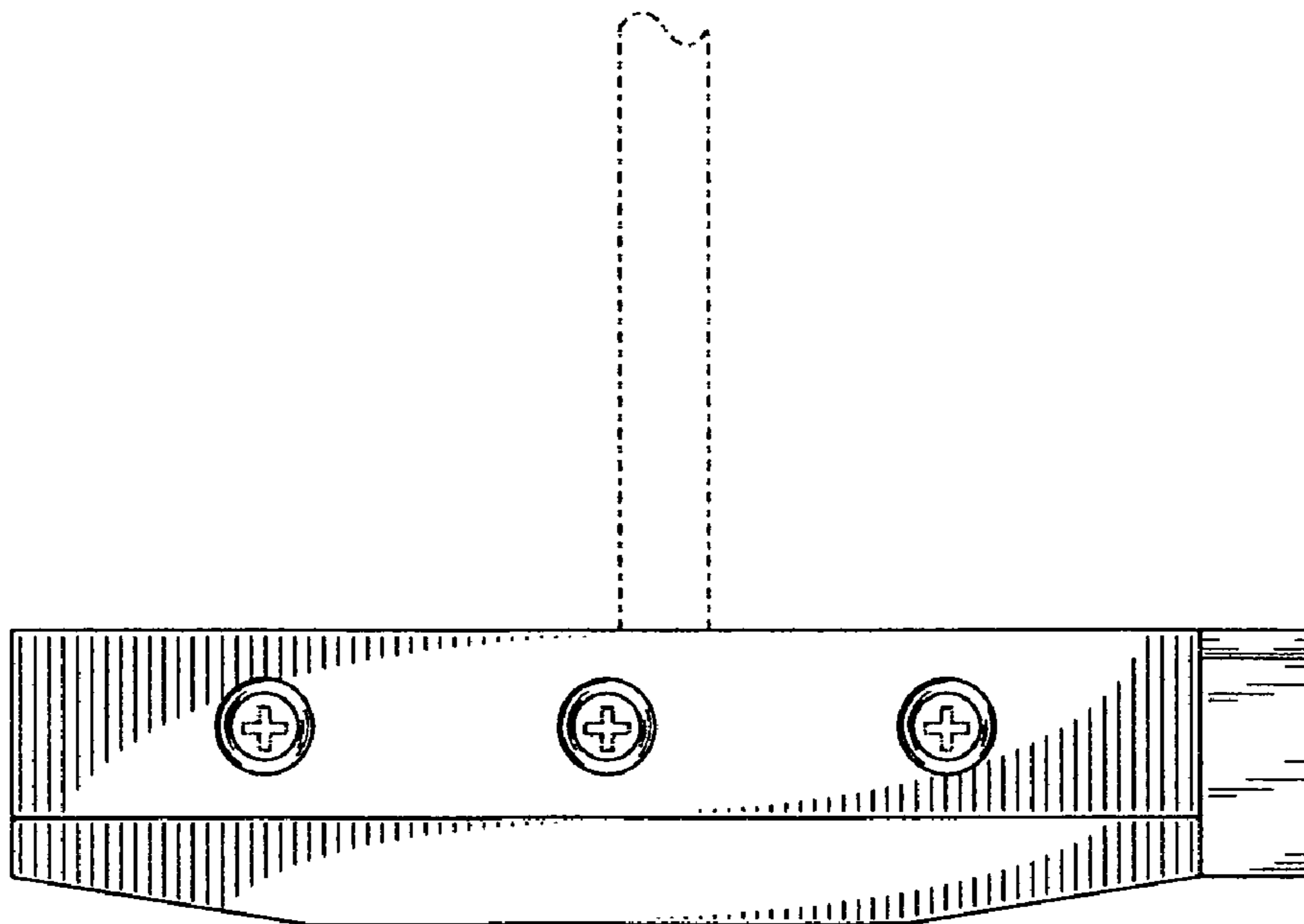


FIG. 5

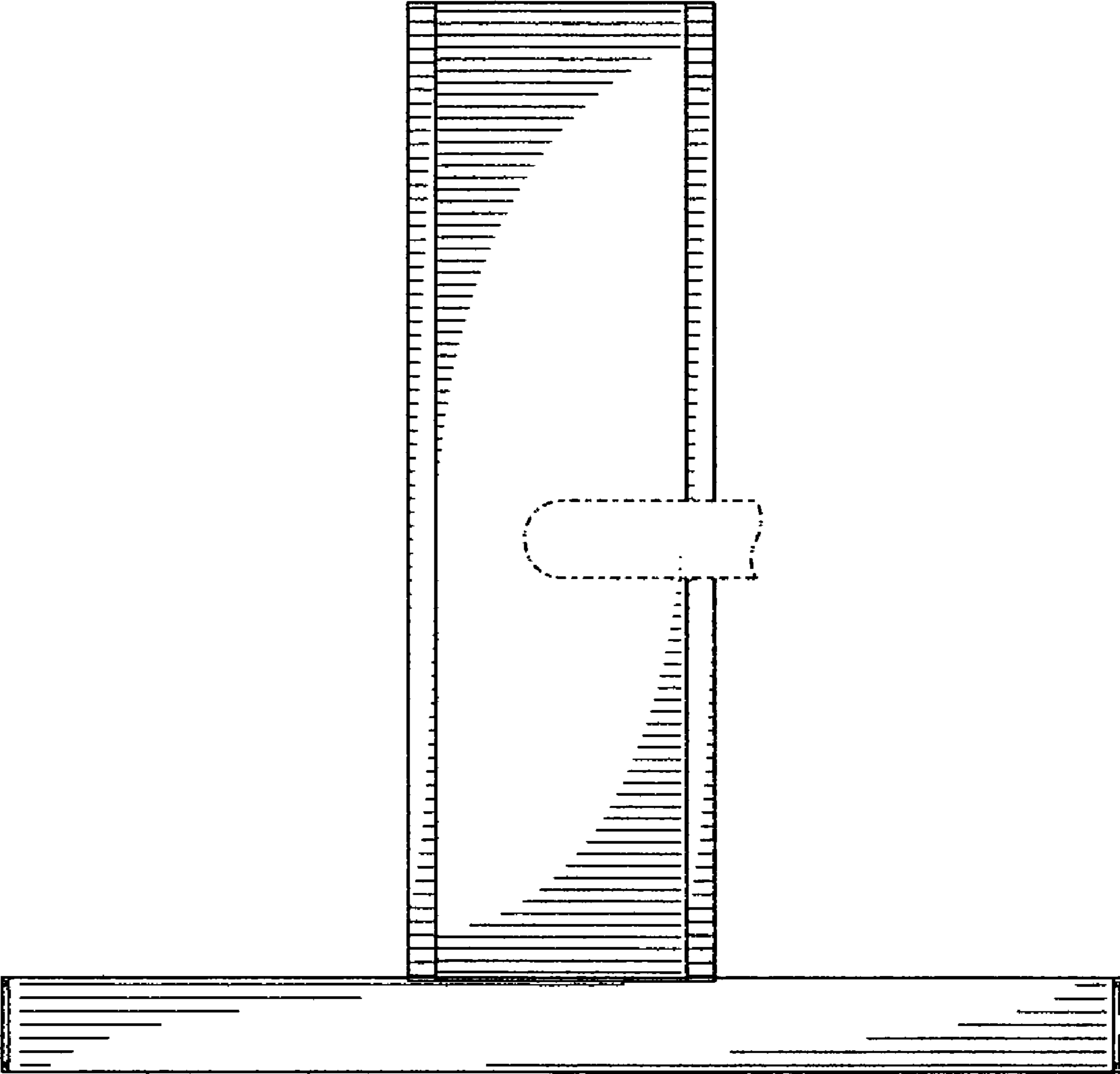


FIG. 6

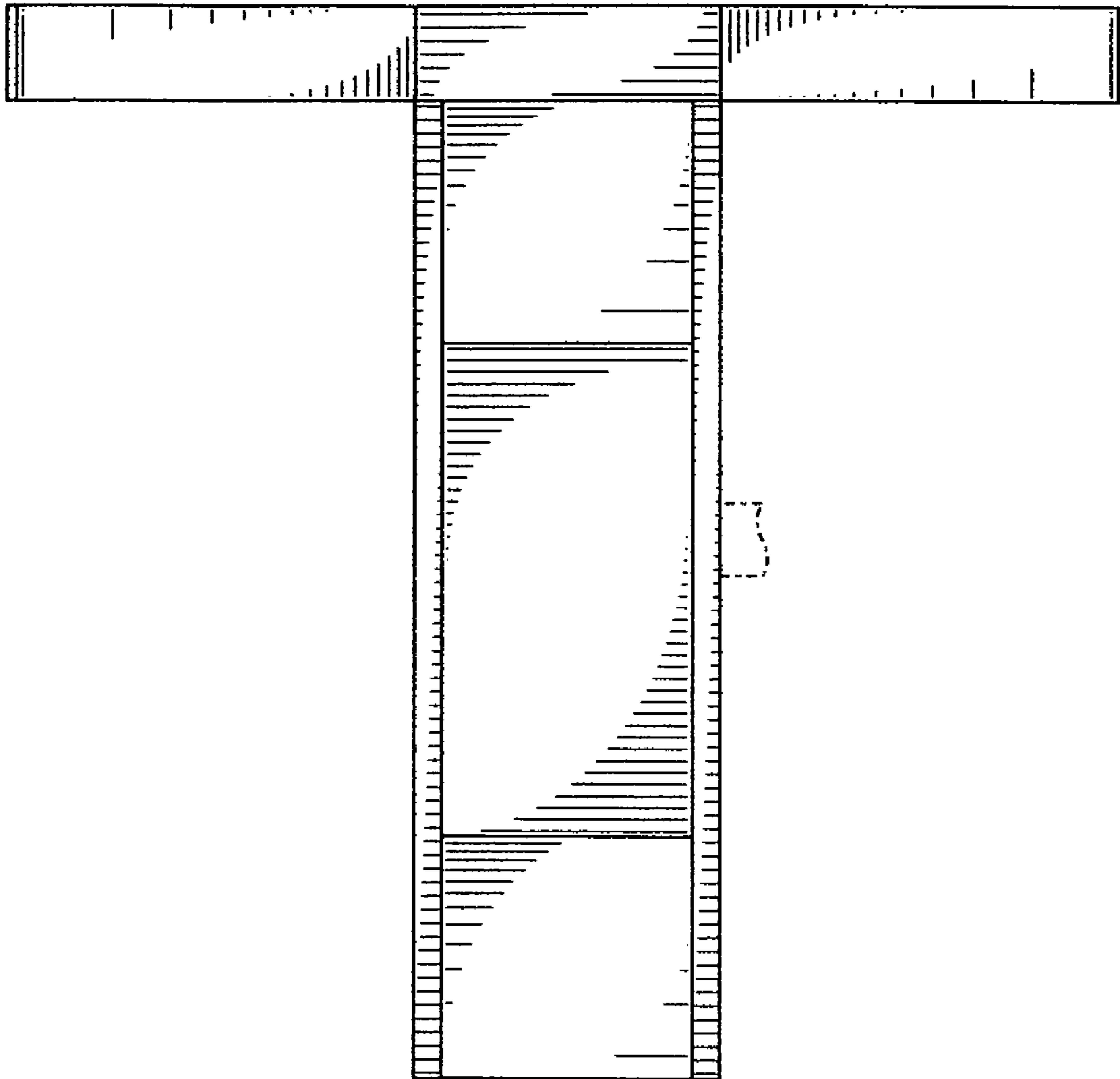


FIG. 7