



US00D603457S

(12) **United States Design Patent**
Julskjer et al.

(10) **Patent No.:** **US D603,457 S**

(45) **Date of Patent:** **** Nov. 3, 2009**

(54) **GAME CONTROLLER**

(75) Inventors: **Niels Julskjer**, Ringe (DK); **Karin Mueller**, Middelfart (DK); **Peter Christian Raaby Gronfeldt**, Aarhus C (DK); **Minh Thanh Nguyen**, Odense C (DK); **Hans Jorgen Meyer Ibsen**, Ringe (DK); **Michael Philip Laris**, Odense C (DK); **Michael Stahl**, Middelfart (DK)

(73) Assignee: **Kompan A/S**, Ringe (DE)

(**) Term: **14 Years**

(21) Appl. No.: **29/332,832**

(22) Filed: **Feb. 26, 2009**

(30) **Foreign Application Priority Data**

Aug. 28, 2008 (EM) 000993365

(51) **LOC (9) Cl.** **21-01**

(52) **U.S. Cl.** **D21/324; D21/333; D14/400**

(58) **Field of Classification Search** D21/324, D21/328, 332, 333; D14/400, 401, 412-416, D14/217, 432, 434, 496, 454; 273/148 B; 463/1, 37, 38, 40-47; 345/156-161, 905
See application file for complete search history.

(56) **References Cited**

U.S. PATENT DOCUMENTS

4,031,655 A * 6/1977 Ponciano et al. 446/47

D269,686 S * 7/1983 Hoel D21/324
D354,993 S * 1/1995 Morrison et al. D21/324
D420,056 S * 2/2000 Mauldin, Jr. D21/324
6,835,135 B1 * 12/2004 Silverbrook et al. 463/30
D502,468 S * 3/2005 Knight et al. D14/400
6,995,325 B2 * 2/2006 Sakou 200/5 R
D550,673 S * 9/2007 Wong D14/413
D551,230 S * 9/2007 Lau et al. D14/401
7,303,476 B2 * 12/2007 Blanco 463/43

* cited by examiner

Primary Examiner—Prabhakar Deshmukh

(74) *Attorney, Agent, or Firm*—Olliff & Berridge, PLC

(57) **CLAIM**

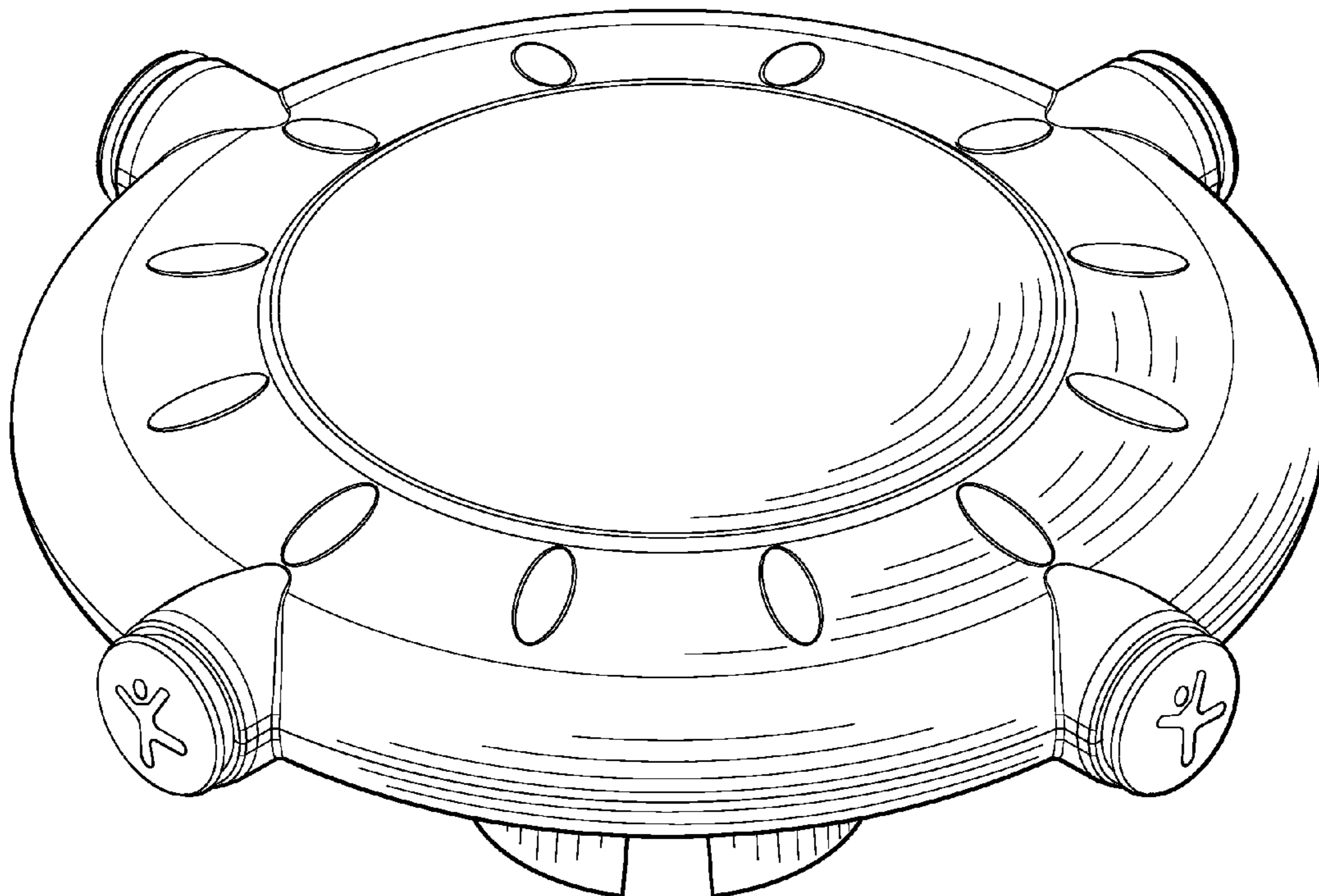
The ornamental design for a game controller, as shown and described.

DESCRIPTION

FIG. 1 is a perspective view of a game controller;
FIG. 2 is a top view thereof;
FIG. 3 is a front view thereof, the rear view, the right-side view and the left-side view being identical; and,
FIG. 4 is a bottom view thereof.

The broken lines depict environmental subject matter only and form no part of the claimed design.

1 Claim, 4 Drawing Sheets



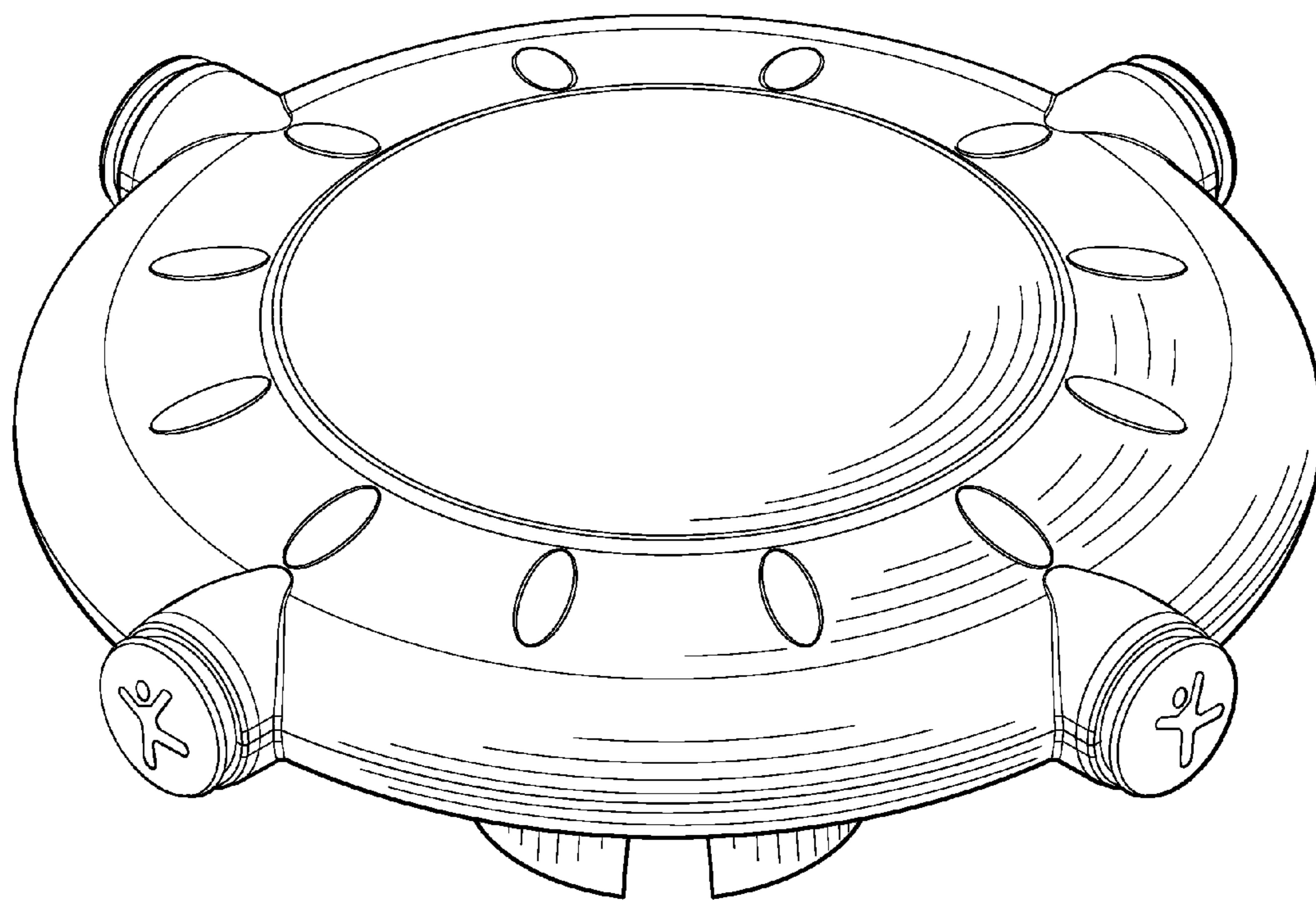


FIG. 1

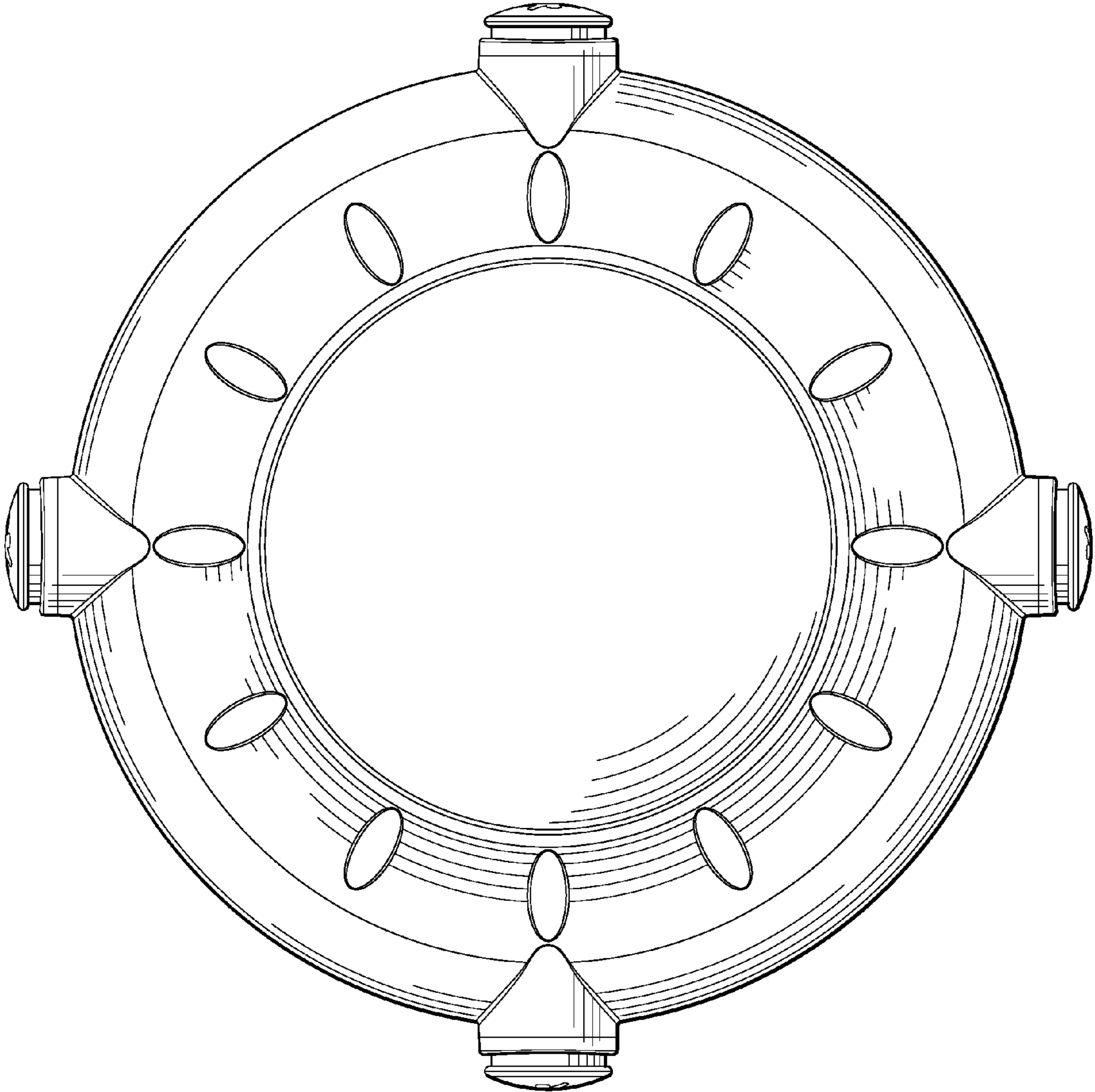


FIG. 2

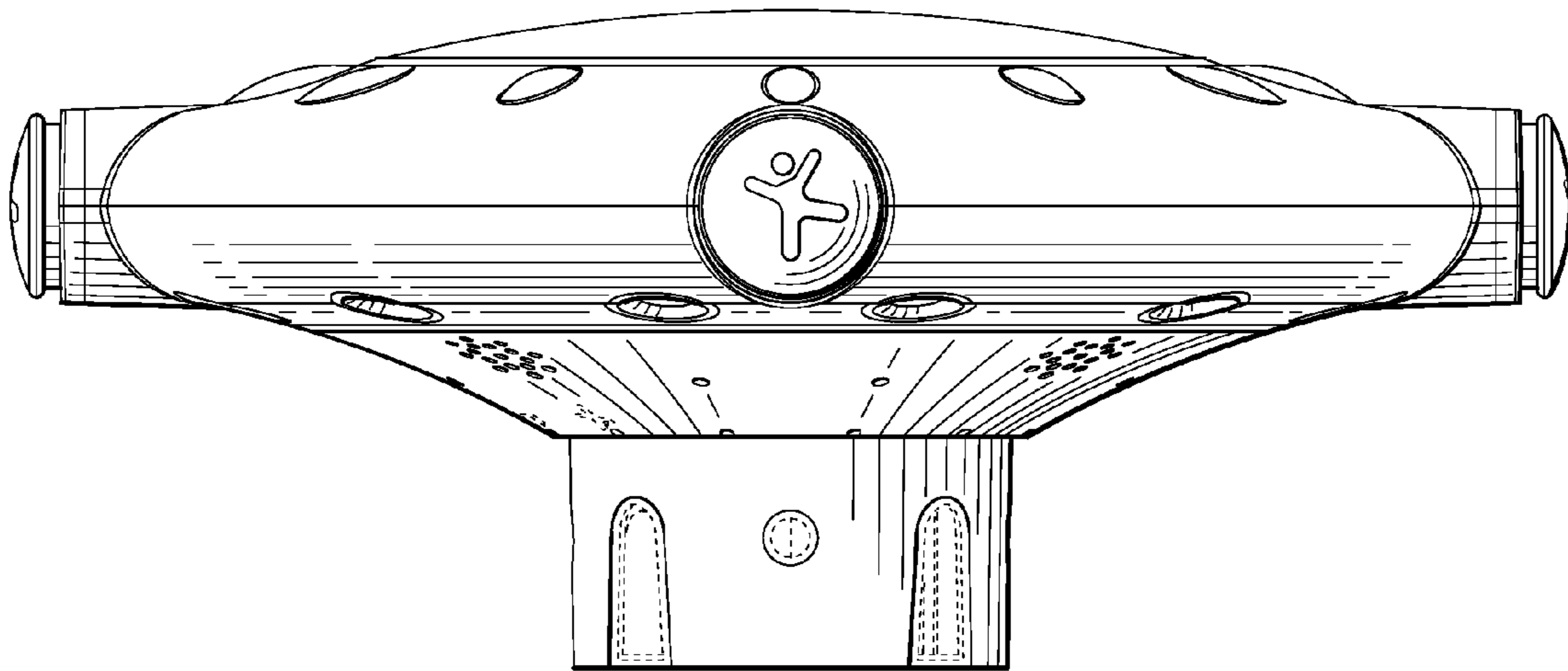


FIG. 3

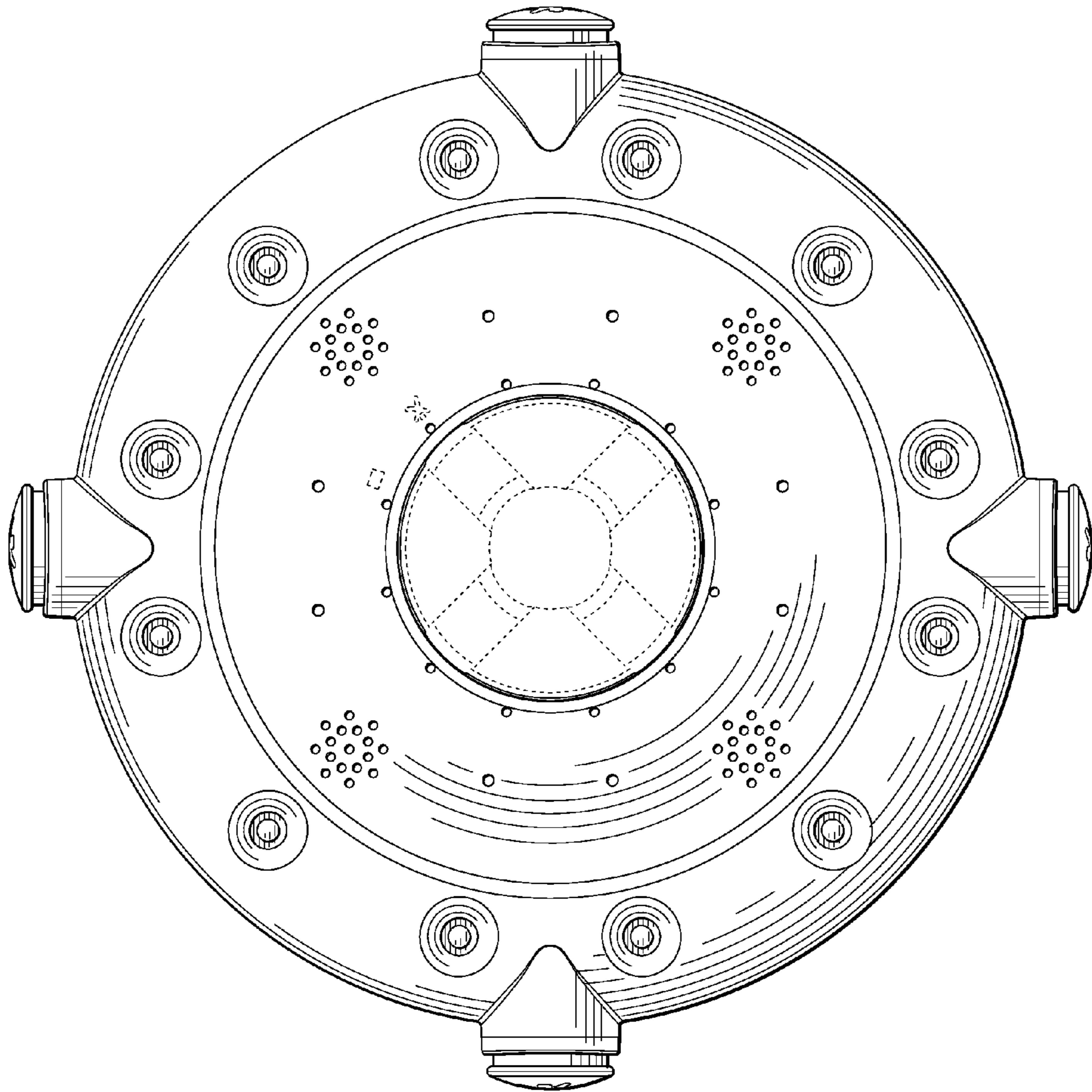


FIG. 4