



US00D603442S

(12) **United States Design Patent**
Dordick

(10) **Patent No.:** **US D603,442 S**

(45) **Date of Patent:** **** *Nov. 3, 2009**

(54) **CAMERA MOUNT**

(76) **Inventor:** **Scott David Dordick**, 2041 E. Gladstone St. Unit 'H', Glendora, CA (US) 91740

(*) **Notice:** This patent is subject to a terminal disclaimer.

(**) **Term:** **14 Years**

(21) **Appl. No.:** **29/285,191**

(22) **Filed:** **Mar. 23, 2007**

(51) **LOC (9) Cl.** **16-05**

(52) **U.S. Cl.** **D16/242; D16/245**

(58) **Field of Classification Search** D16/237, D16/242, 244, 245, 239; 248/176.1, 177.1, 248/185.1, 187.1, 161, 176.3; 396/419, 425, 396/428, 218, 420, 422; 352/243
See application file for complete search history.

(56) **References Cited**

U.S. PATENT DOCUMENTS

3,356,325	A *	12/1967	Schnase	396/419
D245,988	S *	10/1977	Miller	D16/245
D292,982	S *	12/1987	Nakatani	D16/245
4,763,151	A *	8/1988	Klinger	396/419
4,955,568	A *	9/1990	O'Connor et al.	248/183.3
4,979,709	A *	12/1990	Ishikawa	248/187.1
D323,339	S *	1/1992	Ishikawa	D16/245
D327,084	S *	6/1992	Miyauchi	D16/245
D366,887	S *	2/1996	Wood	D16/242

D382,288	S *	8/1997	Usui	D16/245
D405,815	S *	2/1999	Takizawa	D16/242
6,827,319	B2 *	12/2004	Mayr	396/428
D515,614	S *	2/2006	Speggiorin	D16/245
D537,859	S *	3/2007	Speggiorin	D16/245
2006/0239677	A1 *	10/2006	Friedrich	396/419

* cited by examiner

Primary Examiner—Ian Simmons

Assistant Examiner—Wan Laymon

(74) *Attorney, Agent, or Firm*—Richard S. Erbe

(57) **CLAIM**

The ornamental design for a camera mount, as shown.

DESCRIPTION

FIG. 1 is a front perspective view of a camera mount showing my new design;

FIG. 2 is a rear elevation view thereof;

FIG. 3 is a top plan view thereof;

FIG. 4 is a left elevation view thereof;

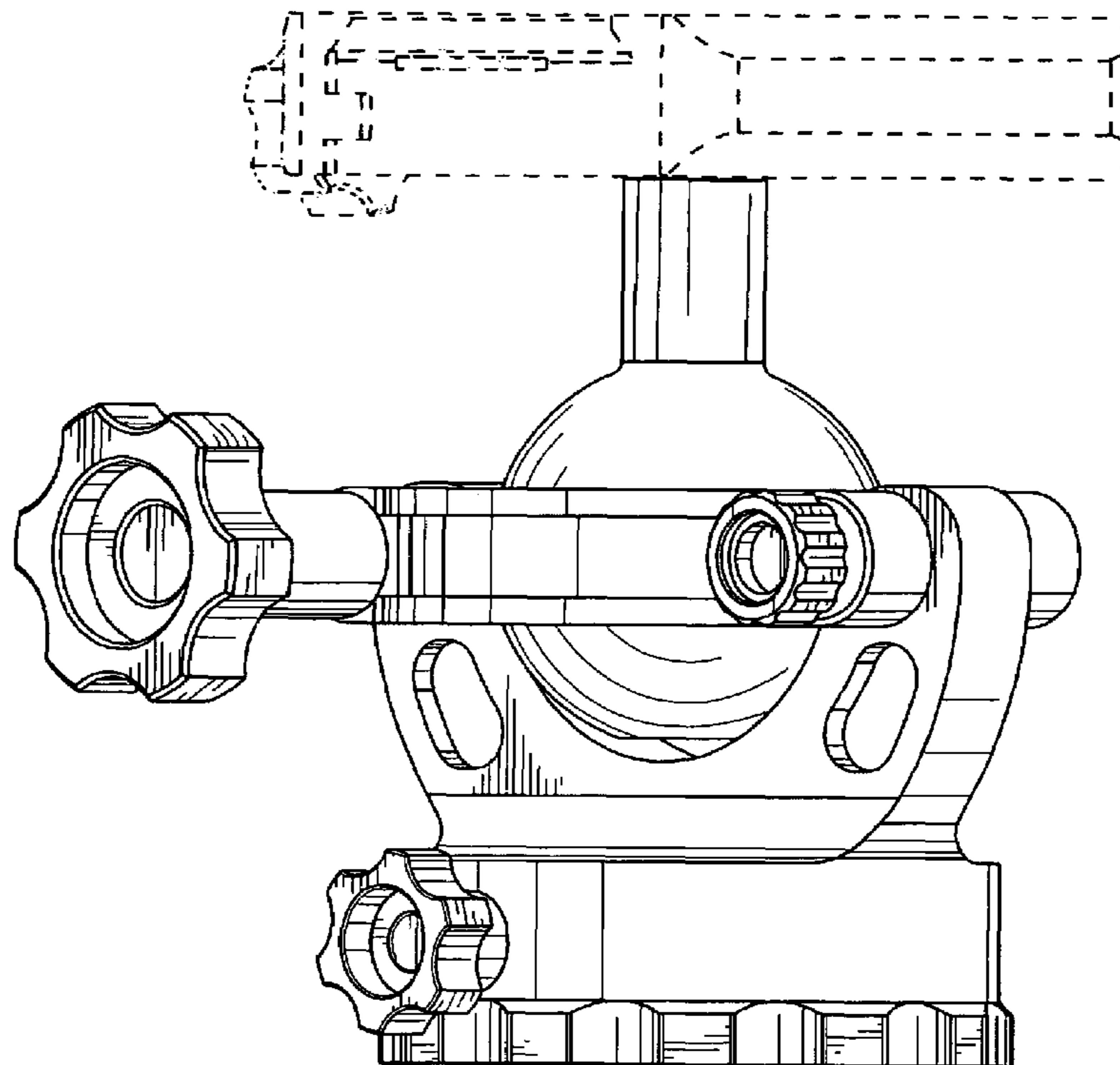
FIG. 5 is a right elevation view thereof;

FIG. 6 is a front elevation view thereof; and,

FIG. 7 is a bottom plan view thereof.

The portions of the article in broken lines are shown for illustrative purposes only and form no part of the claimed design.

1 Claim, 4 Drawing Sheets



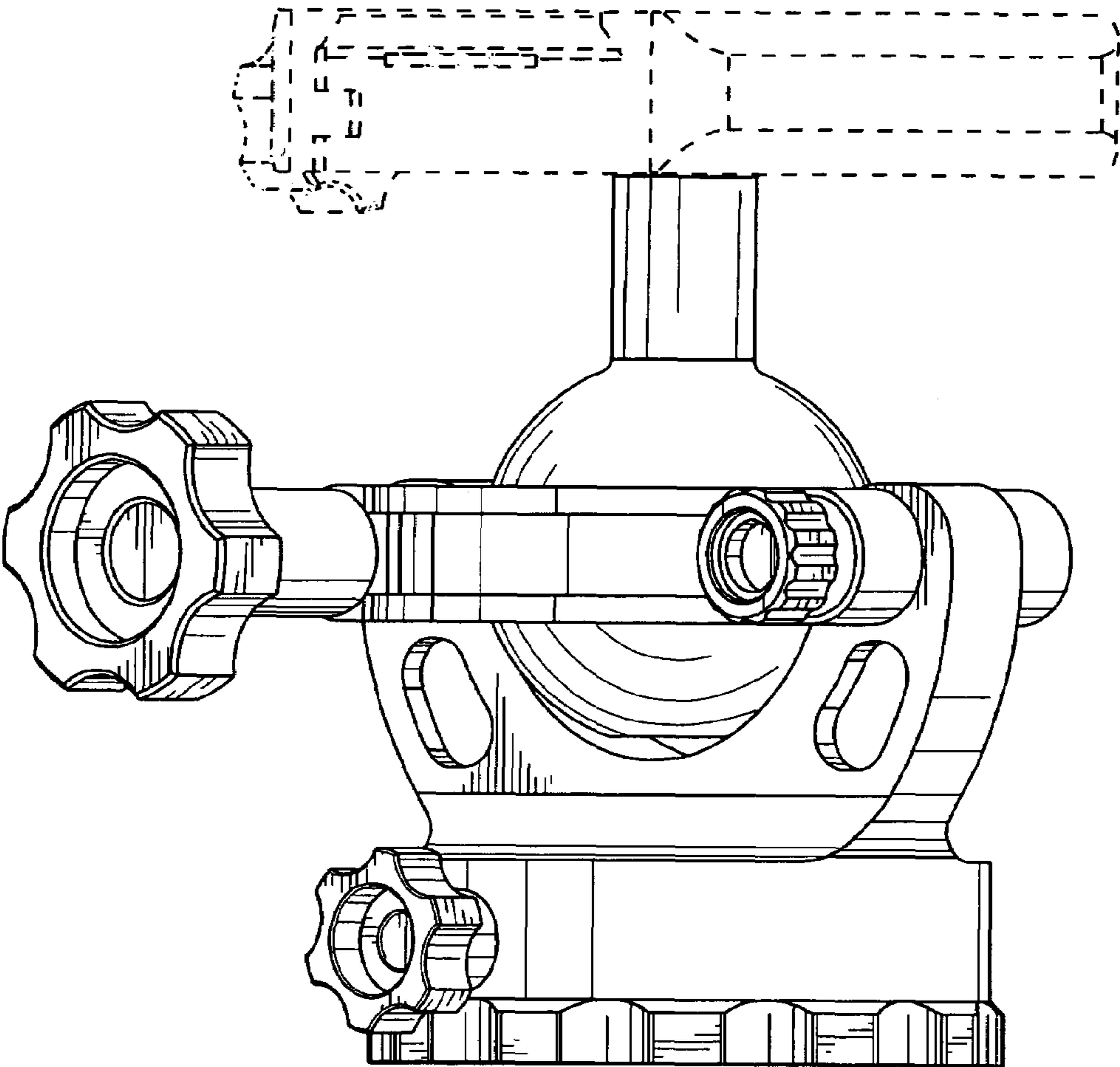


FIG. 1

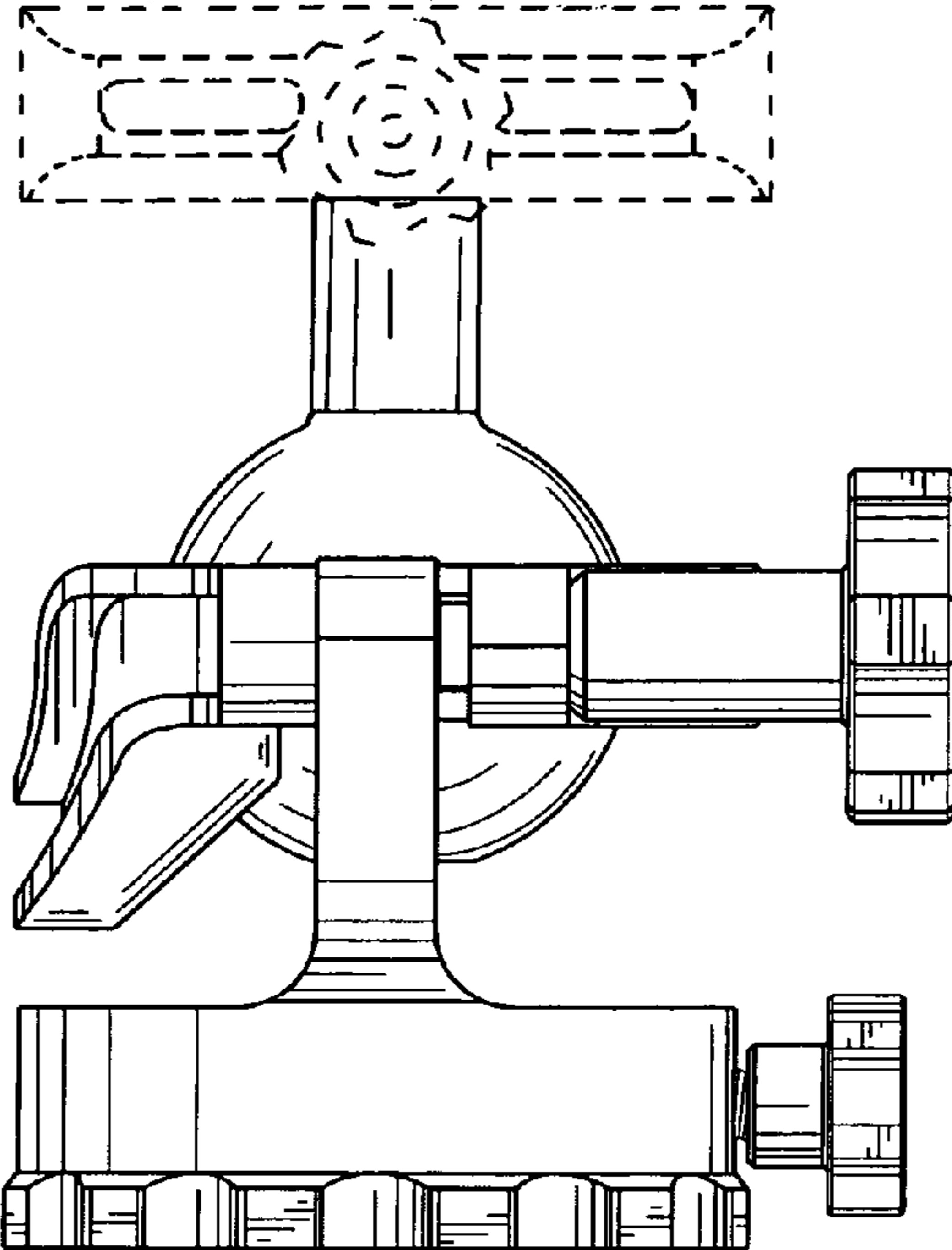


FIG. 2

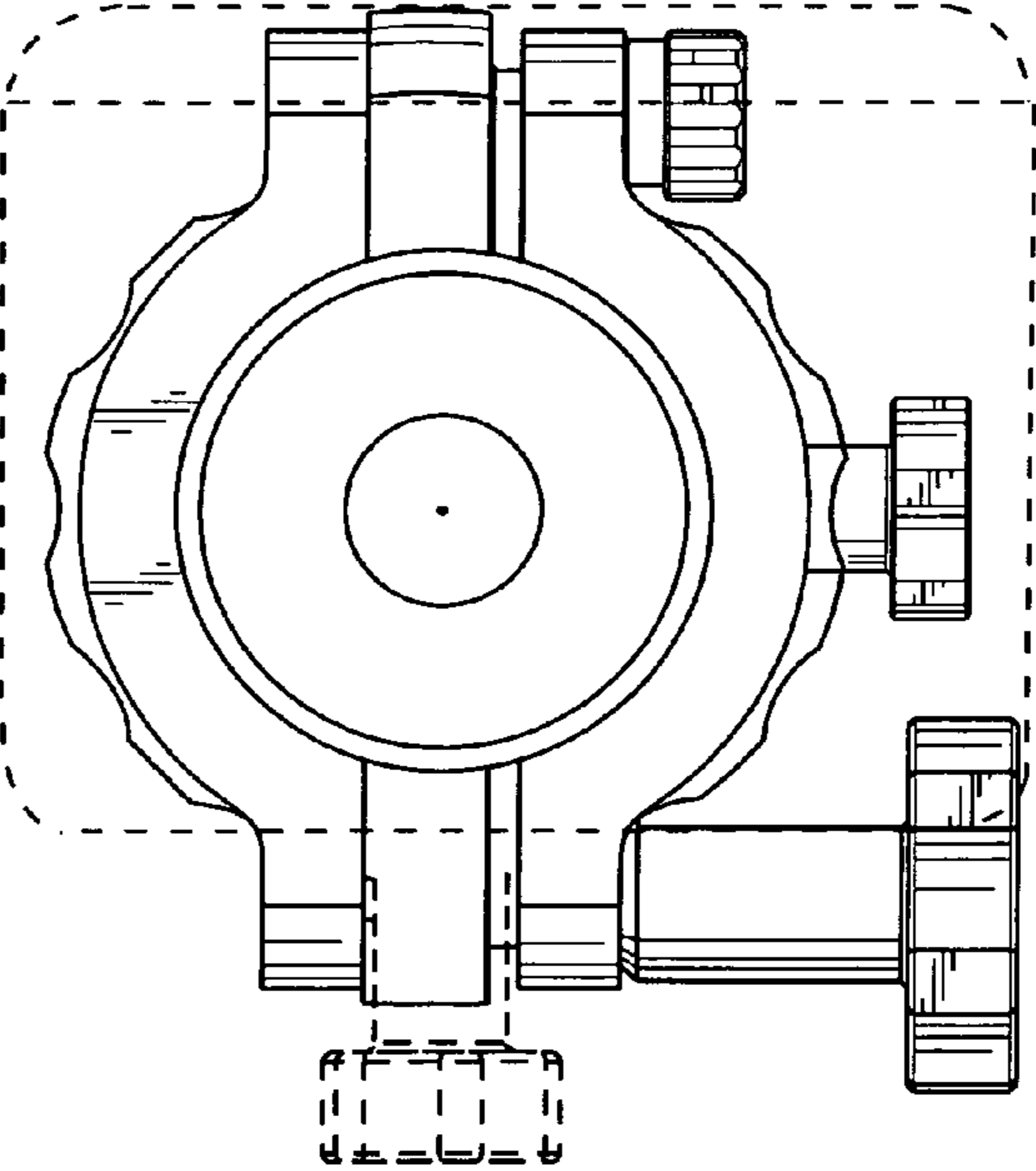


FIG. 3

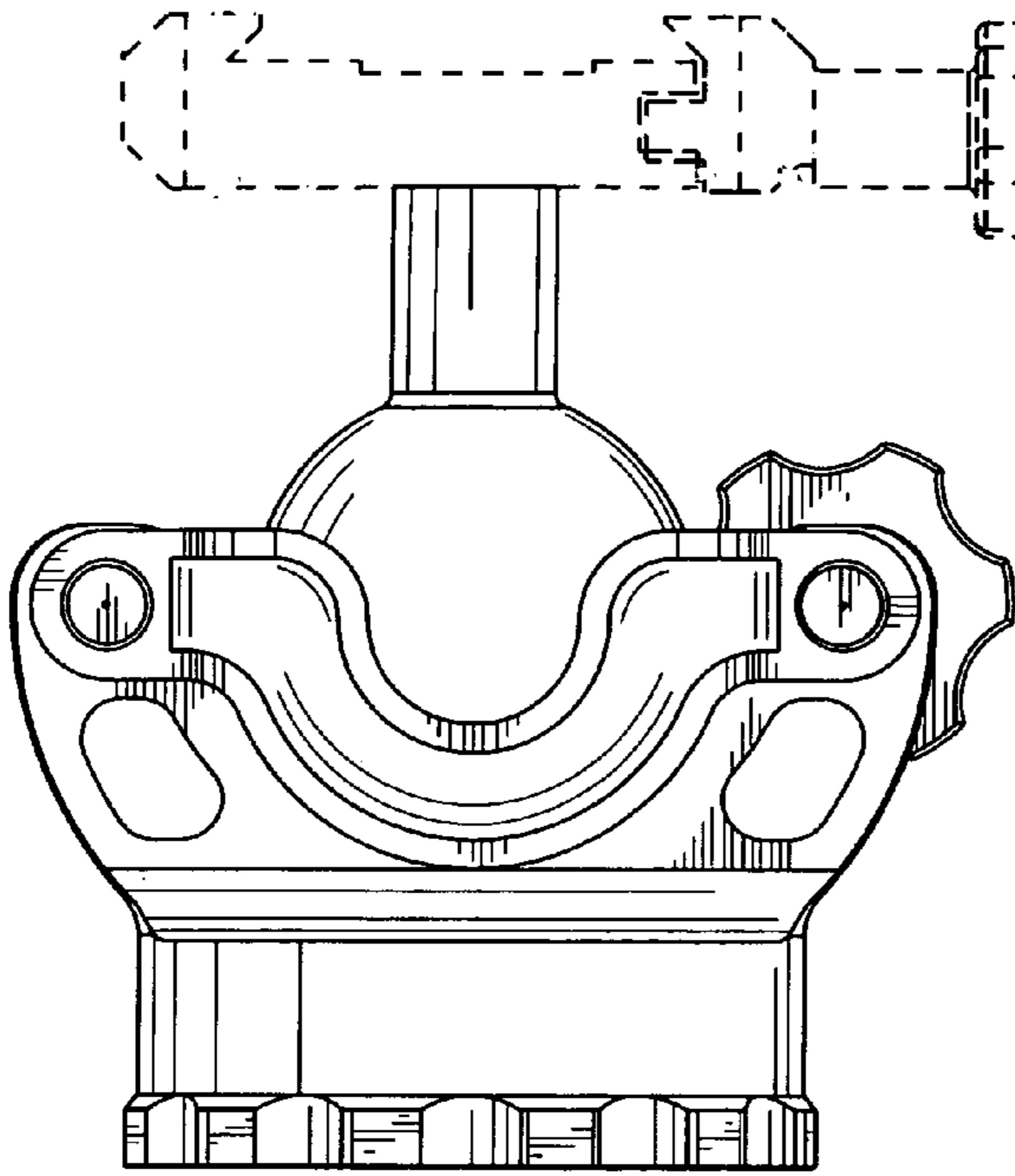


FIG. 4

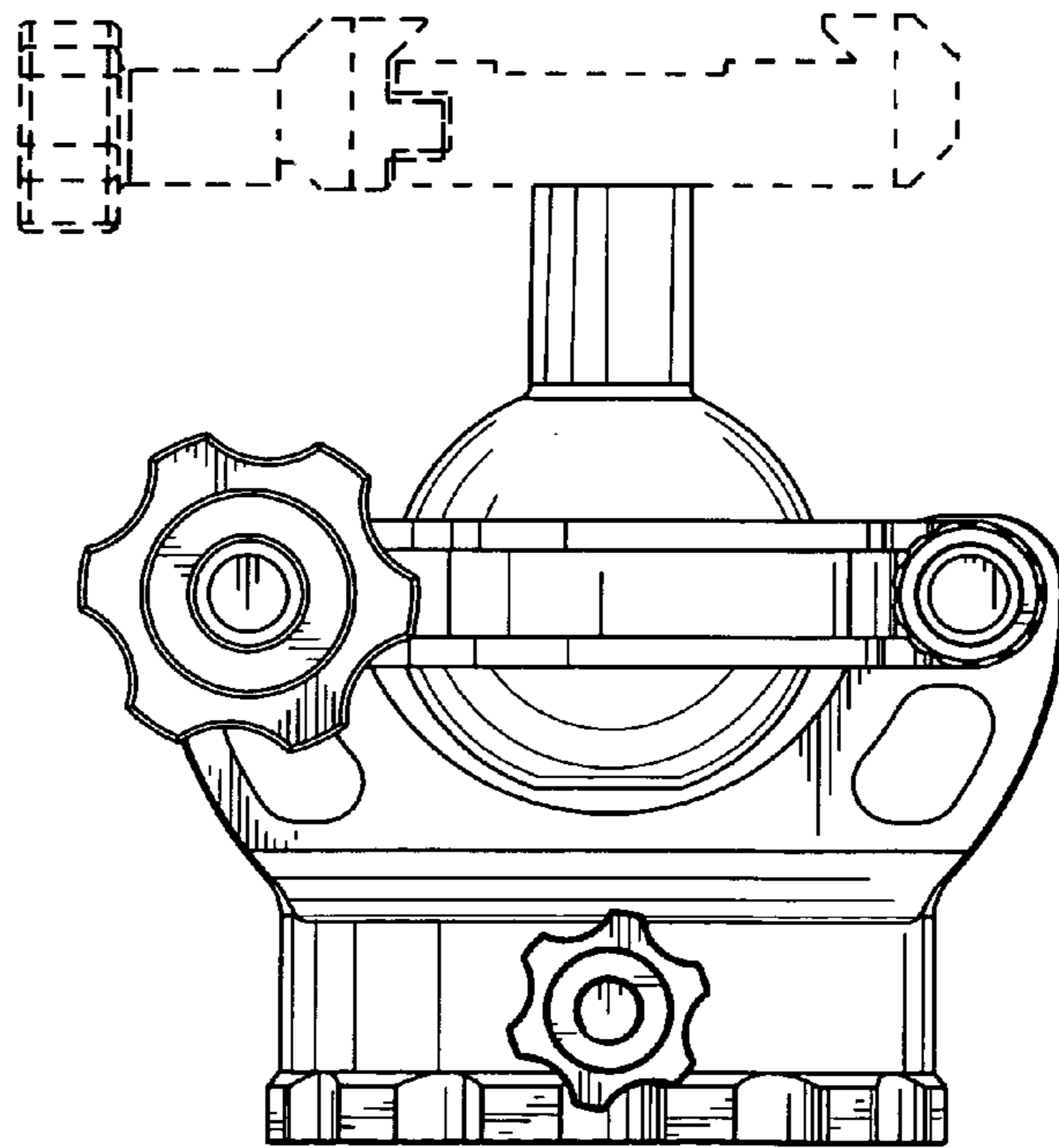


FIG. 5

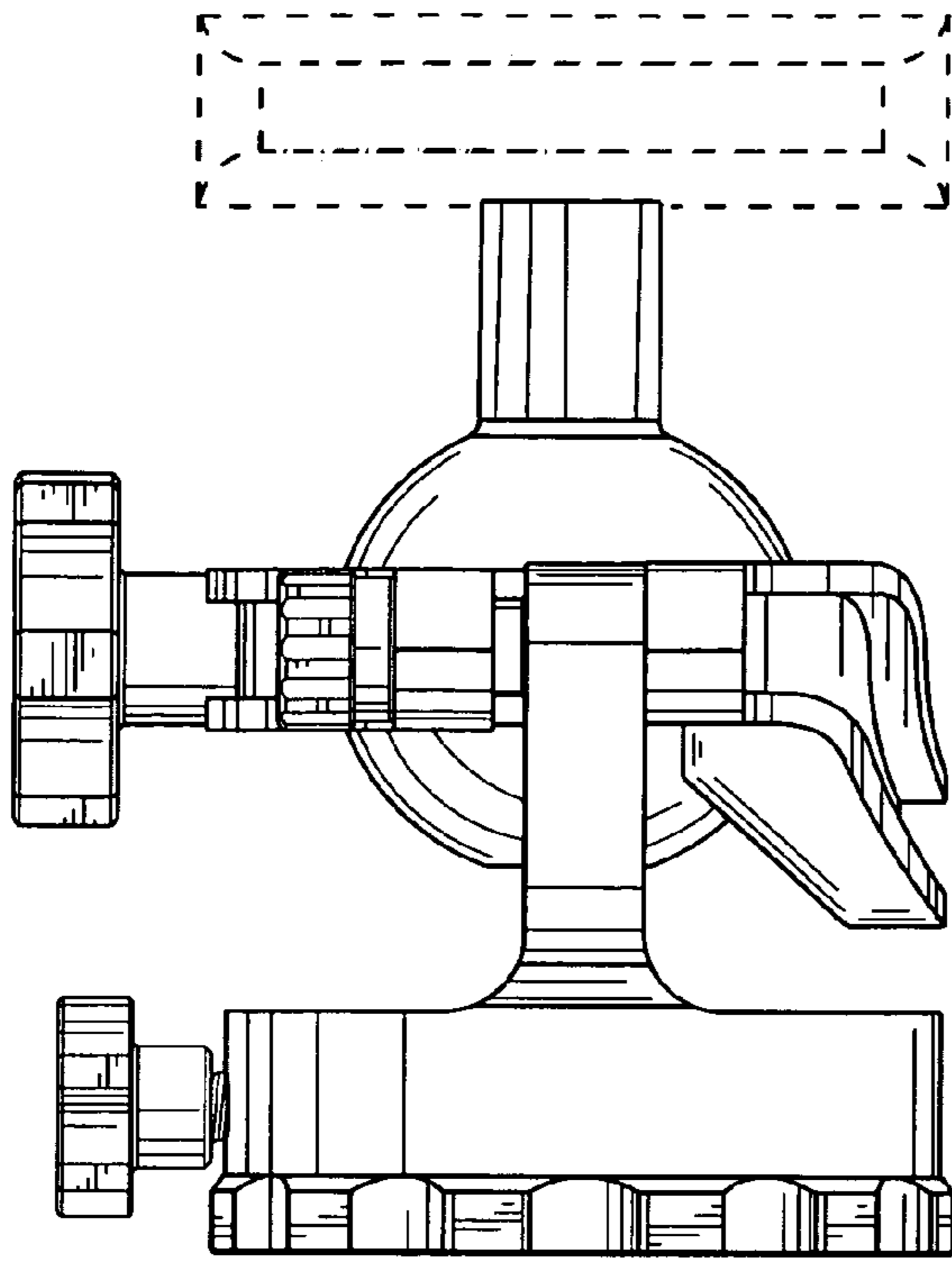


FIG. 6

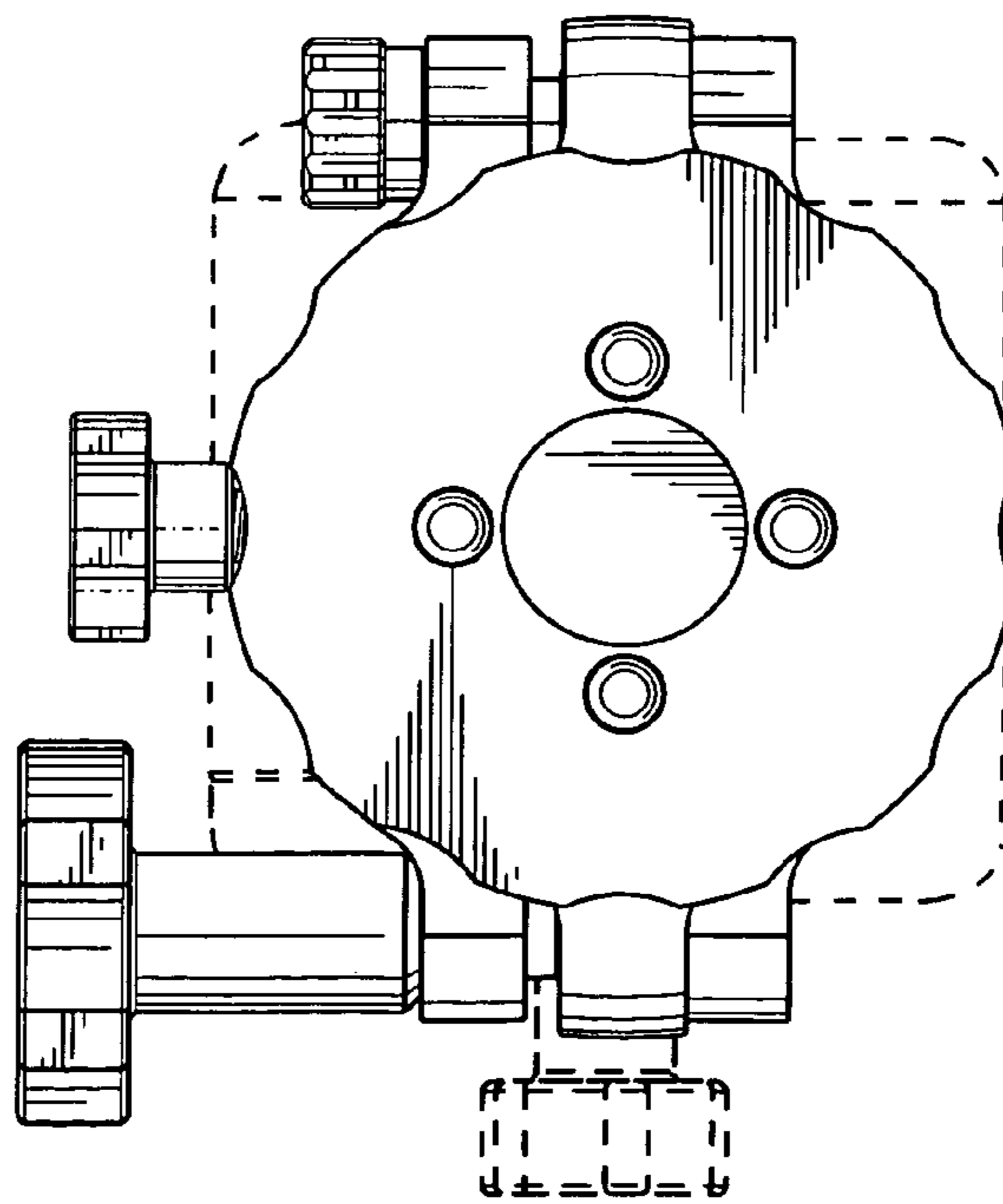


FIG. 7