



US00D603441S

(12) **United States Design Patent**
Wada et al.

(10) **Patent No.:** **US D603,441 S**
(45) **Date of Patent:** **** Nov. 3, 2009**

(54) **SURVEILLANCE CAMERA**

FOREIGN PATENT DOCUMENTS

(75) Inventors: **Jouji Wada**, Kanagawa (JP); **Kazushige Tamura**, Kanagawa (JP)

JP D978850 4/1997
JP D1033472 3/1999
JP D1095114 12/2000

(73) Assignee: **Panasonic Corporation**, Osaka (JP)

OTHER PUBLICATIONS

(**) Term: **14 Years**

Office Action in Japanese Design Application No. 2007-035391, dated Jun. 10, 2008, 2 pages.

(21) Appl. No.: **29/320,196**

* cited by examiner

(22) Filed: **Jun. 23, 2008**

Primary Examiner—Adir Aronovich

(74) *Attorney, Agent, or Firm*—Brinks Hofer Gilson & Lione

(30) **Foreign Application Priority Data**

(57) **CLAIM**

Dec. 25, 2007 (JP) 2007-035391

We claim the ornamental design for a surveillance camera, as shown and described.

(51) **LOC (9) Cl.** **16-01**

(52) **U.S. Cl.** **D16/203**

(58) **Field of Classification Search** D16/200–203,
D16/208, 218; 348/143, 151, 373–376; 358/906;
396/427, 535–541

See application file for complete search history.

DESCRIPTION

FIG. 1 is a front perspective view of a surveillance camera of the present invention;

FIG. 2 is a front elevational view thereof;

FIG. 3 is a rear elevational view thereof;

FIG. 4 is a right side elevational view thereof, the undisclosed left view being a mirror image thereof;

FIG. 5 is a top plan view thereof;

FIG. 6 is a top bottom plan view thereof; and,

FIG. 7 is a right side elevational view being rotated 180 degrees from the view shown in FIG. 4.

The portions of the surveillance camera in broken lines are shown for illustrative purposes only and form no part of the claimed design.

(56) **References Cited**

U.S. PATENT DOCUMENTS

D388,450 S *	12/1997	Hamano et al.	D16/203
6,503,000 B1 *	1/2003	Kim	396/427
6,525,766 B1 *	2/2003	Ikoma et al.	348/143
6,678,001 B1 *	1/2004	Elberbaum	348/373
6,715,940 B2 *	4/2004	Top et al.	396/427
D497,927 S *	11/2004	Arbuckle et al.	D16/203
D547,347 S *	7/2007	Kim	D16/202
D560,244 S *	1/2008	Naruki et al.	D16/203
D562,869 S *	2/2008	Asai	D16/203
2008/0124069 A1 *	5/2008	Basho	396/427

1 Claim, 7 Drawing Sheets

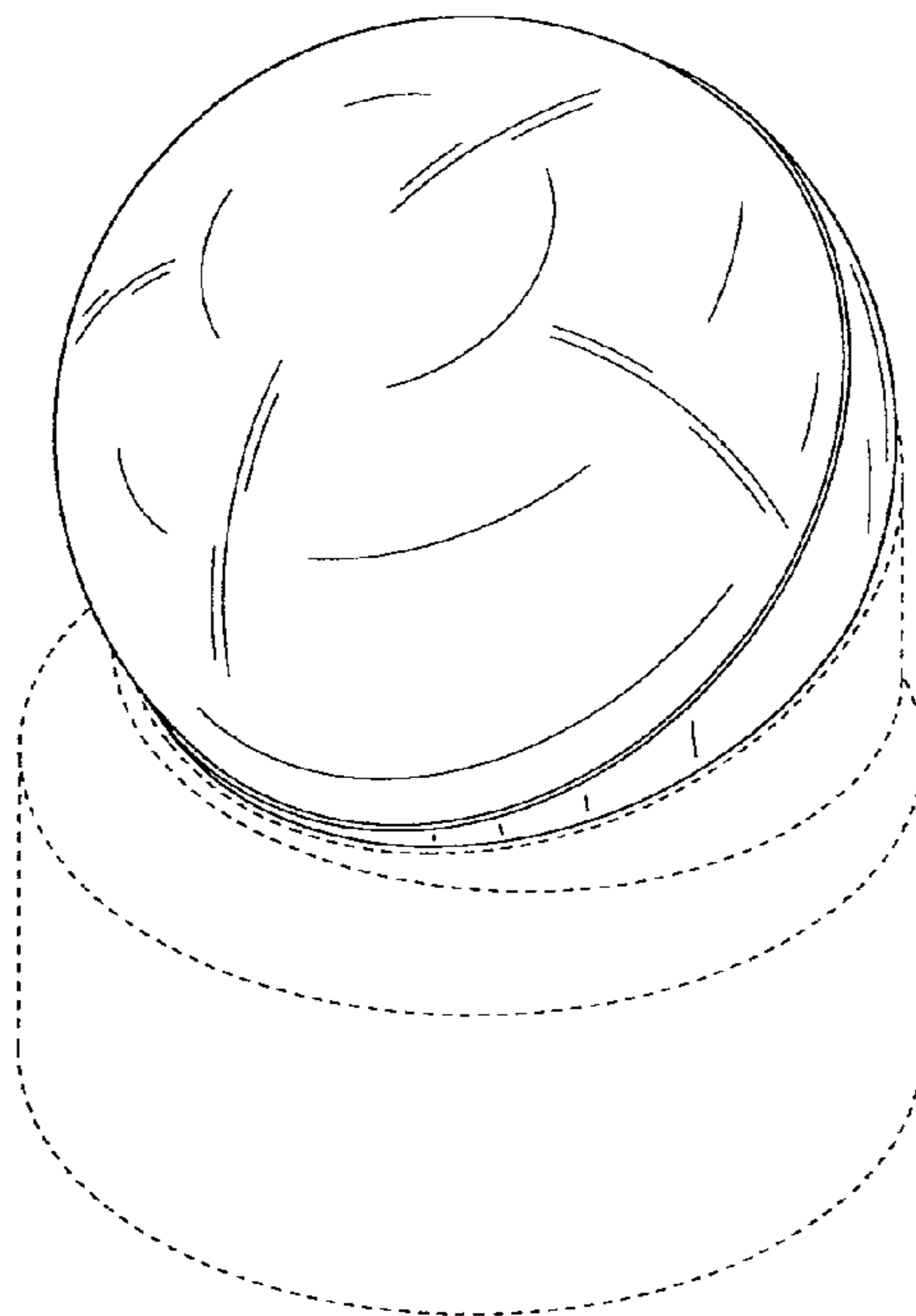


FIG. 1

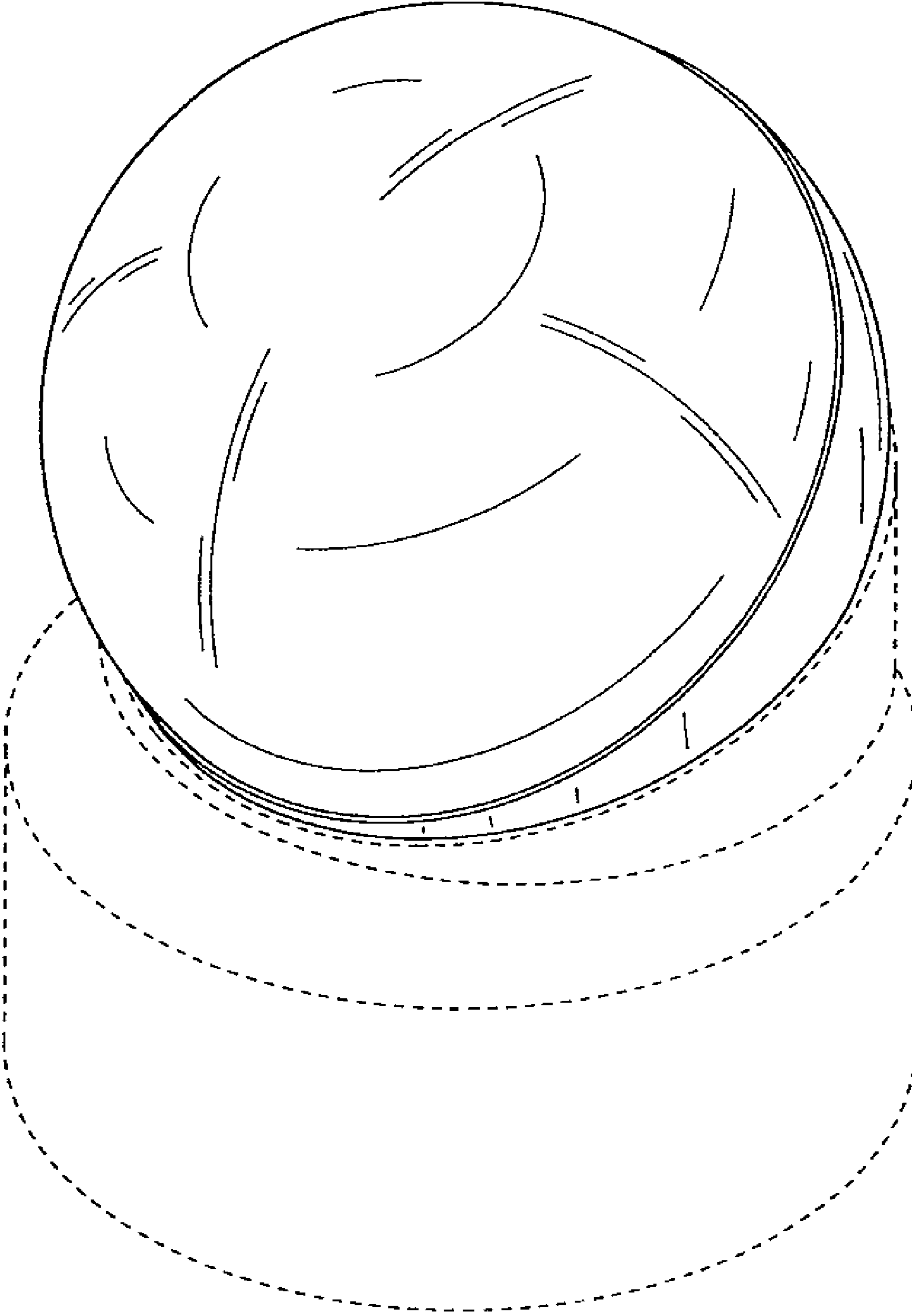


FIG. 2

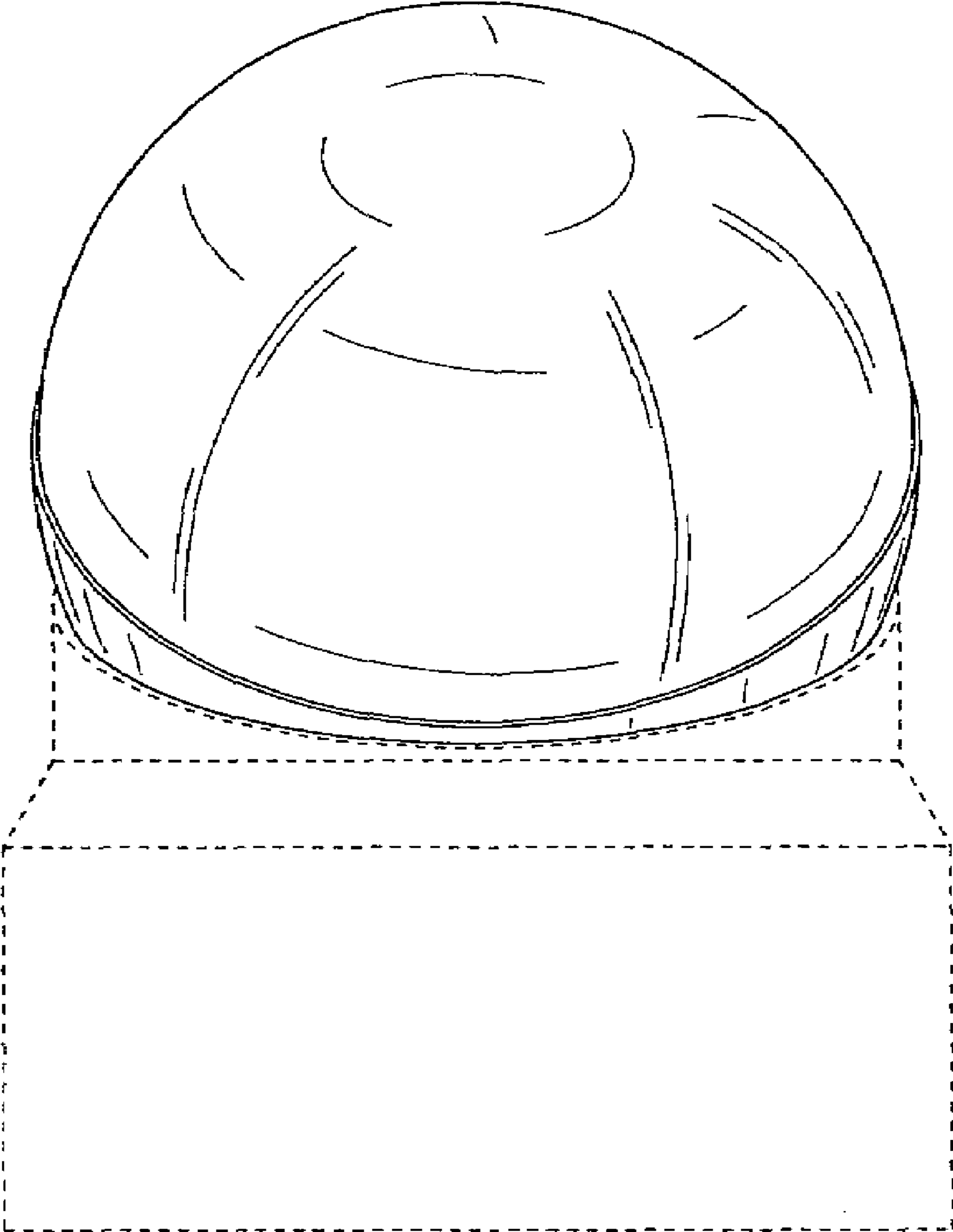


FIG. 3

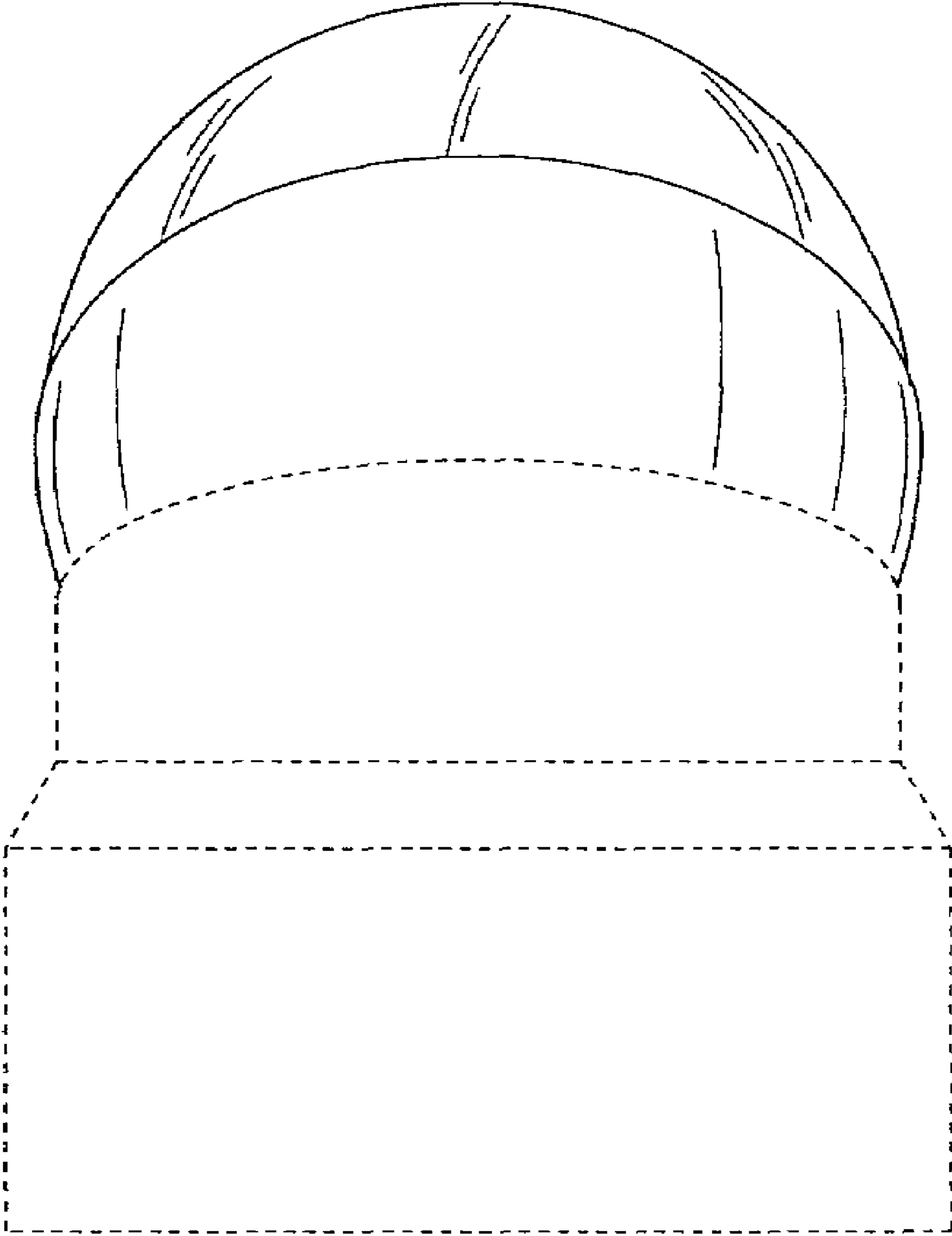


FIG. 4

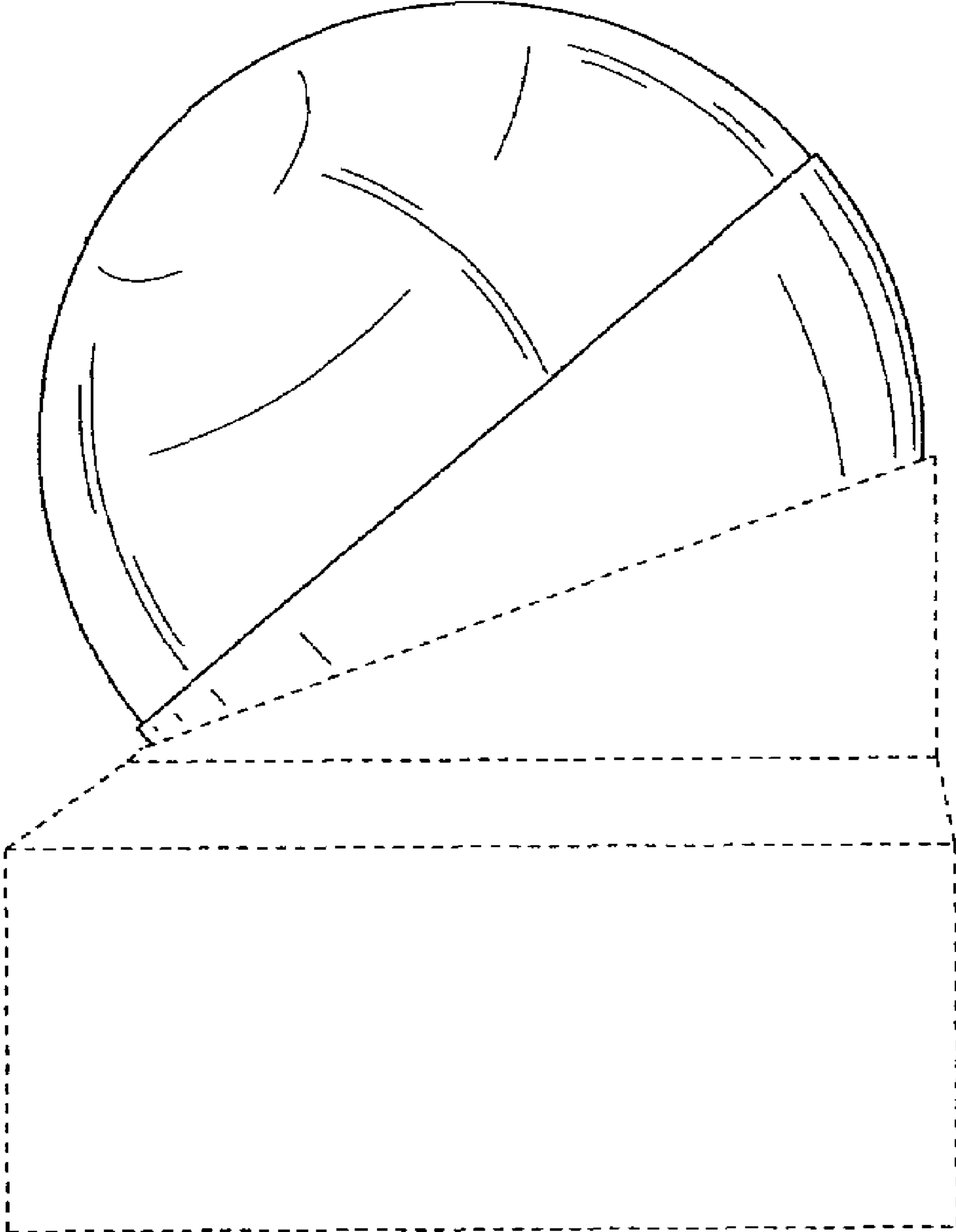


FIG. 5

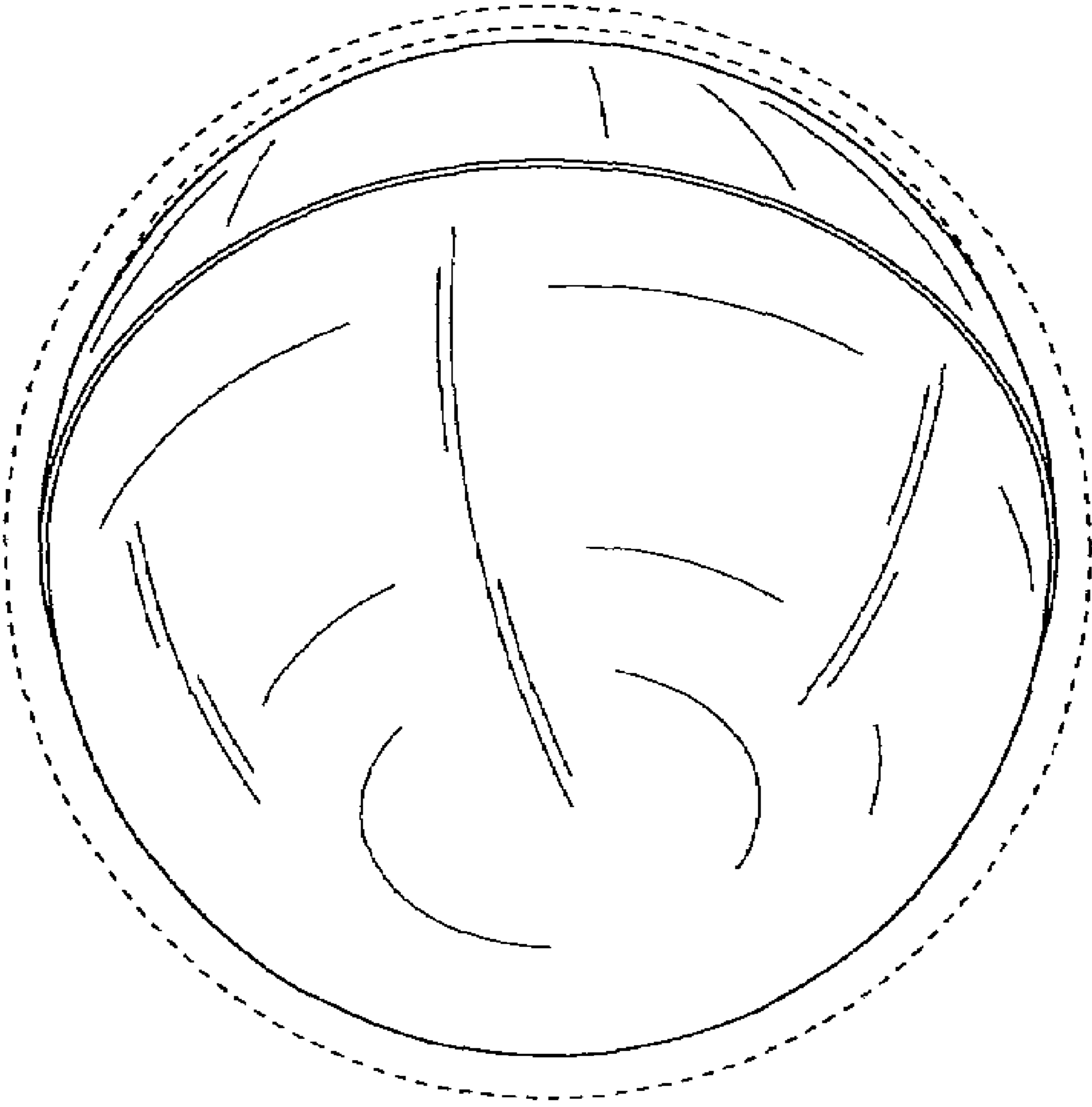


FIG. 6

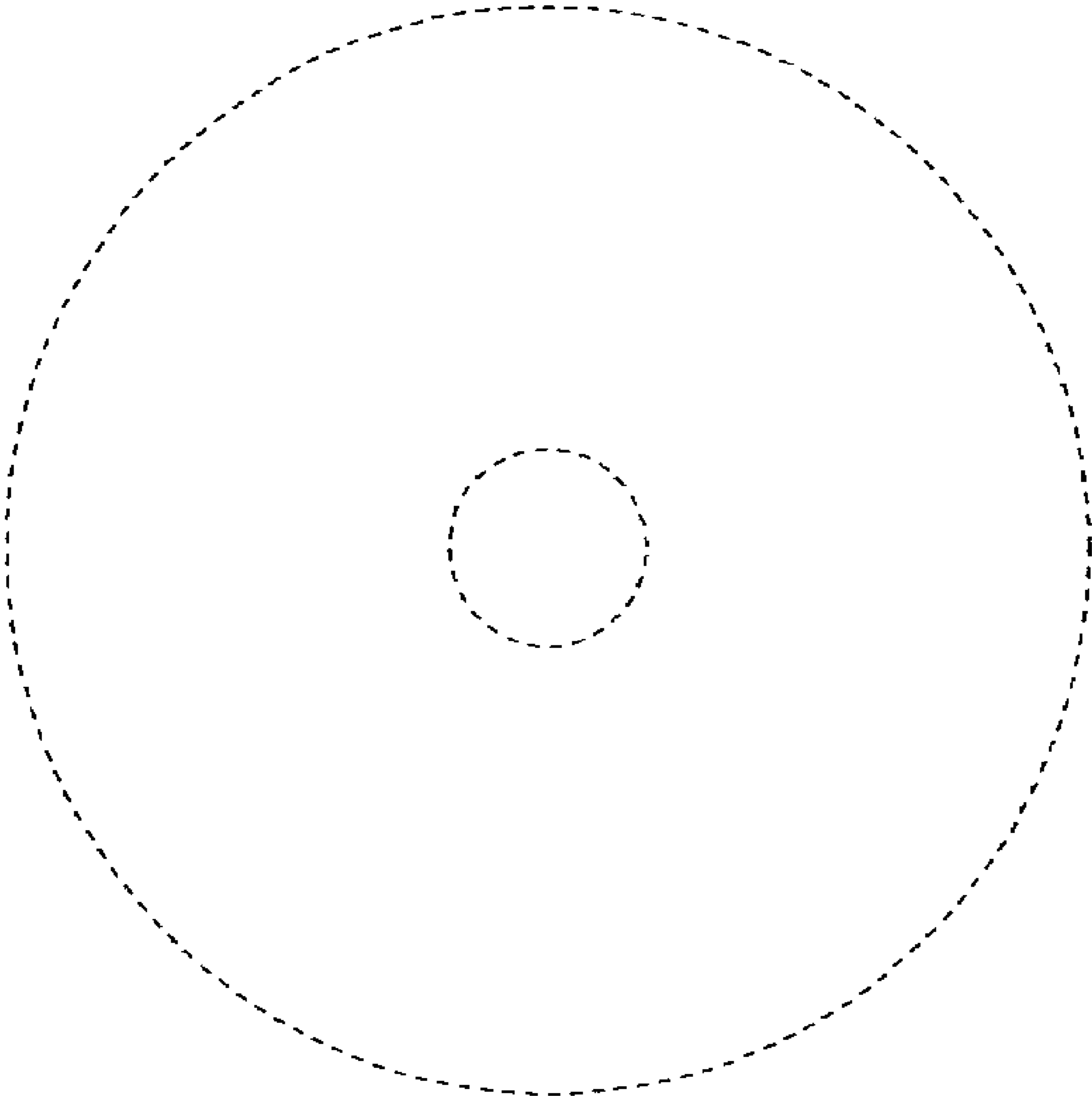


FIG.7

