



US00D603439S

(12) **United States Design Patent**  
**Buchheim**

(10) **Patent No.:** **US D603,439 S**

(45) **Date of Patent:** **\*\* Nov. 3, 2009**

(54) **MAGNIFYING GLASS WITH LIGHT SOURCE HAVING A BENDABLE NECK**

(75) Inventor: **Thomas Buchheim**, New York, NY (US)

(73) Assignee: **Kikkerland Design, Inc.**, New York, NY (US)

(\*\*) Term: **14 Years**

(21) Appl. No.: **29/312,226**

(22) Filed: **Oct. 7, 2008**

(51) **LOC (9) Cl.** ..... **26-02**

(52) **U.S. Cl.** ..... **D16/135; D26/38; D26/62**

(58) **Field of Classification Search** ..... D26/37,  
D26/38, 46, 40, 42, 43, 51; 362/257, 158,  
362/184-196, 200-208, 253

See application file for complete search history.

(56) **References Cited**

**U.S. PATENT DOCUMENTS**

|              |         |              |       |         |
|--------------|---------|--------------|-------|---------|
| D217,506 S * | 5/1970  | Knoetgen     | ..... | D16/135 |
| D236,028 S * | 7/1975  | Schroeder    | ..... | D16/135 |
| D253,045 S * | 10/1979 | Rizer        | ..... | D10/62  |
| D277,320 S * | 1/1985  | Selden       | ..... | D26/51  |
| D360,480 S * | 7/1995  | Hon          | ..... | D26/43  |
| D362,313 S * | 9/1995  | Zeller       | ..... | D26/43  |
| D380,567 S * | 7/1997  | Hon          | ..... | D26/38  |
| D401,371 S * | 11/1998 | Chen         | ..... | D26/38  |
| D402,069 S * | 12/1998 | Chan         | ..... | D26/38  |
| D417,021 S * | 11/1999 | Hollinger    | ..... | D26/38  |
| D536,116 S * | 1/2007  | Sharrah      | ..... | D26/43  |
| D538,830 S * | 3/2007  | Yip et al.   | ..... | D16/135 |
| D543,470 S * | 5/2007  | Bhavnani     | ..... | D10/2   |
| D545,983 S * | 7/2007  | Bennett, Jr. | ..... | D26/37  |

\* cited by examiner

*Primary Examiner*—Charles A Rademaker

*Assistant Examiner*—Carissa C Fitts

(74) *Attorney, Agent, or Firm*—Cascio, Schmoyer & Zervas

(57) **CLAIM**

The ornamental design for a magnifying glass with light source having a bendable neck, as shown and described.

**DESCRIPTION**

FIG. 1 is a top plan view of the magnifying glass with light source having a bendable neck showing my design with the light source in a stored configuration;

FIG. 2 is a cross sectional view taken along line 2—2 in FIG. 1;

FIG. 3 is a left side elevational view thereof;

FIG. 4 is a right side elevational view thereof;

FIG. 5 is a bottom plan view thereof;

FIG. 6 is a rear elevational view thereof;

FIG. 7 is a front elevational view thereof;

FIG. 8 is a perspective view thereof with the light source in a stored configuration;

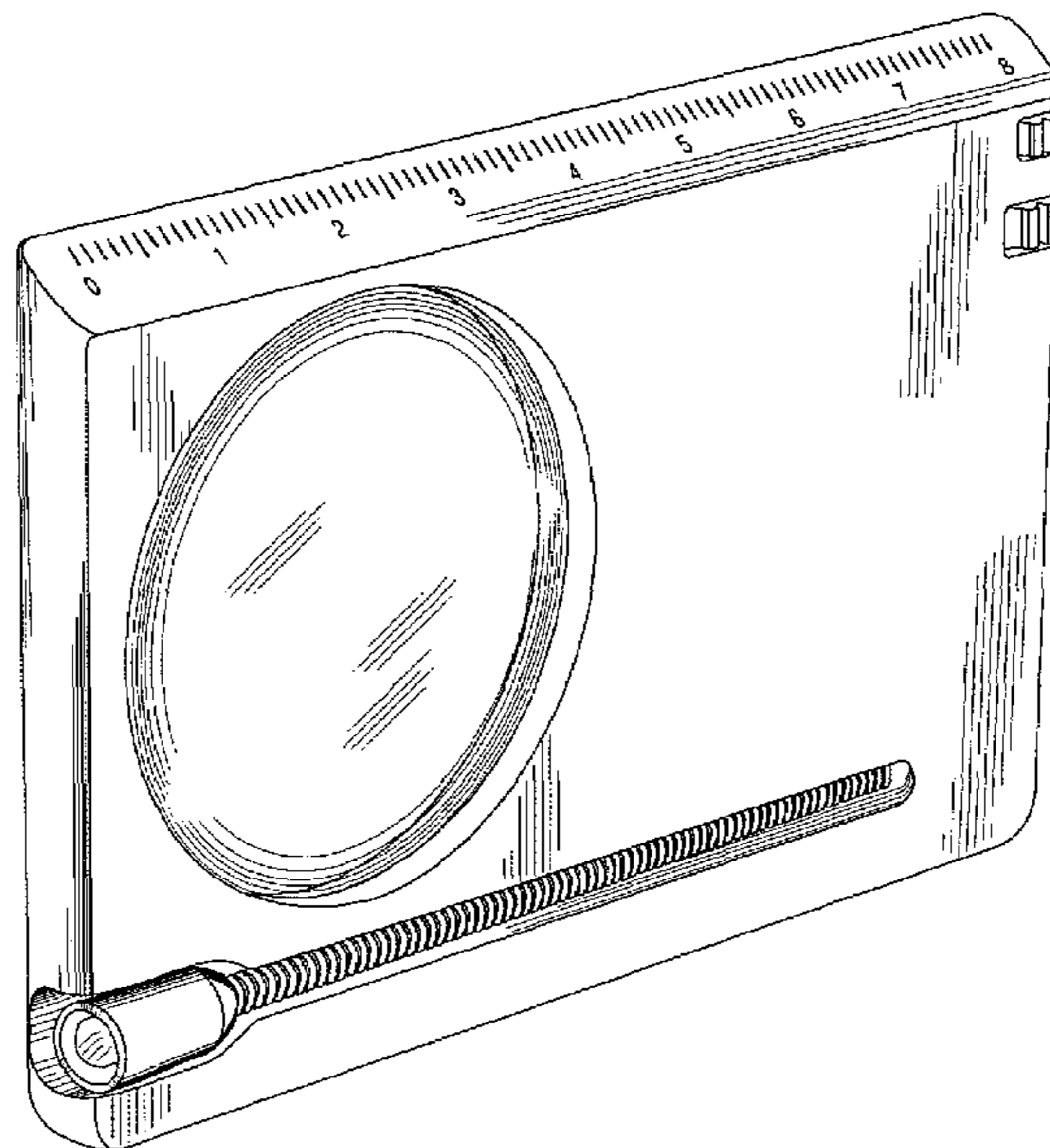
FIG. 9 is a perspective view thereof with the light source in an in use configuration with the bendable neck being illustrated as being bent in a first position;

FIG. 10 is a perspective view thereof with the light source in an in use configuration with the bendable neck being illustrated as being bent in a second position; and,

FIG. 11 is a perspective view thereof with the light source in a stored configuration and showing a pen and a stylus removed from their stored configurations.

The broken lines showing the pen and stylus in FIG. 11 are for illustrative purposes only and form no part of the claimed design.

**1 Claim, 6 Drawing Sheets**



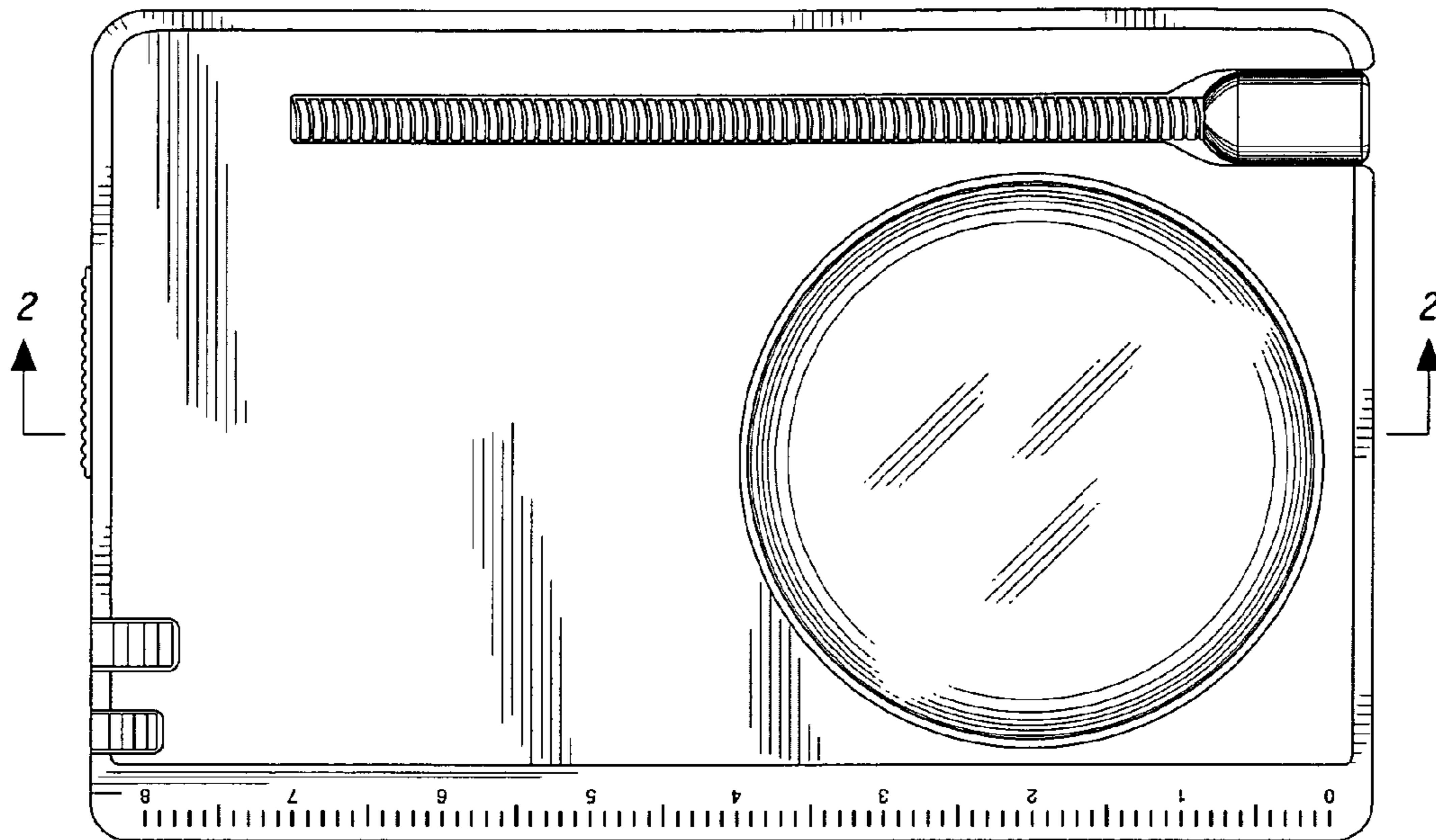


FIG. 1

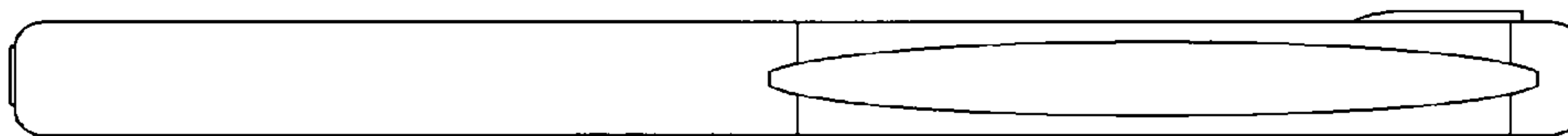


FIG. 2

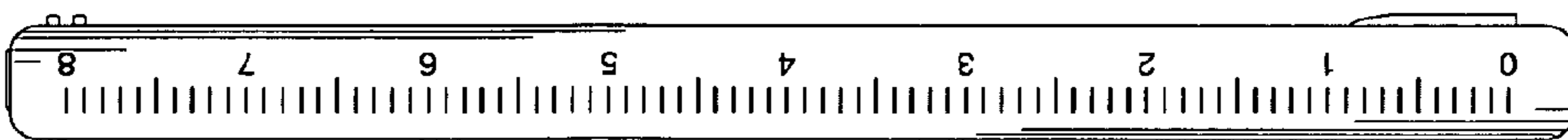


FIG. 3

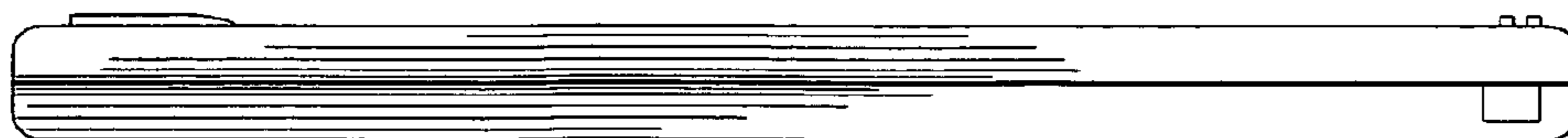


FIG. 4

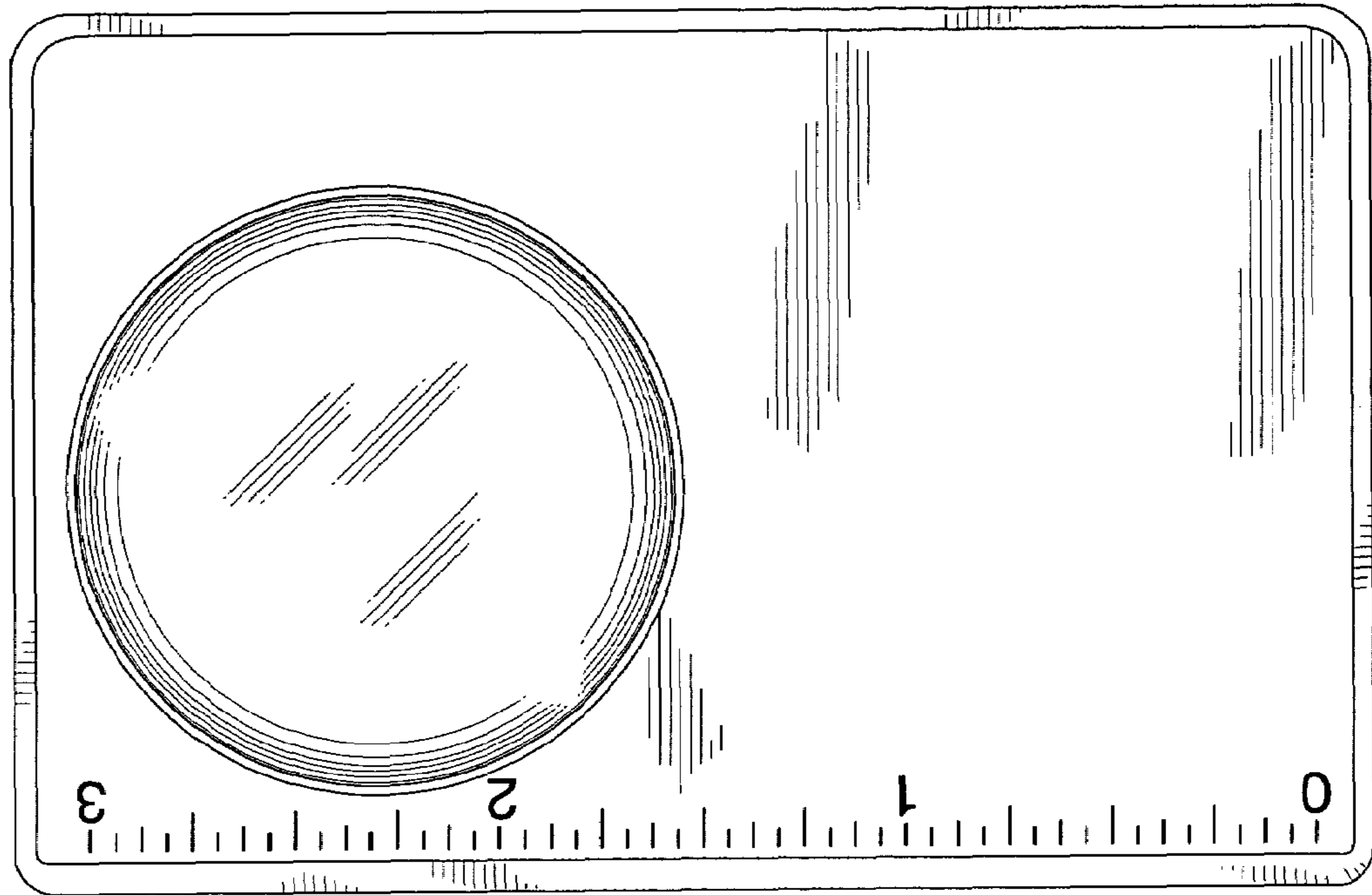


FIG. 5



FIG. 6

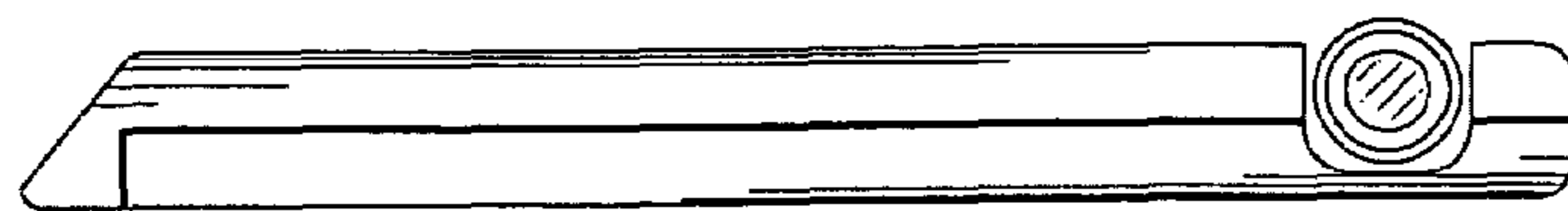
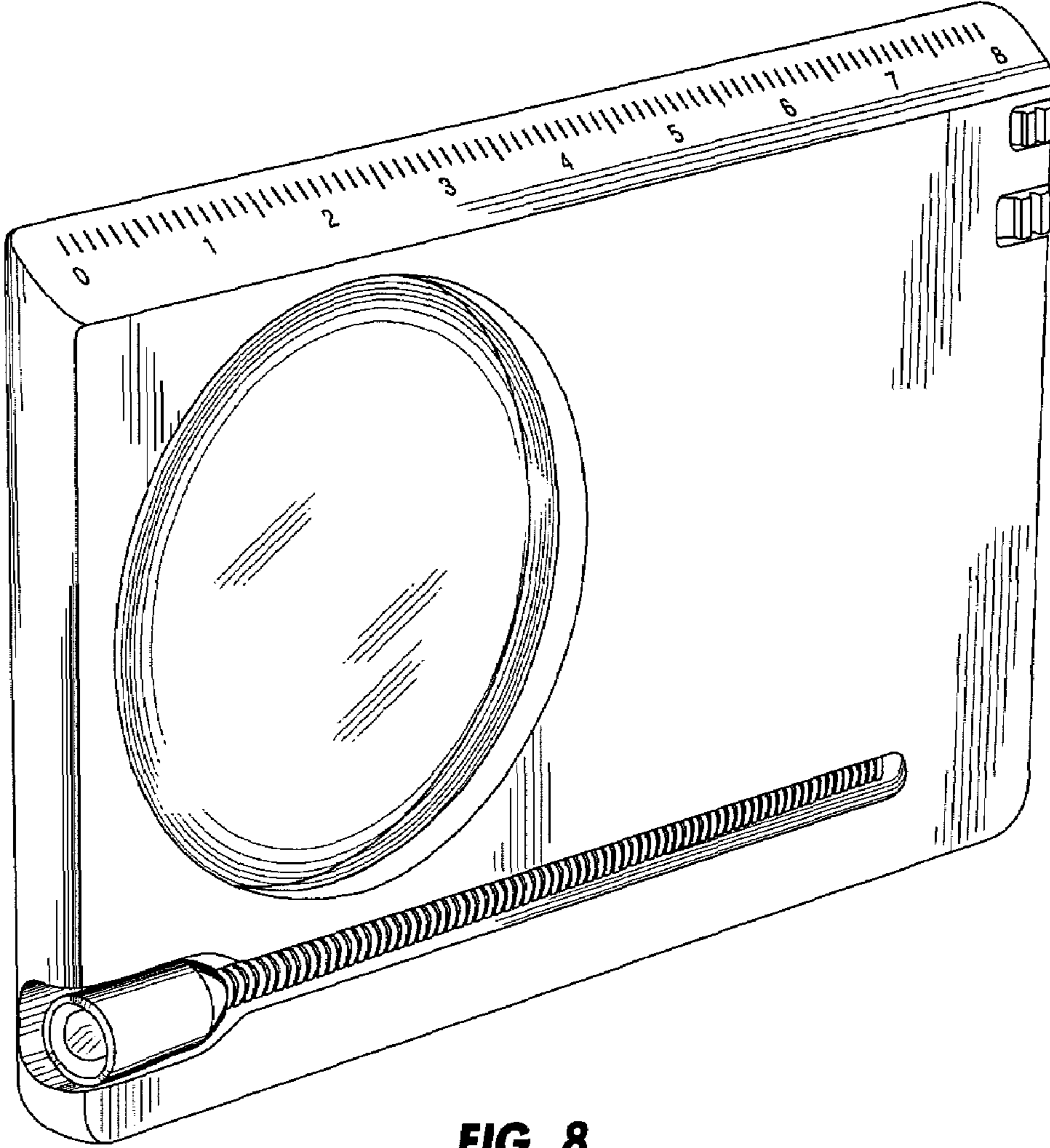
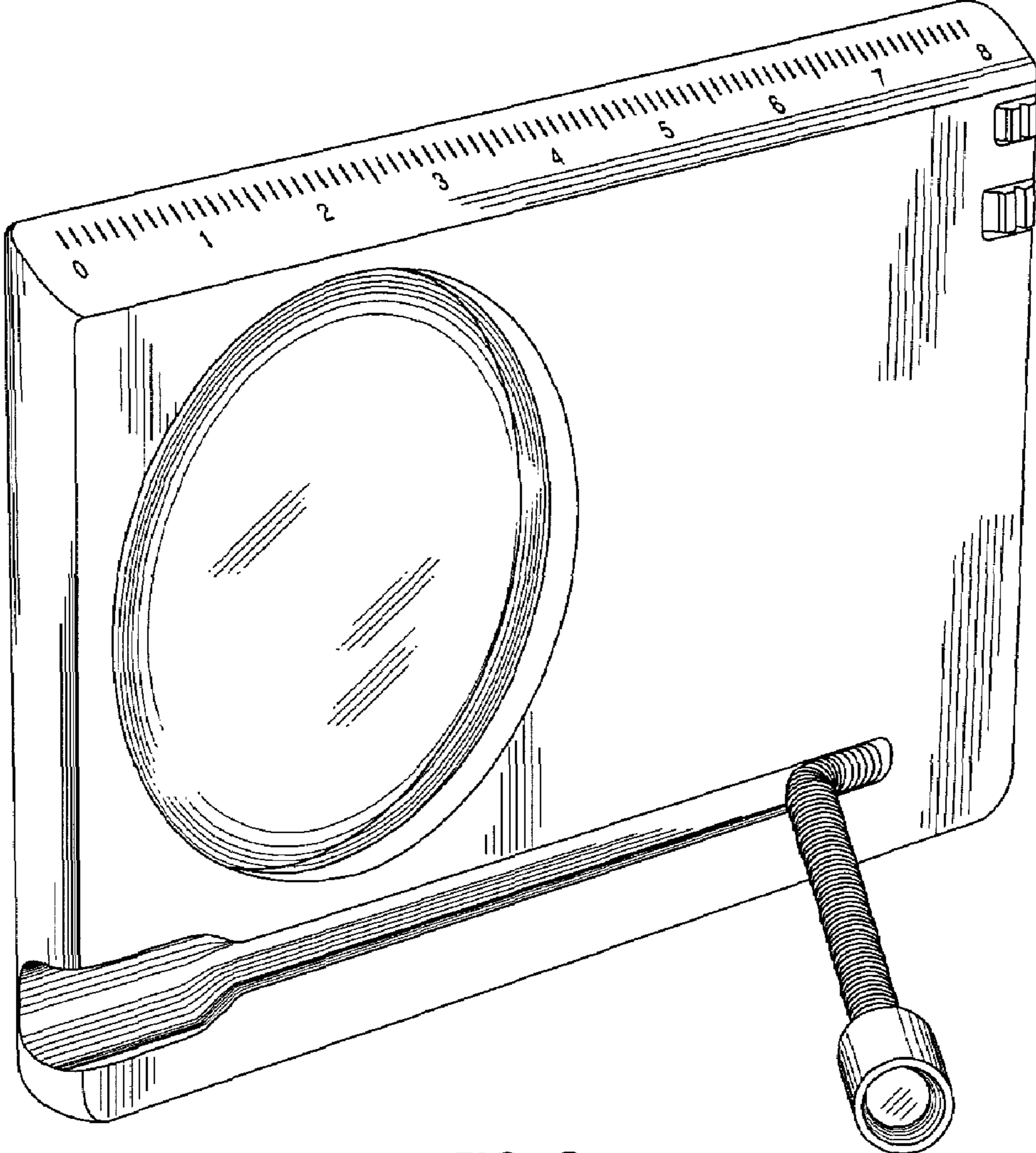


FIG. 7



**FIG. 8**



**FIG. 9**

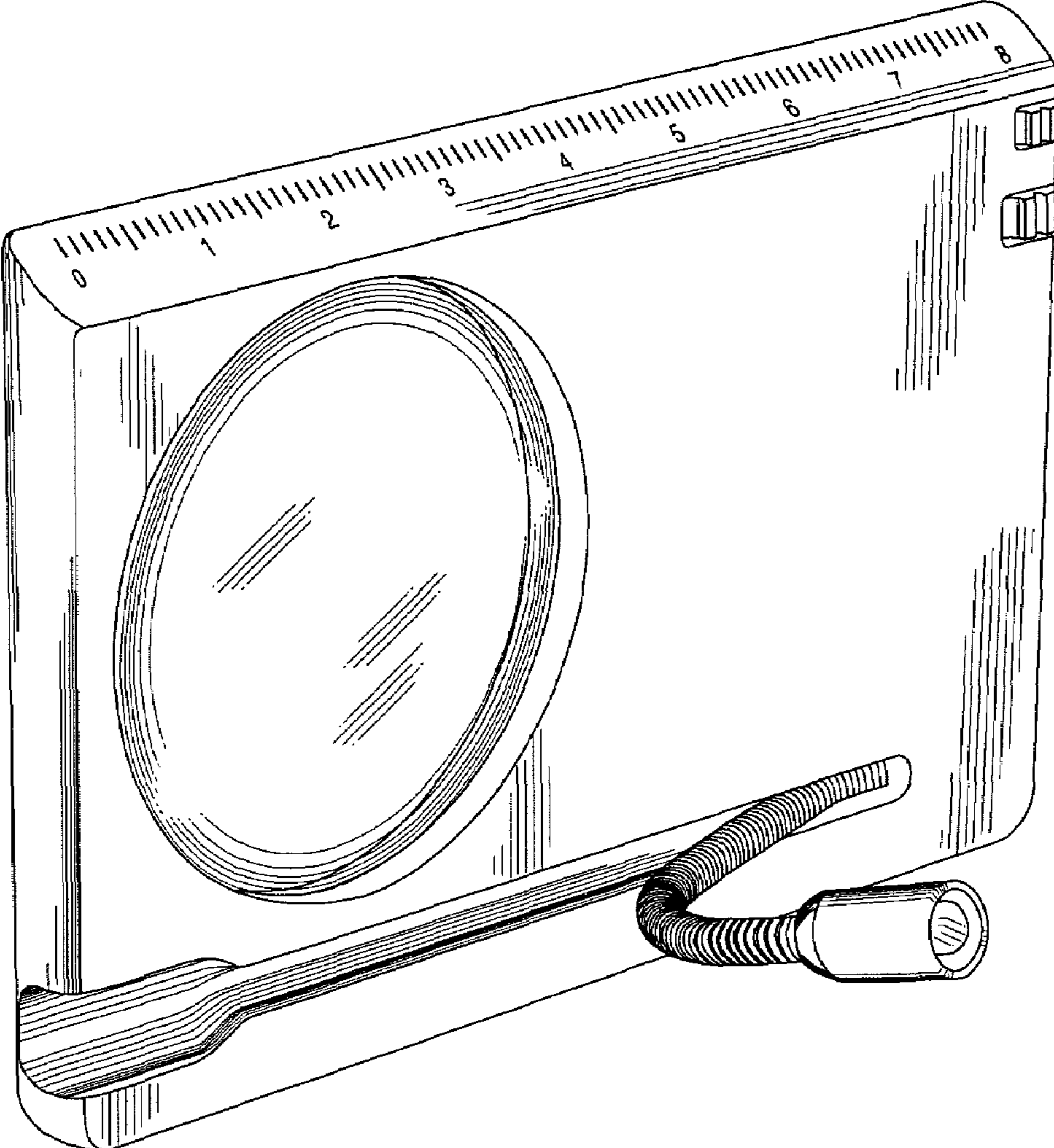


FIG. 10

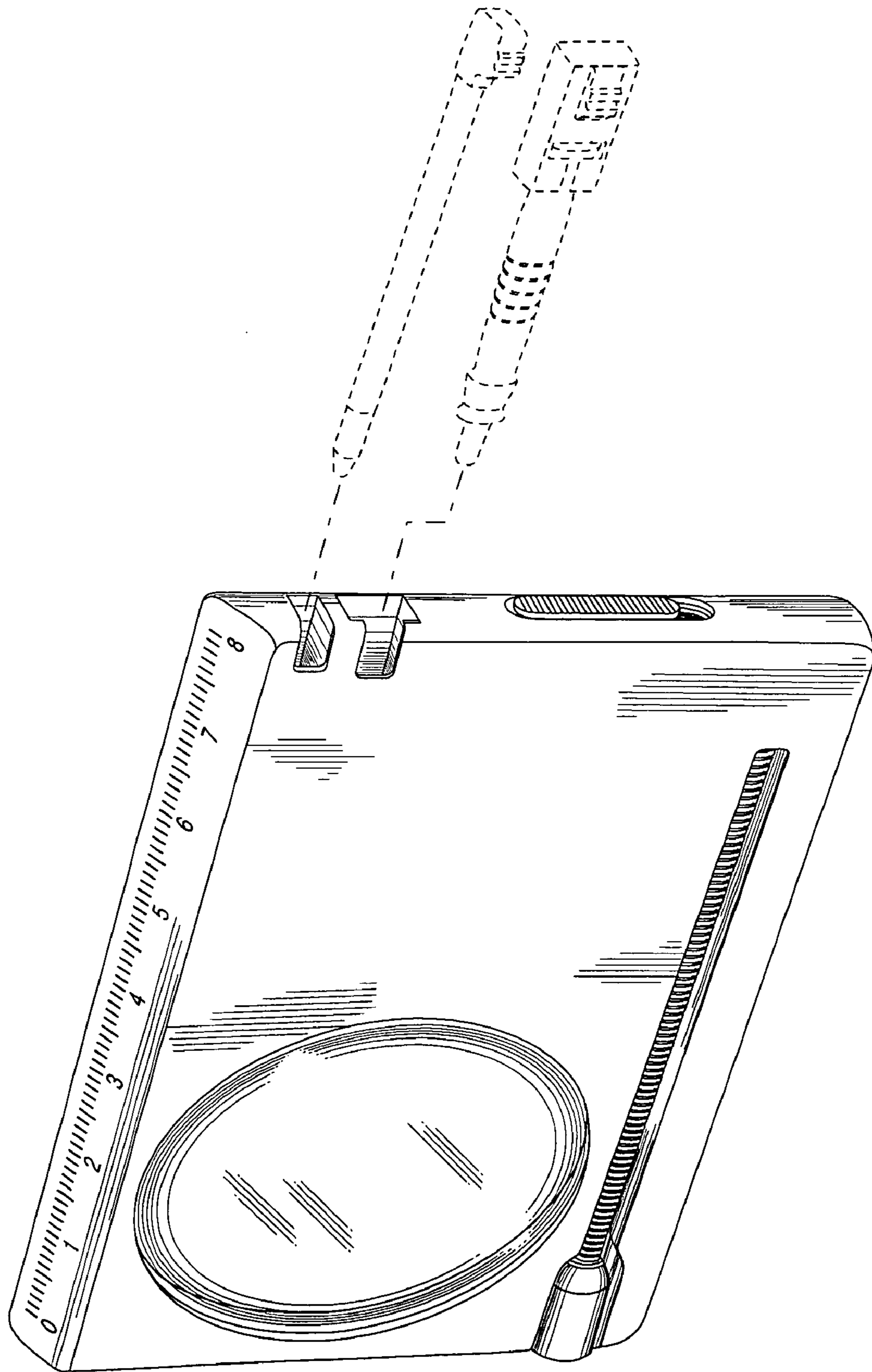


FIG. 11