



US00D603438S

(12) **United States Design Patent**  
**Takishima**

(10) **Patent No.:** **US D603,438 S**

(45) **Date of Patent:** **\*\* Nov. 3, 2009**

(54) **LENS**

(75) Inventor: **Suguru Takishima**, Tokyo (JP)

(73) Assignee: **PENTAX Corporation**, Tokyo (JP)

(\*\*) Term: **14 Years**

(21) Appl. No.: **29/304,620**

(22) Filed: **Mar. 5, 2008**

(30) **Foreign Application Priority Data**

Sep. 6, 2007 (JP) ..... 2007-024299

(51) **LOC (9) Cl.** ..... **08-06**

(52) **U.S. Cl.** ..... **D16/135; D16/130**

(58) **Field of Classification Search** ..... D16/130,  
D16/134, 135, 137; 359/811, 816, 819, 826,  
359/827, 828; 369/44.28, 44.32, 44.14, 112.08,  
369/53.25; D19/97

See application file for complete search history.

(56) **References Cited**

**U.S. PATENT DOCUMENTS**

D243,394 S \* 2/1977 Nerad et al. .... D16/135  
D260,401 S \* 8/1981 Leopoldi ..... D16/135  
5,050,963 A \* 9/1991 Murakami ..... 359/808  
6,324,141 B2 \* 11/2001 Takishima et al. .... 369/53.25  
6,469,844 B1 \* 10/2002 Iwase et al. .... 359/819  
6,574,053 B1 \* 6/2003 Spinali ..... 359/819  
6,633,519 B2 \* 10/2003 Park et al. .... 369/44.14  
6,724,548 B2 \* 4/2004 Weber ..... 359/819  
6,768,601 B2 \* 7/2004 Ju ..... 359/824  
6,807,671 B2 \* 10/2004 Horimai ..... 720/674  
7,268,957 B2 \* 9/2007 Frenzel et al. .... 359/811

7,289,282 B2 \* 10/2007 Matsushima ..... 359/819  
7,391,582 B2 \* 6/2008 Inui et al. .... 359/819  
7,436,608 B2 \* 10/2008 Chuang et al. .... 359/824

**FOREIGN PATENT DOCUMENTS**

JP 835172 S 2/1998  
JP 1147756 S 7/2002  
JP 2003-196877 A 7/2003  
JP 2003-217163 A 7/2003  
JP 2004-295998 A 10/2004

**OTHER PUBLICATIONS**

Japanese Office Action dated Jun. 13, 2008.

U.S. Appl. No. 29/304,603, Suguru Takishima, filed Mar. 5, 2008.

U.S. Appl. No. 29/304,648, Suguru Takishima, filed Mar. 5, 2008.

U.S. Appl. No. 29/304,652, Suguru Takishima, filed Mar. 5, 2008.

\* cited by examiner

*Primary Examiner*—Paula Greene

(74) *Attorney, Agent, or Firm*—Sughrue Mion, PLLC

(57) **CLAIM**

The ornamental design for a lens, as shown and described.

**DESCRIPTION**

FIG. 1 is a perspective view of the front and side of a lens showing my new design;

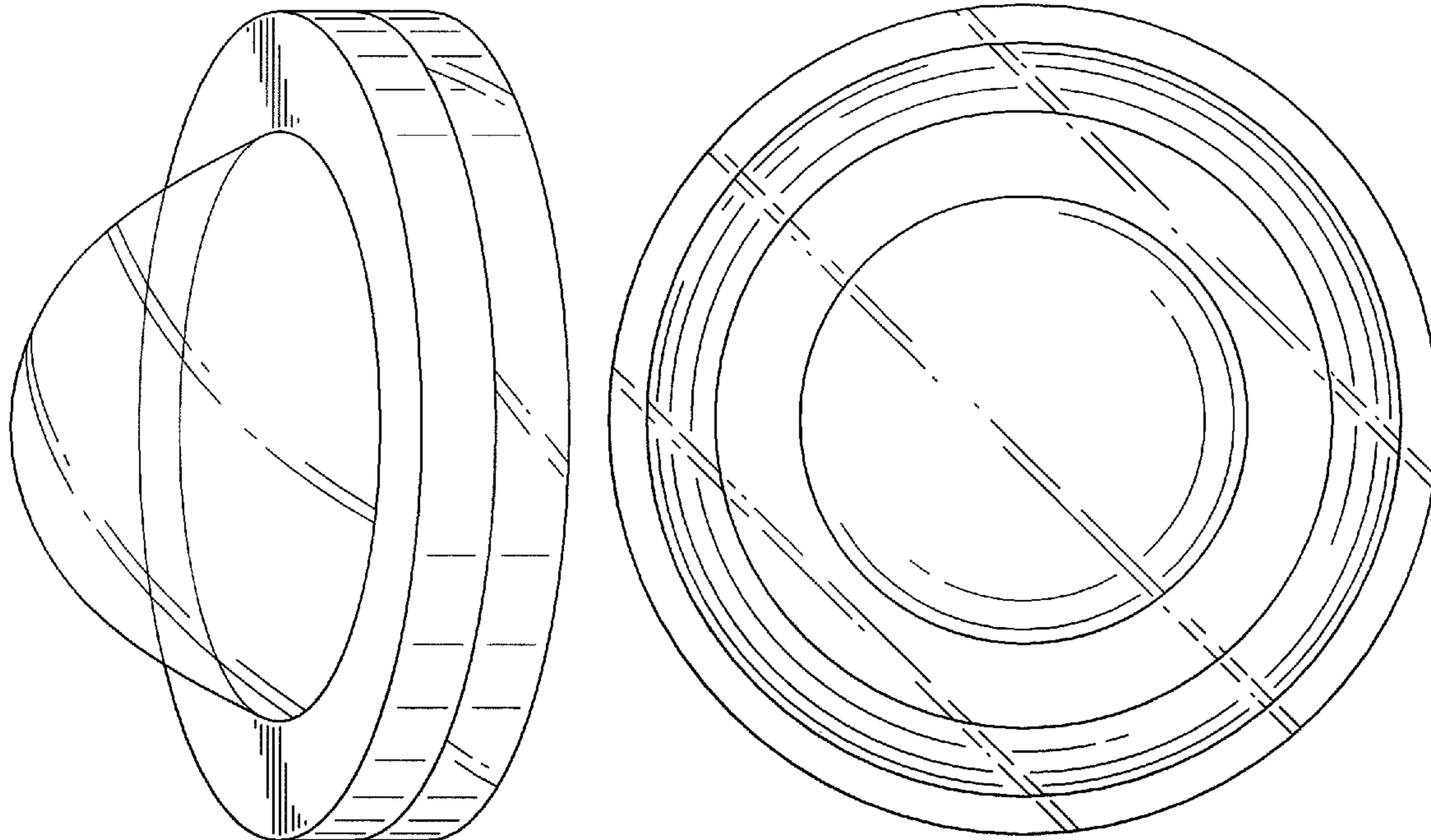
FIG. 2 is a front elevational view thereof;

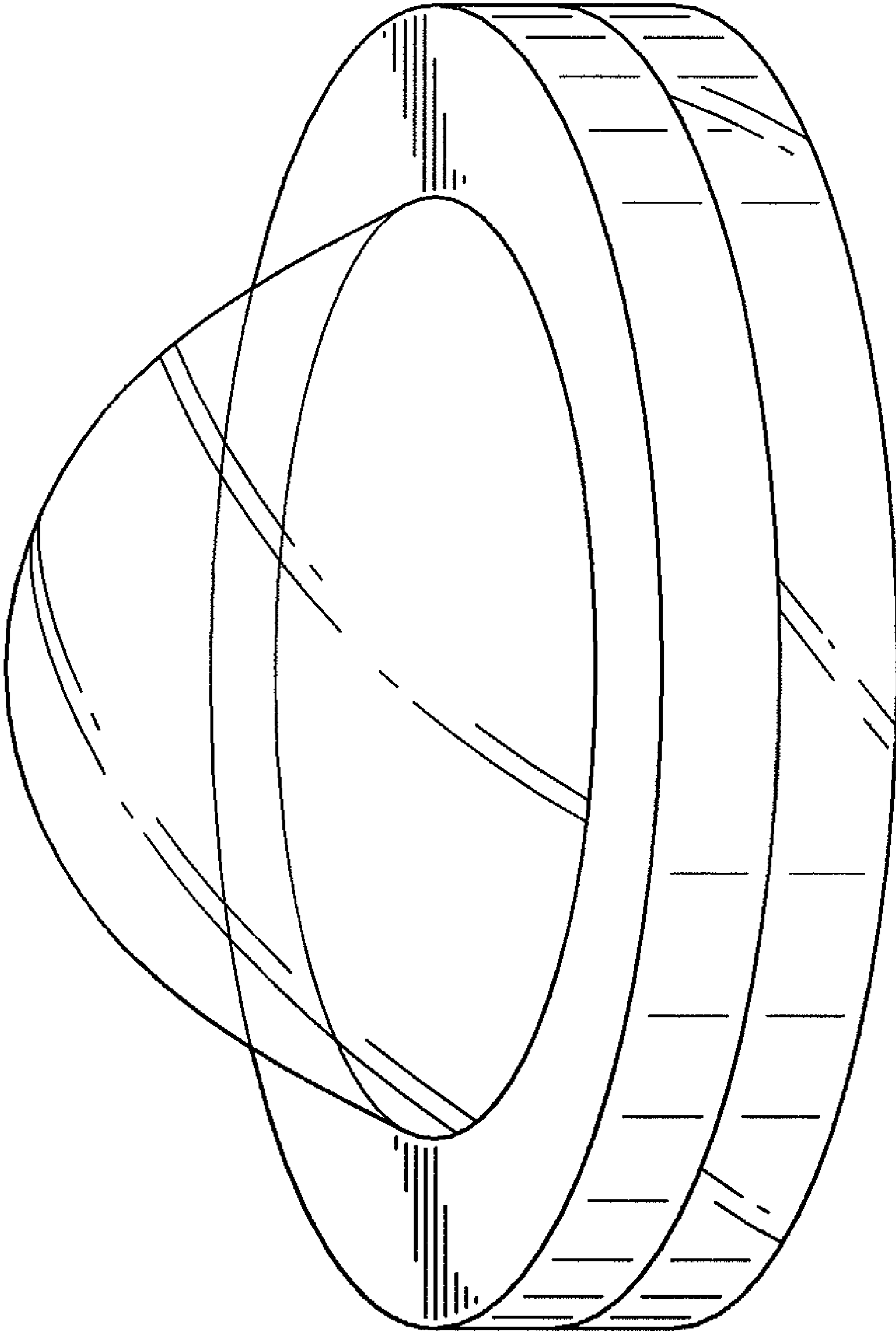
FIG. 3 is a rear elevational view thereof;

FIG. 4 is a top view thereof, with the bottom, right side and left side being the same; and,

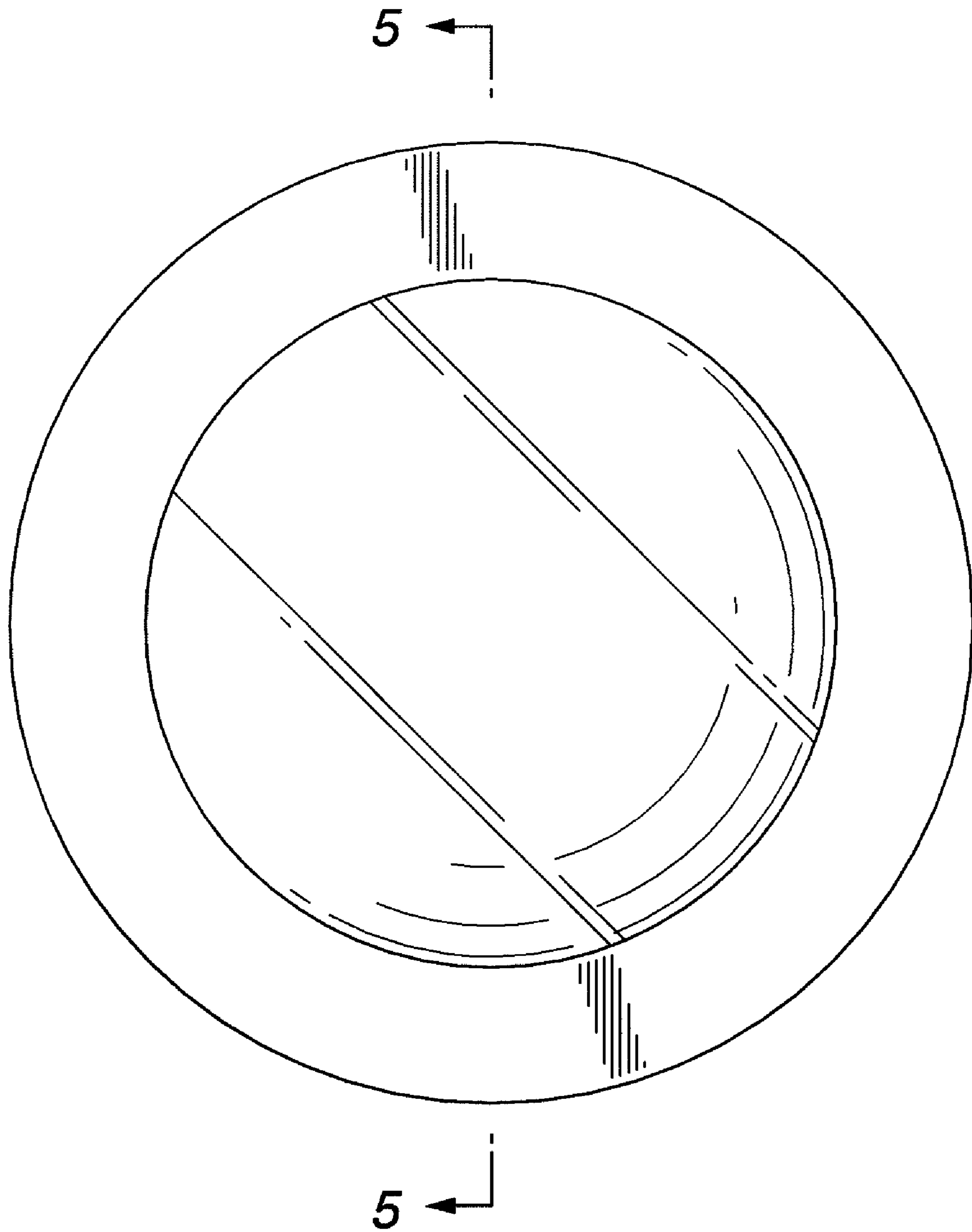
FIG. 5 is a cross-sectional view thereof, along 5—5 in FIG. 2.

**1 Claim, 5 Drawing Sheets**

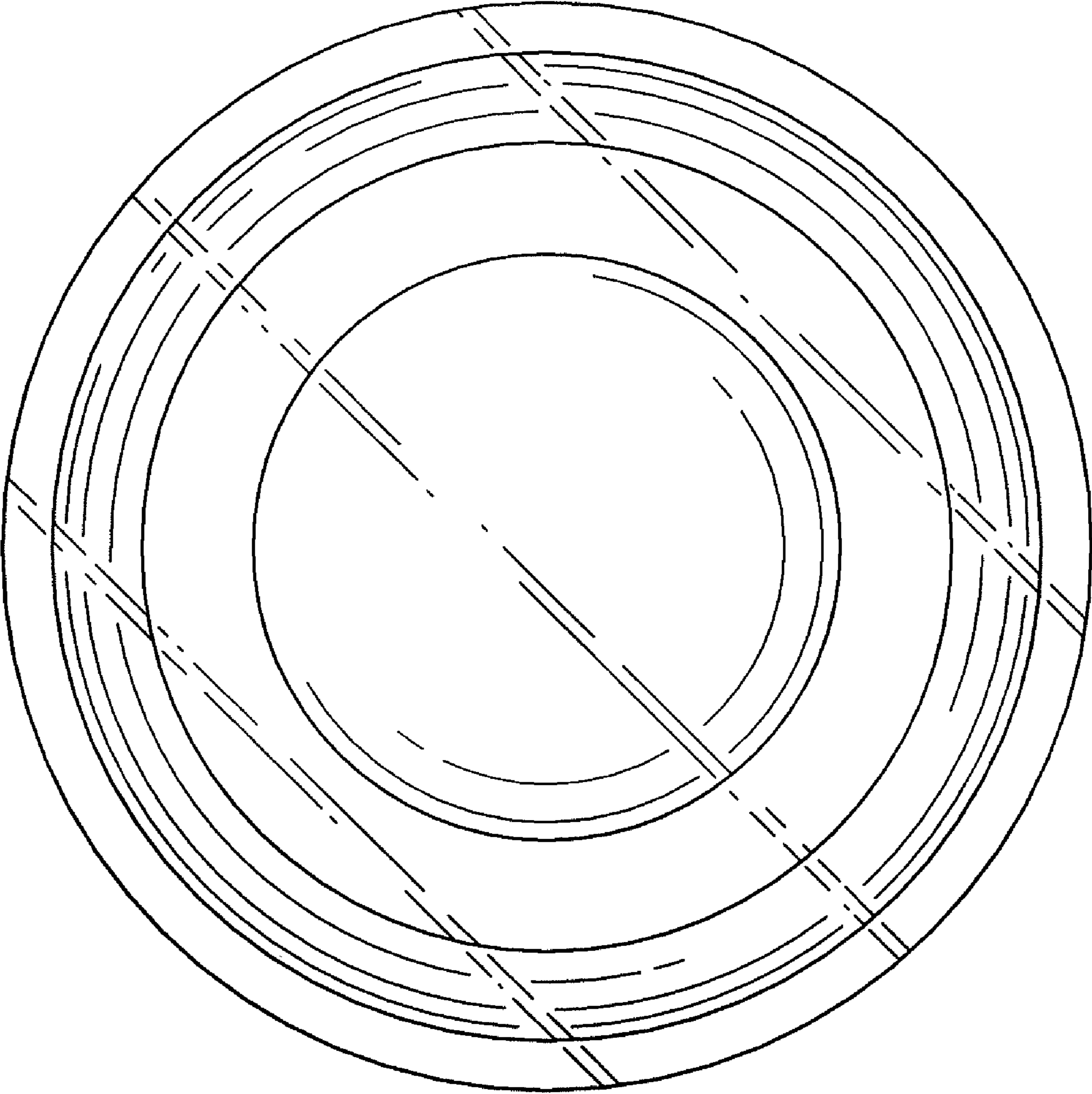




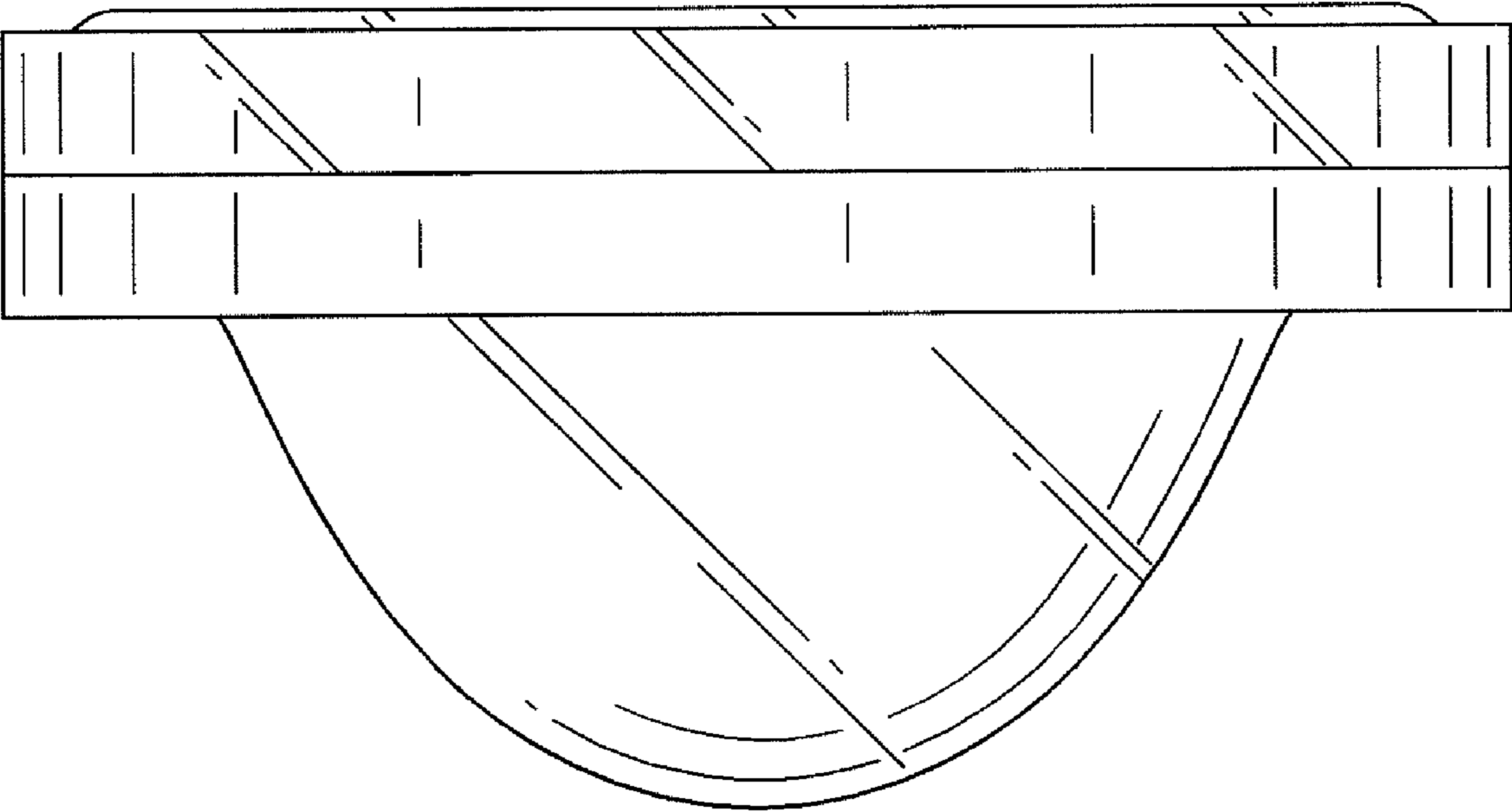
**FIG. 1**



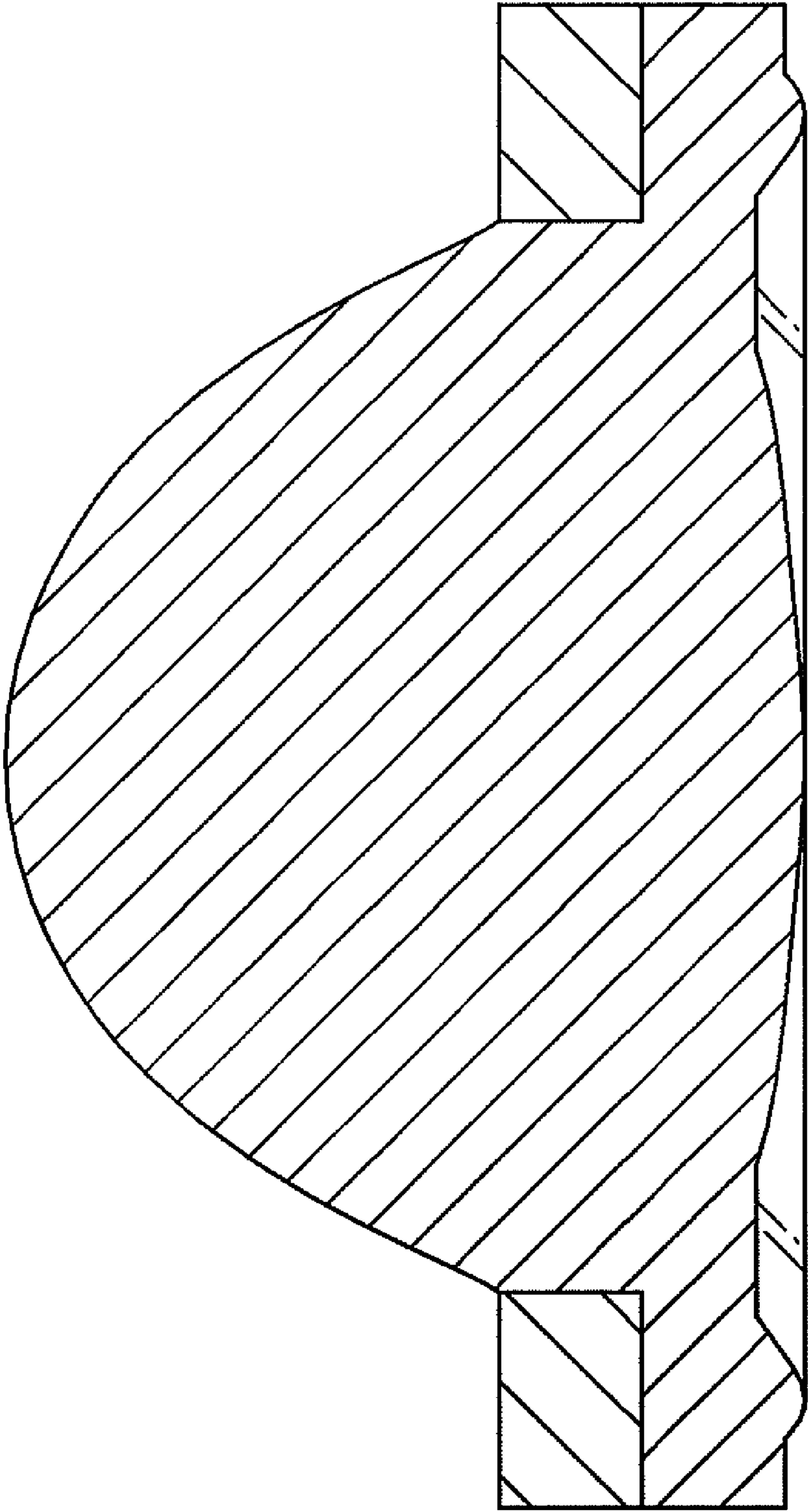
**FIG. 2**



**FIG. 3**



**FIG. 4**



**FIG. 5**