



US00D603435S

(12) **United States Design Patent**  
**Walton et al.**

(10) **Patent No.:** **US D603,435 S**  
(45) **Date of Patent:** **\*\* Nov. 3, 2009**

(54) **DOSAGE PISTON RETENTION CLIP**

(75) Inventors: **Frank A. Walton**, Ft. Worth, TX (US);  
**Jay A. Rasmussen**, Richardson, TX  
(US)

(73) Assignee: **Dosmatic USA, Inc.**, Carrollton, TX  
(US)

(\*\*) Term: **14 Years**

(21) Appl. No.: **29/323,719**

(22) Filed: **Aug. 29, 2008**

(51) **LOC (9) Cl.** ..... **15-09**

(52) **U.S. Cl.** ..... **D15/143**

(58) **Field of Classification Search** ..... D15/5,  
D15/7, 138, 143, 199; 60/408-409, 443-445,  
60/448, 451, 452; 91/15, 224, 225, 227,  
91/229, 322, 330, 331, 344, 346, 347; 137/99;  
251/75, 76; 417/60, 91-98, 360, 366, 403,  
417/510, 900

See application file for complete search history.

(56) **References Cited**

**U.S. PATENT DOCUMENTS**

3,228,560	A	1/1966	Tacchi	
3,610,264	A	10/1971	Flagg	
3,963,038	A	6/1976	Jensen	
4,030,495	A	6/1977	Virag	
4,084,606	A	4/1978	Mittleman	
4,199,083	A	4/1980	LoMaglio	
4,527,462	A *	7/1985	Okabe	92/51
4,558,715	A	12/1985	Walton et al.	
4,729,401	A	3/1988	Raines	
4,790,796	A *	12/1988	Okabe et al.	474/110
4,809,731	A	3/1989	Walton et al.	
5,137,435	A	8/1992	Walton	
5,370,584	A *	12/1994	Todd	474/110
5,513,963	A	5/1996	Walton	
D371,562	S *	7/1996	Rushfeldt	D15/7
5,683,232	A	11/1997	Adahan	
5,700,215	A *	12/1997	Tada et al.	474/110
5,951,265	A	9/1999	Bryant	
5,993,342	A *	11/1999	Wigsten et al.	474/110
6,117,033	A *	9/2000	Simpson	474/110

6,126,563	A *	10/2000	Simpson	474/110
D456,819	S *	5/2002	Sebion et al.	D15/7
6,453,940	B1	9/2002	Tipton et al.	
D473,242	S *	4/2003	Shiina	D15/9
6,684,753	B1	2/2004	Urrutia	
6,685,587	B2 *	2/2004	Rossato et al.	474/109
6,910,405	B2	6/2005	Walton et al.	
7,037,228	B2 *	5/2006	Yoshida et al.	474/109
7,455,607	B2 *	11/2008	Narita et al.	474/109

**FOREIGN PATENT DOCUMENTS**

WO 2005008060 A2 1/2005

\* cited by examiner

*Primary Examiner*—Sandra Snapp

*Assistant Examiner*—Patricia Palasik

(74) *Attorney, Agent, or Firm*—Colin P. Cahoon; Bobby W. Braxton; Carstens & Cahoon, LLP

(57) **CLAIM**

The ornamental design for a dosage piston retention clip, as shown and described.

**DESCRIPTION**

FIG. 1 is a perspective view of the retention clip in a first position;

FIG. 2 is a front elevation view of the retention clip in a first position, with the rear elevation view being, identical to the front elevation view;

FIG. 3 is a left elevation view of the retention clip in a first position, with the right elevation view being identical to the left elevation view;

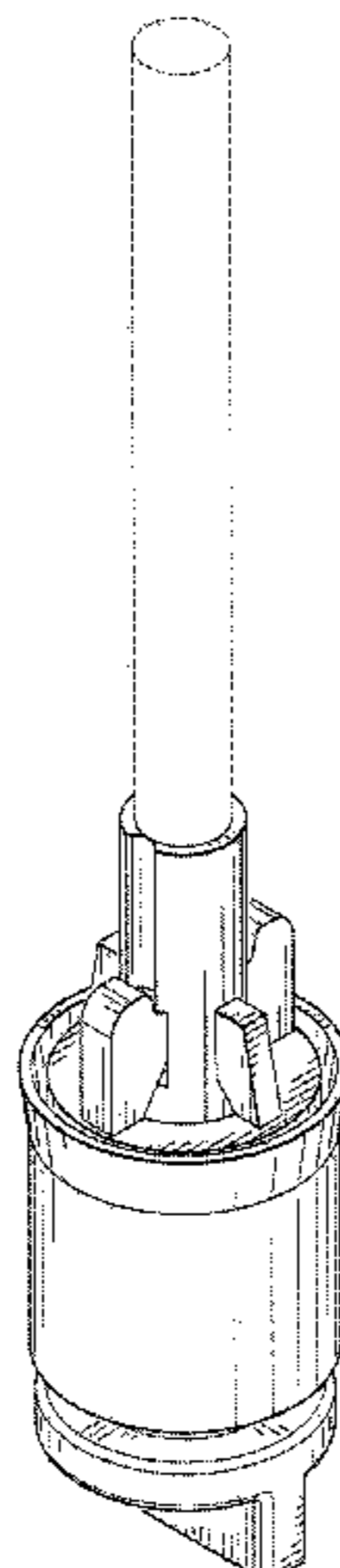
FIG. 4 is a top plan view of the retention clip;

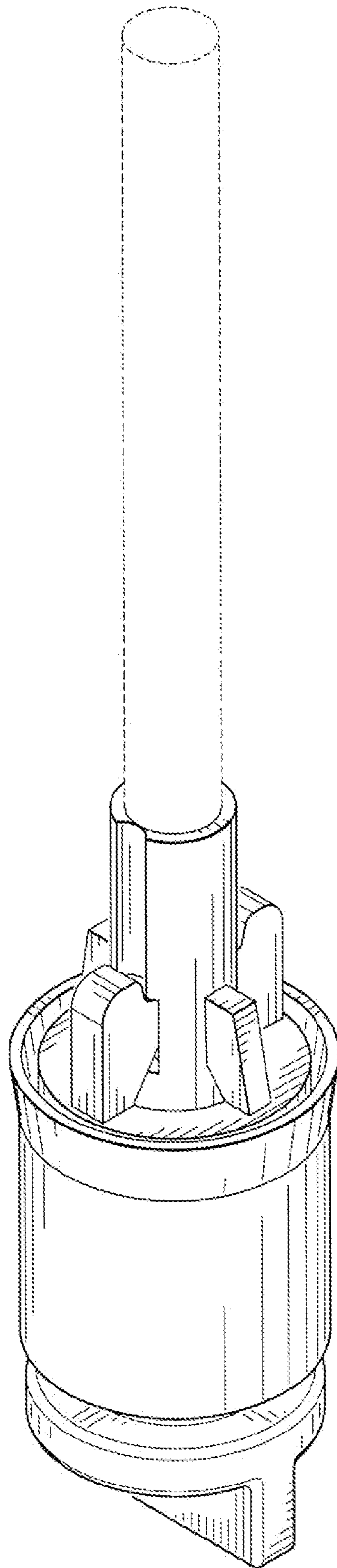
FIG. 5 is a bottom plum view of the retention clip; and,

FIG. 6 is a perspective view of the retention clip in a second position.

The broken line showing a piston in FIGS. 1, 2, 3, and 6 is for illustrative purposes only and forms no part of the claimed design.

**1 Claim, 3 Drawing Sheets**





*FIG. 1*

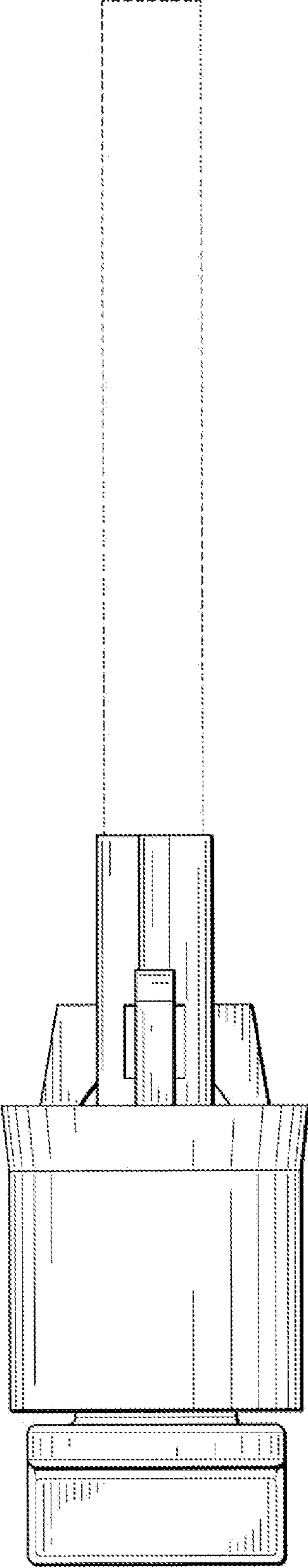


FIG. 2

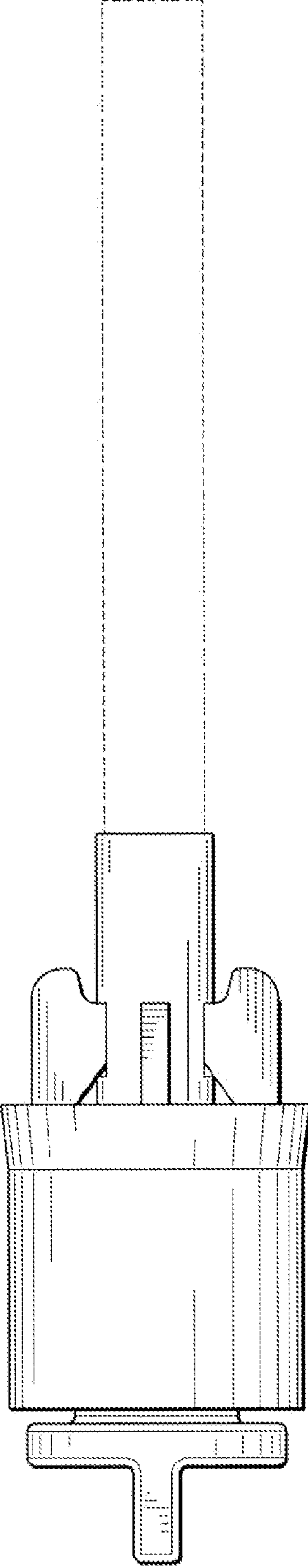
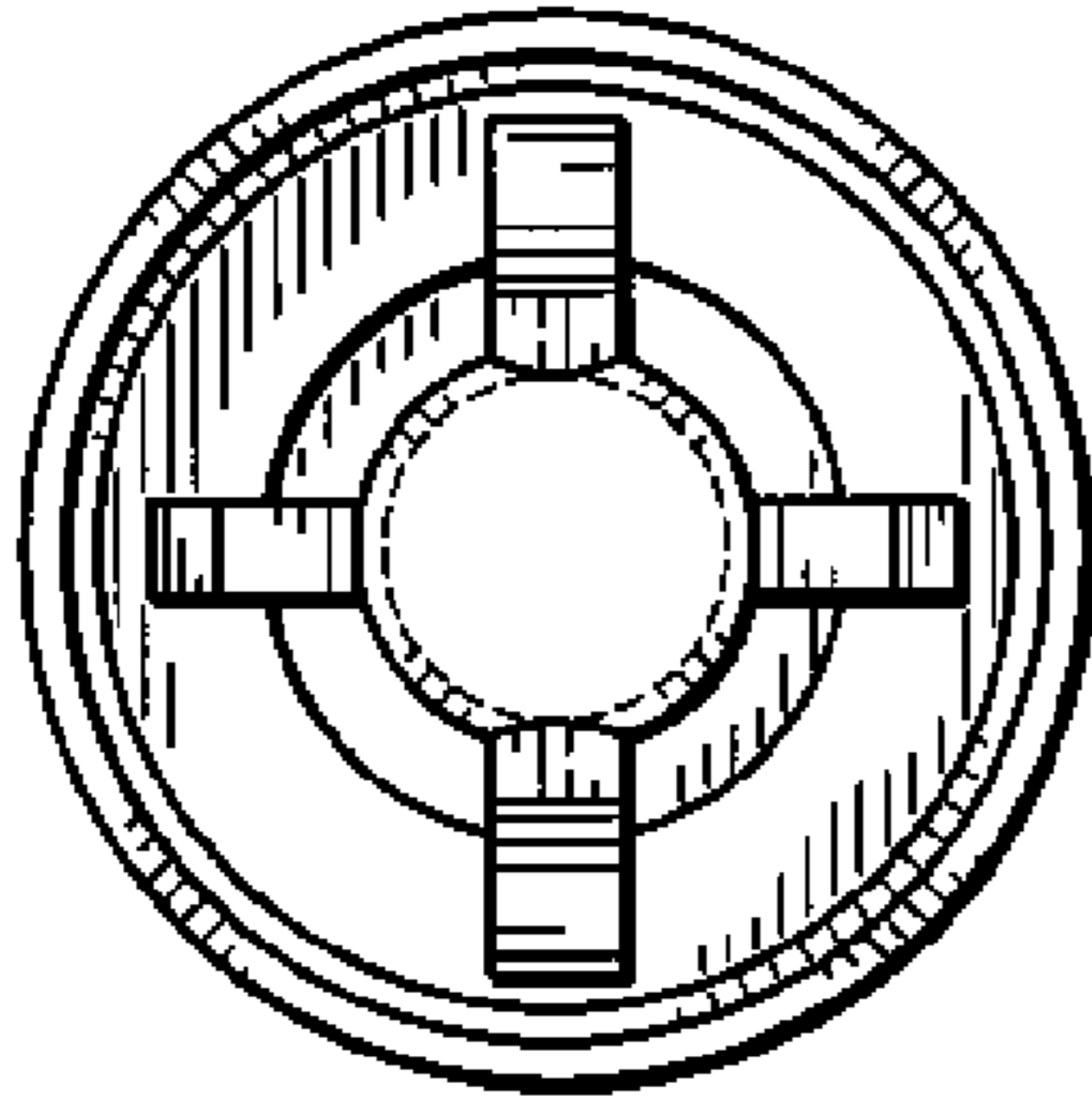
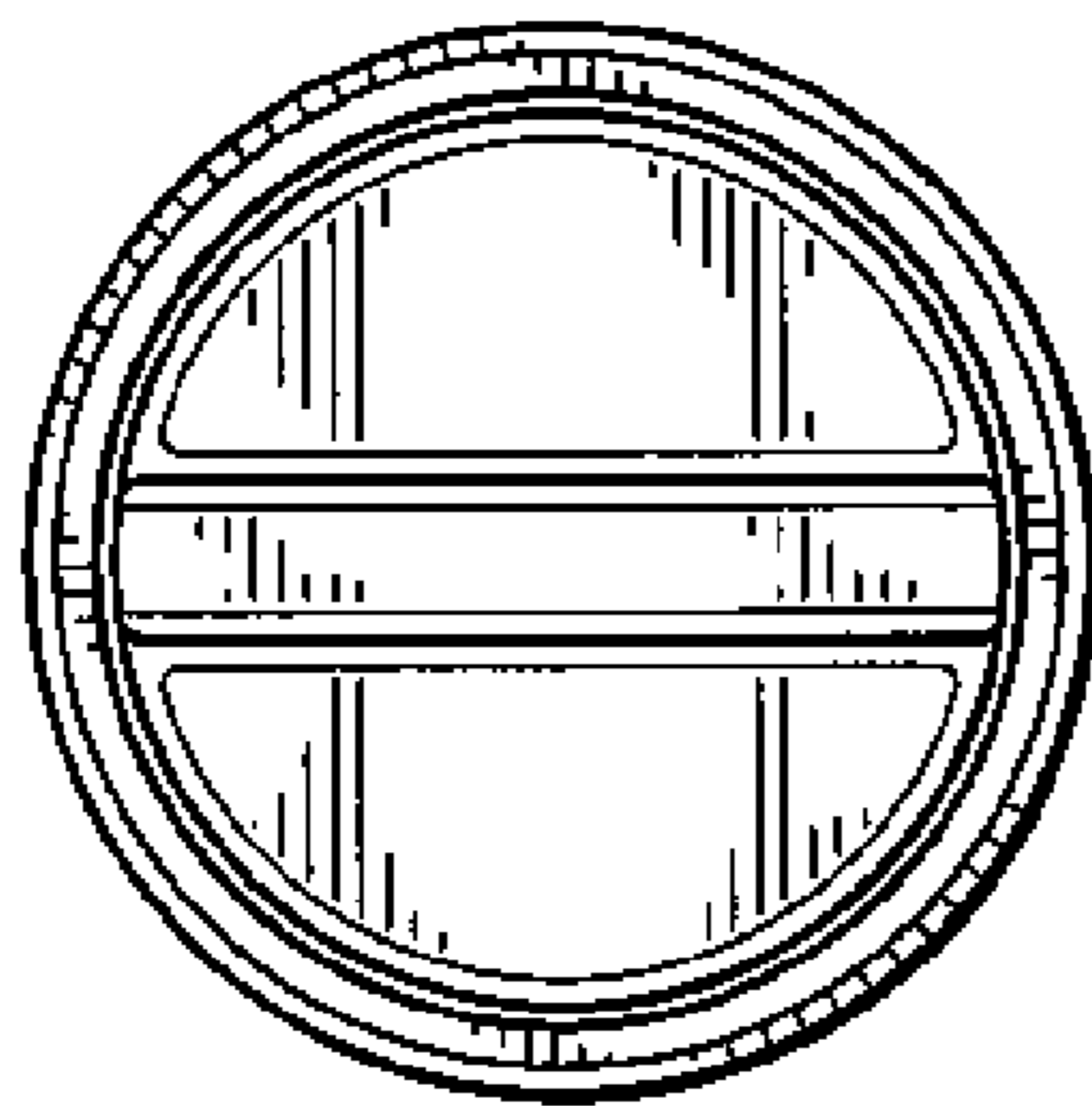


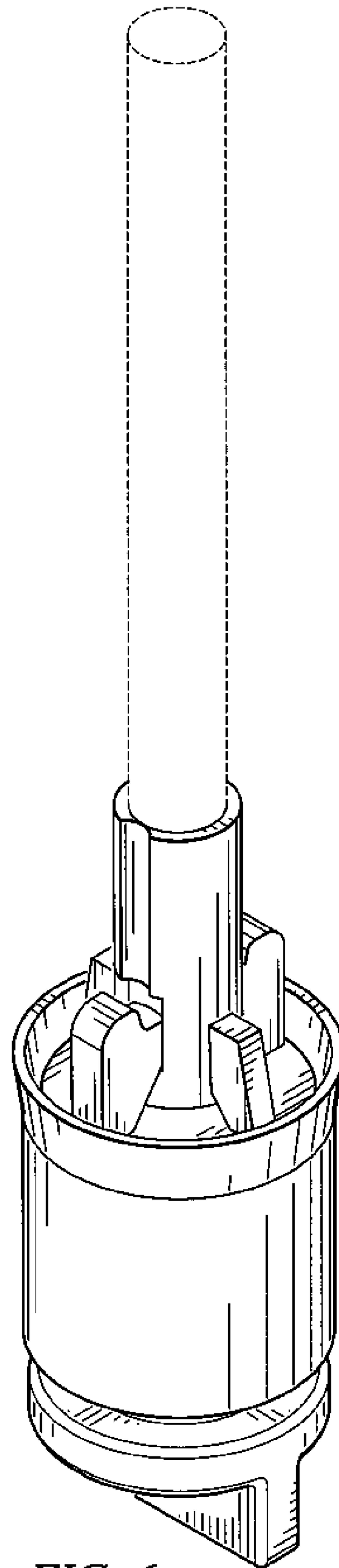
FIG. 3



*FIG. 4*



*FIG. 5*



*FIG. 6*