



US00D603434S

(12) **United States Design Patent**
Yang et al.

(10) **Patent No.:** **US D603,434 S**
(45) **Date of Patent:** **** Nov. 3, 2009**

(54) **CLUTCHING JIG**

(75) Inventors: **Yi Chang Yang**, Tu-Cheng (TW); **Kuo Chuan Chiu**, Tu-Cheng (TW); **Feng Chi Lee**, Tu-Cheng (TW); **Chin Chou Wang**, Tu-Cheng (TW)

(73) Assignee: **Cheng Uei Precision Industry Co., Ltd.**, Taipei Hsien (TW)

(**) Term: **14 Years**

(21) Appl. No.: **29/309,707**

(22) Filed: **Sep. 29, 2008**

(51) **LOC (9) Cl.** **15-09**

(52) **U.S. Cl.** **D15/140**

(58) **Field of Classification Search** D8/70,
D8/71-74; D15/140, 199; 81/487; 83/762;
49/404, 413, 425; 144/144.52, 306, 307;
269/2, 4, 37, 43, 45, 148, 156
See application file for complete search history.

(56) **References Cited**

U.S. PATENT DOCUMENTS

D310,376 S *	9/1990	Johnsen	D15/140
D340,465 S *	10/1993	Guertin	D15/140
D370,019 S *	5/1996	Stewart	D15/140
D395,993 S *	7/1998	Price et al.	D8/72
5,996,443 A *	12/1999	Gold	81/44

D453,286 S *	2/2002	Grady	D8/51
D511,219 S *	11/2005	Cleary	D25/132
D530,177 S *	10/2006	Alverson, Jr.	D8/71
D556,004 S *	11/2007	Coope	D8/74
2006/0101948 A1 *	5/2006	Meitzler et al.	81/44
2006/0214342 A1 *	9/2006	Girard	269/43
2007/0241490 A1 *	10/2007	Myers	269/43

* cited by examiner

Primary Examiner—Sandra Snapp

Assistant Examiner—Patricia Palasik

(74) *Attorney, Agent, or Firm*—Rosenberg, Klein & Lee

(57) **CLAIM**

The ornamental design for a clutching jig, as shown and described.

DESCRIPTION

FIG. 1 is a perspective view of a clutching jig showing our new design;

FIG. 2 is a front elevational view thereof;

FIG. 3 is a rear elevational view thereof;

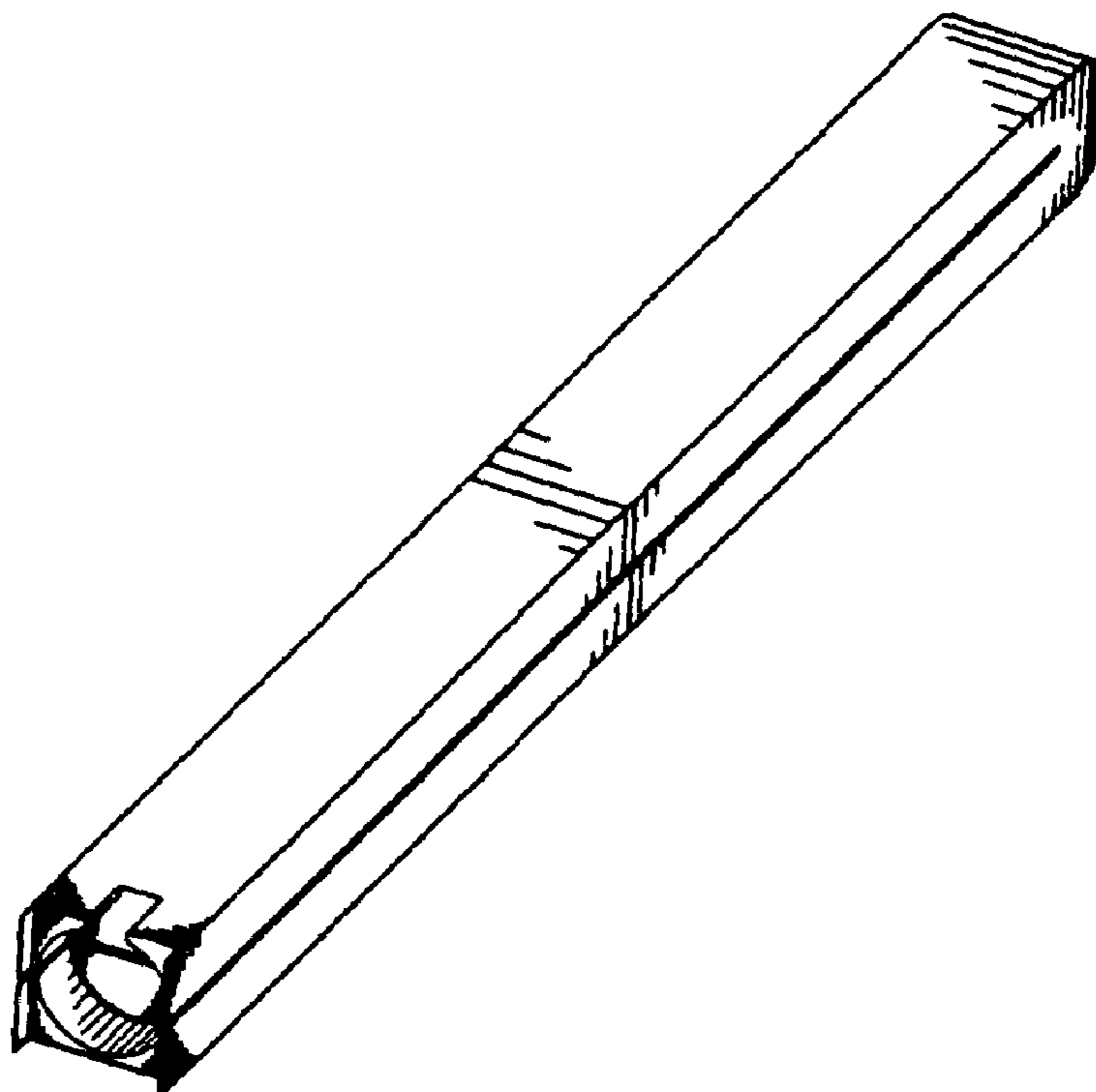
FIG. 4 is a left side elevational view thereof;

FIG. 5 is a right side elevational view thereof;

FIG. 6 is a top plan view thereof; and,

FIG. 7 is a bottom plan view thereof.

1 Claim, 7 Drawing Sheets



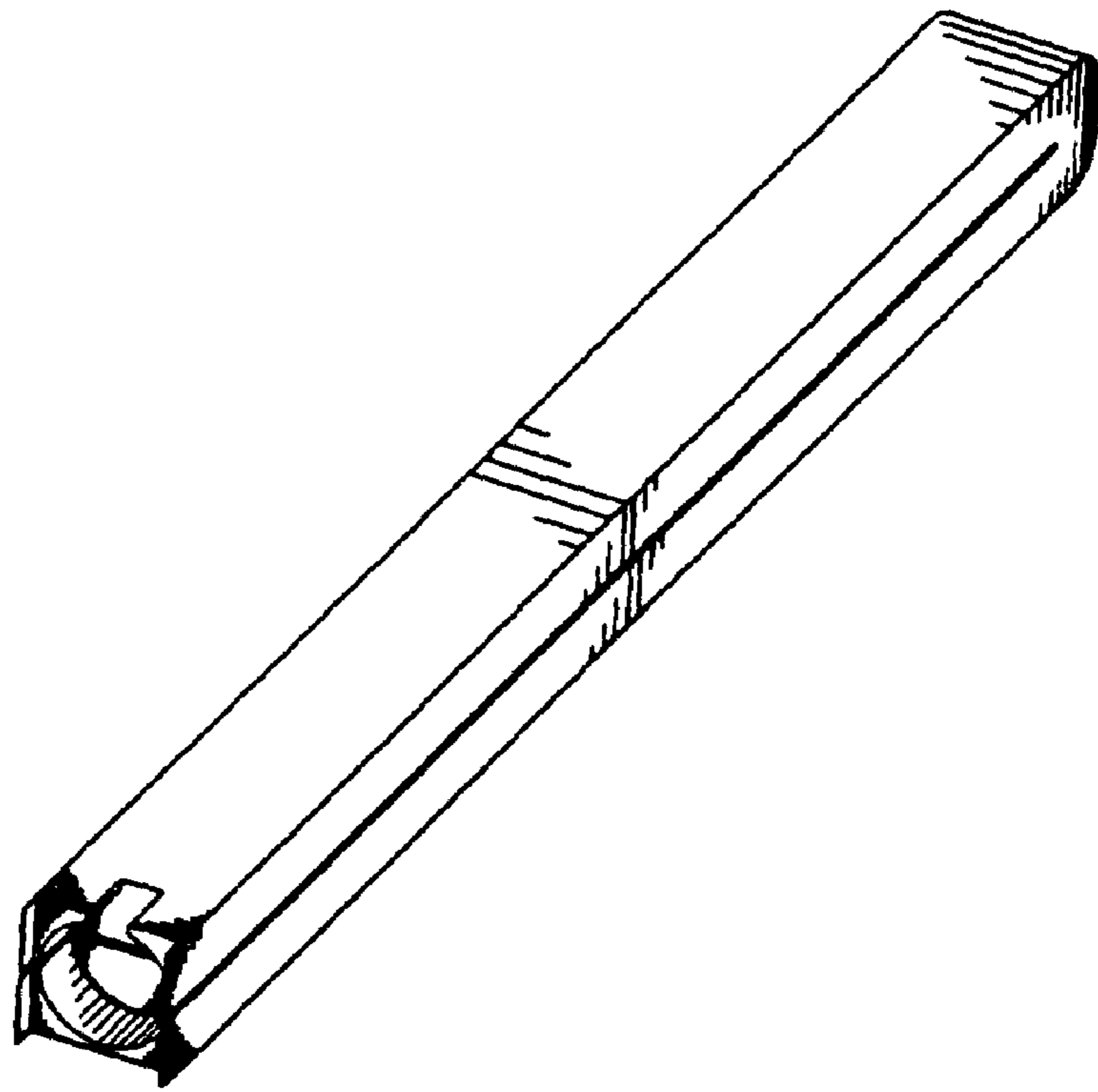


FIG. 1



FIG. 2

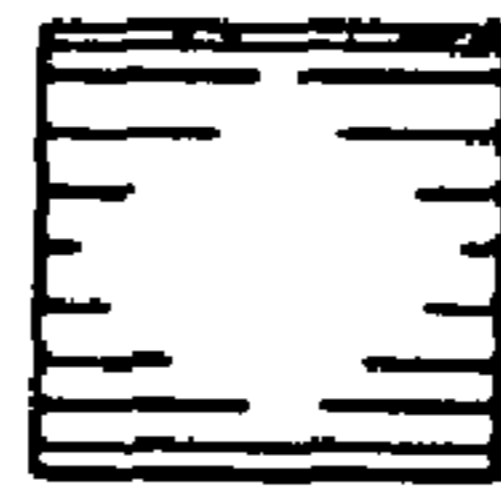


FIG. 3

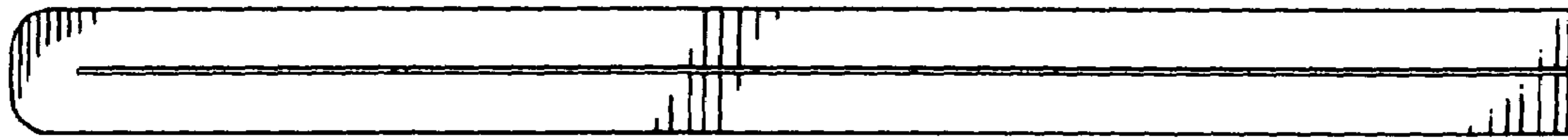


FIG. 4

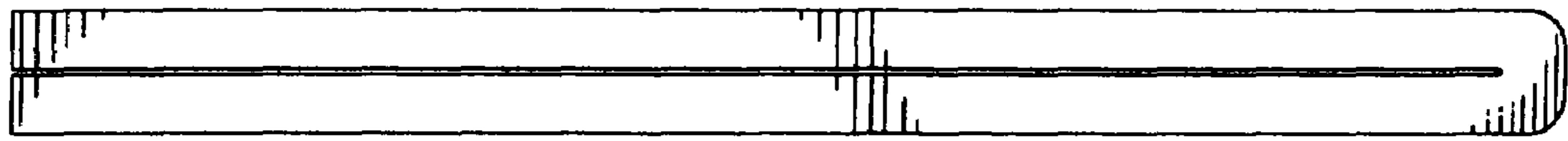


FIG. 5

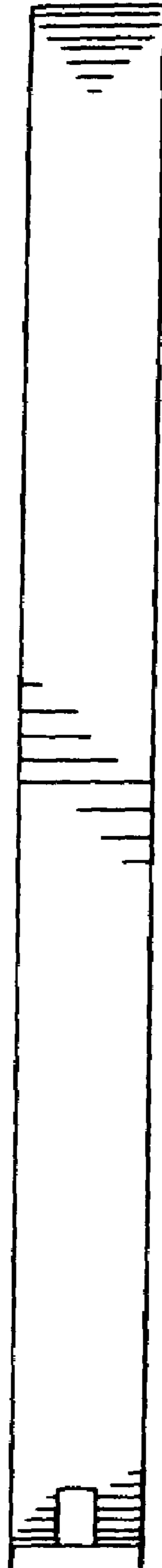


FIG. 6

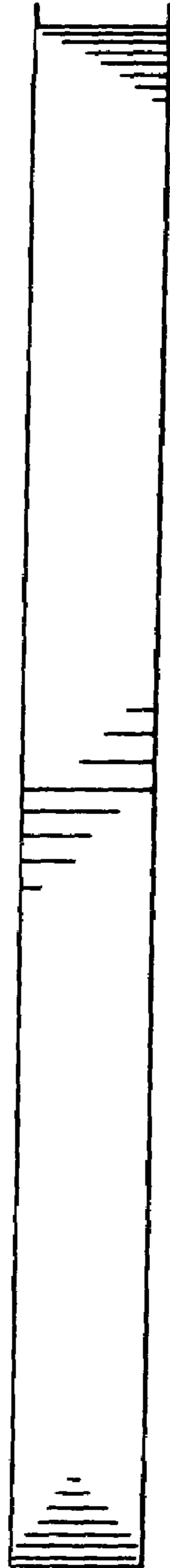


FIG. 7