



US00D603433S

(12) **United States Design Patent**
Zastrozynski

(10) **Patent No.:** **US D603,433 S**

(45) **Date of Patent:** **** Nov. 3, 2009**

(54) **CUTTING INSERT**

(75) Inventor: **Jürgen Zastrozynski**, Düsseldorf (DE)

(73) Assignee: **Kennametal Inc.**, Latrobe, PA (US)

(**) Term: **14 Years**

(21) Appl. No.: **29/294,688**

(22) Filed: **Jan. 23, 2008**

(30) **Foreign Application Priority Data**

Jul. 27, 2007 (EM) 000765284

(51) **LOC (9) Cl.** **15-09**

(52) **U.S. Cl.** **D15/139**

(58) **Field of Classification Search** D15/138,
D15/139, 140; 407/35, 42, 112-119

See application file for complete search history.

(56) **References Cited**

U.S. PATENT DOCUMENTS

- D363,076 S * 10/1995 Hansson et al. D15/139
- D367,866 S * 3/1996 Pantzar et al. D15/139
- D422,608 S * 4/2000 Malaker et al. D15/139
- D485,852 S * 1/2004 Arvidsson D15/139
- D487,281 S * 3/2004 Roman et al. D15/139

- D496,949 S * 10/2004 Waggle et al. D15/139
- D497,923 S * 11/2004 Waggle et al. D15/139
- D555,684 S * 11/2007 Waggle et al. D15/139
- D573,164 S * 7/2008 Nitzsche D15/139
- 2006/0216122 A1 * 9/2006 Engstrom et al. 407/114

* cited by examiner

Primary Examiner—Sandra Snapp

Assistant Examiner—Patricia Palasik

(74) *Attorney, Agent, or Firm*—Larry R. Meenan

(57) **CLAIM**

The ornamental design for a cutting insert, as shown and described.

DESCRIPTION

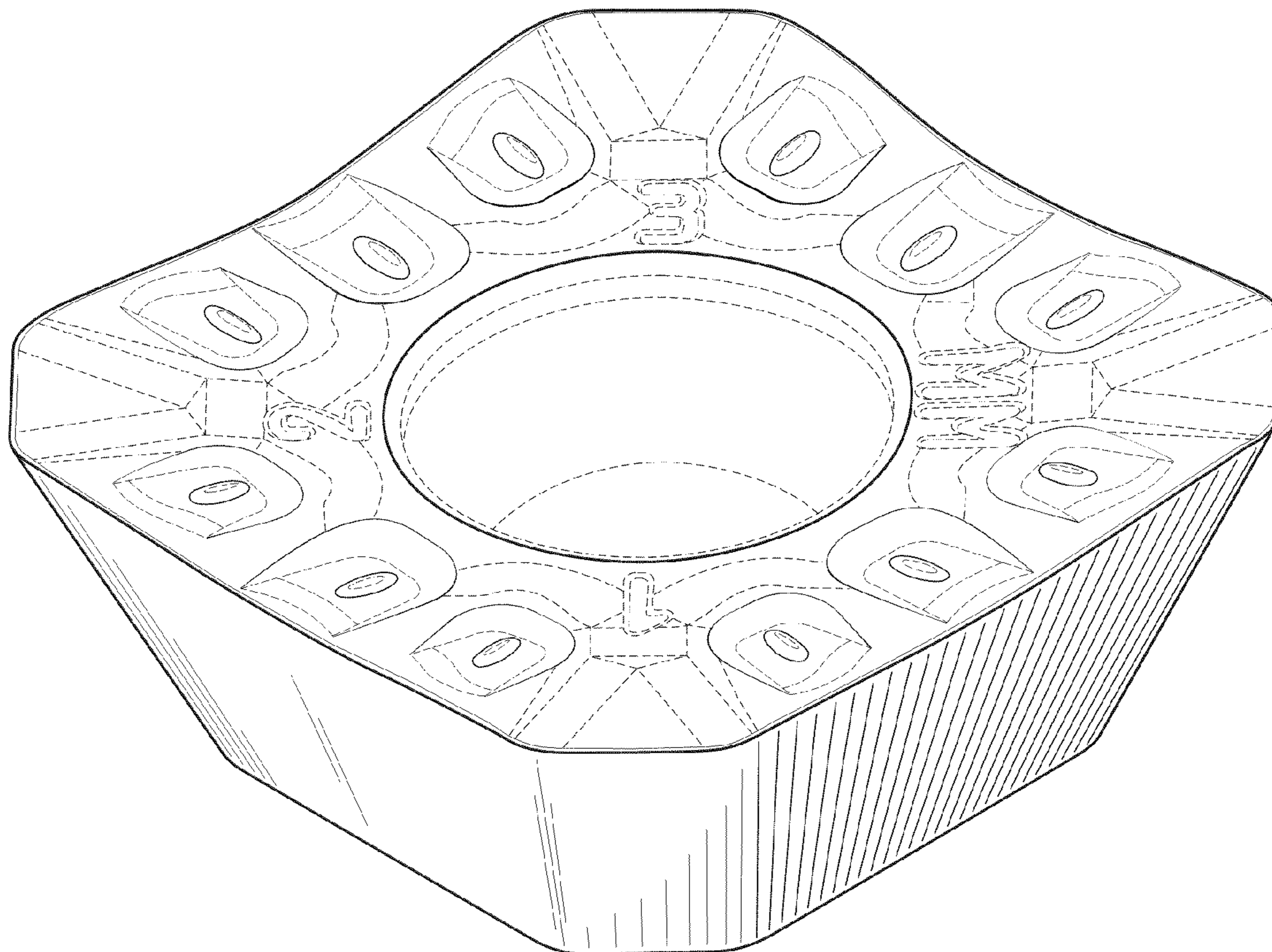
FIG. 1 is a perspective view from above of the cutting insert according to the invention;

FIGS. 2 and 3 are top and bottom views of the cutting insert; and,

FIG. 4 is a side view of the cutting insert, the cutting insert being identical from all sides.

The broken line showings of FIGS. 1-3 are environmental only and not part of the claimed design.

1 Claim, 4 Drawing Sheets



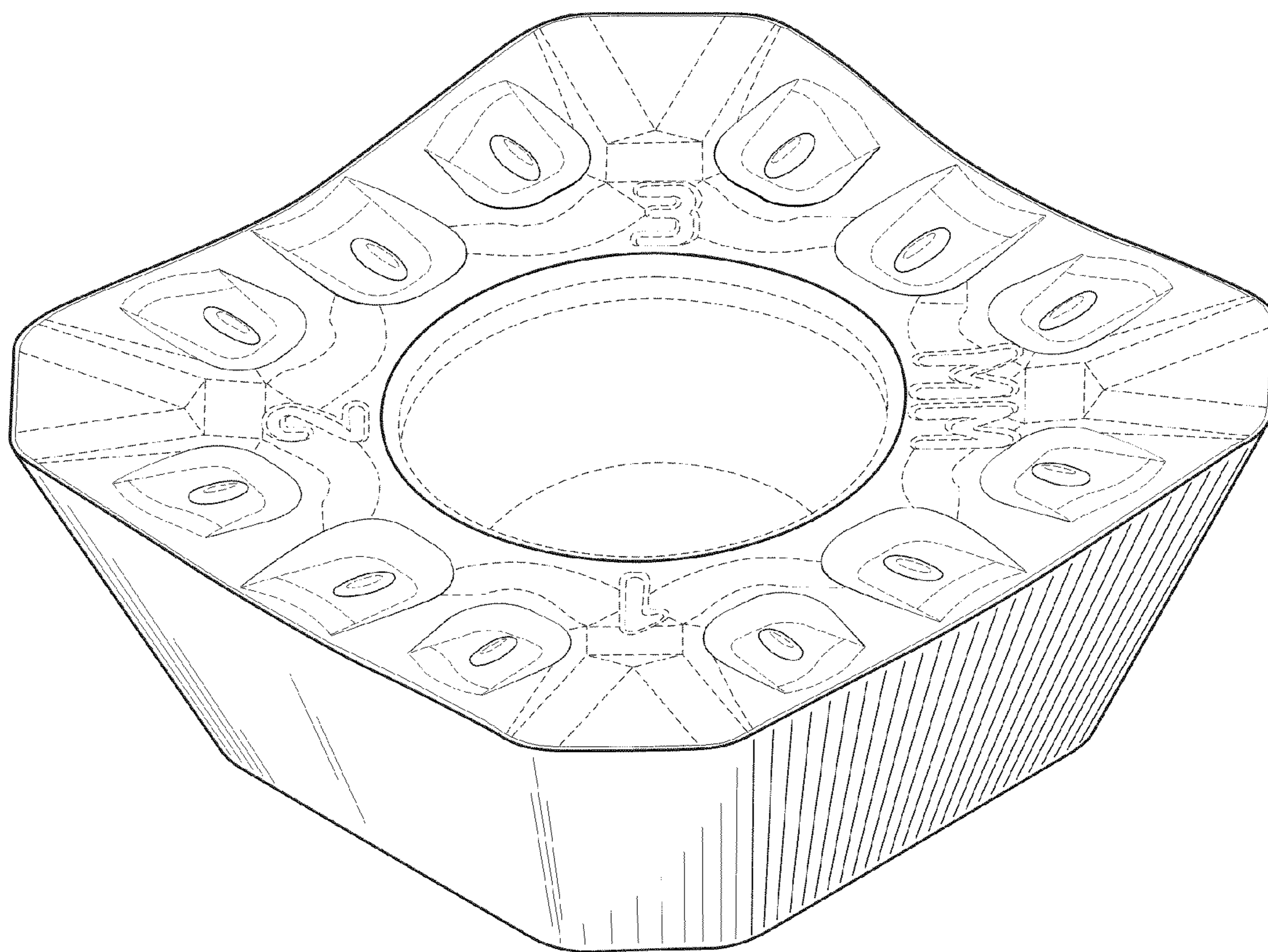


FIG. 1

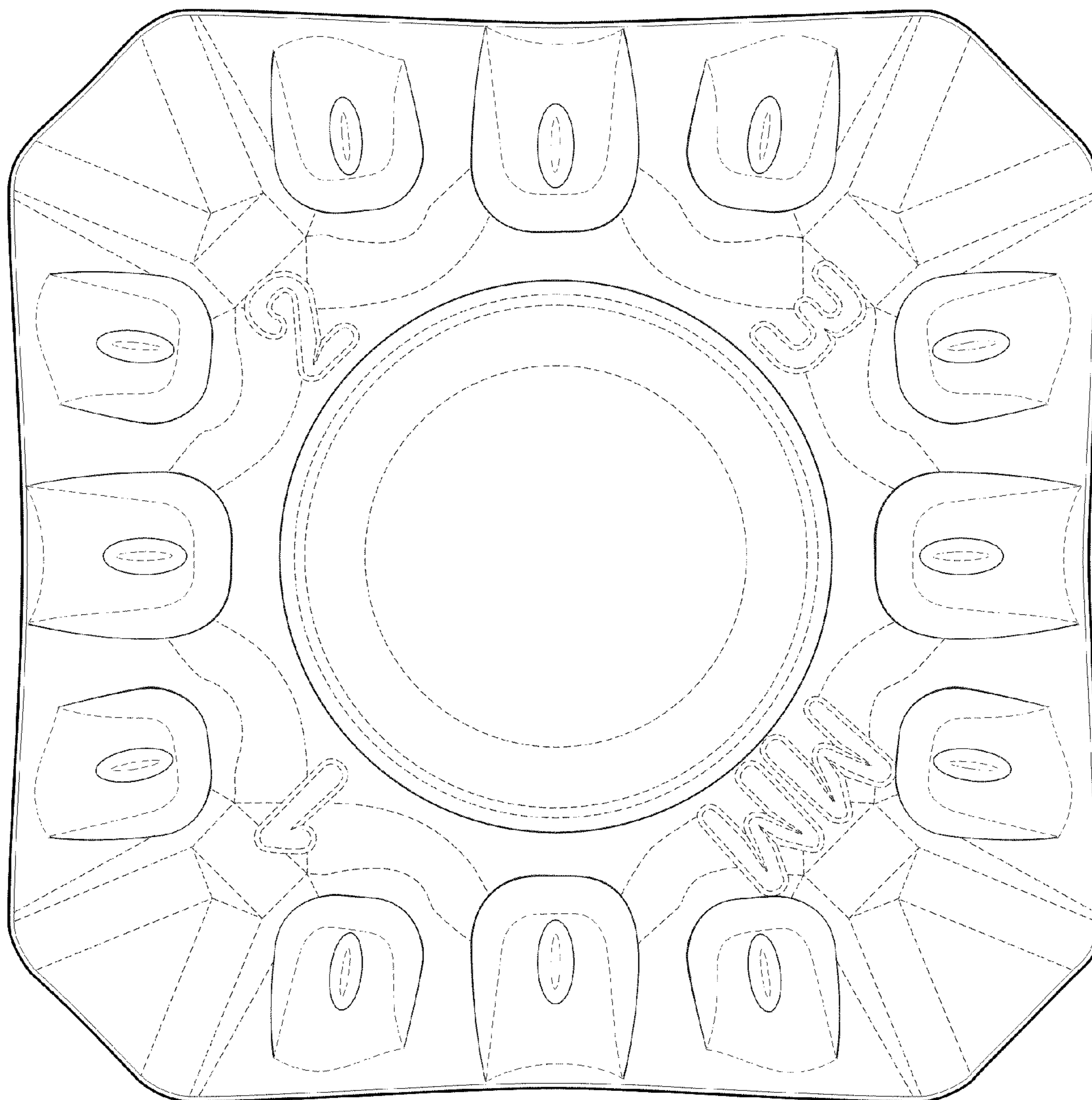


FIG. 2

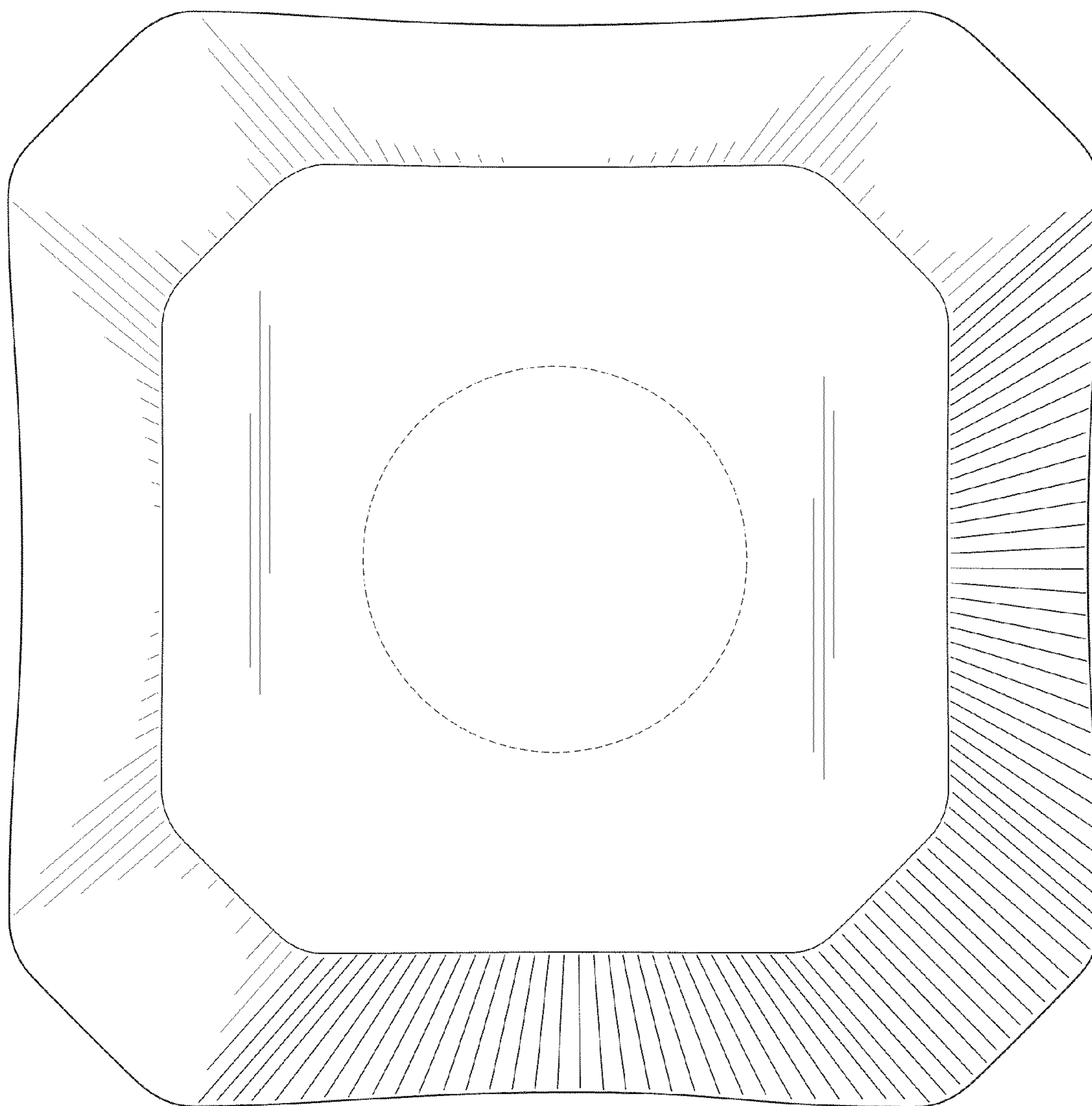


FIG. 3

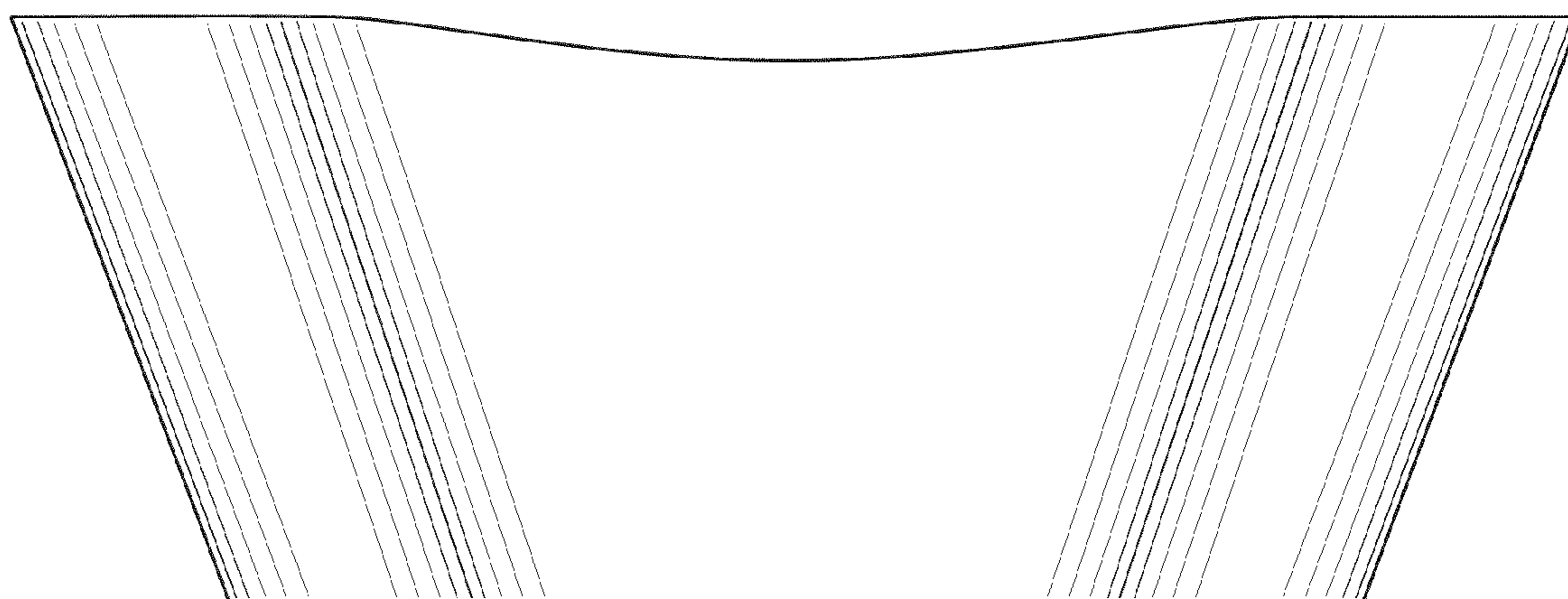


FIG. 4