



US00D603432S

(12) **United States Design Patent**
Wilson et al.

(10) **Patent No.:** **US D603,432 S**

(45) **Date of Patent:** **** Nov. 3, 2009**

(54) **ICE SKATE HOLDER**

(75) Inventors: **Murray David Wilson**, Harrow (CA);
Omer Leon Hageniers, Windsor (CA)

(73) Assignee: **1339513 Ontario Ltd.**, Harrow, Ontario
(CA)

(**) Term: **14 Years**

(21) Appl. No.: **29/317,605**

(22) Filed: **May 2, 2008**

(51) **LOC (9) Cl.** **15-09**

(52) **U.S. Cl.** **D15/125**

(58) **Field of Classification Search** D15/124-125;
451/541, 224, 383, 234, 231, 443
See application file for complete search history.

(56) **References Cited**

U.S. PATENT DOCUMENTS

4,055,026	A	10/1977	Zwicker
4,271,635	A	6/1981	Szalay
4,294,043	A	10/1981	Sakcriska
4,411,250	A	10/1983	Lach
4,535,571	A	8/1985	Smith
4,805,586	A	2/1989	Borse
5,431,597	A	7/1995	Anderson
5,445,050	A	8/1995	Owens
5,499,556	A	3/1996	Exner et al.
5,547,416	A	8/1996	Timms
5,591,069	A	1/1997	Wurthman
5,704,829	A	1/1998	Long
6,030,283	A	2/2000	Anderson

6,116,989	A	9/2000	Balastik	
6,286,498	B1	9/2001	Sung	
6,308,700	B1	10/2001	Lierse	
6,368,198	B1	4/2002	Sung et al.	
6,422,934	B1	7/2002	Blach et al.	
6,443,819	B2	9/2002	Sakcriska	
6,481,113	B1	11/2002	Brenner	
6,953,390	B2	10/2005	Sakurai et al.	
7,559,828	B2 *	7/2009	Liao	451/178
2002/0014041	A1	2/2002	Baldoni et al.	
2003/0106270	A1	6/2003	Baldoni et al.	
2004/0157537	A1 *	8/2004	Tatum et al.	451/45
2005/0276979	A1	12/2005	Slutz et al.	
2006/0040584	A1 *	2/2006	Ray et al.	451/5

* cited by examiner

Primary Examiner—Antoine D Davis

(74) *Attorney, Agent, or Firm*—Robert K. Roth; Miller,
Canfield, Paddock and Stone, PLC

(57) **CLAIM**

The ornamental design for an ice skate holder, as shown.

DESCRIPTION

FIG. 1 is a perspective view of an ice skate holder.

FIG. 2 is a front side view of the ice skate holder of FIG. 1.

FIG. 3 is a rear side view of the ice skate holder of FIG. 1.

FIG. 4 is a top side view of the ice skate holder of FIG. 1.

FIG. 5 is a bottom side view of the ice skate holder of FIG. 1.

FIG. 6 is a left side view of the ice skate holder of FIG. 1; and,

FIG. 7 is a right side view of the ice skate holder of FIG. 1.

1 Claim, 7 Drawing Sheets

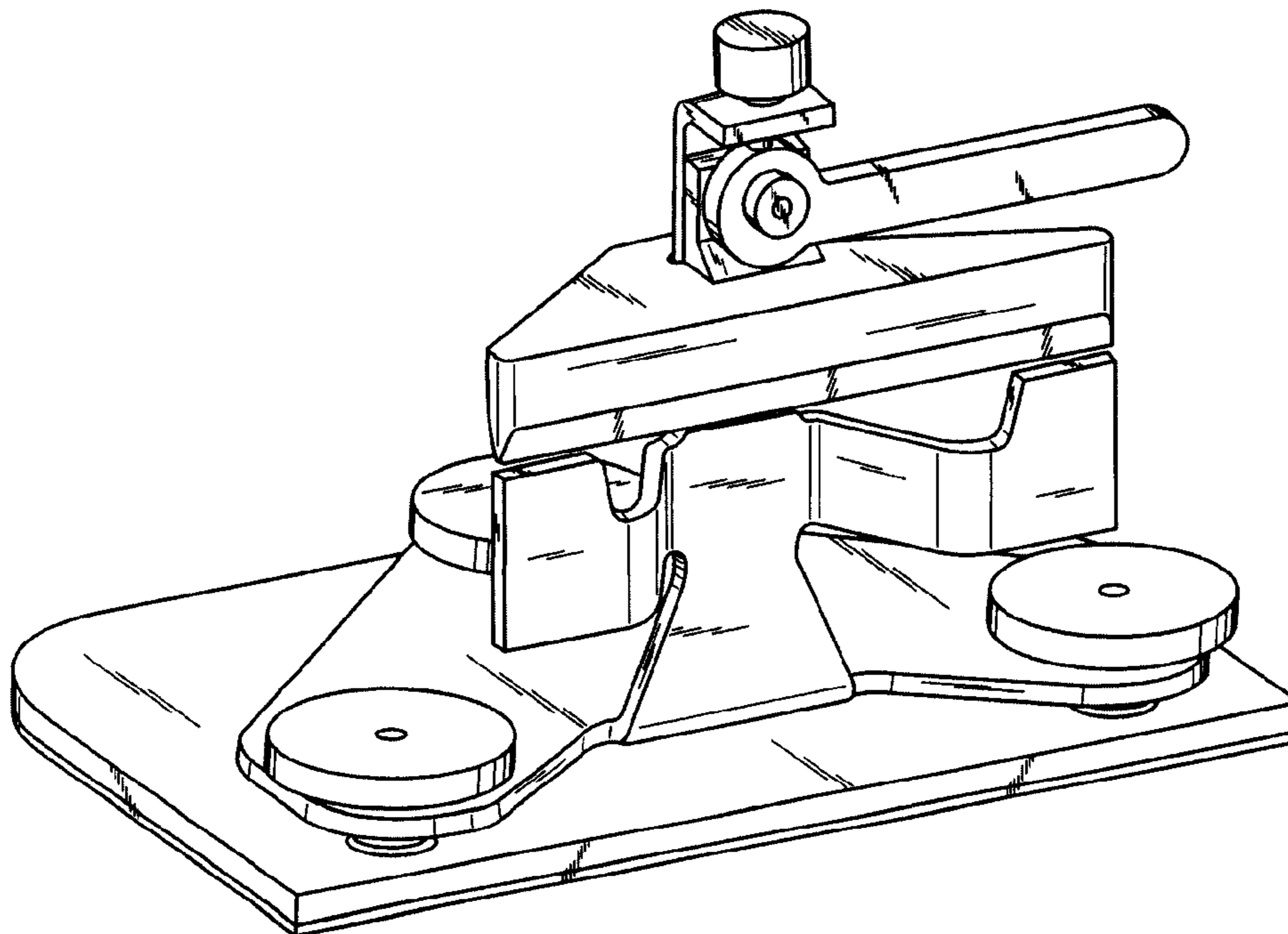


FIG. 1

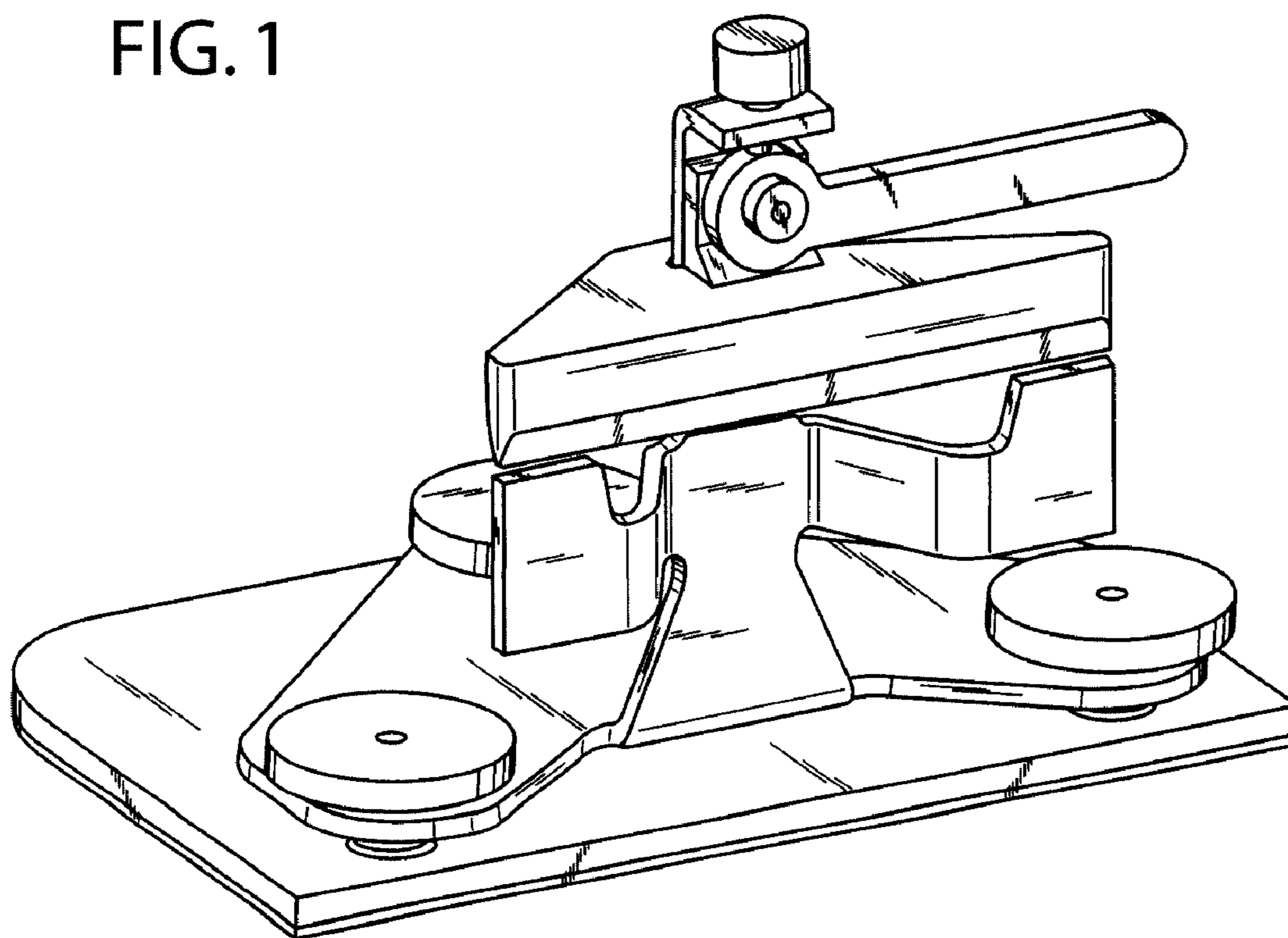


FIG. 2

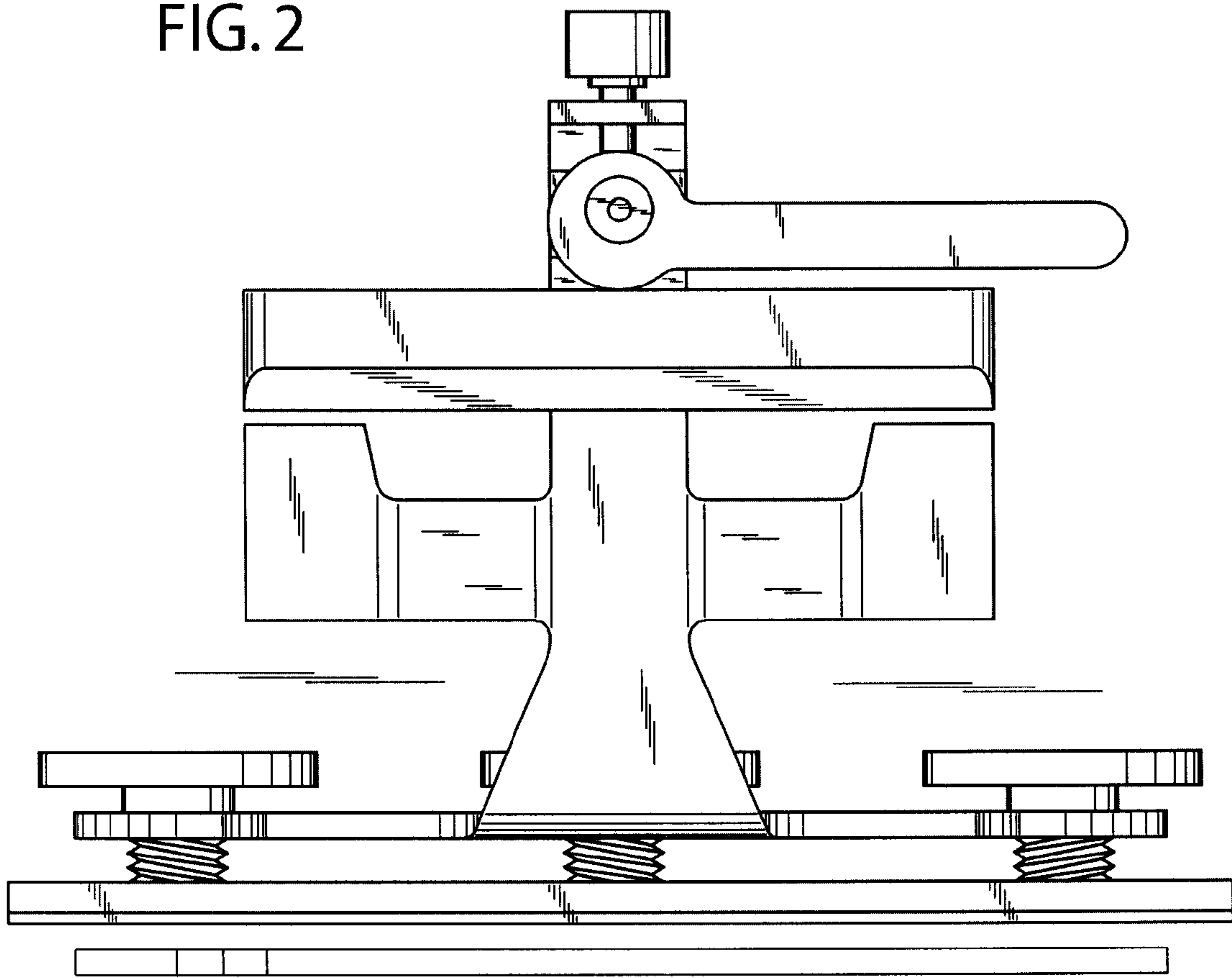


FIG. 3

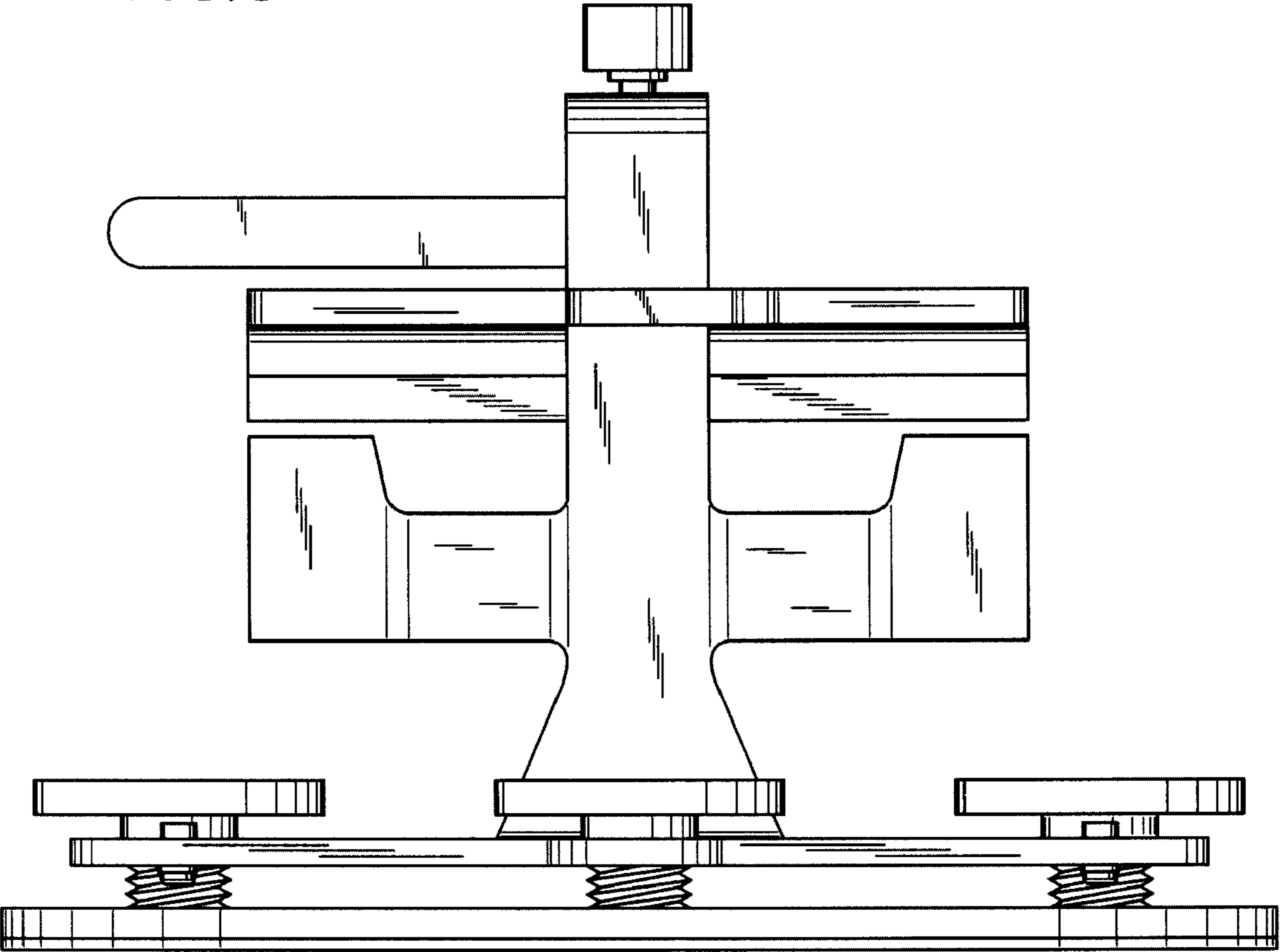
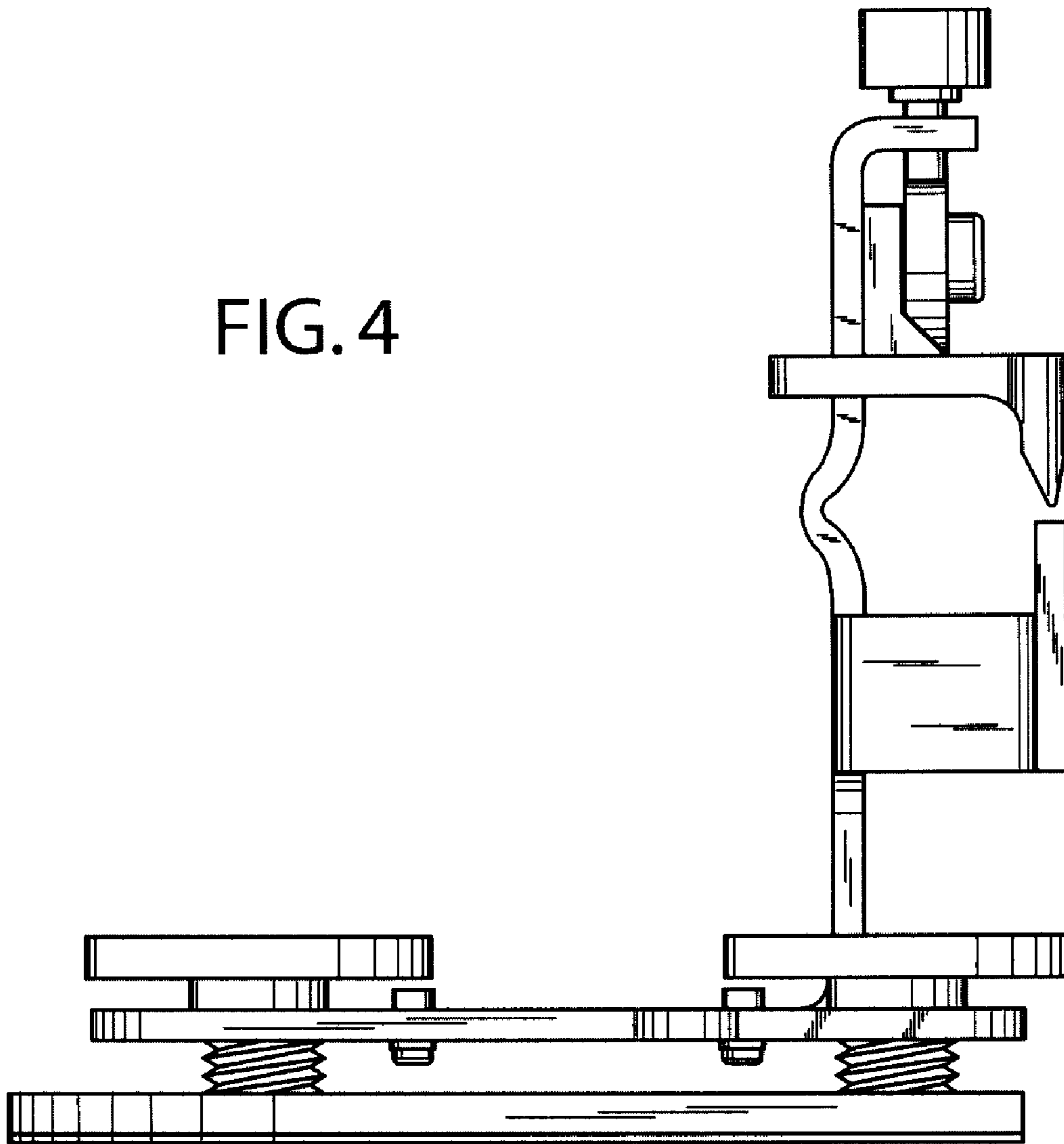


FIG. 4



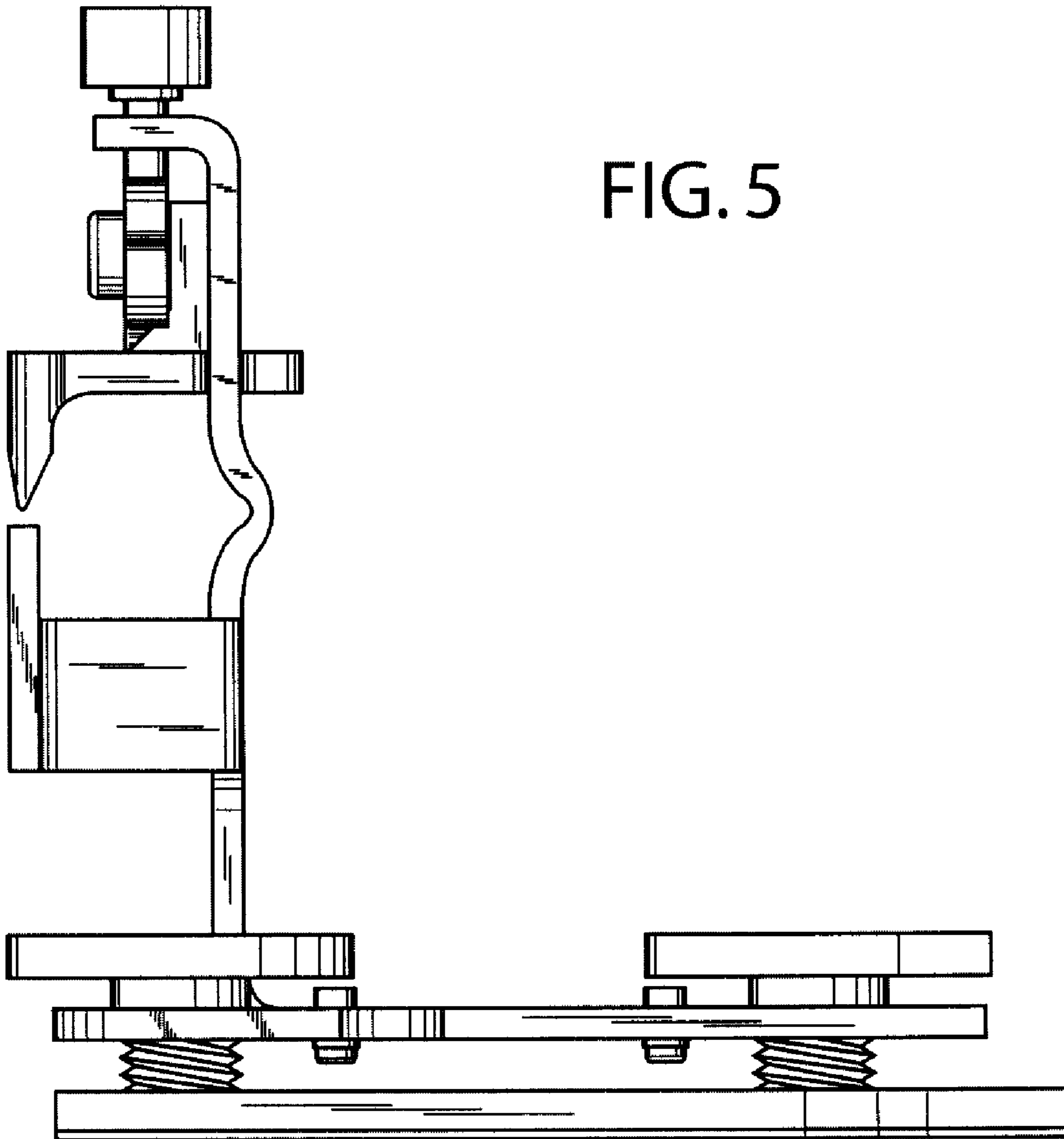


FIG. 6

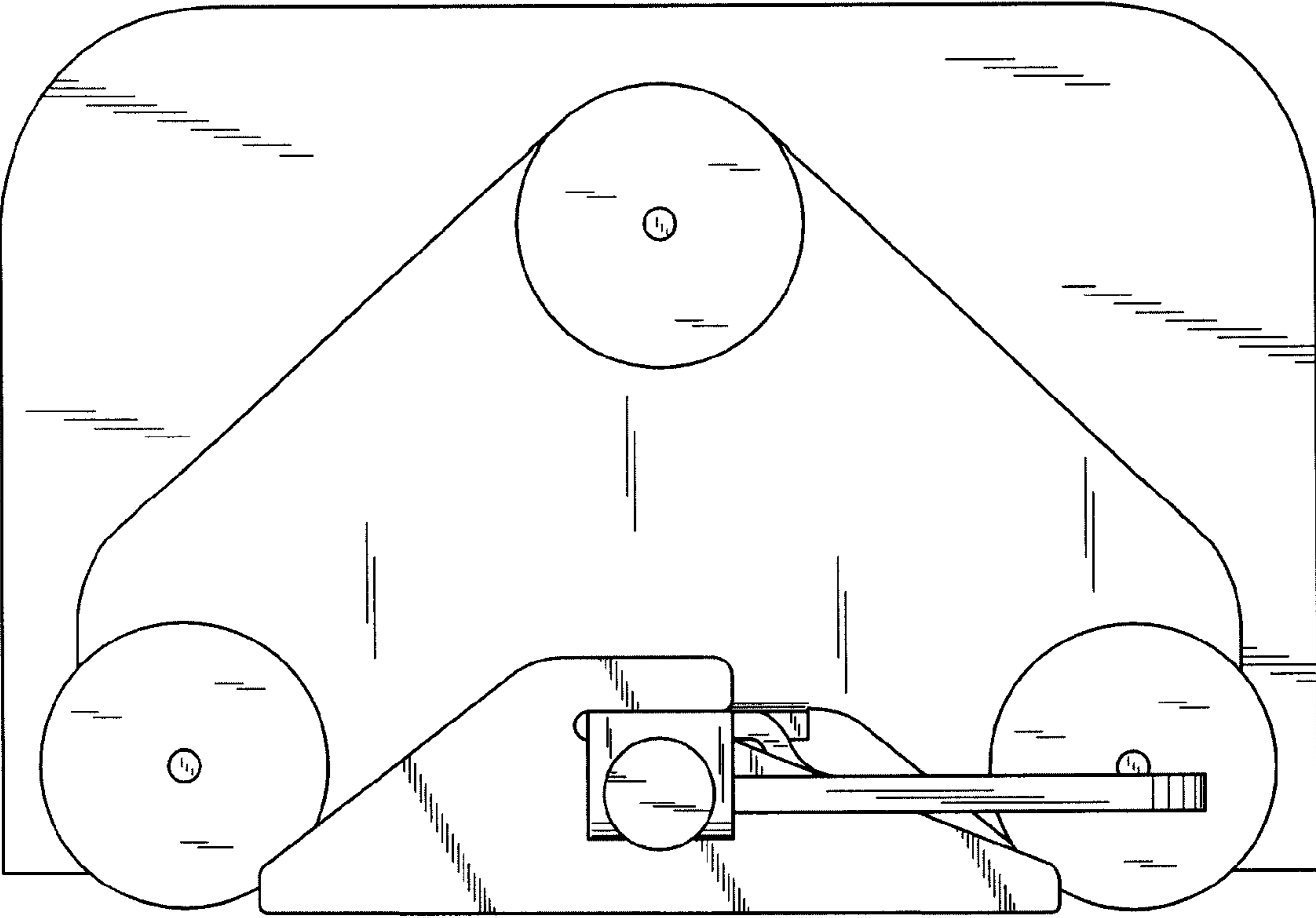


FIG. 7

