



US00D603427S

(12) **United States Design Patent**  
**Walton et al.**

(10) **Patent No.:** **US D603,427 S**  
(45) **Date of Patent:** **\*\* Nov. 3, 2009**

(54) **ON-OFF PLUNGER**

(75) Inventors: **Frank A. Walton**, Ft. Worth, TX (US);  
**Jay A. Rasmussen**, Richardson, TX  
(US)

(73) Assignee: **Dosmatic USA, Inc.**, Carrollton, TX  
(US)

(\*\*) Term: **14 Years**

(21) Appl. No.: **29/324,558**

(22) Filed: **Sep. 15, 2008**

(51) **LOC (9) Cl.** ..... **15-02**

(52) **U.S. Cl.** ..... **D15/9**

(58) **Field of Classification Search** ..... D15/7-9;  
D23/231, 232, 225; 417/410.1, 359, 415-416,  
417/234, 321, 265, 405

See application file for complete search history.

(56) **References Cited**

**U.S. PATENT DOCUMENTS**

D180,685 S *	7/1957	Edelmann	.....	D10/83
3,228,560 A	1/1966	Tacchi		
3,610,264 A	10/1971	Flagg		
3,963,038 A	6/1976	Jensen		
4,030,495 A	6/1977	Virag		
4,084,606 A	4/1978	Mittleman		
4,199,083 A	4/1980	LoMaglio		
D270,718 S *	9/1983	Cain	.....	D10/94
4,558,715 A	12/1985	Walton et al.		
4,729,401 A	3/1988	Raines		
4,809,731 A	3/1989	Walton et al.		
5,137,435 A	8/1992	Walton		
5,513,963 A	5/1996	Walton		
5,683,232 A	11/1997	Adahan		
5,951,265 A	9/1999	Bryant		

6,453,940 B1	9/2002	Tipton et al.		
6,684,753 B1	2/2004	Urrutia		
6,910,405 B2	6/2005	Walton et al.		
D529,515 S *	10/2006	DeGroot et al.	.....	D15/7
D541,814 S *	5/2007	Lacey	.....	D15/7

**FOREIGN PATENT DOCUMENTS**

WO WO 2005008060 A2 1/2005

\* cited by examiner

*Primary Examiner*—R. Seifert

(74) *Attorney, Agent, or Firm*—Colin P. Cahoon; Bobby W. Braxton; Carstens & Cahoon, LLP

(57) **CLAIM**

The ornamental design for an on-off plunger, as shown and described.

**DESCRIPTION**

FIG. 1 is a perspective view of the plunger shown in one environment;

FIG. 2 is a perspective view of the plunger:

FIG. 3 is a front elevation view of the plunger, with the rear elevation view being identical to the front elevation view:

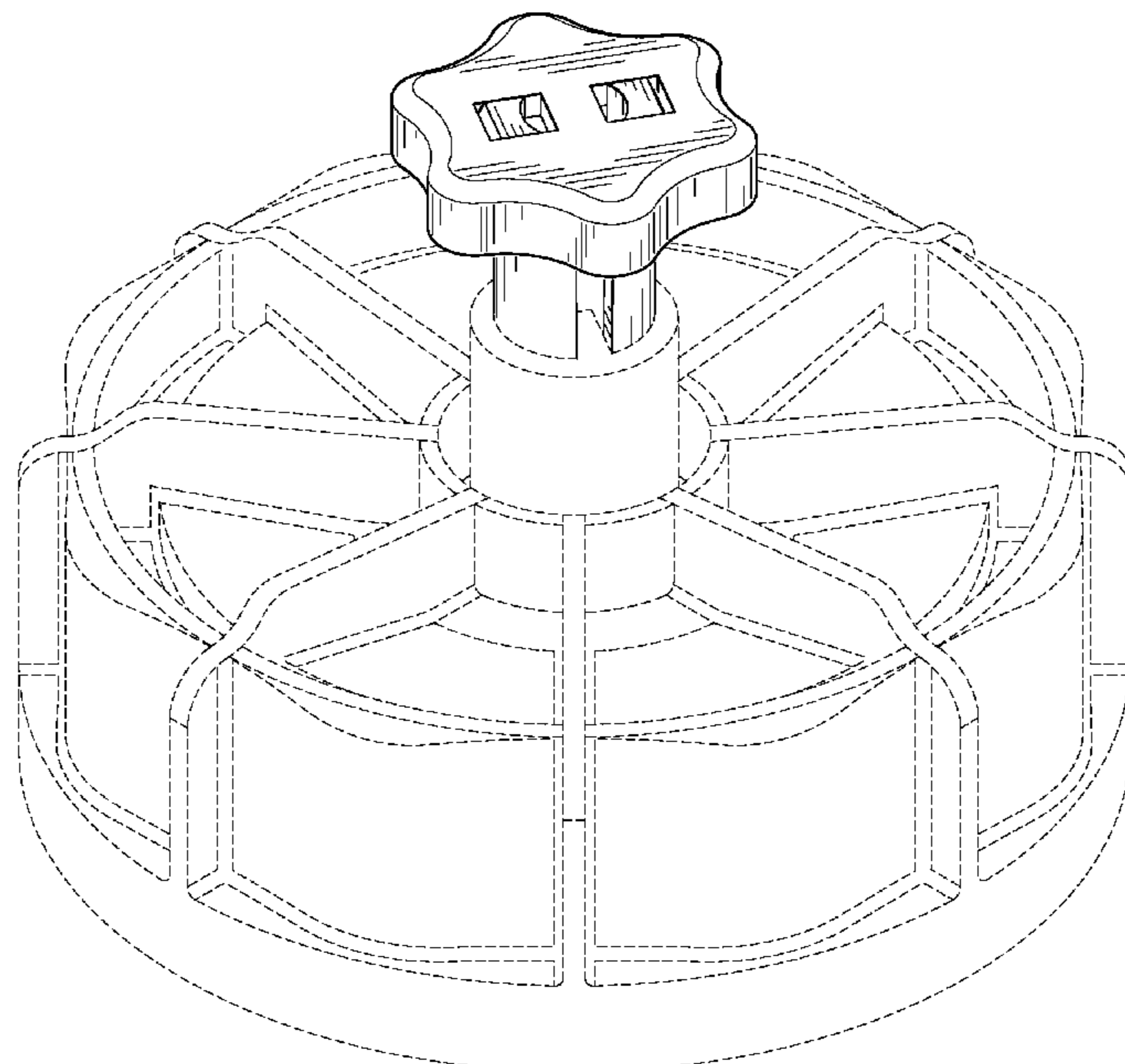
FIG. 4 is a left elevation view of the plunger, with the right elevation view being identical to the left elevation view;

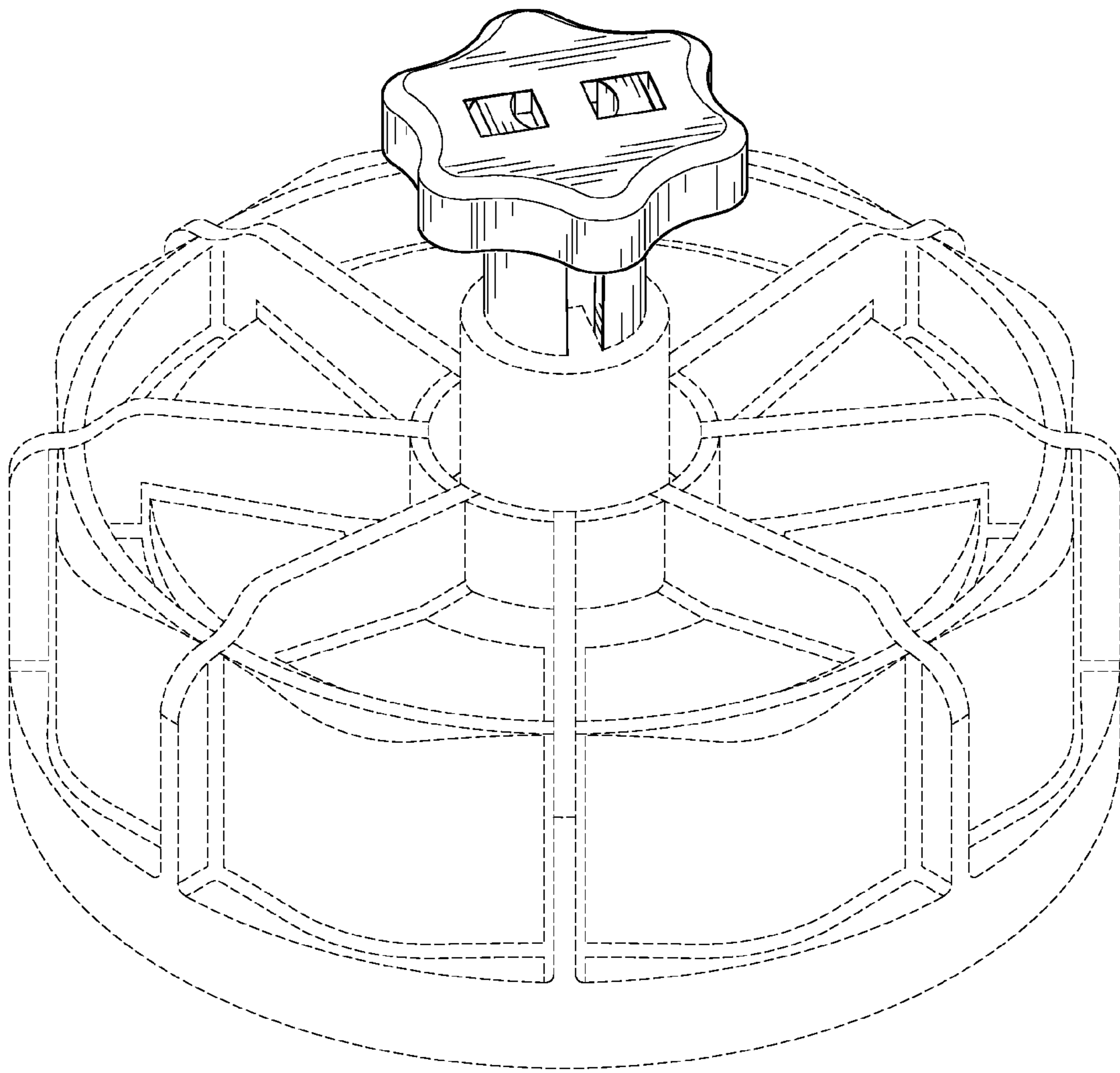
FIG. 5 is a top plan view of the plunger; and,

FIG. 6 is a bottom plan view of the plunger.

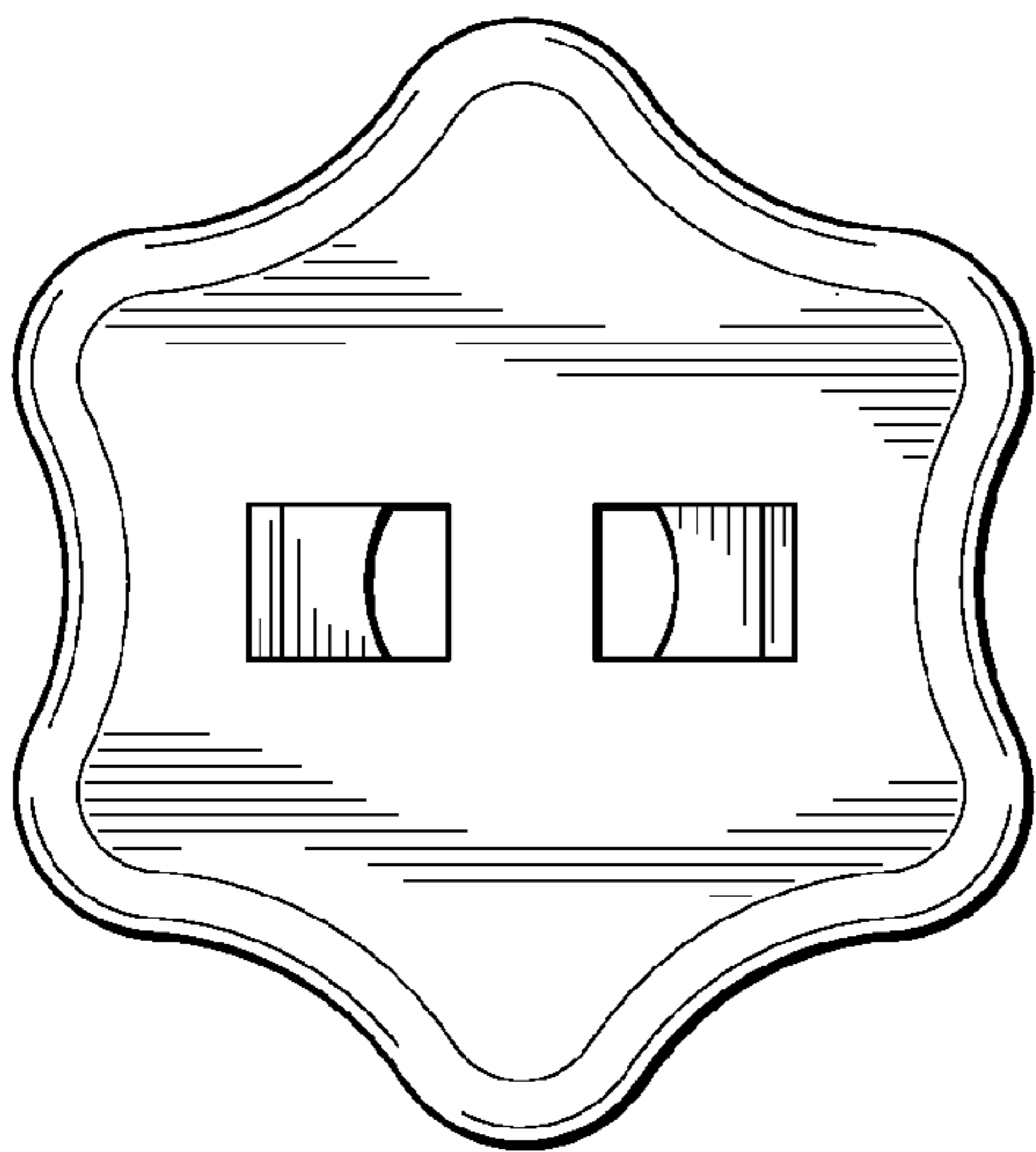
The broken line showing an O-ring seat in FIGS. 2, 3, and 4 is for illustrative purposes only and forms no part of the claimed design. Likewise, the broken line showing a pump housing in FIG. 1 is for illustrative purposes only and forms no part of the claimed design.

**1 Claim, 2 Drawing Sheets**

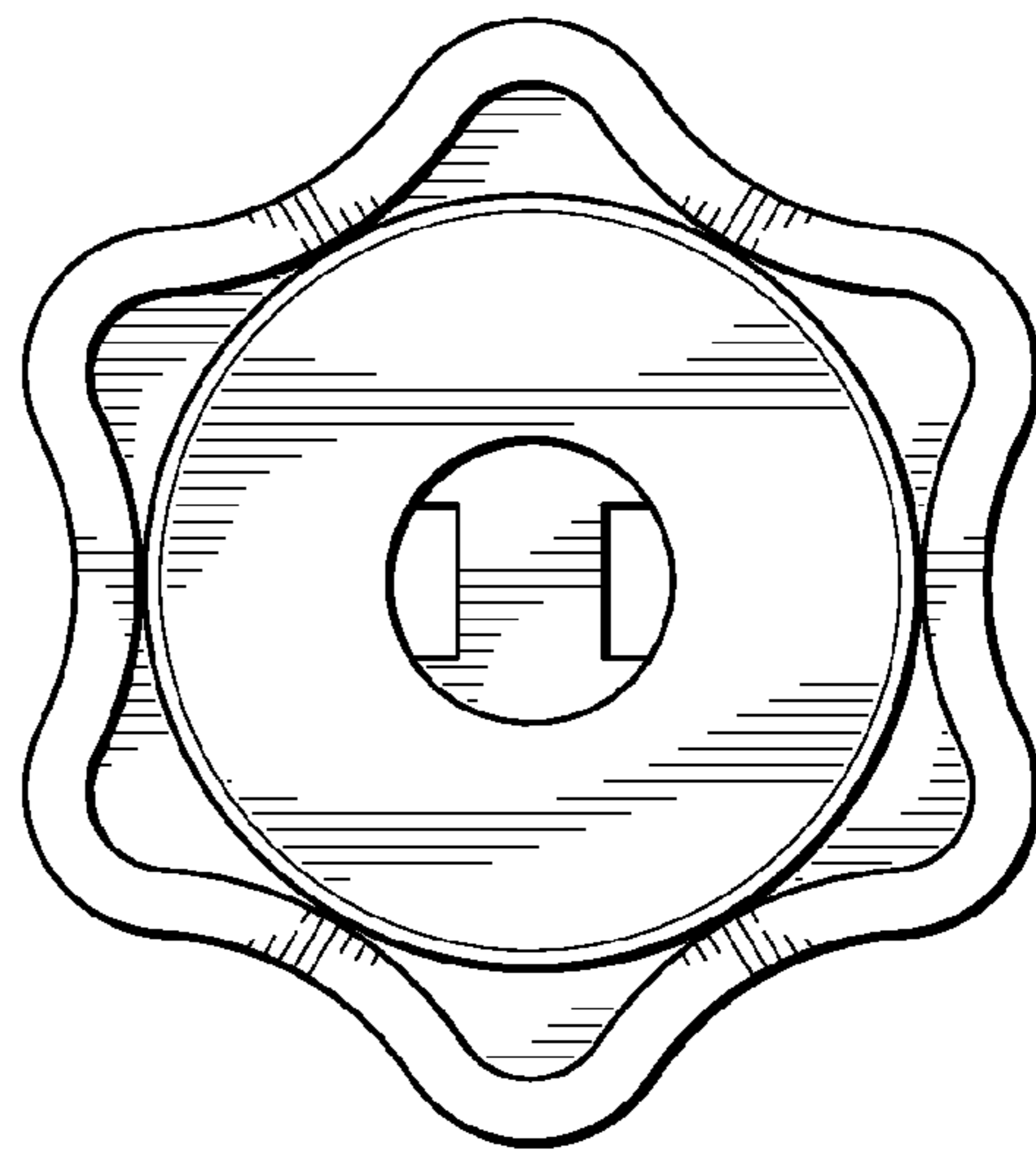




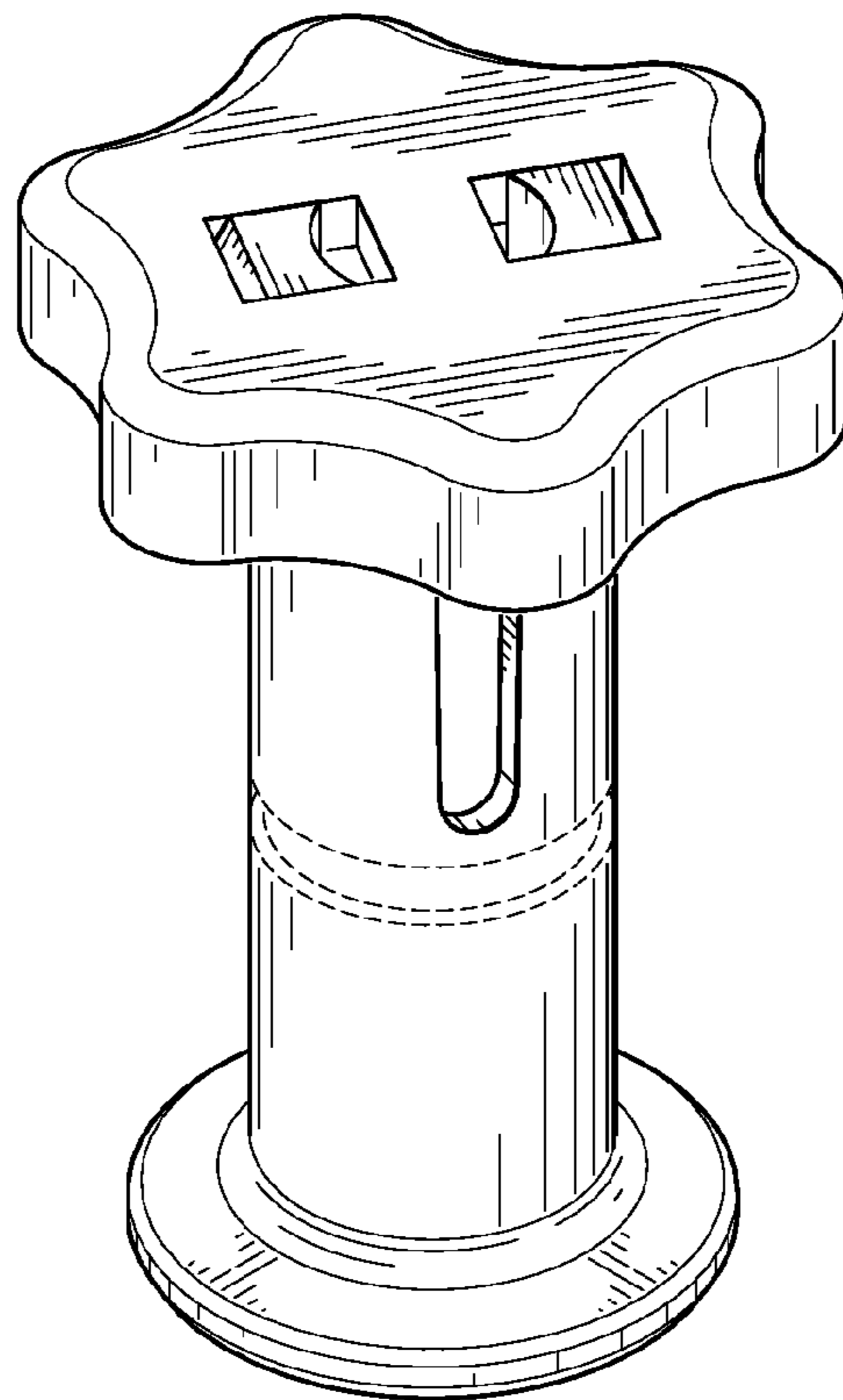
*FIG. 1*



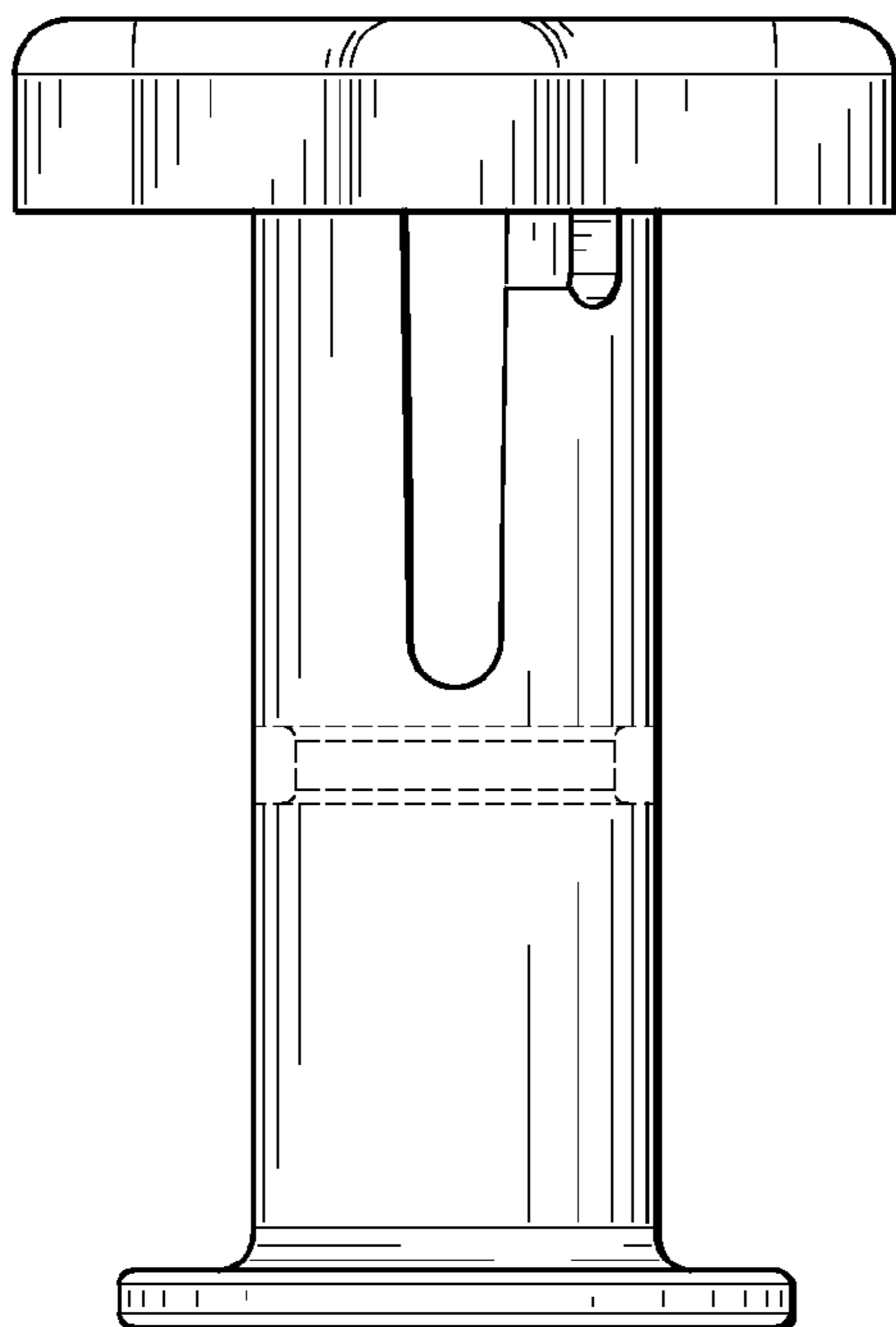
*FIG. 5*



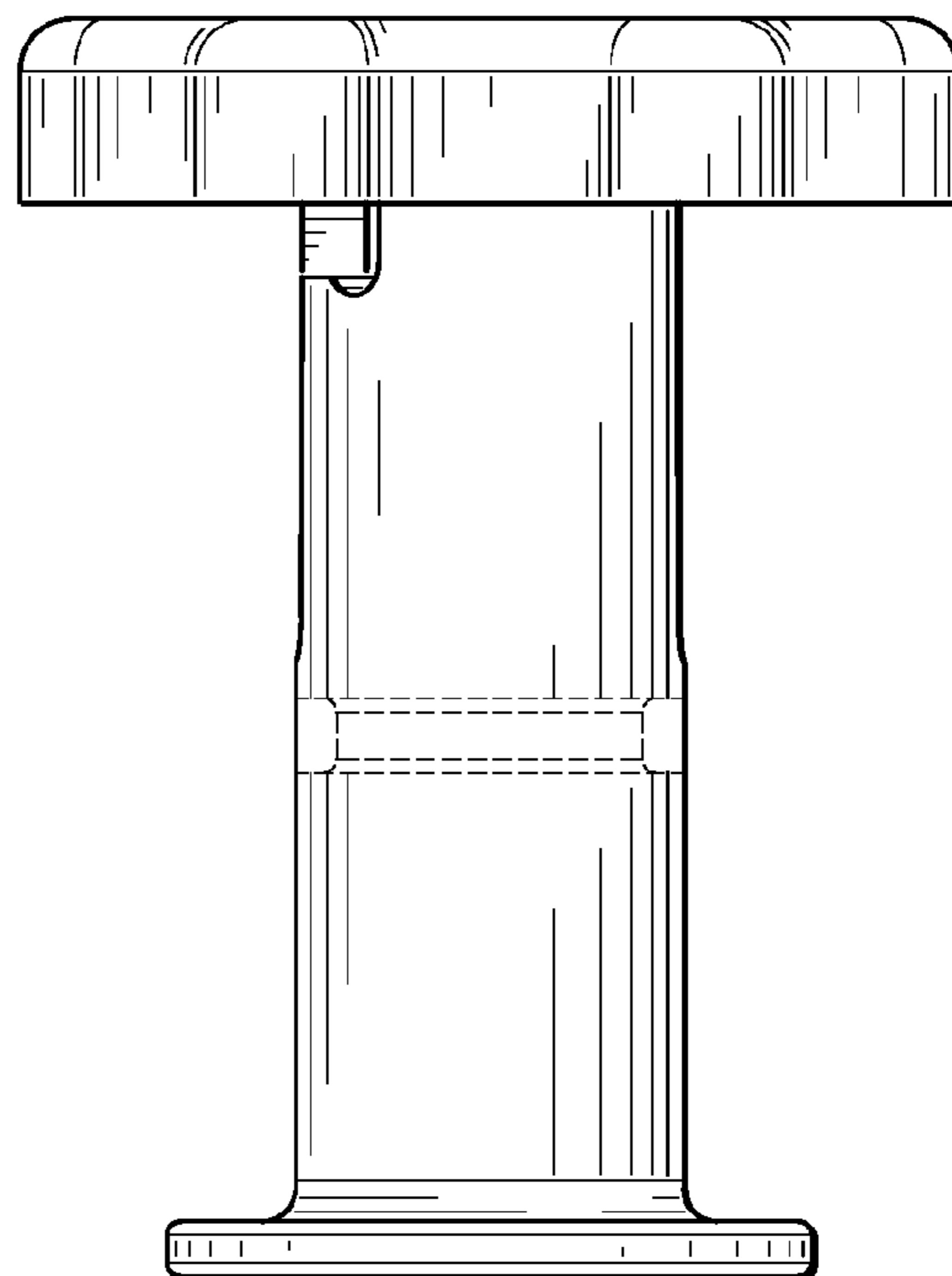
*FIG. 6*



*FIG. 2*



*FIG. 3*



*FIG. 4*