



US00D603426S

(12) **United States Design Patent**
Hauser et al.

(10) **Patent No.:** **US D603,426 S**
(45) **Date of Patent:** **** Nov. 3, 2009**

(54) **BOXER MEMBRANE PUMP**

D573,609 S * 7/2008 Bilger D15/7

(75) Inventors: **Erwin Hauser**, Emmendingen (DE);
Erich Becker, Bad Krozingen (DE)

* cited by examiner

Primary Examiner—R. Seifert

(73) Assignee: **KNF Neuberger GmbH**, Freiburg (DE)

(74) *Attorney, Agent, or Firm*—Volpe and Koenig, P.C.

(**) Term: **14 Years**

(57) **CLAIM**

(21) Appl. No.: **29/323,371**

The ornamental design for a boxer membrane pump, as shown and described.

(22) Filed: **Aug. 25, 2008**

DESCRIPTION

(51) **LOC (9) Cl.** **15-02**

FIG. 1 is a top, left, front perspective view of a boxer membrane pump in accordance with our new design in which the broken lines do not form part of the claimed design;

(52) **U.S. Cl.** **D15/7**

(58) **Field of Classification Search** D15/7-9;
D23/231, 232, 225; 417/410.1, 359, 415-416,
417/234, 321, 265, 405

FIG. 2 is a top plan view thereof;

FIG. 3 is a bottom plan view thereof;

See application file for complete search history.

FIG. 4 is a left side elevational view thereof;

FIG. 5 is a front elevational view thereof;

(56) **References Cited**

U.S. PATENT DOCUMENTS

- D263,302 S * 3/1982 Terajima et al. D15/7
- D293,249 S * 12/1987 Milden D15/9
- D328,304 S * 7/1992 Frohn et al. D15/7

FIG. 6 is a rear elevational view thereof; and,

FIG. 7 is a right side elevational view thereof.

1 Claim, 7 Drawing Sheets

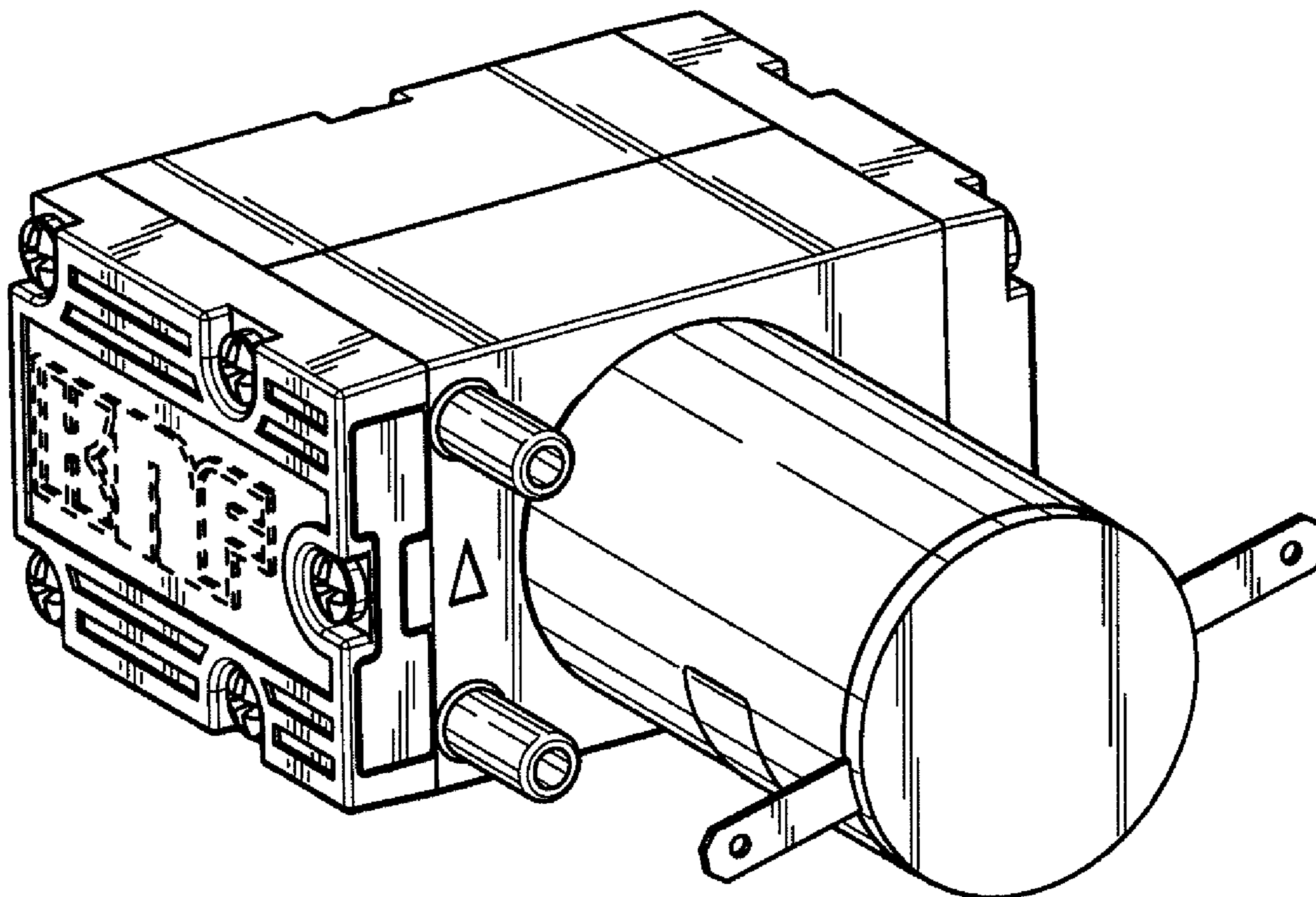


FIG. 1

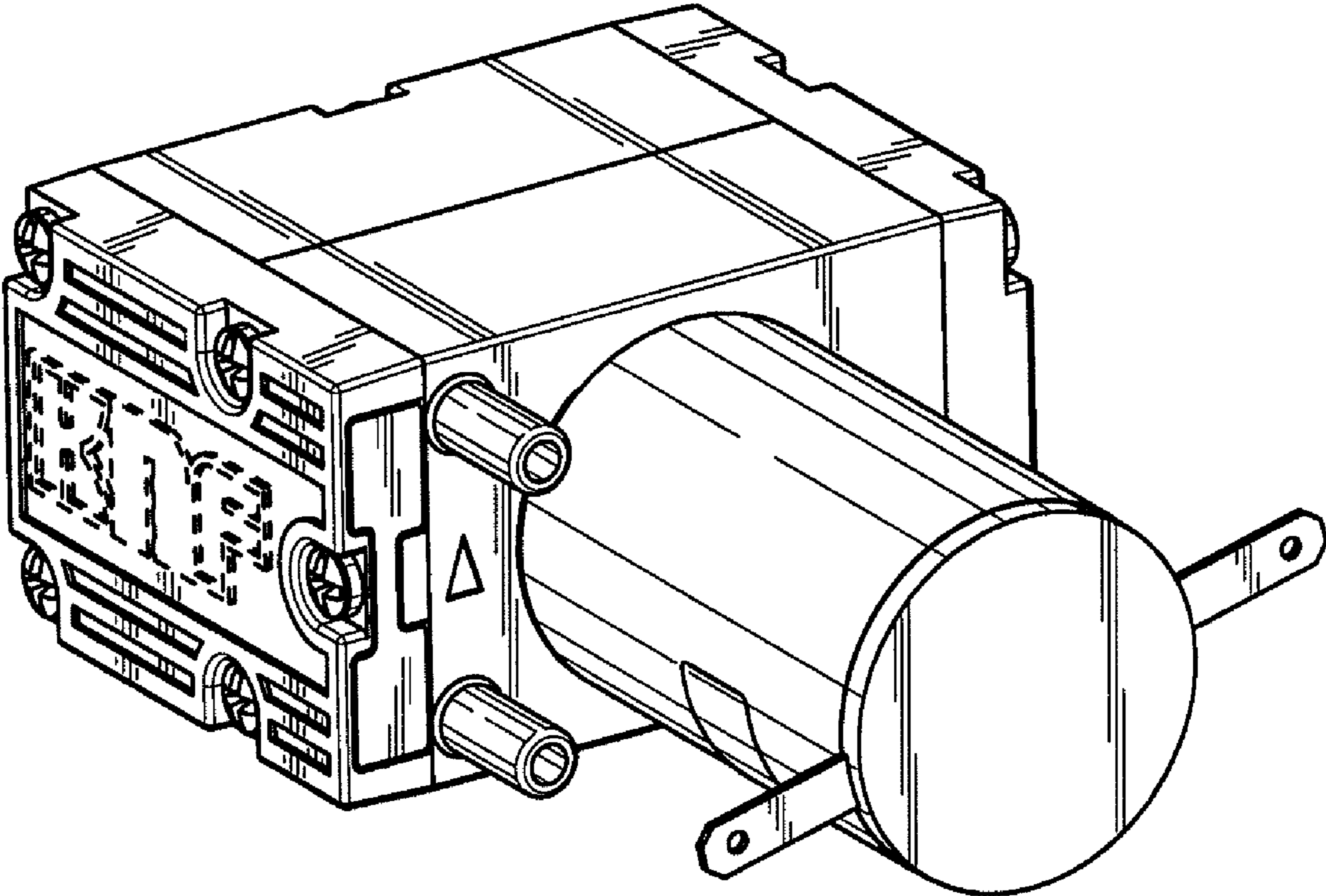


FIG. 2

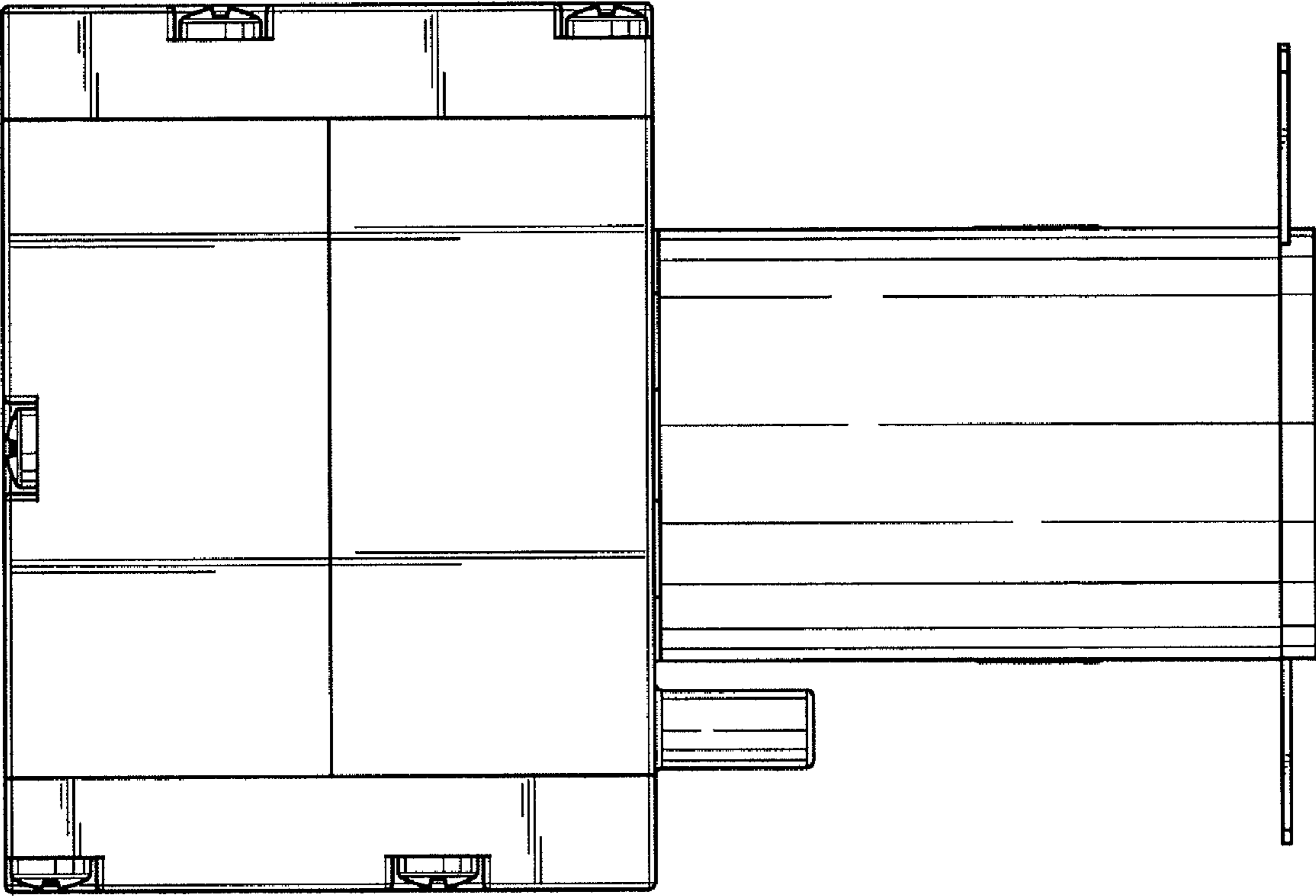


FIG. 3

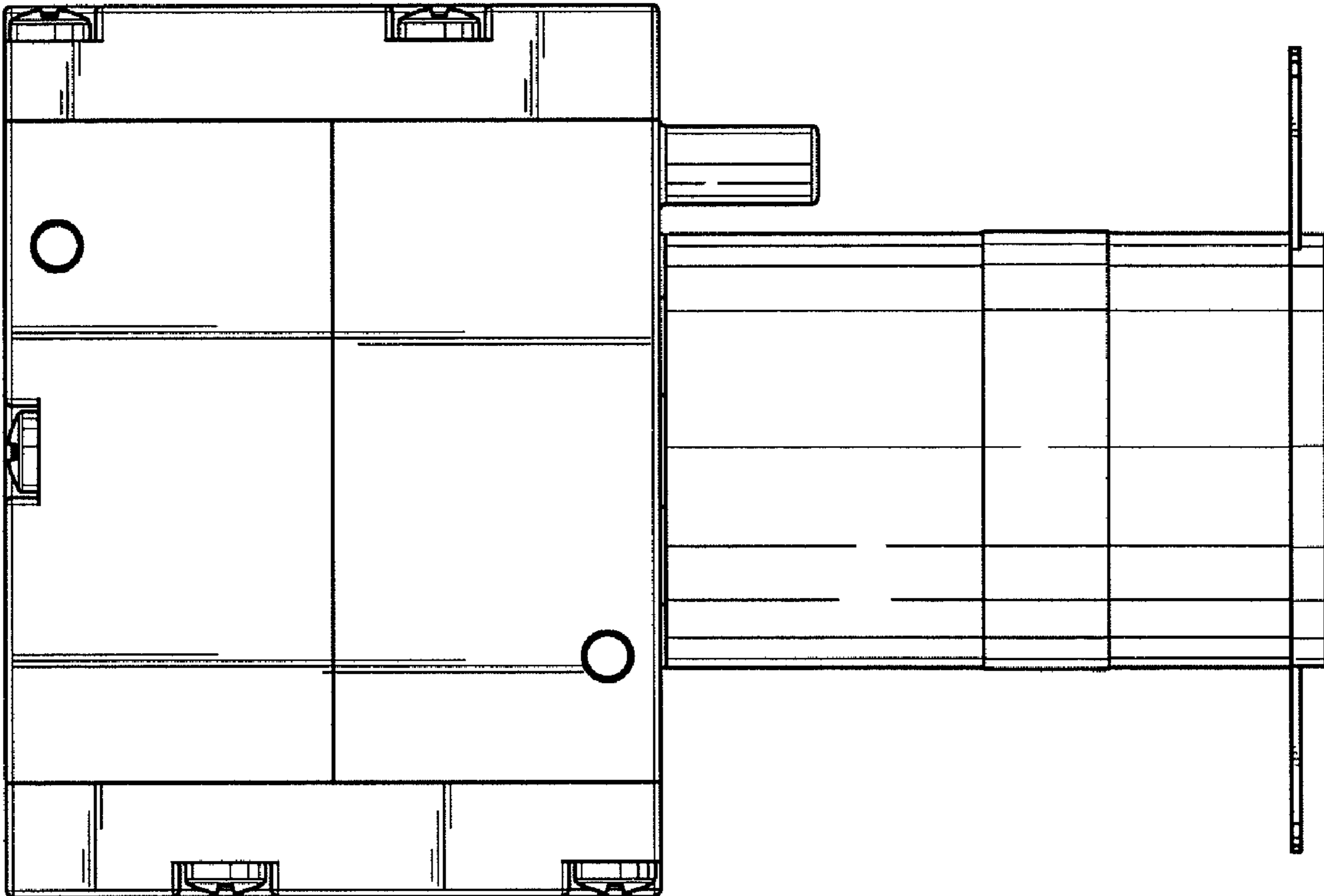


FIG. 4

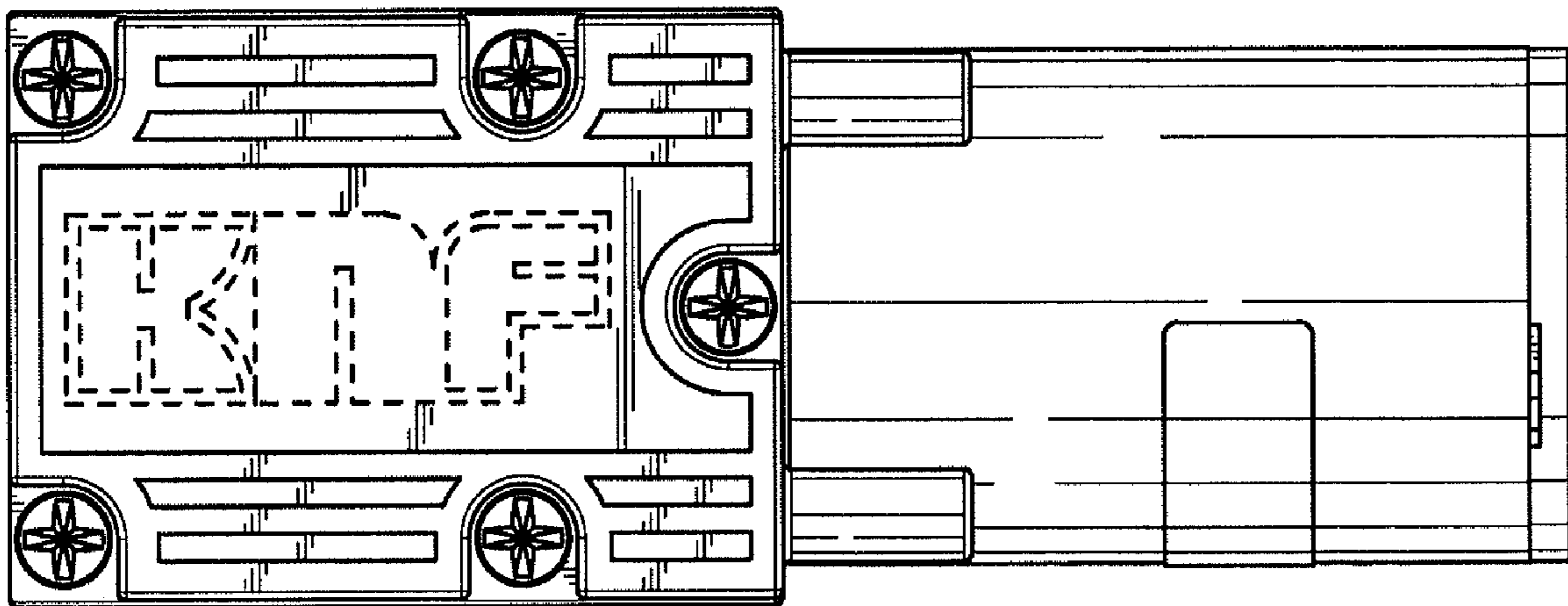


FIG. 5

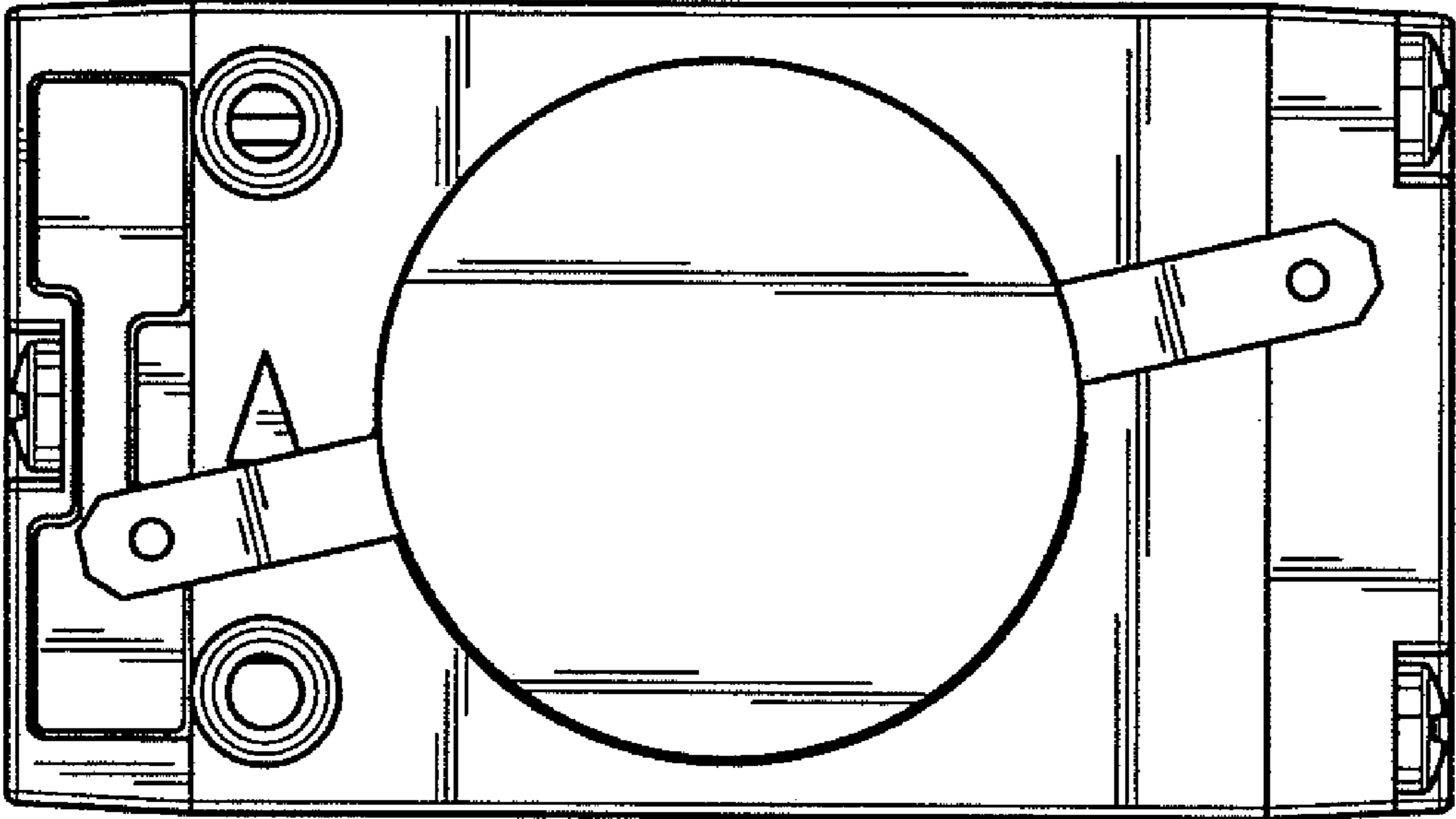


FIG. 6

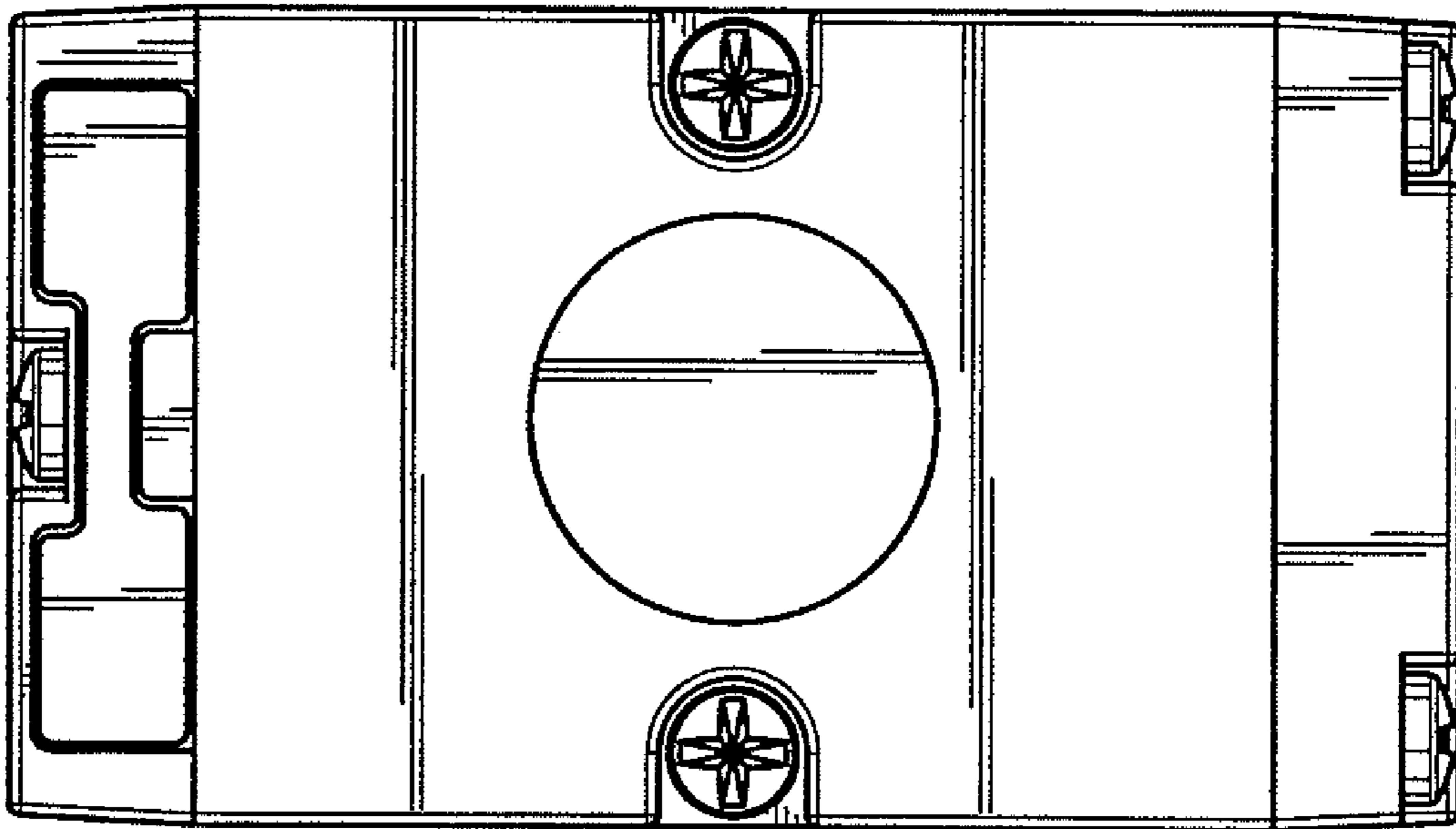


FIG. 7

