



US00D603425S

(12) **United States Design Patent**
Che et al.

(10) **Patent No.:** **US D603,425 S**
(45) **Date of Patent:** **** Nov. 3, 2009**

(54) **INTERNAL-COMBUSTION ENGINE**

(75) Inventors: **Bibo Che**, Chongqing (CN); **Yong Luo**, Chongqing (CN)

(73) Assignee: **Loncin Industry Co., Inc.**, Chongqing (CN)

(**) Term: **14 Years**

(21) Appl. No.: **29/292,686**

(22) Filed: **Oct. 23, 2007**

(51) **LOC (9) Cl.** **15-01**

(52) **U.S. Cl.** **D15/1**

(58) **Field of Classification Search** D15/1-5,
D15/14, 17; 123/50 A, 50 B, 41.7, 657, 198 E
See application file for complete search history.

(56) **References Cited**

U.S. PATENT DOCUMENTS

| | | | |
|--------------|---------|--------------------|-------|
| D294,832 S * | 3/1988 | Itou et al. | D15/1 |
| D307,147 S * | 4/1990 | Sasaki et al. | D15/1 |
| D367,070 S * | 2/1996 | Maeda et al. | D15/1 |
| D396,476 S * | 7/1998 | Shimizu | D15/1 |
| D449,051 S * | 10/2001 | Miyashita | D15/1 |
| D515,589 S * | 2/2006 | Lin et al. | D15/1 |
| D516,580 S * | 3/2006 | Li | D15/1 |
| D521,529 S * | 5/2006 | Wu et al. | D15/1 |
| D528,127 S * | 9/2006 | Nagel et al. | D15/1 |

| | | | |
|----------------|---------|-------------------|----------|
| D529,046 S * | 9/2006 | Maeda et al. | D15/1 |
| D531,638 S * | 11/2006 | Drew et al. | D15/1 |
| 7,225,765 B2 * | 6/2007 | Leech et al. | 123/41.7 |
| D561,784 S * | 2/2008 | Yin et al. | D15/1 |

* cited by examiner

Primary Examiner—Ian Simmons

Assistant Examiner—Wan Laymon

(74) *Attorney, Agent, or Firm*—Nixon Peabody LLP

(57) **CLAIM**

The ornamental design for an internal-combustion engine, as shown and described.

DESCRIPTION

FIG. 1 is a front view of an internal-combustion engine.

FIG. 2 is a back view of the internal-combustion engine.

FIG. 3 is a left view of the internal-combustion engine.

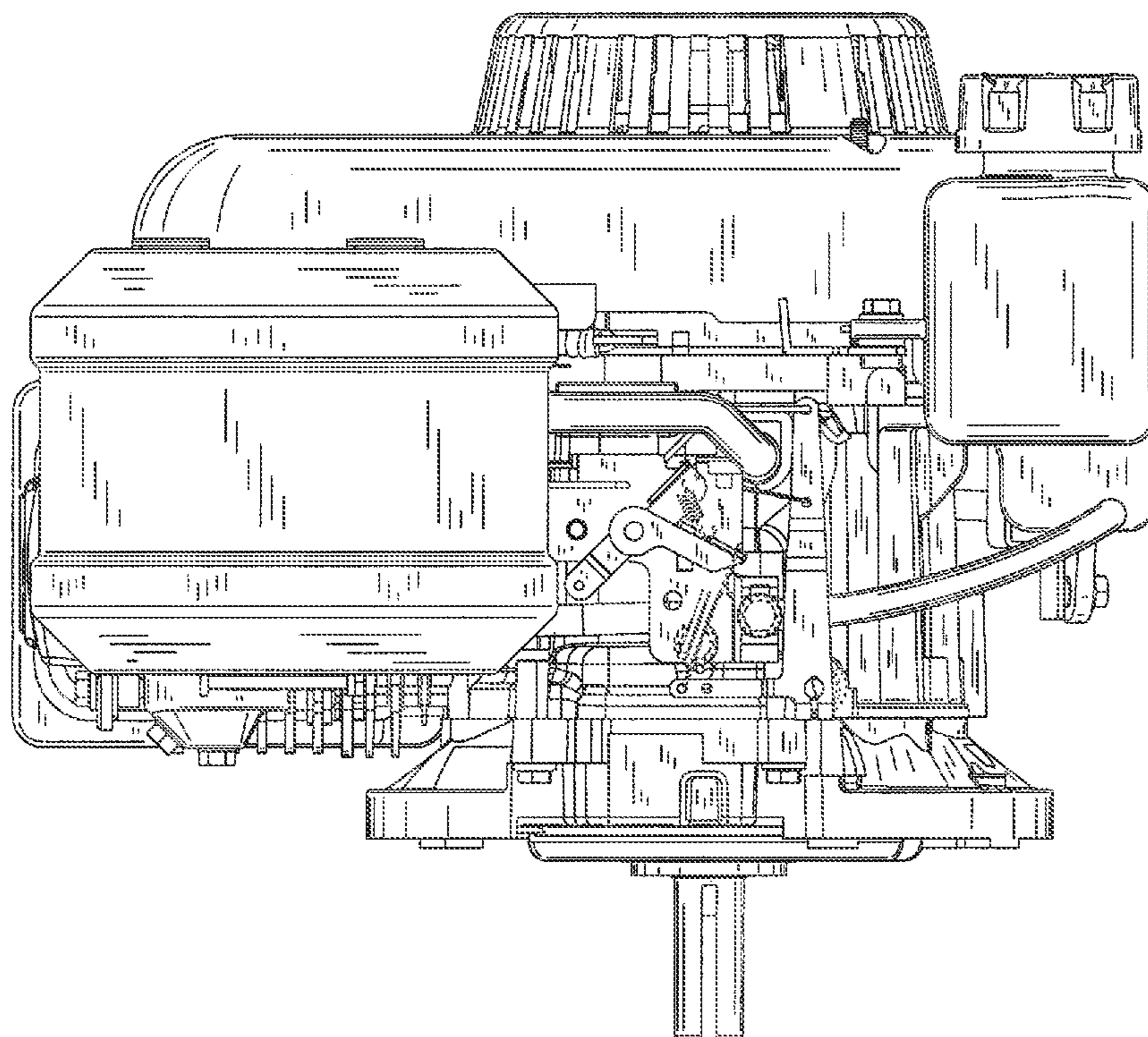
FIG. 4 is a right view of the internal-combustion engine.

FIG. 5 is a top view of the internal-combustion engine; and

FIG. 6 is a perspective view of the internal-combustion engine.

The broken line showing portions of an engine is included for the purpose of illustrating environmental structure and forms no part of the claimed design.

1 Claim, 6 Drawing Sheets



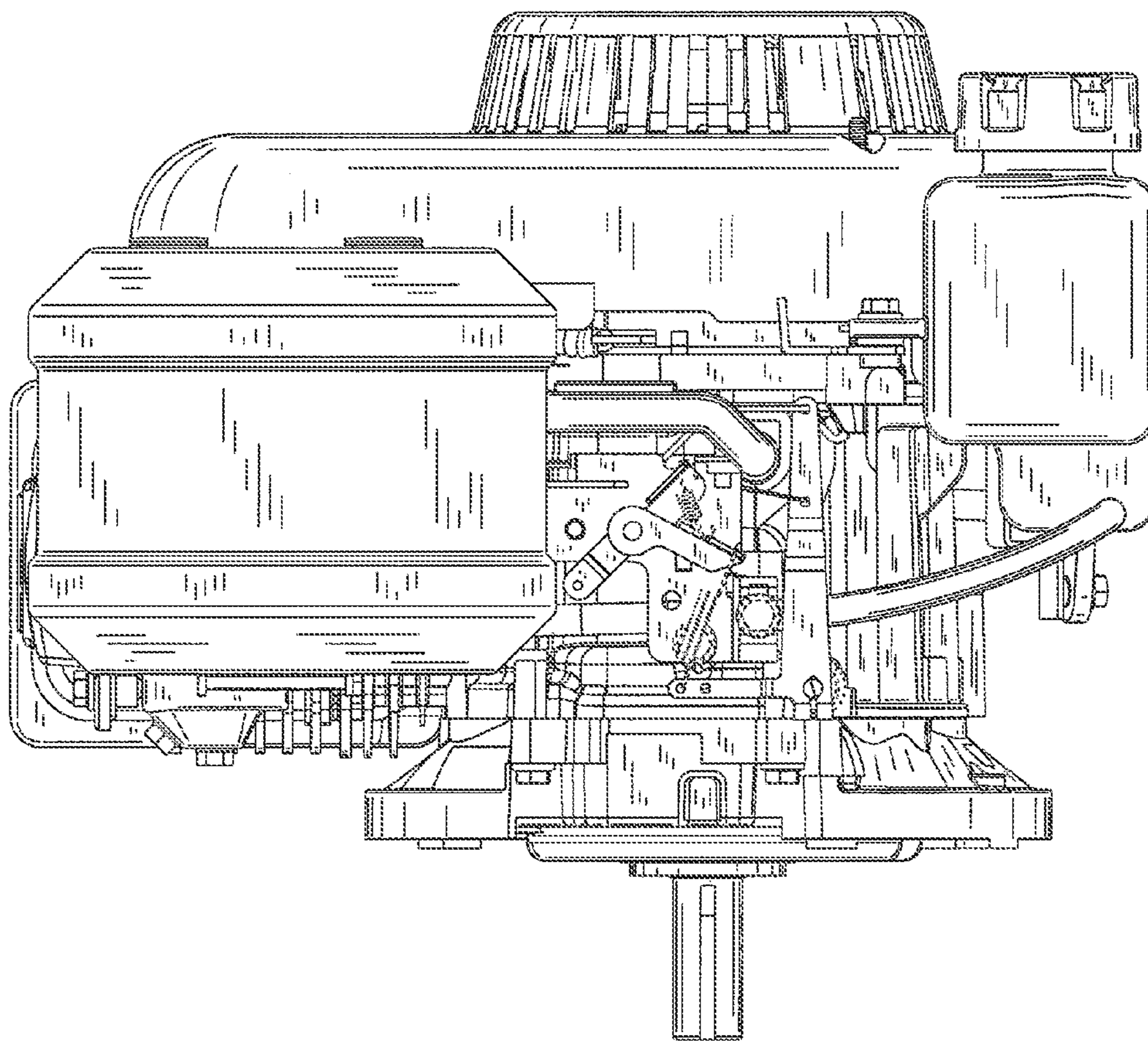


FIG. 1

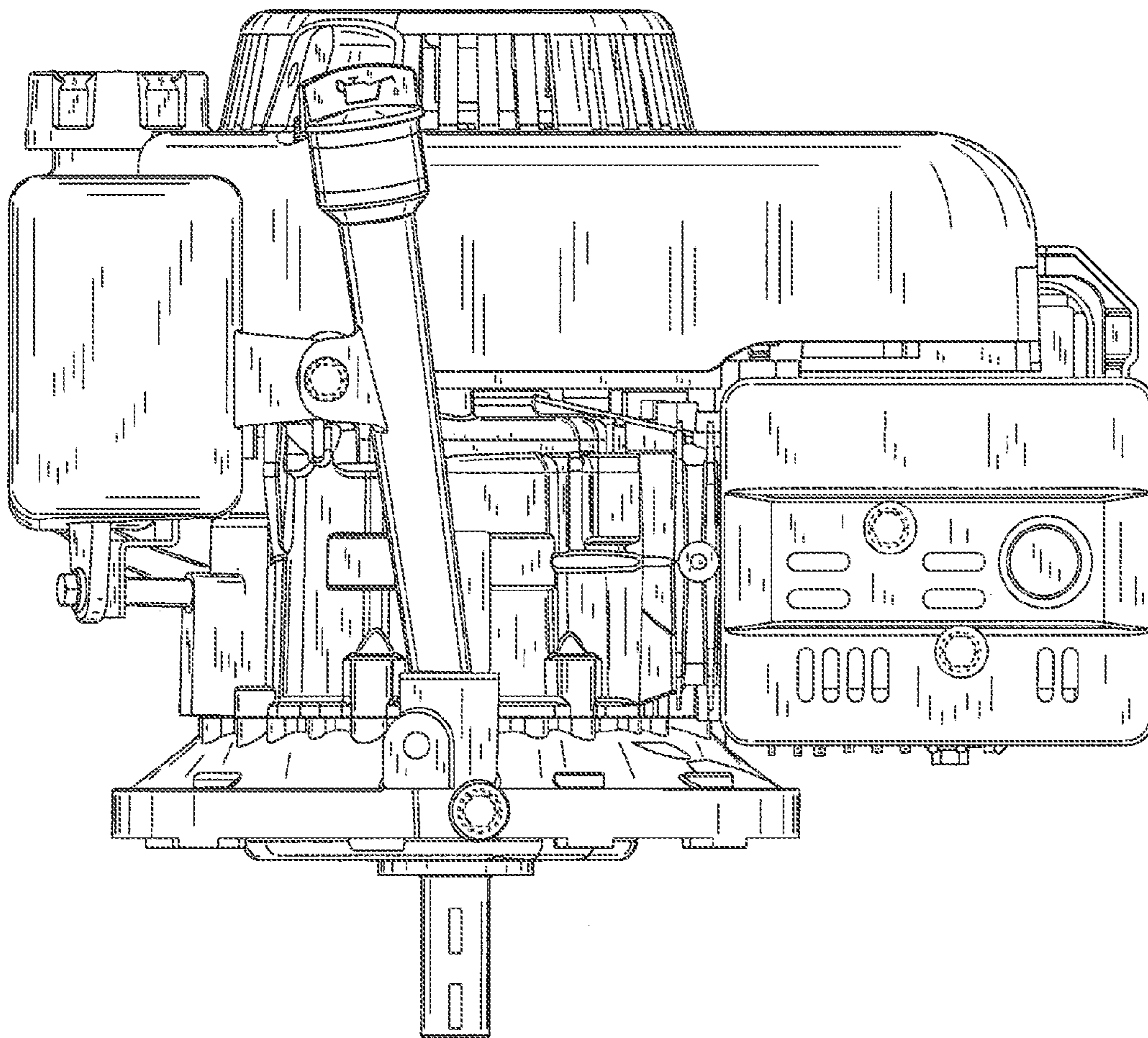


FIG. 2

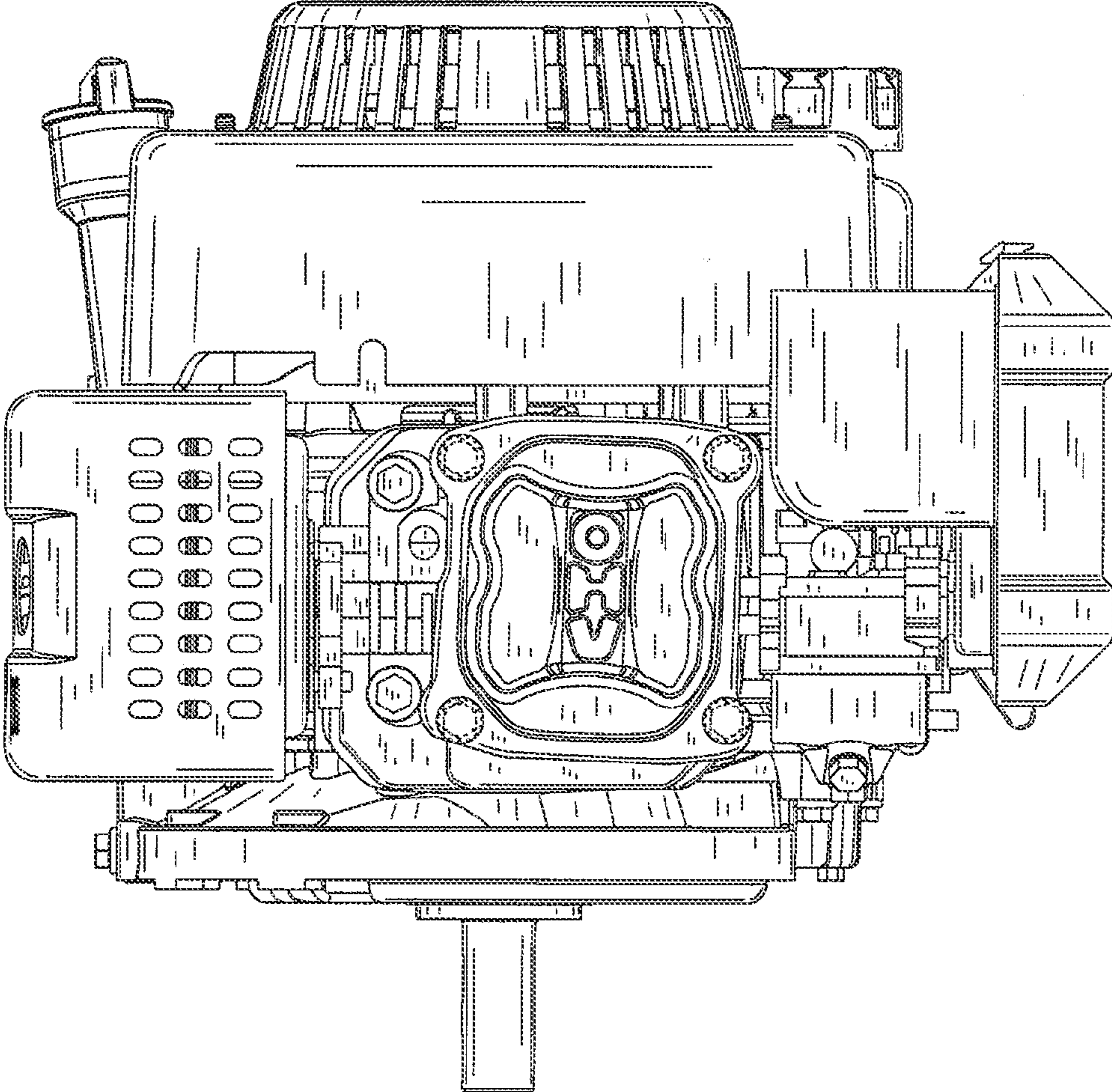


FIG. 3

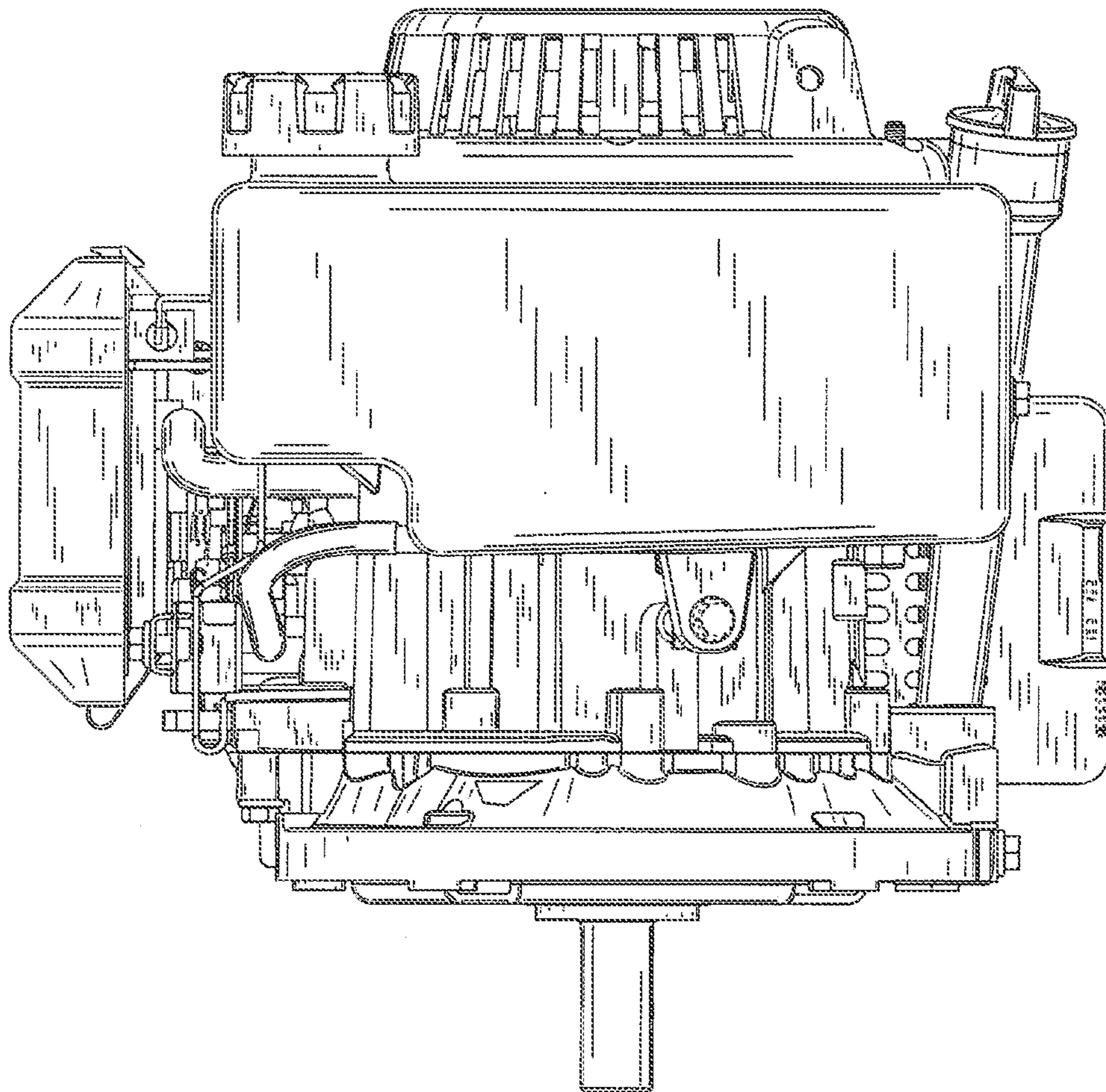


FIG. 4

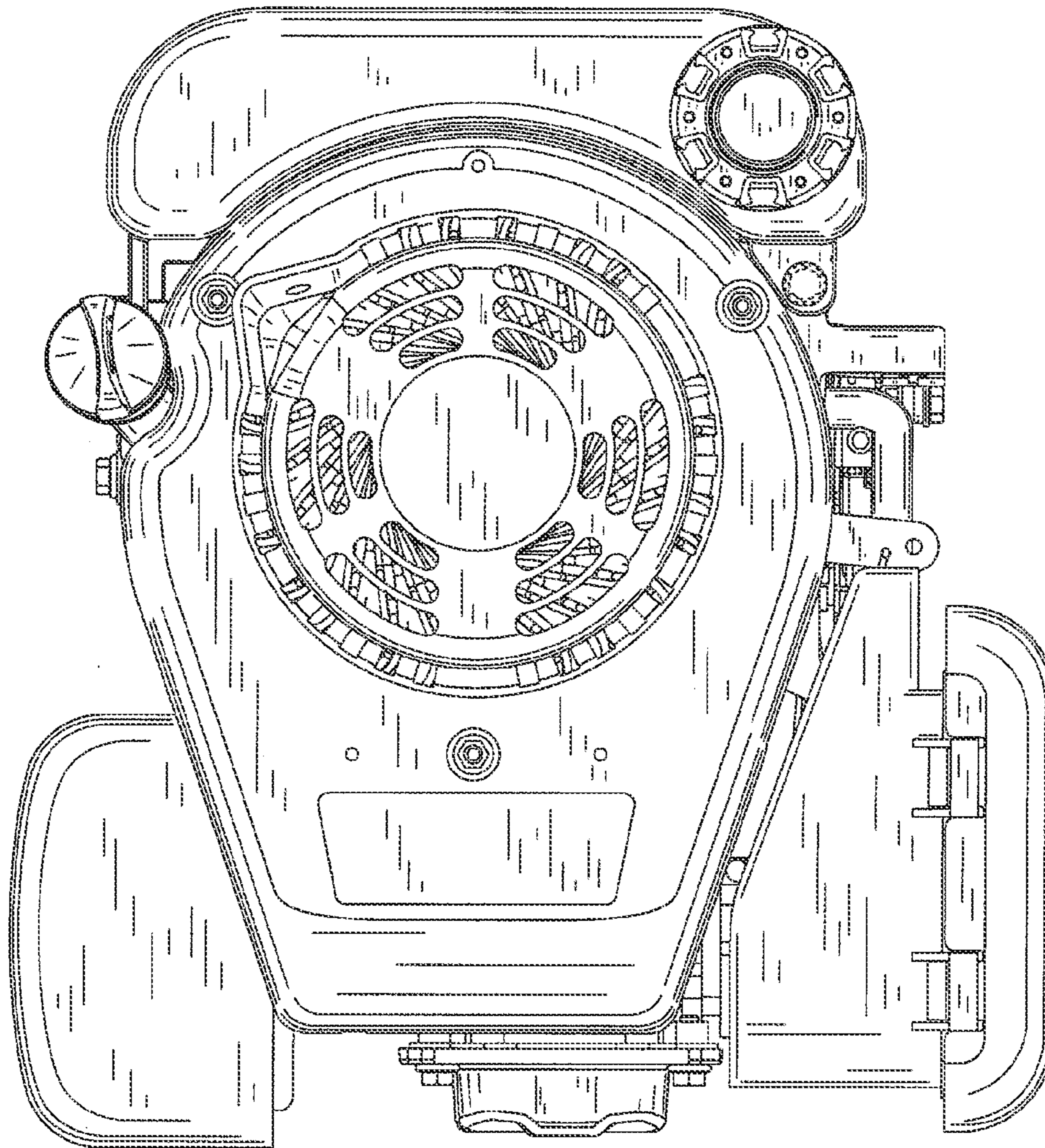


FIG. 5

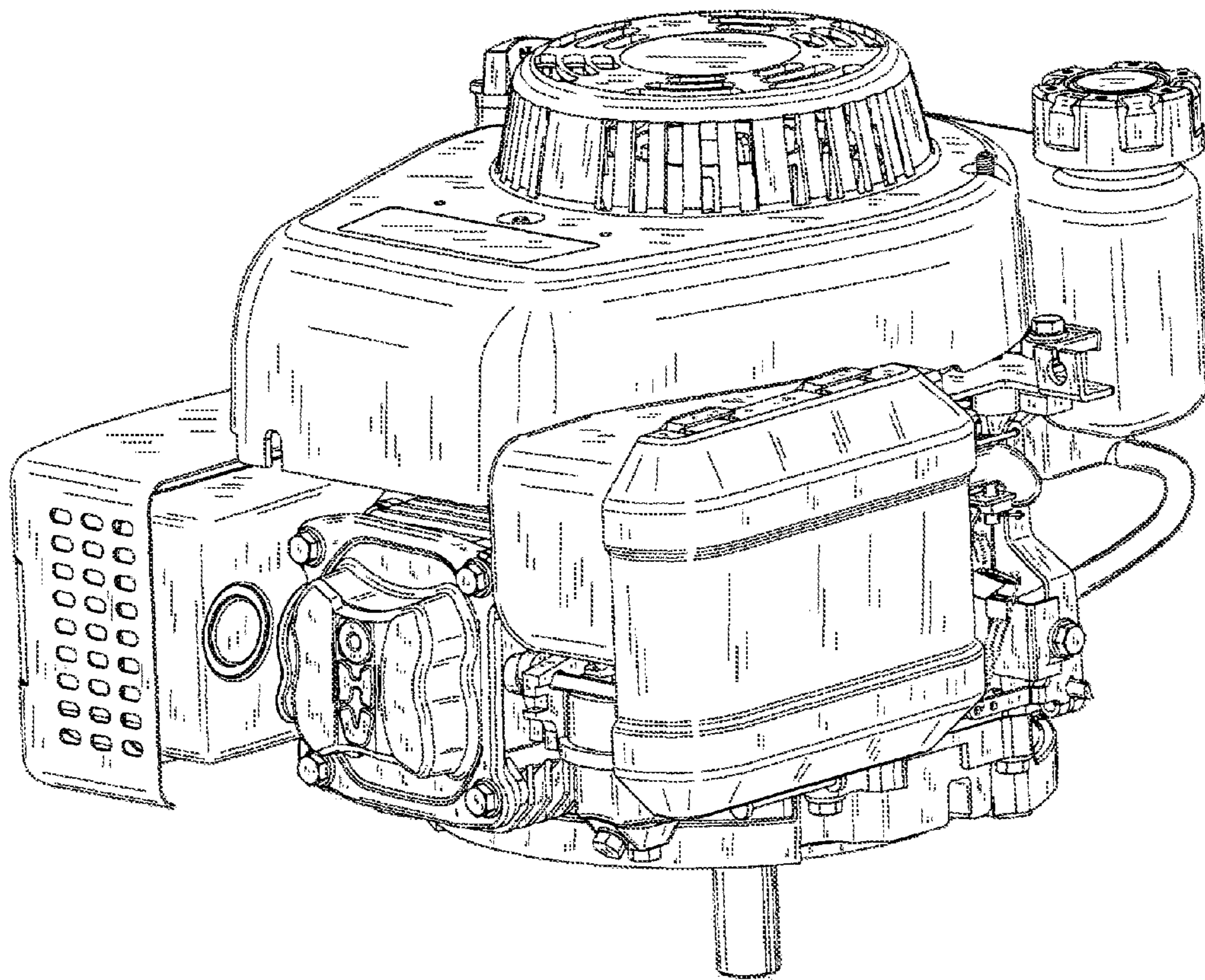


FIG. 6