



US00D603414S

(12) **United States Design Patent**  
**Wun et al.**

(10) **Patent No.:** **US D603,414 S**  
(45) **Date of Patent:** **\*\* Nov. 3, 2009**

(54) **DUAL DISPLAY HAND-HELD ELECTRONIC DEVICE**

(75) Inventors: **Archer Chi Kwong Wun**, North York (CA); **Kwok Ching Leung**, Richmond Hill (CA); **Todd Andrew Wood**, Guelph (CA)

(73) Assignee: **Research In Motion Limited**, Waterloo (CA)

(\*\*) Term: **14 Years**

(21) Appl. No.: **29/336,297**

(22) Filed: **Apr. 30, 2009**

**Related U.S. Application Data**

(62) Division of application No. 29/303,723, filed on Feb. 15, 2008, now Pat. No. Des. 593,569.

(51) **LOC (9) Cl.** ..... **14-02**

(52) **U.S. Cl.** ..... **D14/455; D14/247**

(58) **Field of Classification Search** ..... D14/341, D14/342, 343, 344, 345, 346, 347, 138 R, D14/138 AA, 138 AB, 138 AC, 138 AD, D14/138 C, 138 G, 315, 316, 320, 331, 333, D14/334, 335, 338, 339, 340, 387, 390, 391, D14/392, 393, 394, 395, 396, 397, 398, 399, D14/400, 401, 406, 420, 426, 427, 428, 429, D14/432, 439, 440, 441, 453, 454, 455, 456, D14/457, 496, 130, 137, 142, 150, 151, 203.1; D14/203.3, 203.4, 203.5, 203.6, 203.7, 238.1, D14/247, 248, 250, 902, 218, 125, 126; D13/168, D13/171; D18/7; D21/324, 329, 330, 331, D21/333; D10/65; 455/556.1, 556.2, 566, 455/575.1, 575.3, 575.4, 90.3; 341/22; 379/433.04, 379/433.06, 433.07, 433.11, 433.12, 433.13, 379/910, 915, 916; 348/14.02, 207.1, 552; 345/169, 168, 901

See application file for complete search history.

(56) **References Cited**

**U.S. PATENT DOCUMENTS**

D468,279	S	*	1/2003	Kim et al.	.....	D14/138 AB
D469,415	S	*	1/2003	Nam	.....	D14/138 AA
D502,455	S	*	3/2005	Brandis et al.	.....	D14/138 AA
D543,188	S	*	5/2007	Minamide et al.	....	D14/138 AA
D545,792	S	*	7/2007	Kim et al.	.....	D14/138 AA
D558,179	S	*	12/2007	Hansen	.....	D14/138 AA
D574,817	S	*	8/2008	Eroma et al.	.....	D14/247
D580,403	S	*	11/2008	Jung et al.	.....	D14/138 AD
D585,414	S	*	1/2009	Kim et al.	.....	D14/138 AA
D593,569	S	*	6/2009	Wun et al.	.....	D14/455
D593,570	S	*	6/2009	Wun et al.	.....	D14/455
D596,600	S	*	7/2009	Wun et al.	.....	D14/138 AB
2006/0100004	A1	*	5/2006	Kim et al.	.....	455/575.3

\* cited by examiner

*Primary Examiner*—Jennifer Rivard

*Assistant Examiner*—Angela J Lee

(57) **CLAIM**

We claim the ornamental design for a dual display hand-held electronic device, as shown and described.

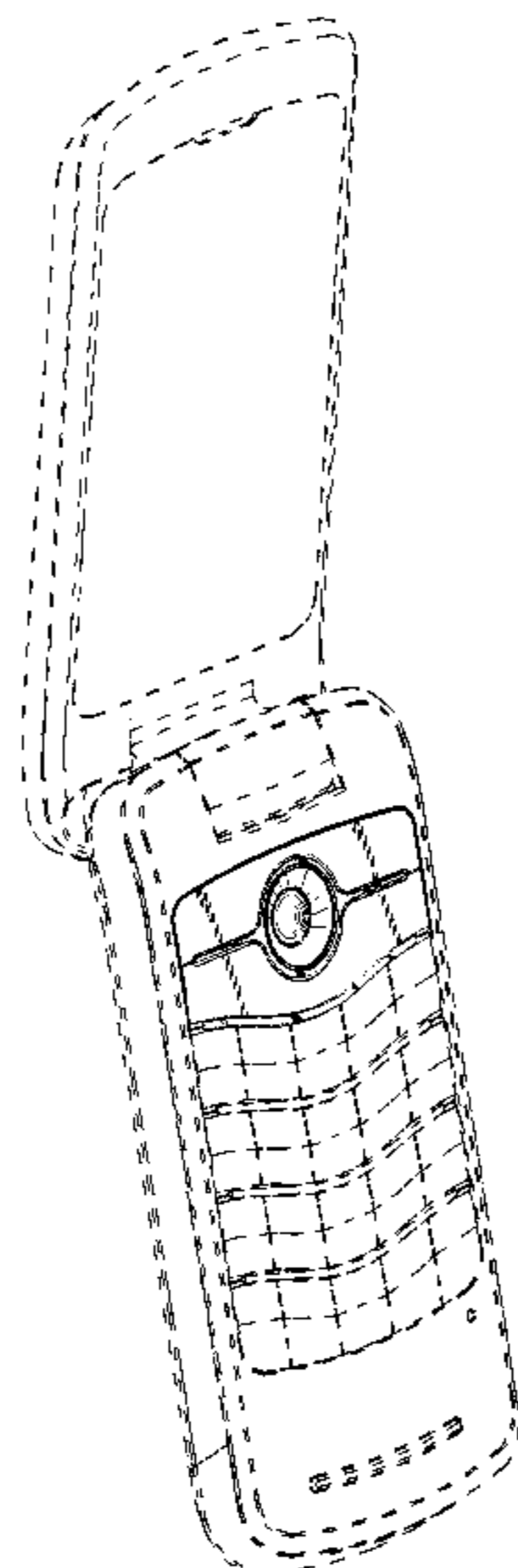
**DESCRIPTION**

FIG. 1 is a front perspective view of a dual display hand-held electronic device; and,

FIG. 2 is a front elevational view of the dual display hand-held electronic device.

The broken lines showing portions of the dual display hand-held electronic device form no part of the claimed design.

**1 Claim, 2 Drawing Sheets**



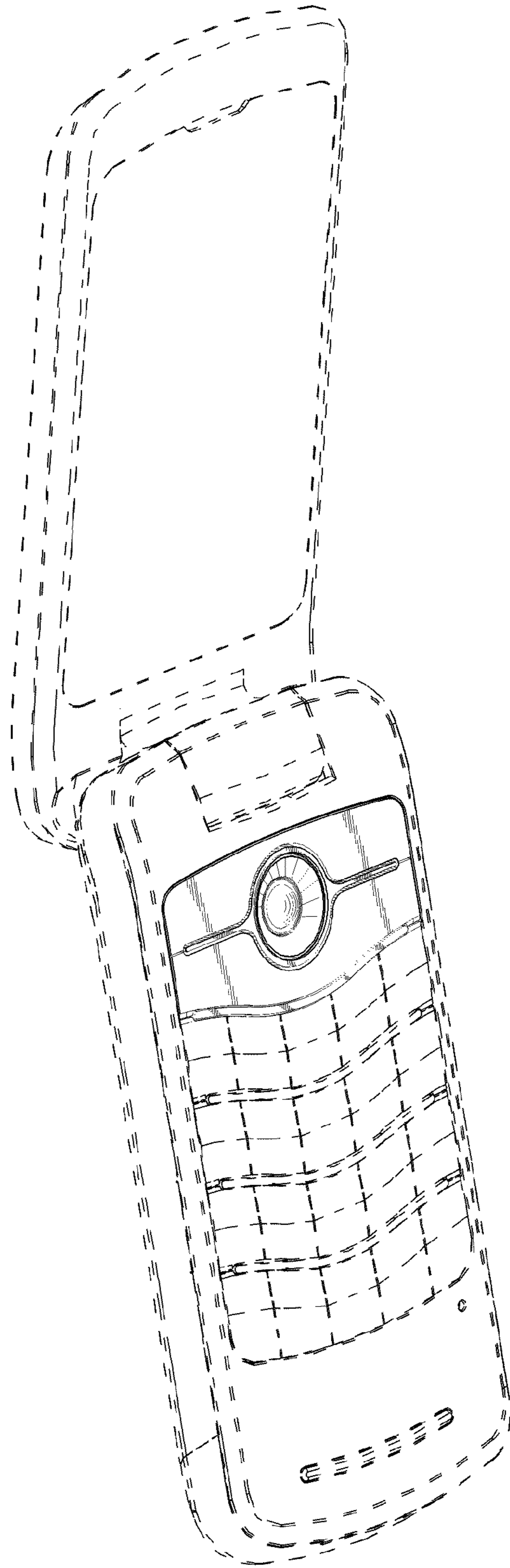


FIG.1

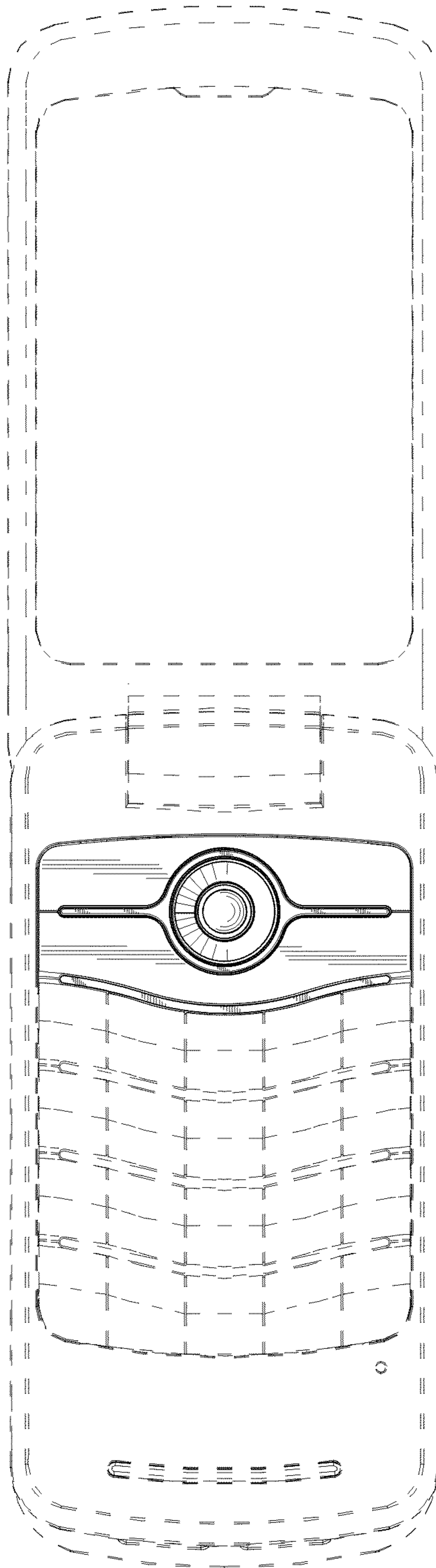


FIG.2