



US00D603392S

(12) **United States Design Patent**
Jeong et al.

(10) **Patent No.:** **US D603,392 S**
(45) **Date of Patent:** **** Nov. 3, 2009**

(54) **NOTEBOOK COMPUTER**
(75) Inventors: **Seung-Wook Jeong**, Seoul (KR);
Ji-Sang Park, Kyunggi-do (KR)
(73) Assignee: **Samsung Electronics Co., Ltd.**, Suwon,
Kyunggi-Do (KR)

D567,236 S 4/2008 Yoon
D578,523 S 10/2008 Yoon
D578,524 S 10/2008 Yoon
D578,525 S 10/2008 Yoon
D580,432 S 11/2008 Yun et al.
2005/0041378 A1* 2/2005 Hamada et al. 361/680

(**) Term: **14 Years**
(21) Appl. No.: **29/312,892**
(22) Filed: **Nov. 19, 2008**

OTHER PUBLICATIONS

U.S. Appl. No. 29/301,708, Applicant: Se-O Lee, et al., filed Mar. 13, 2008 entitled Notebook Computer.
U.S. Appl. No. 29/301,707, Applicant: Se-O Lee, et al., filed Mar. 13, 2008 entitled Notebook Computer.
U.S. Appl. No. 29/301,709, Applicant: Atsushi Kawase, et al., filed Mar. 13, 2008 entitled Notebook Computer.
U.S. Appl. No. 29/312,890, Applicant: Byeong-Yong Song, et al., filed Nov. 19, 2008 entitled Notebook Computer.

(51) **LOC (9) Cl.** **14-02**
(52) **U.S. Cl.** **D14/315**
(58) **Field of Classification Search** D14/315-328;
D18/1, 2, 7, 11; 235/145 A, 145 R; 341/22,
341/23; 345/104, 156, 168, 169, 173, 87,
345/901-905; 361/680-686; 400/486, 489;
710/14

* cited by examiner

Primary Examiner—Freda S Nunn
(74) *Attorney, Agent, or Firm*—Flynn, Thiel, Boutell & Tanis,
P.C.

See application file for complete search history.

(57) **CLAIM**

(56) **References Cited**

The ornamental design for a notebook computer, as shown and described.

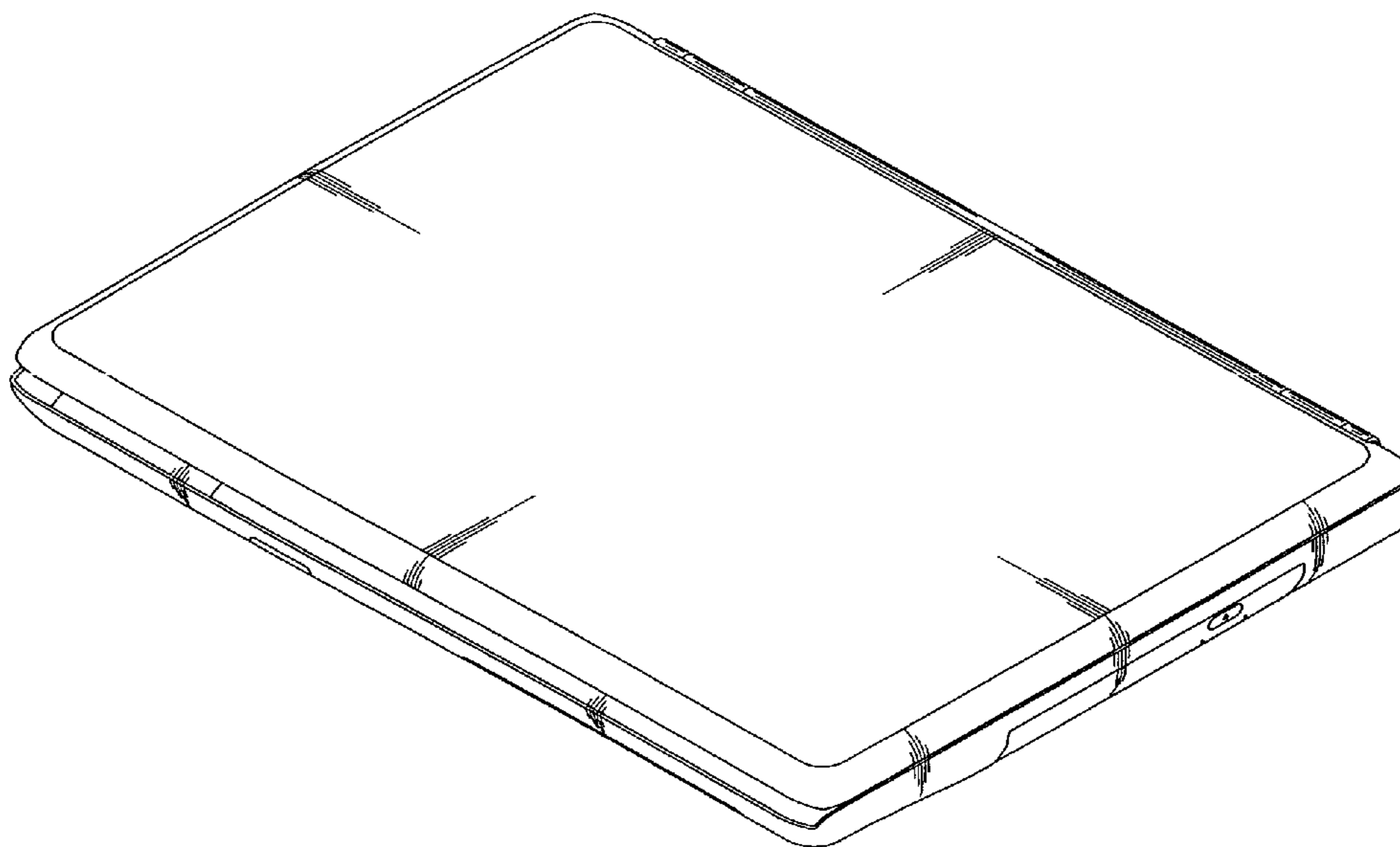
U.S. PATENT DOCUMENTS

D335,870 S	5/1993	Yun	
D336,465 S	6/1993	Kim	
D338,457 S	8/1993	Kim	
D348,442 S	7/1994	Yoon	
D492,678 S	7/2004	Kim et al.	
D523,010 S *	6/2006	Paek et al. D14/327
D523,431 S *	6/2006	Yoon D14/327
D523,851 S *	6/2006	Jeong et al. D14/327
D523,852 S *	6/2006	Kim et al. D14/327
D524,306 S *	7/2006	Yun et al. D14/315
D524,307 S	7/2006	Kim et al.	
D535,652 S	1/2007	Lee et al.	
D547,309 S *	7/2007	Yoon D14/315
D547,310 S *	7/2007	Yoon D14/315
D556,192 S	11/2007	Jeong et al.	

DESCRIPTION

FIG. 1 is a top front perspective view of a notebook computer showing our new design;
FIG. 2 is a front elevational view thereof;
FIG. 3 is a rear elevational view thereof;
FIG. 4 is a left side elevational view thereof;
FIG. 5 is a right side elevational view thereof;
FIG. 6 is a top plan view thereof; and,
FIG. 7 is a bottom plan view thereof.

1 Claim, 4 Drawing Sheets



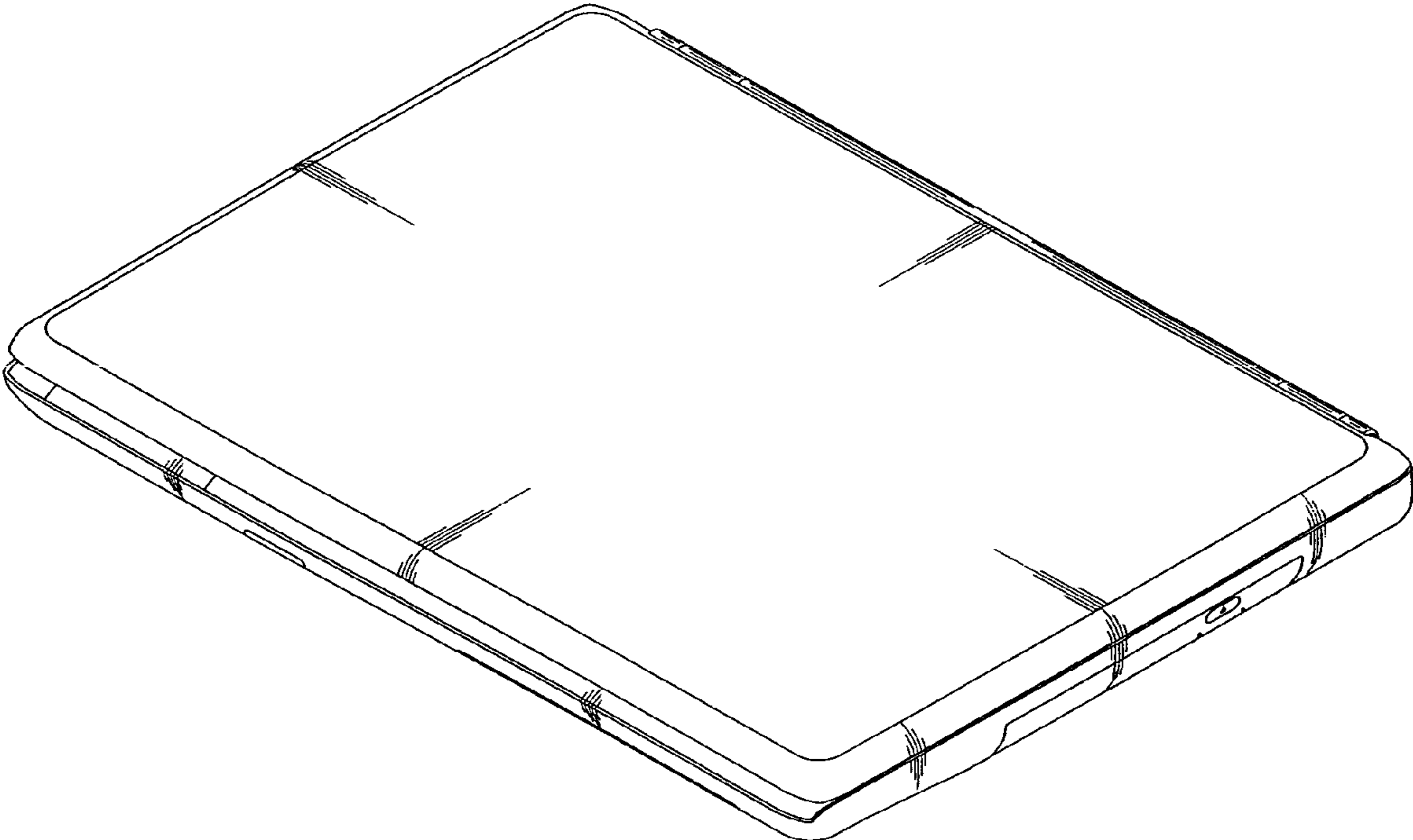


FIG.1

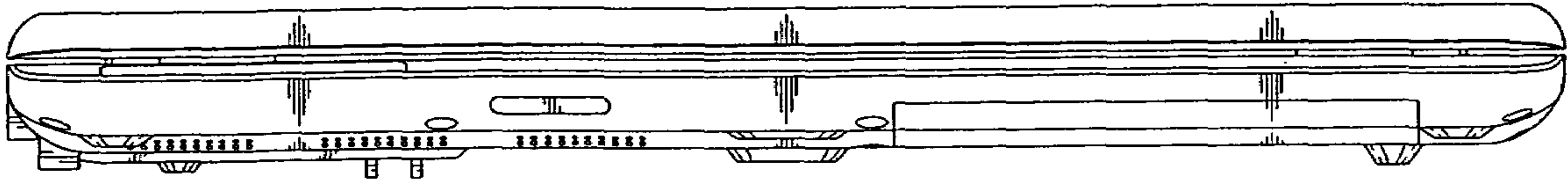


FIG. 2

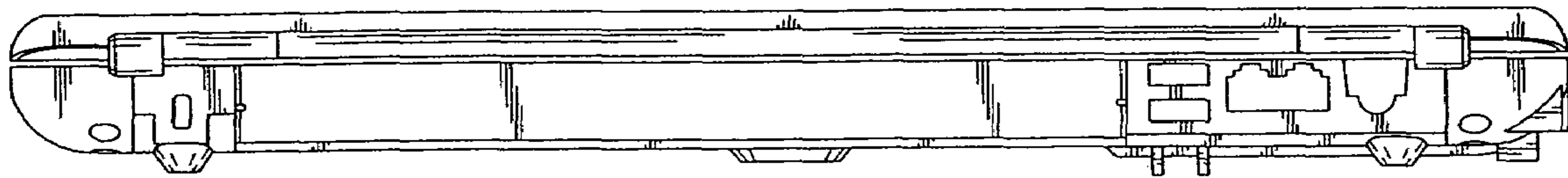


FIG. 3

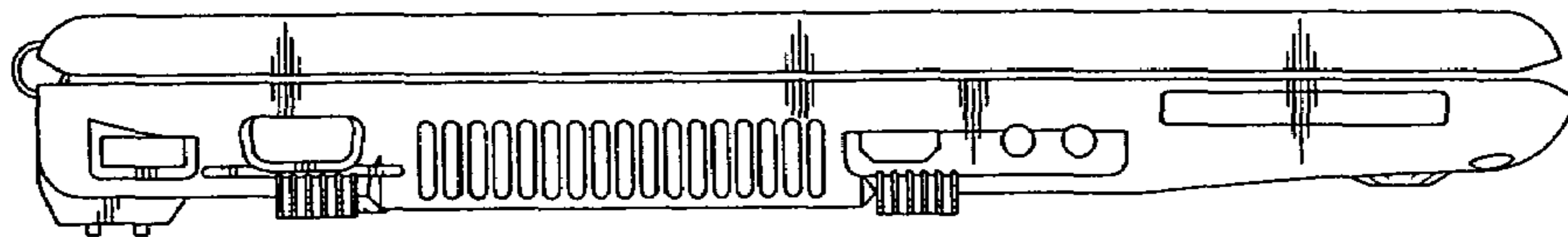


FIG. 4

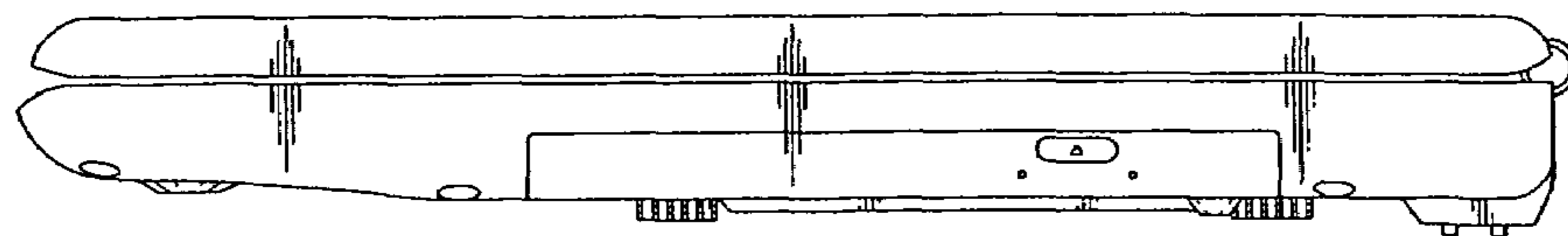


FIG. 5

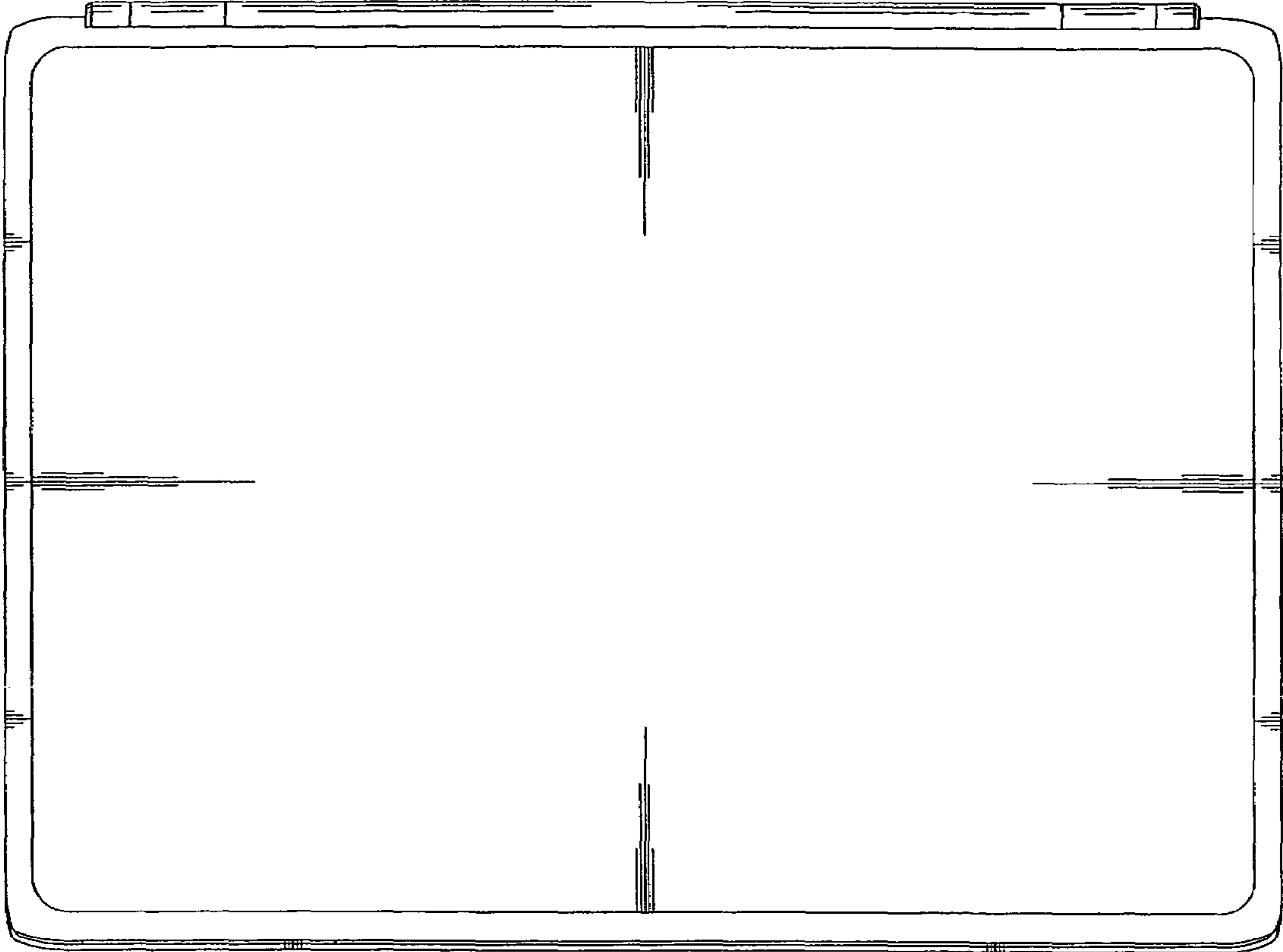


FIG.6

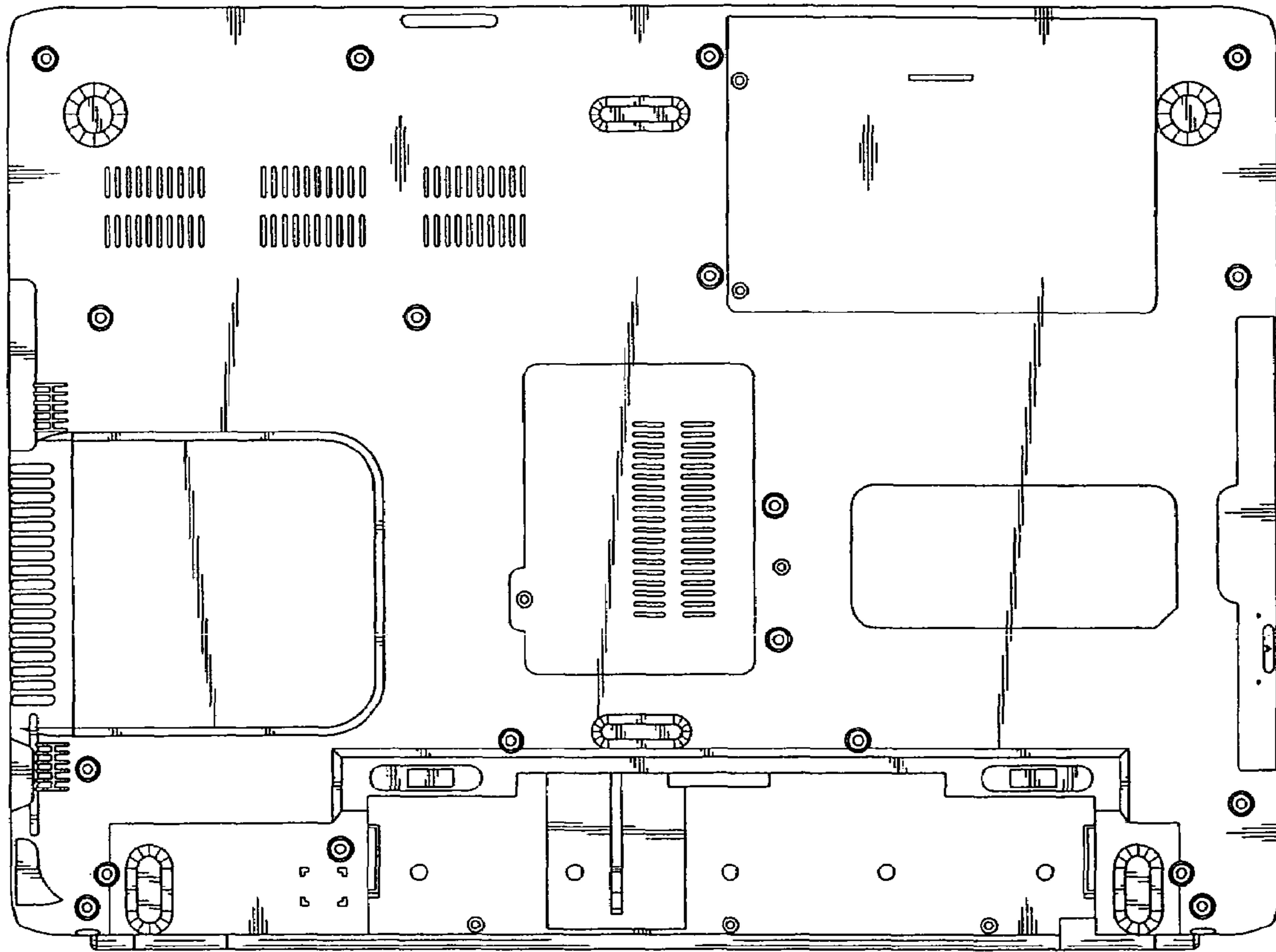


FIG. 7