

US00D603386S

(12) **United States Design Patent**
Le

(10) **Patent No.:** **US D603,386 S**

(45) **Date of Patent:** **** Nov. 3, 2009**

(54) **TV WALL RACK**

(74) *Attorney, Agent, or Firm*—Morrison & Foerster LLP

(76) Inventor: **Jianrong Le**, Xinle, Qui'ai Town,
Yinzhou District, Ningbo (CN) 315101

(57) **CLAIM**

The ornamental design for a TV wall rack, as shown and described.

(**) Term: **14 Years**

(21) Appl. No.: **29/330,728**

DESCRIPTION

(22) Filed: **Jan. 13, 2009**

FIG. 1 is a front view of a TV wall rack showing my new design;

(51) **LOC (9) Cl.** **14-03**

FIG. 2 is a back view thereof;

(52) **U.S. Cl.** **D14/239**

FIG. 3 is a top view thereof;

(58) **Field of Classification Search** D14/125–134,
D14/239, 371, 136, 374–377; D8/363, 373,
D8/349, 394; 248/465, 917–924, 123.11;
348/825, 827, 836, 837, 838, 180, 184, 325,
348/739; 600/443; D6/477–479, 407, 474,
D6/460, 461, 468; 312/7.2; 341/12; 345/87,
345/104, 133, 156, 168, 169, 173; 720/605,
720/669, 600, 655; 369/99, 197; 455/344–347;
349/1, 2, 11, 62; 108/59, 91, 92, 96; 211/40,
211/41.12, 42, 49.1, 50, 85.2, 90.04, 187,
211/190, 119.003, 134.153, 87.01, 71.01

FIG. 4 is a bottom view thereof;

FIG. 5 is a left/right side view thereof;

FIG. 6 is a perspective view thereof;

FIG. 7 is a front view of the rack portion thereof;

FIG. 8 is a back view of the rack portion thereof;

FIG. 9 is a left/right side view of the rack portion thereof;

FIG. 10 is a top view of the rack portion thereof;

FIG. 11 is a bottom view of the rack portion thereof;

FIG. 12 is a perspective view of the rack portion thereof;

FIG. 13 is a front view of the sliding slot portion thereof;

FIG. 14 is a back view of the sliding slot portion thereof;

FIG. 15 is a top view of the sliding slot portion thereof;

FIG. 16 is a bottom view of the sliding slot portion thereof;

FIG. 17 is a top left/right side view of the sliding slot portion thereof; and,

FIG. 18 is a perspective view of the sliding slot portion thereof.

See application file for complete search history.

For ease of illustration portions of the TV wall rack are shown separately in FIGS. 7–18.

The broken lines are for illustrative purposes only and form no part of the claimed design.

(56) **References Cited**

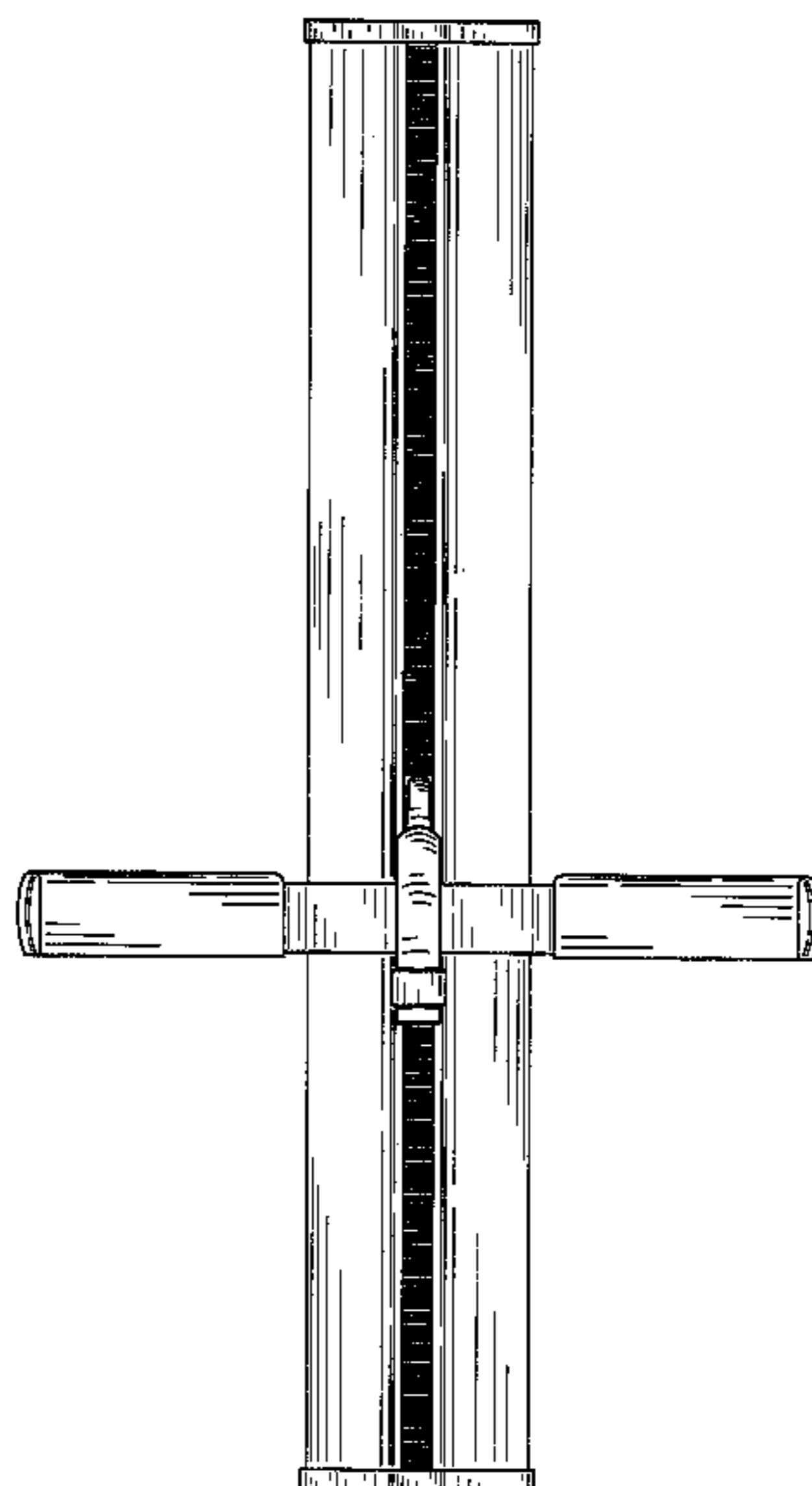
U.S. PATENT DOCUMENTS

3,078,484	A *	2/1963	Briggs	15/21.1
5,007,608	A *	4/1991	Carroll, Jr.	248/297.21
5,183,162	A *	2/1993	Ritzenthaler	211/1.57
6,286,794	B1 *	9/2001	Harbin	248/123.2
7,048,242	B2 *	5/2006	Oddsens, Jr.	248/280.11
7,063,296	B2 *	6/2006	Williams	248/285.1
D584,734	S *	1/2009	Chu	D14/452
7,472,458	B2 *	1/2009	Oddsens, Jr.	16/255
2004/0251388	A1 *	12/2004	Williams	248/274.1

* cited by examiner

Primary Examiner—Raphael Barkai
Assistant Examiner—Randall H Gholson

1 Claim, 10 Drawing Sheets



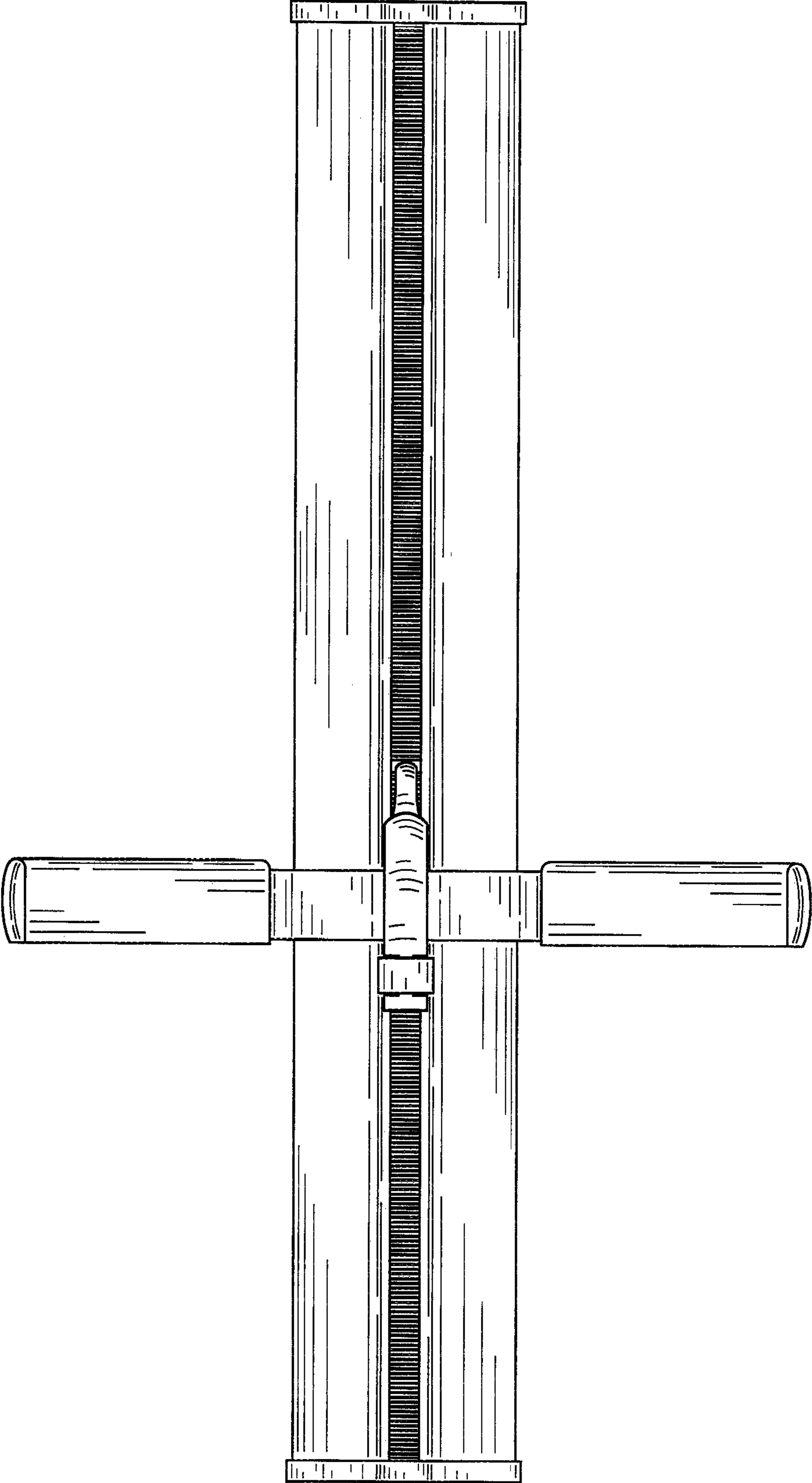


FIG. 1

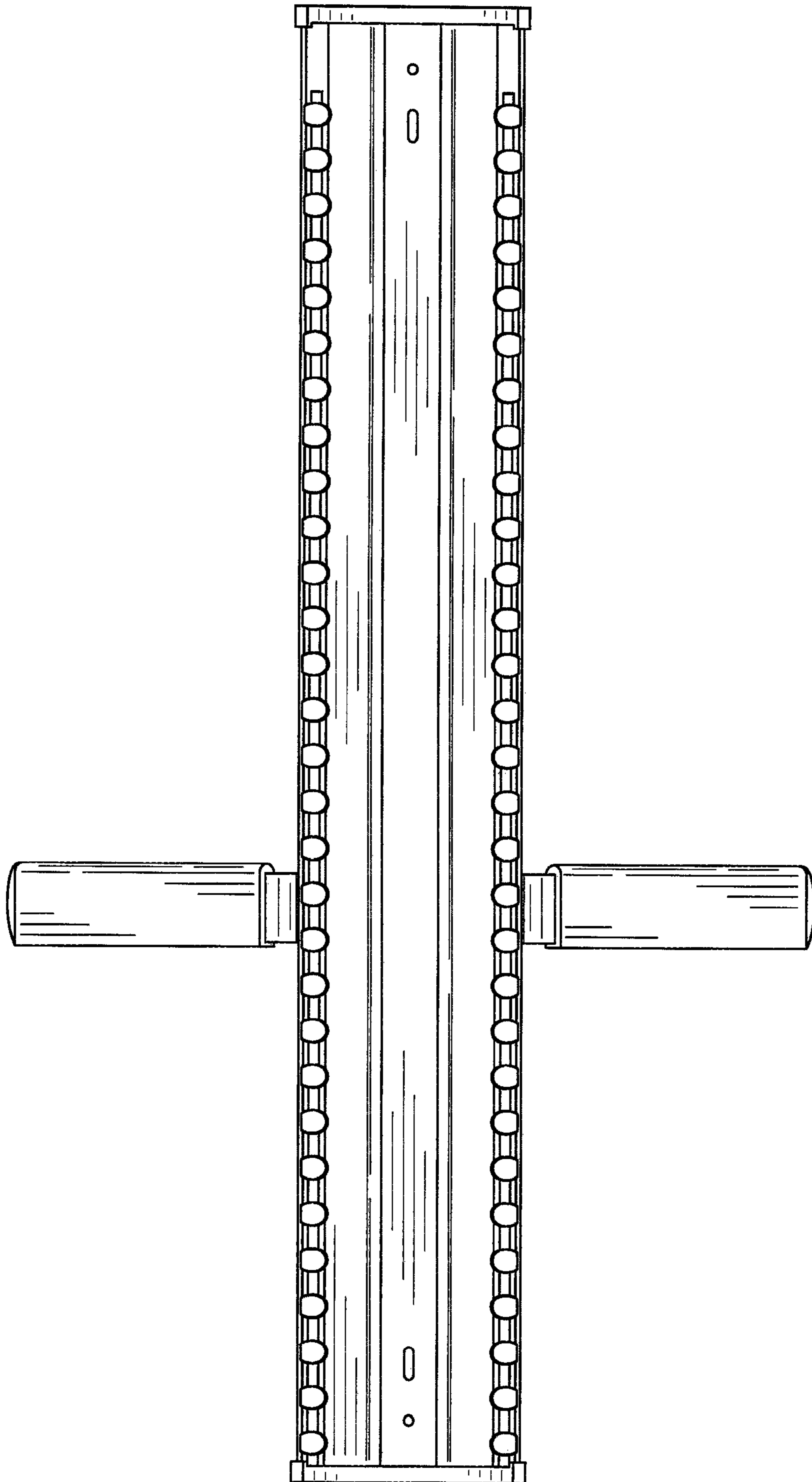


FIG. 2

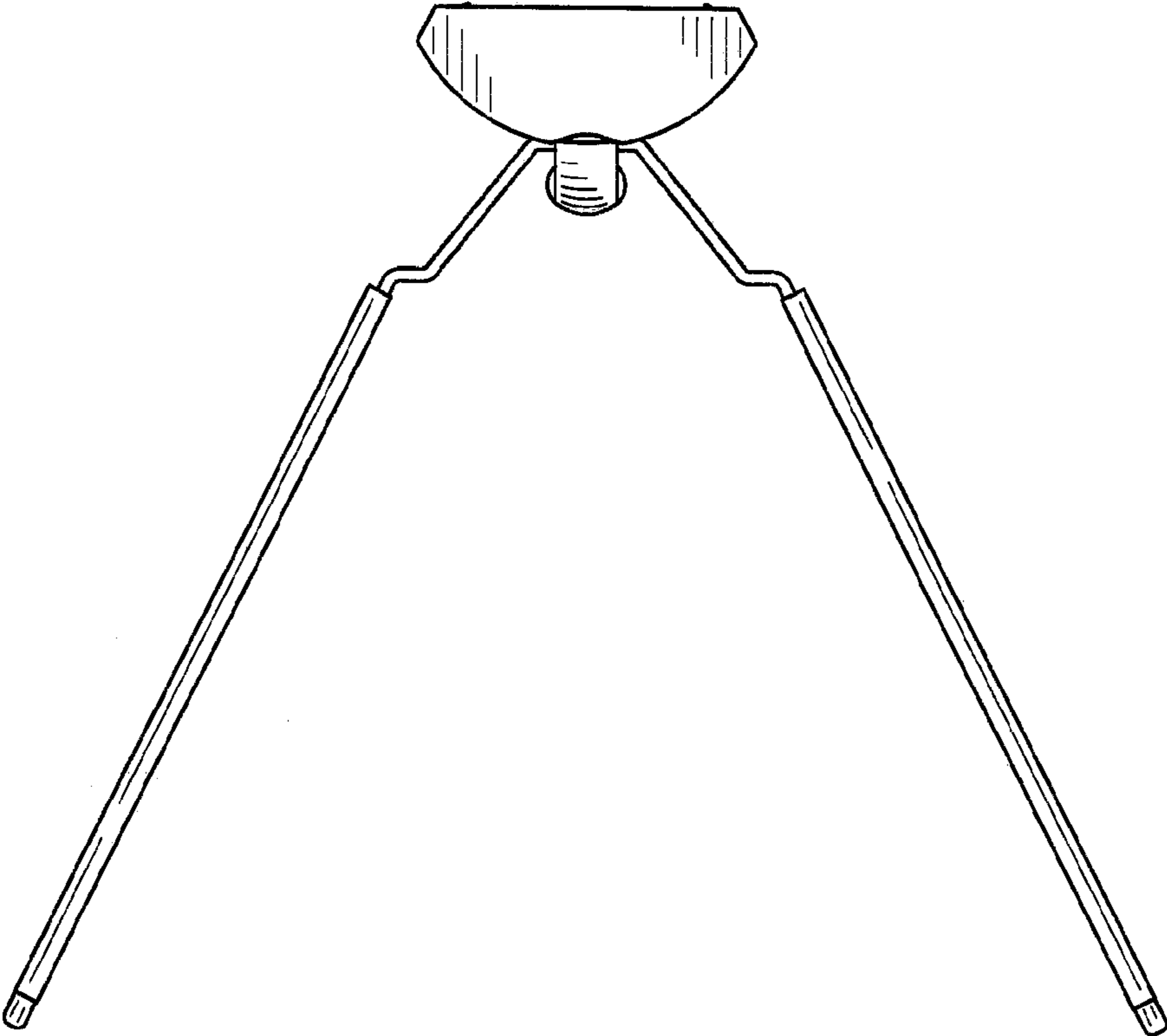


FIG. 3

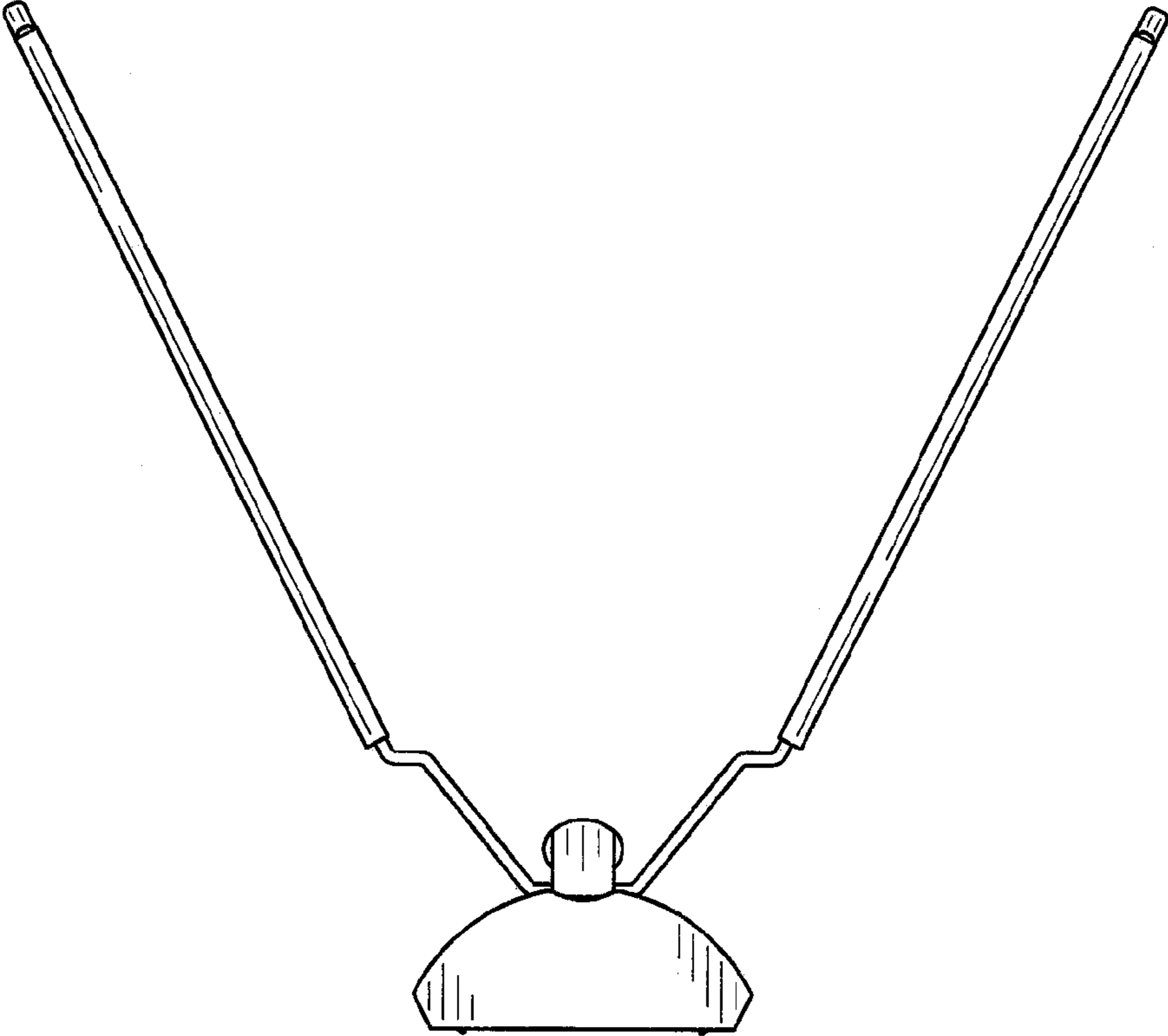


FIG. 4

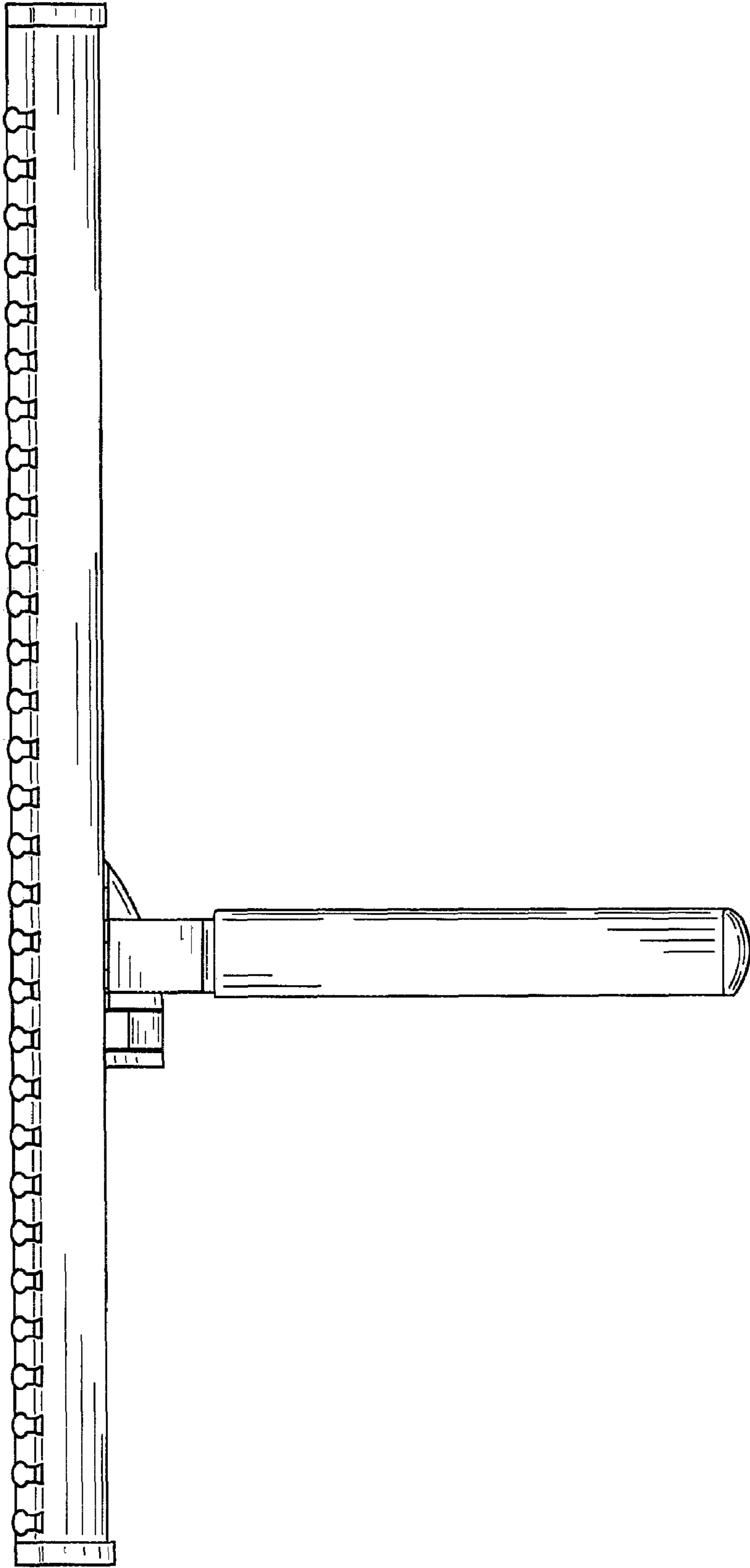


FIG. 5

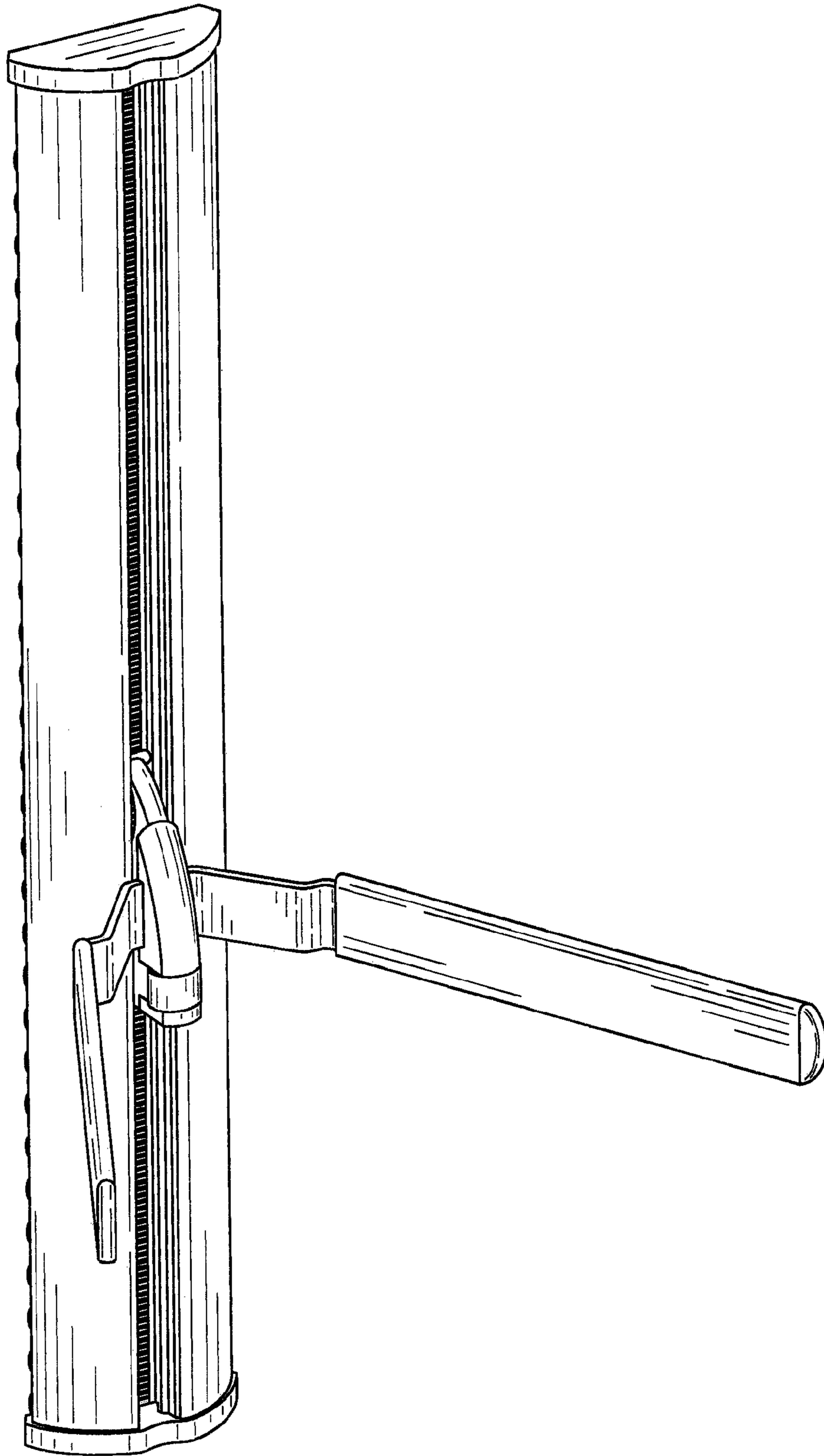


FIG. 6

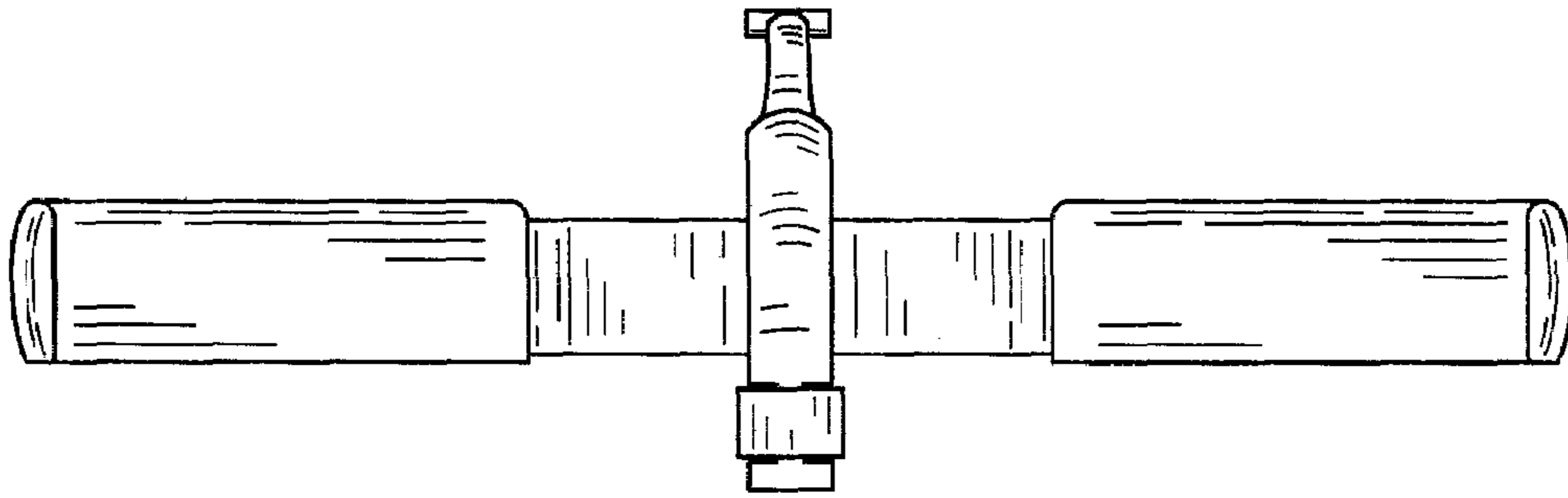


FIG. 7

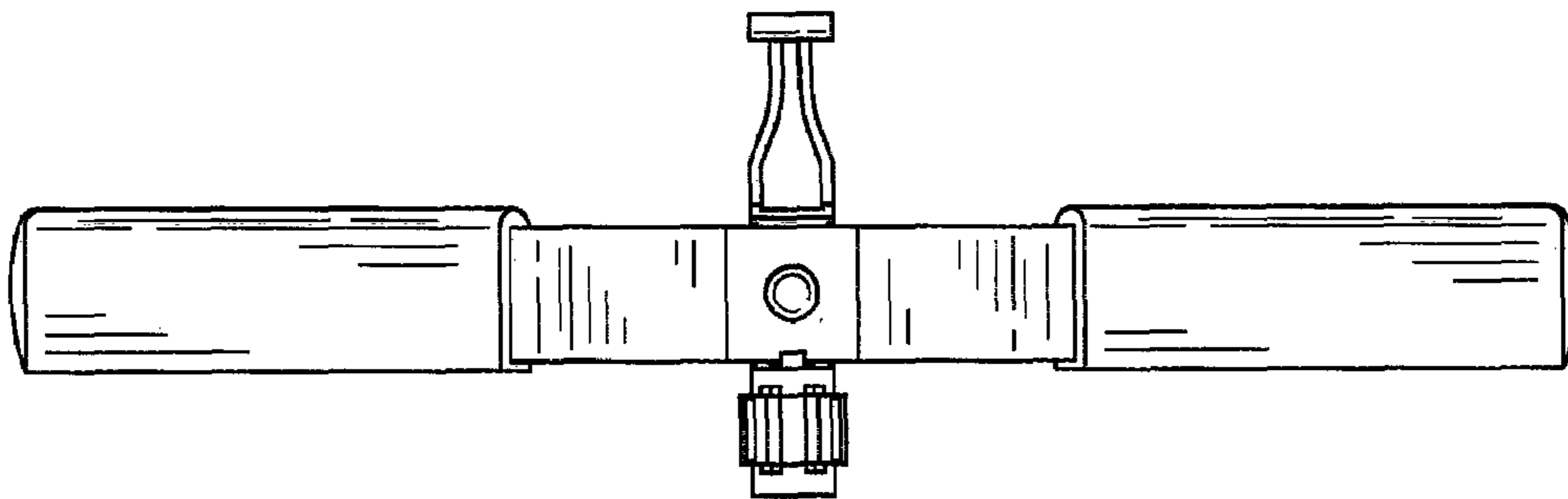


FIG. 8

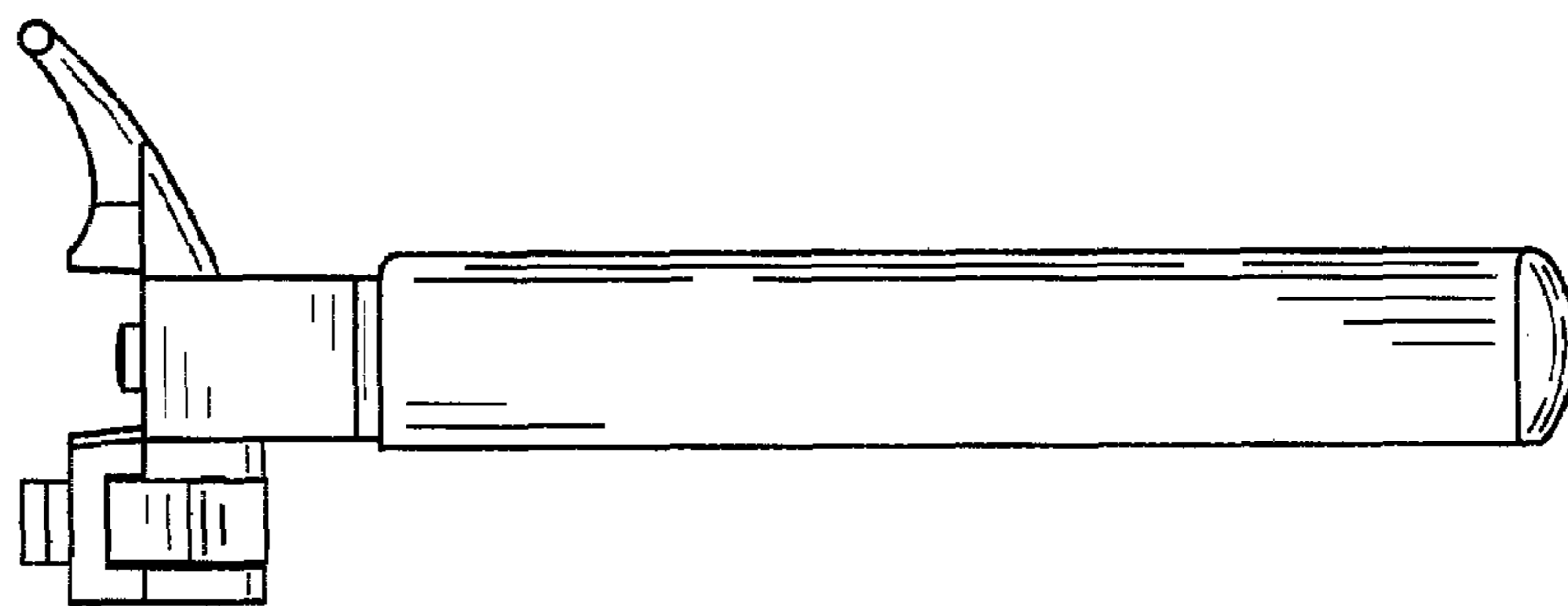


FIG. 9

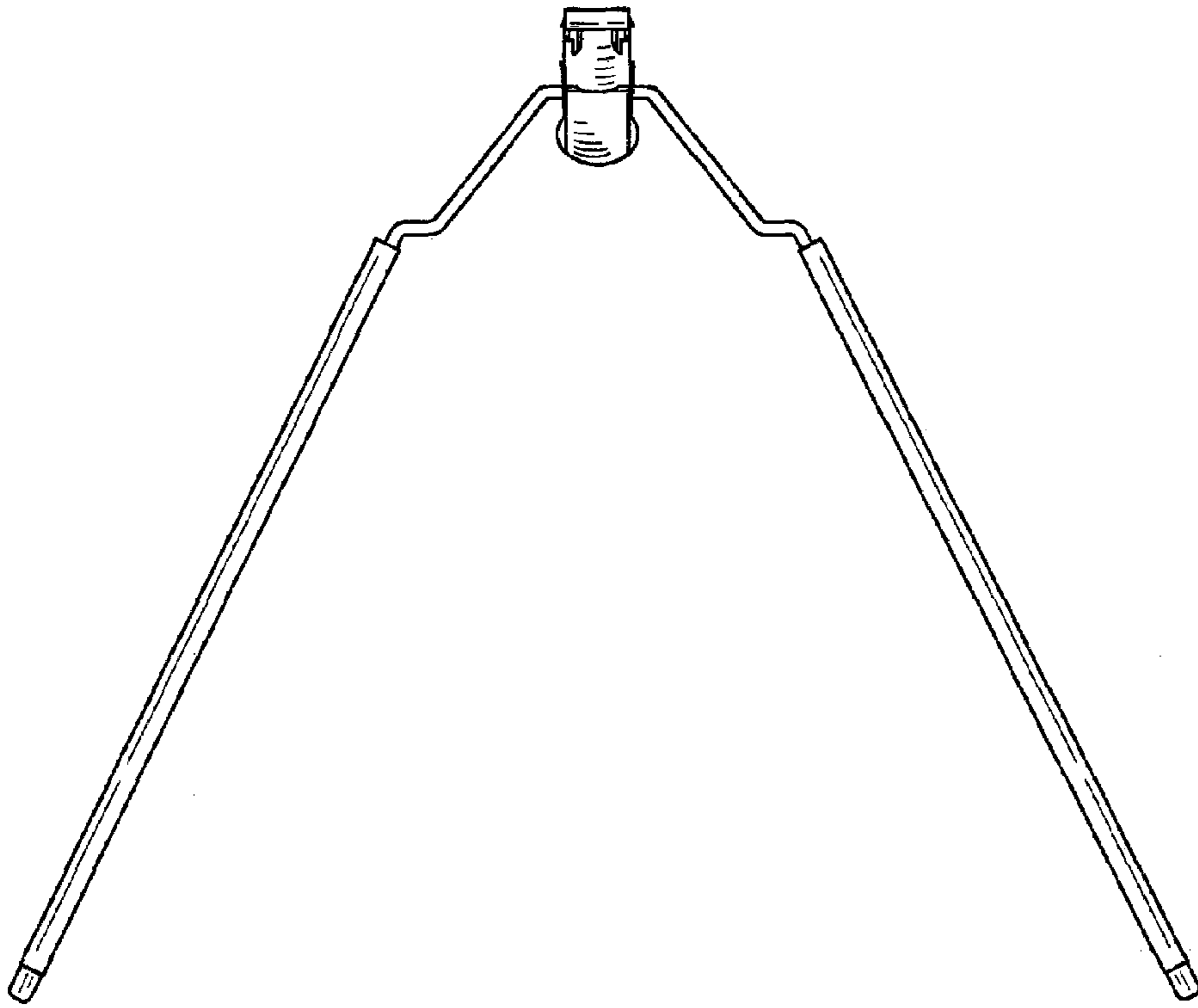


FIG. 10

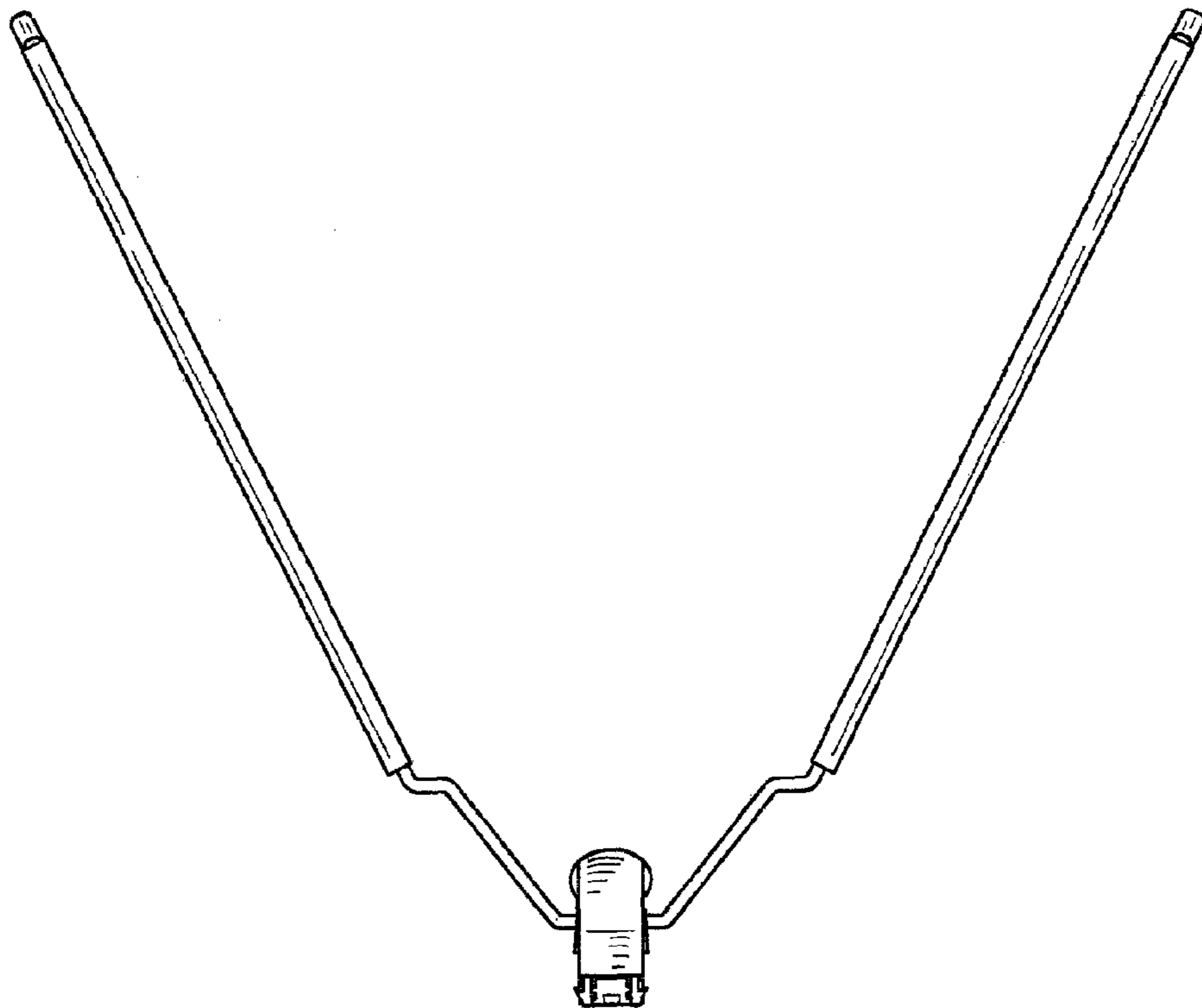


FIG. 11

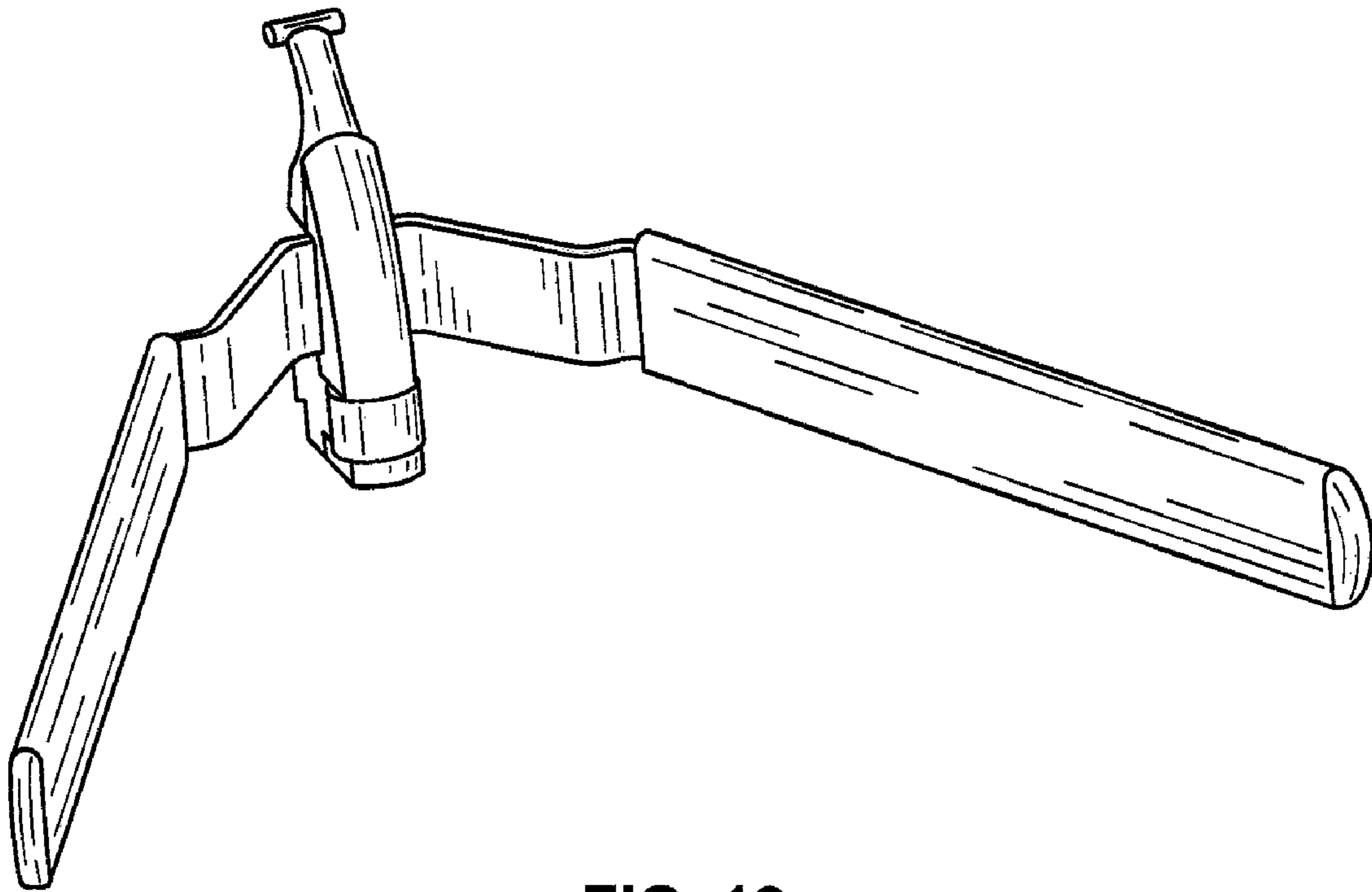


FIG. 12

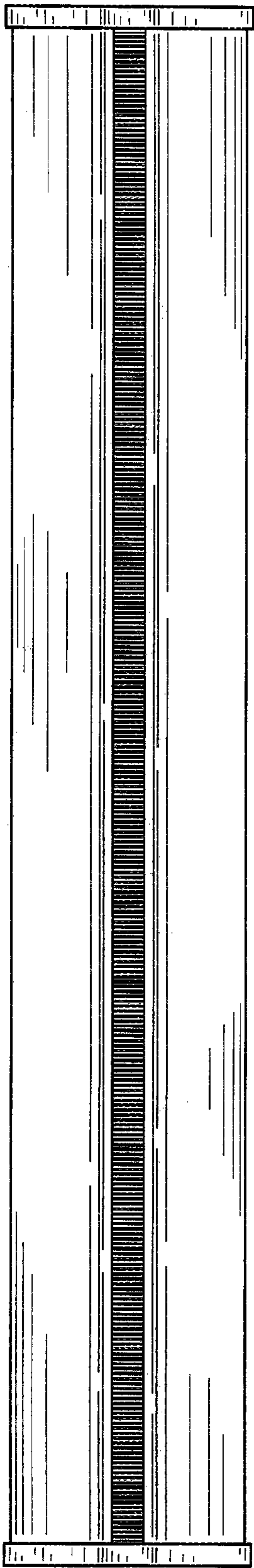


FIG. 13

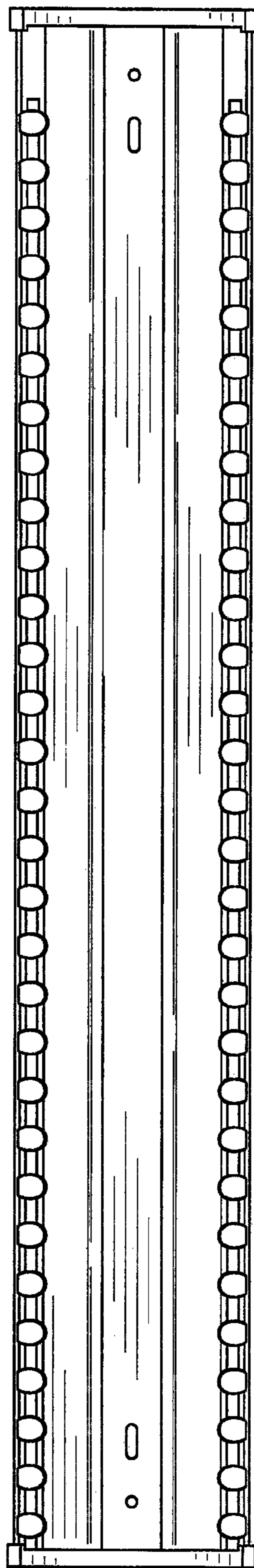


FIG. 14

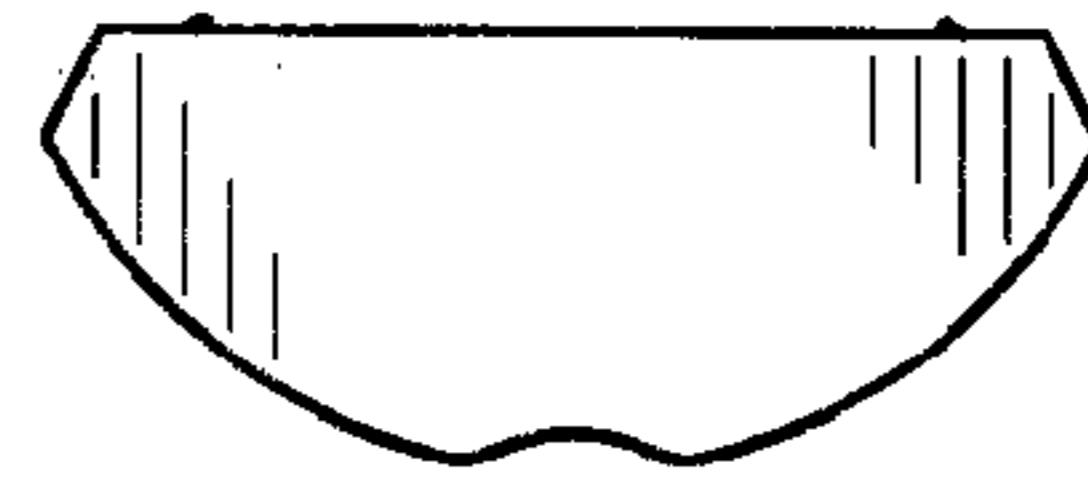


FIG. 15



FIG. 16

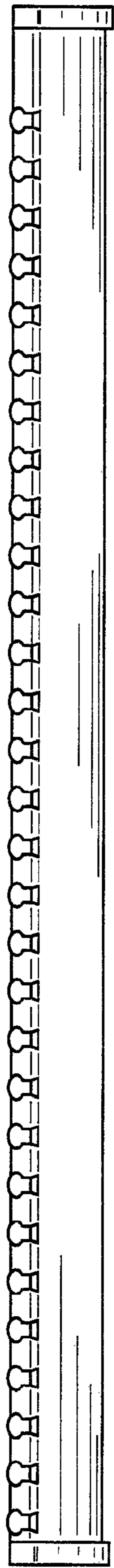


FIG. 17

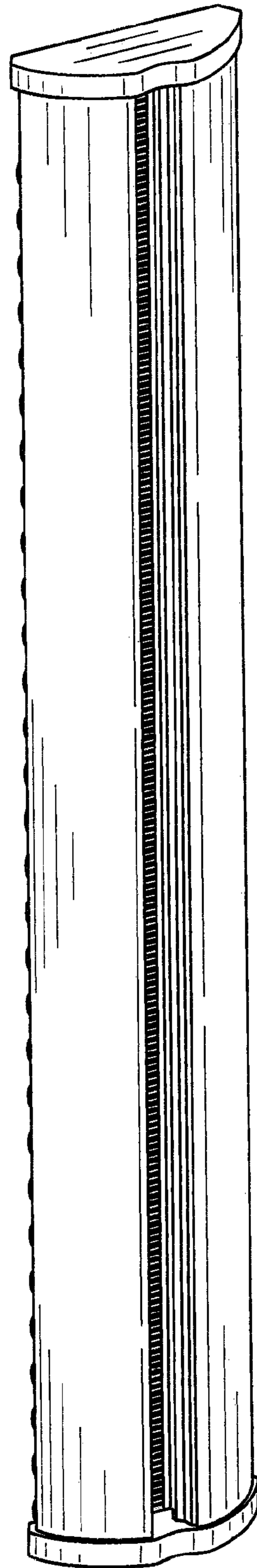


FIG. 18