



US00D603385S

(12) **United States Design Patent**  
**Kuramoto**

(10) **Patent No.:** **US D603,385 S**

(45) **Date of Patent:** **\*\* Nov. 3, 2009**

(54) **ANTENNA**

(75) **Inventor:** **Akio Kuramoto**, Minato-ku (JP)

(73) **Assignee:** **NEC Corporation**, Tokyo (JP)

(\*\*) **Term:** **14 Years**

(21) **Appl. No.:** **29/335,233**

(22) **Filed:** **Apr. 10, 2009**

(30) **Foreign Application Priority Data**

Oct. 14, 2008 (JP) ..... 2008-026398

(51) **LOC (9) Cl.** ..... **14-03**

(52) **U.S. Cl.** ..... **D14/230**

(58) **Field of Classification Search** ..... D14/138,  
D14/230-238, 299, 358, 437; D12/42, 43;  
343/700 MS, 700 R-705, 711-713, 741,  
343/748, 767, 795, 819, 840, 846, 866, 871-908;  
455/90.2, 90.3, 91, 128, 269, 344, 347, 562.1  
See application file for complete search history.

(56) **References Cited**

**U.S. PATENT DOCUMENTS**

5,563,616	A *	10/1996	Dempsey et al.	343/753
D434,752	S *	12/2000	Kudo	D14/230
6,342,866	B1 *	1/2002	Ho et al.	343/795
7,339,529	B2 *	3/2008	Martek	343/700 MS
D587,693	S *	3/2009	Ohshima	D14/230
2002/0140607	A1 *	10/2002	Zhou	343/700 MS
2003/0025638	A1 *	2/2003	Apostolos	343/702
2003/0201939	A1 *	10/2003	Reece et al.	343/700 MS
2004/0075612	A1 *	4/2004	Spiropoulos	343/702
2004/0164906	A1 *	8/2004	Shih	343/700 MS
2004/0201522	A1 *	10/2004	Forster	343/700 MS
2006/0044201	A1 *	3/2006	Arnold et al.	343/772

2006/0164310	A1 *	7/2006	Vesterinen	343/702
2007/0024506	A1 *	2/2007	Hardacker	343/700 MS
2007/0069964	A1 *	3/2007	Hoshiai et al.	343/713
2007/0171128	A1 *	7/2007	Chen	343/700 MS
2007/0279289	A1 *	12/2007	Baliarda et al.	343/700 MS
2008/0042909	A1 *	2/2008	Puente Baliarda et al.	343/702
2008/0211720	A1 *	9/2008	Hansen	343/700 MS
2008/0278376	A1 *	11/2008	Lee	343/700 MS
2009/0085810	A1 *	4/2009	Soler Castany et al.	343/700 MS
2009/0121966	A1 *	5/2009	Song et al.	343/893
2009/0128415	A1 *	5/2009	Song et al.	343/700 MS

\* cited by examiner

*Primary Examiner*—T. Chase Nelson

*Assistant Examiner*—John Windmuller

(74) *Attorney, Agent, or Firm*—Sughrue Mion, PLLC

(57) **CLAIM**

The ornamental design for an antenna, as shown and described.

**DESCRIPTION**

FIG. 1 is a perspective view of the antenna showing my new design;

FIG. 2 is a top view thereof;

FIG. 3 is a left side view thereof;

FIG. 4 is a right side view thereof;

FIG. 5 is a front view thereof; and

FIG. 6 is a rear view thereof; and,

FIG. 7 is a bottom view thereof.

The broken lines depict environmental structure that forms no part of the claimed design.

**1 Claim, 5 Drawing Sheets**

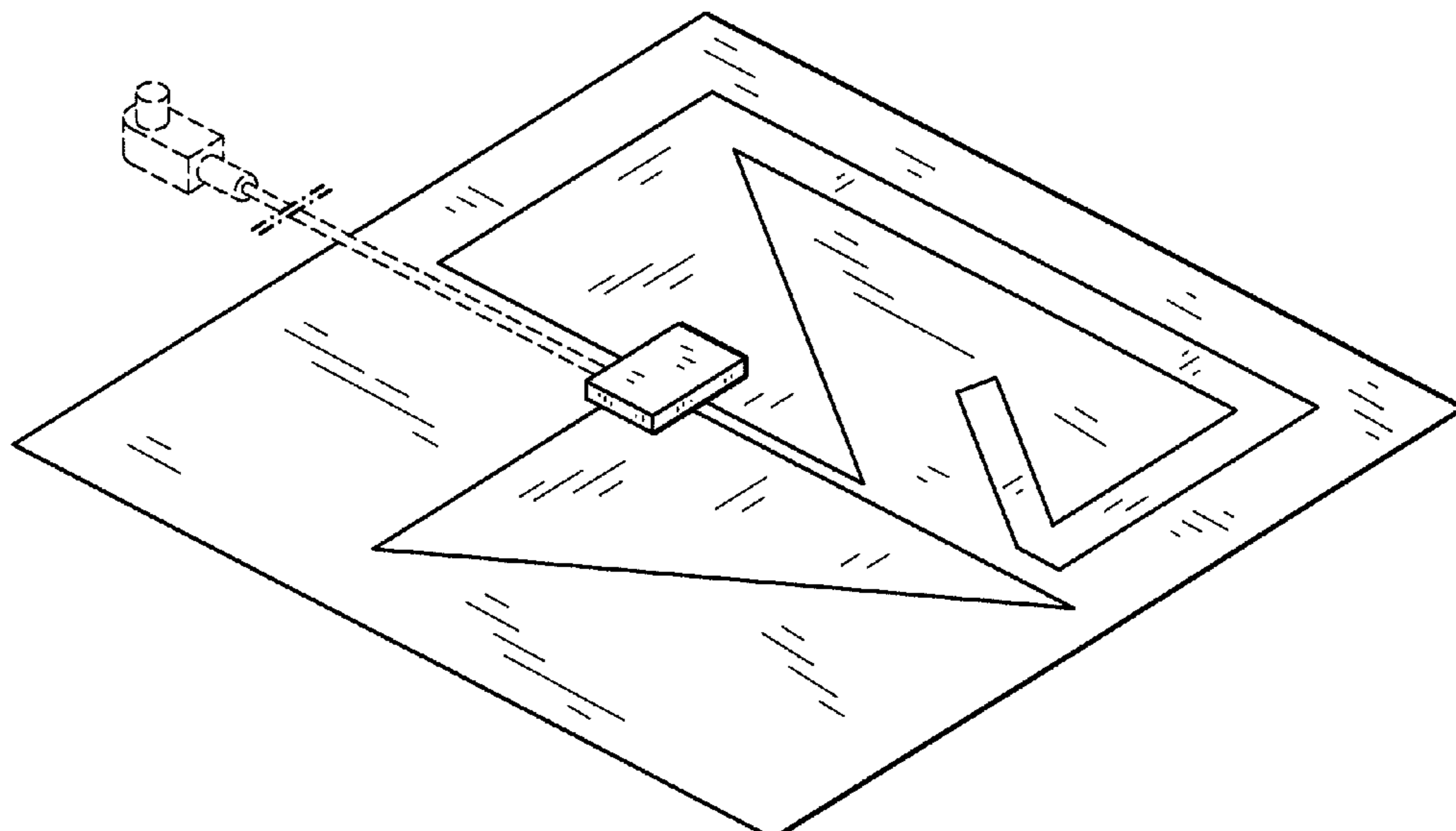


FIG. 1

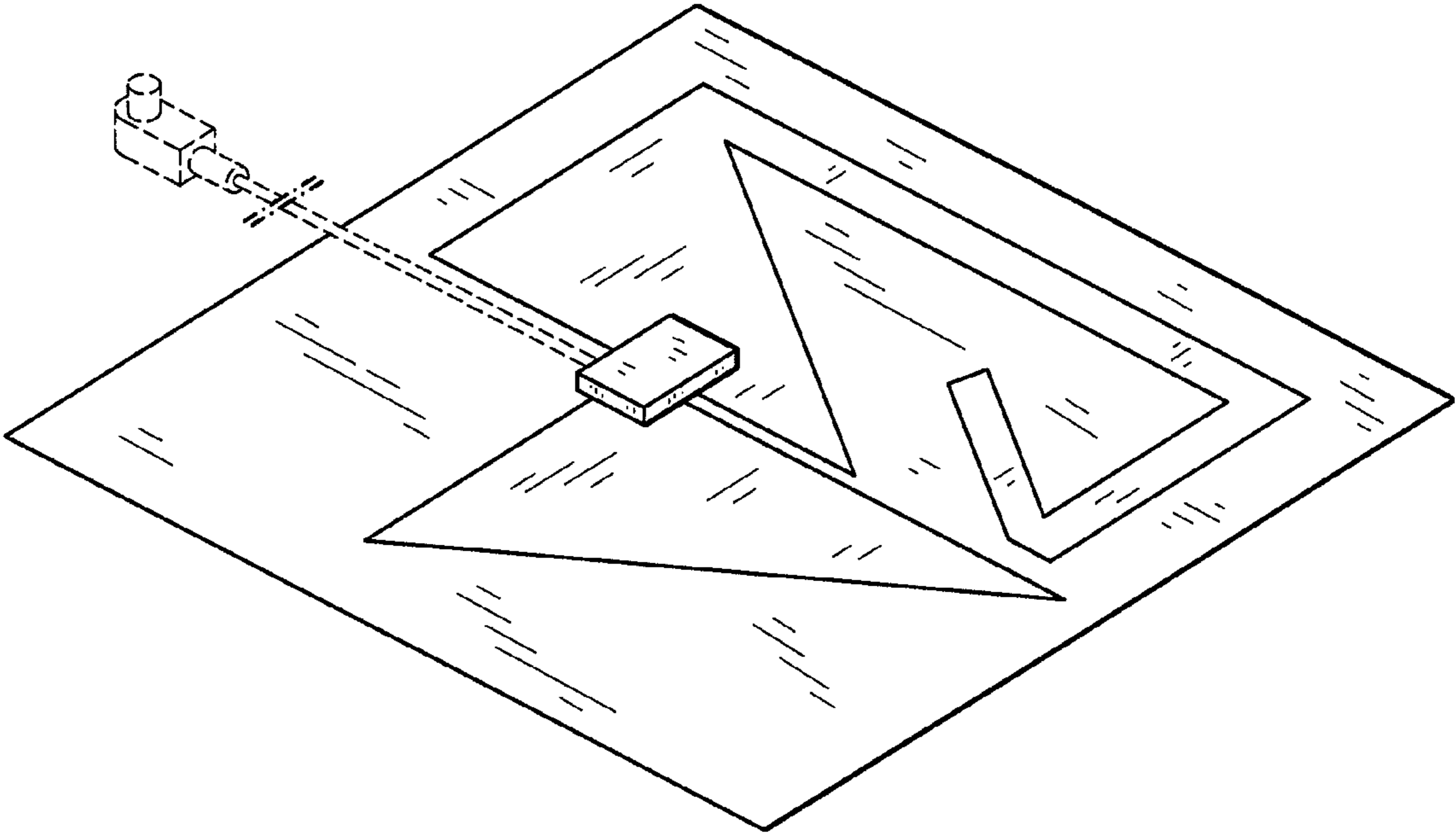


FIG. 2

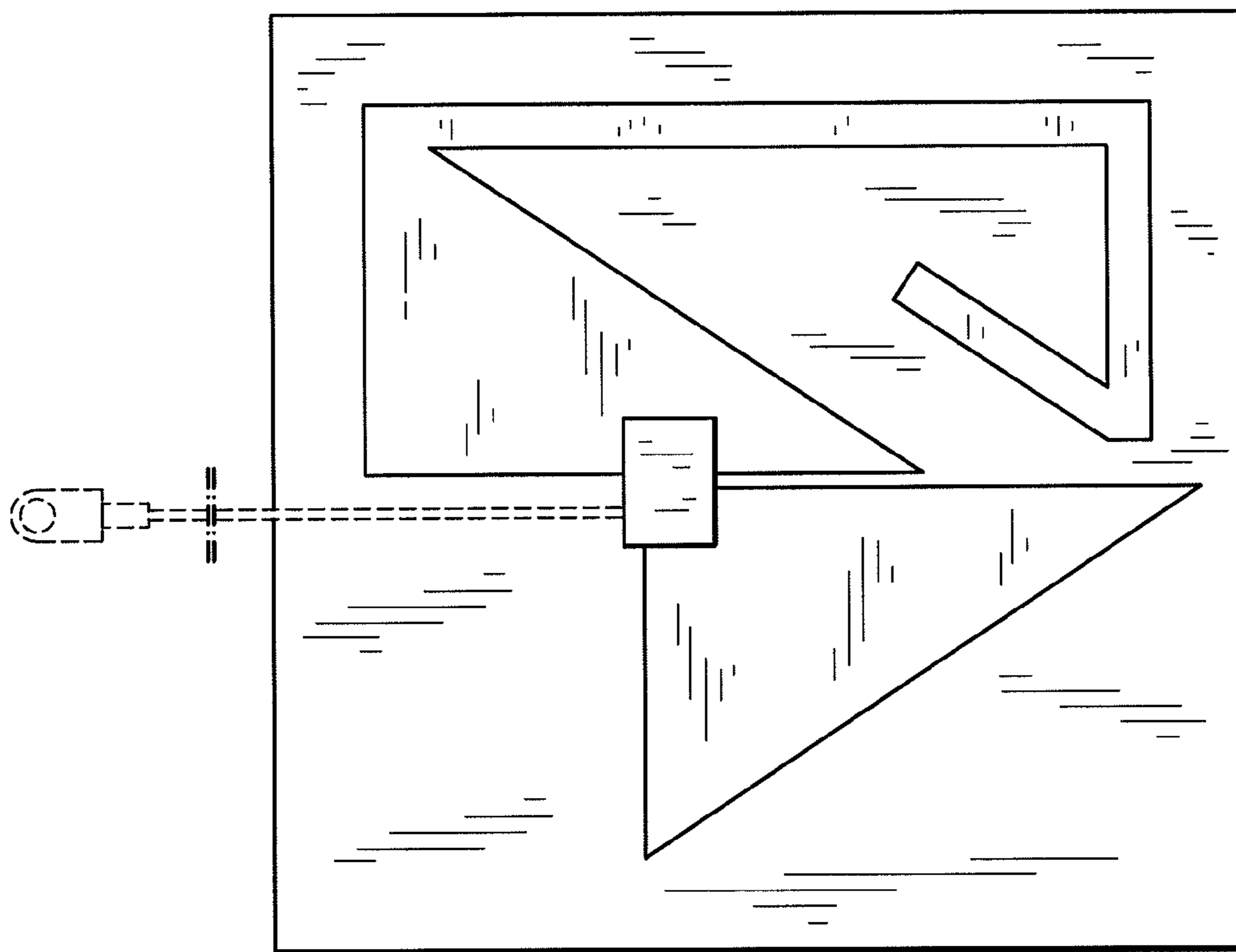


FIG. 3

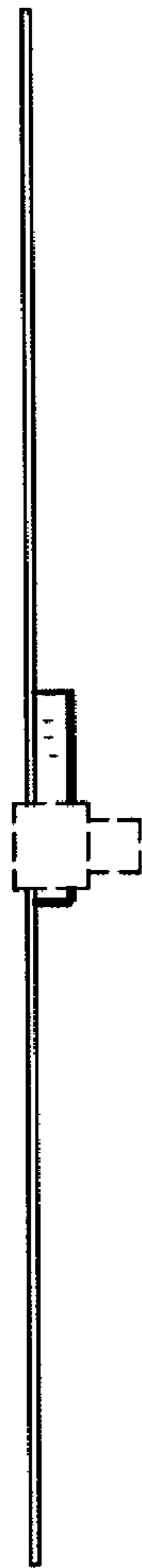


FIG. 4



FIG. 5



FIG. 6

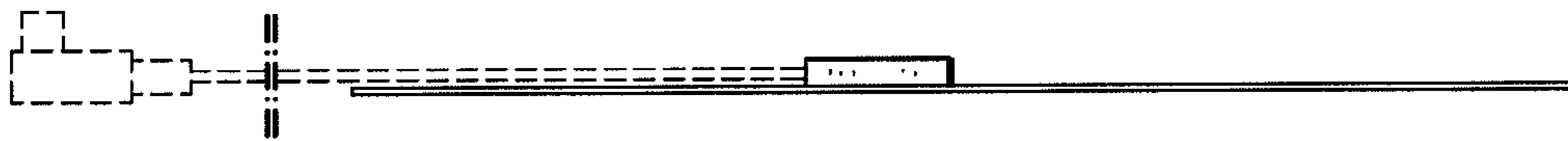


FIG. 7

