



US00D603382S

(12) **United States Design Patent**
Takisawa et al.

(10) **Patent No.:** **US D603,382 S**
(45) **Date of Patent:** **** Nov. 3, 2009**

(54) **ANTENNA**

(75) Inventors: **Hisashi Takisawa**, Katagami (JP);
Toshiaki Aizawa, Katagami (JP);
Junichi Noro, Katagami (JP); **Takao**
Kato, Katagami (JP)

(73) Assignee: **Mitsumi Electric Co., Ltd**, Tokyo (JP)

(**) Term: **14 Years**

(21) Appl. No.: **29/317,661**

(22) Filed: **May 5, 2008**

(30) **Foreign Application Priority Data**

Nov. 8, 2007 (JP) 2007-030901
Nov. 8, 2007 (JP) 2007-030912

(51) **LOC (9) Cl.** **14-03**

(52) **U.S. Cl.** **D14/230**

(58) **Field of Classification Search** D14/138,
D14/230-238, 299, 358; D12/42, 43; 343/700 MS,
343/700 R-705, 711-713, 741, 748, 767,
343/795, 819, 840, 846, 866, 871-908; 455/90.2,
455/90.3, 91, 128, 269, 344, 347, 562.1
See application file for complete search history.

(56) **References Cited**

U.S. PATENT DOCUMENTS

D531,173 S * 10/2006 Aizawa et al. D14/230
2003/0001788 A1* 1/2003 Fujiwara 343/702
2003/0210192 A1* 11/2003 Chen 343/702
2005/0122268 A1* 6/2005 Suzuki 343/702
2006/0097922 A1* 5/2006 Mahmoud 343/700 MS
2006/0145926 A1* 7/2006 Choi et al. 343/700 MS
2007/0210972 A1* 9/2007 Robin et al. 343/705
2007/0257845 A1* 11/2007 Wong 343/700 MS
2009/0009409 A1* 1/2009 Li et al. 343/702

OTHER PUBLICATIONS

U.S. Appl. No. 29/317,662, filed May 5, 2008, Hisashi Takisawa.
U.S. Appl. No. 29/317,664, filed May 5, 2008, Hisashi Takisawa.
U.S. Appl. No. 29/317,668, filed May 5, 2008, Hisashi Takisawa.
U.S. Appl. No. 29/317,672, filed May 5, 2008, Hisashi Takisawa.

* cited by examiner

Primary Examiner—T. Chase Nelson
Assistant Examiner—John Windmuller

(74) *Attorney, Agent, or Firm*—Sughrue Mion, PLLC

(57) **CLAIM**

The ornamental design for a antenna, as shown and described.

DESCRIPTION

FIG. 1 is a top perspective view of the antenna according to the invention;

FIG. 2 is a first end view thereof;

FIG. 3 is a second end view thereof;

FIG. 4 is a first side view thereof;

FIG. 5 is a second side view thereof;

FIG. 6 is a top plan view thereof;

FIG. 7 is a bottom plan view thereof;

FIG. 8 is a bottom perspective view thereof;

FIG. 9 is a top perspective view of an antenna according to another embodiment of the invention;

FIG. 10 is a first end view thereof;

FIG. 11 is a second end view thereof;

FIG. 12 is a first side view thereof;

FIG. 13 is a second side view thereof;

FIG. 14 is a top plan view thereof;

FIG. 15 is a bottom plan view thereof; and,

FIG. 16 is a bottom perspective view thereof.

1 Claim, 10 Drawing Sheets

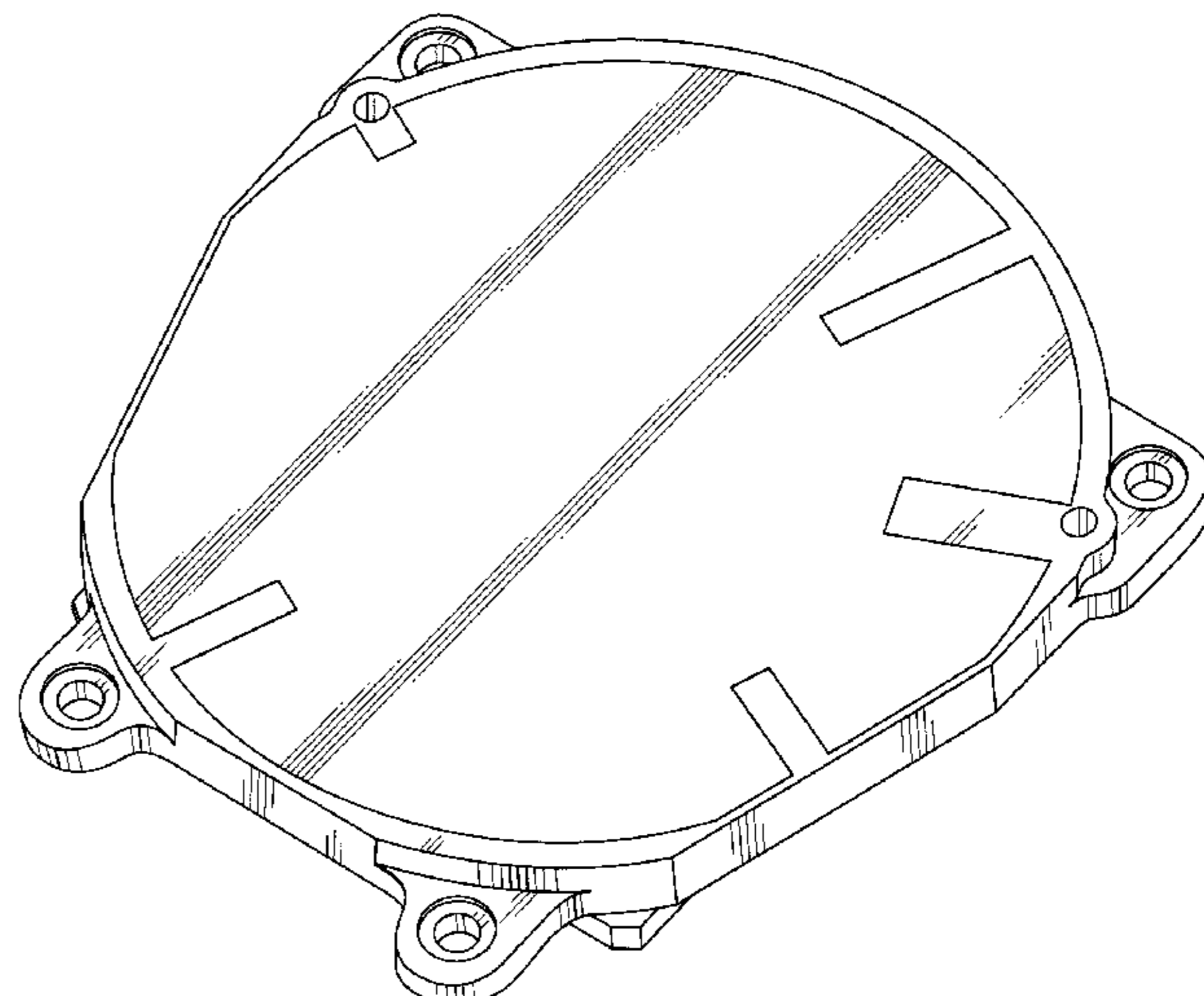
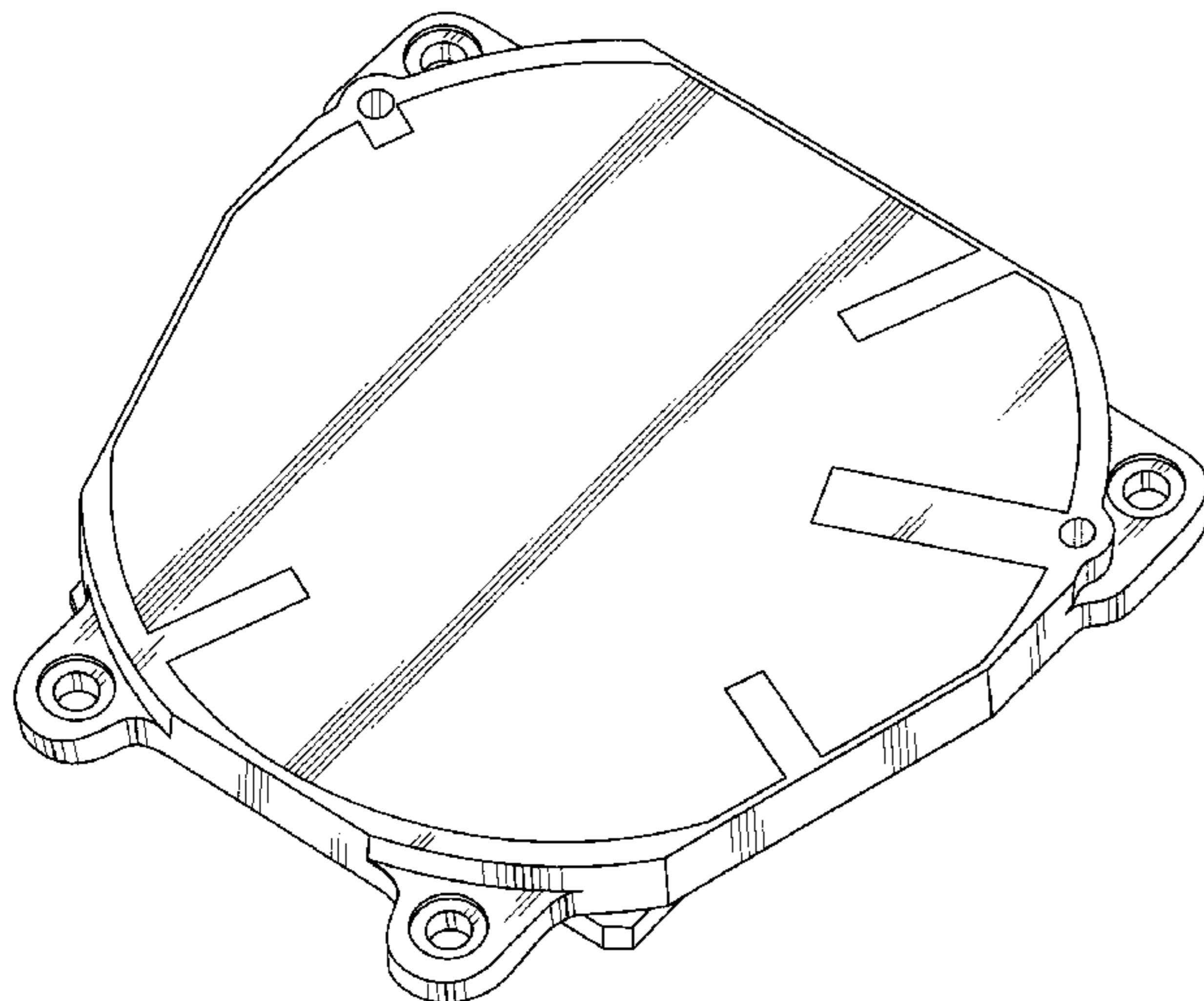


FIG.1

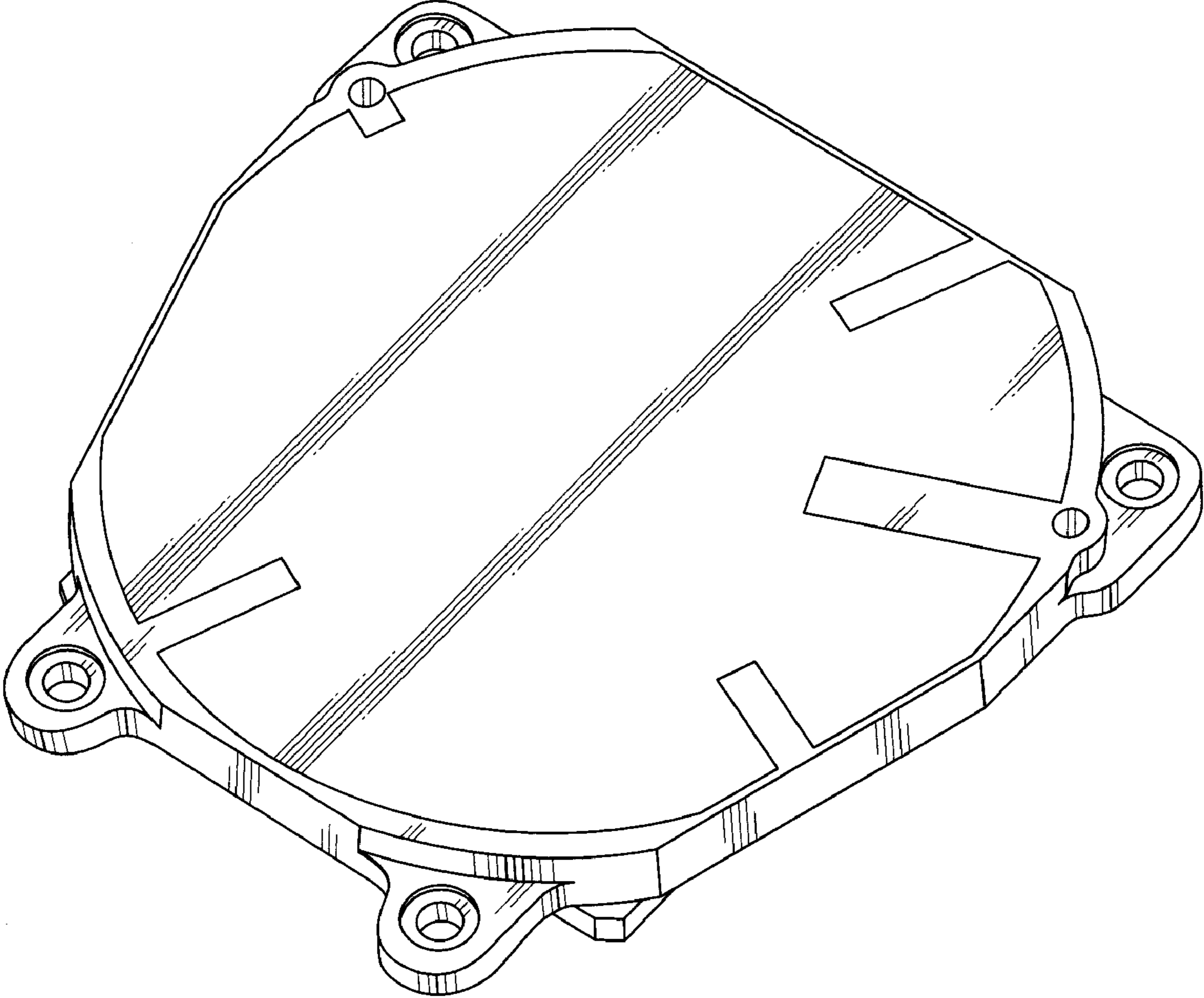


FIG.2

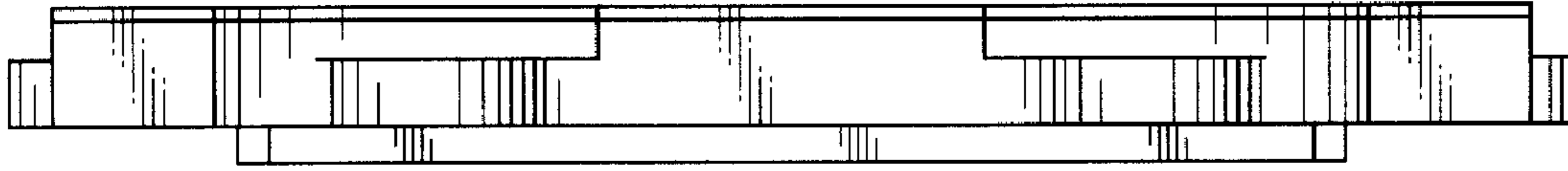


FIG.3



FIG.4

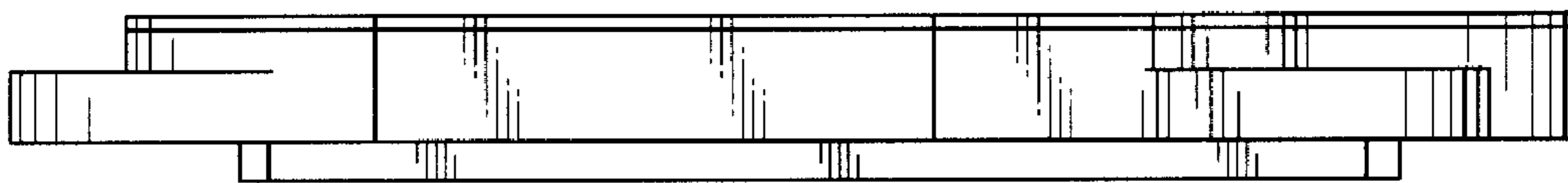


FIG.5

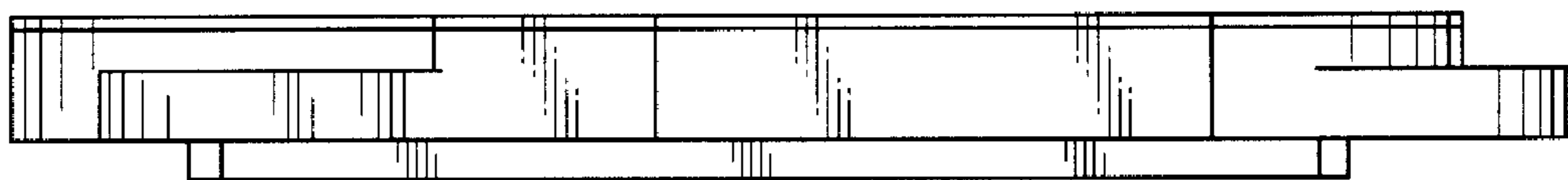


FIG.6

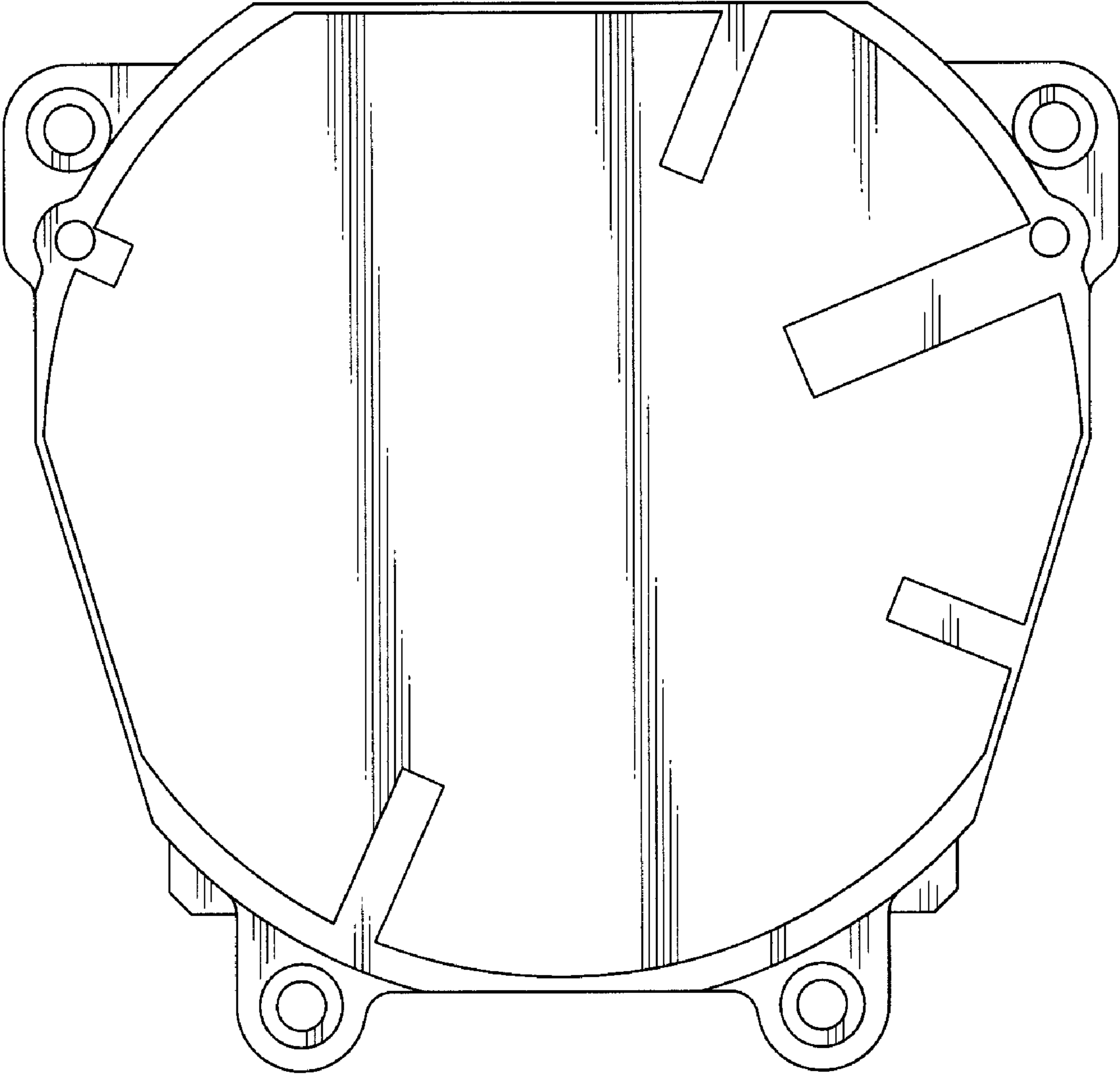


FIG. 7

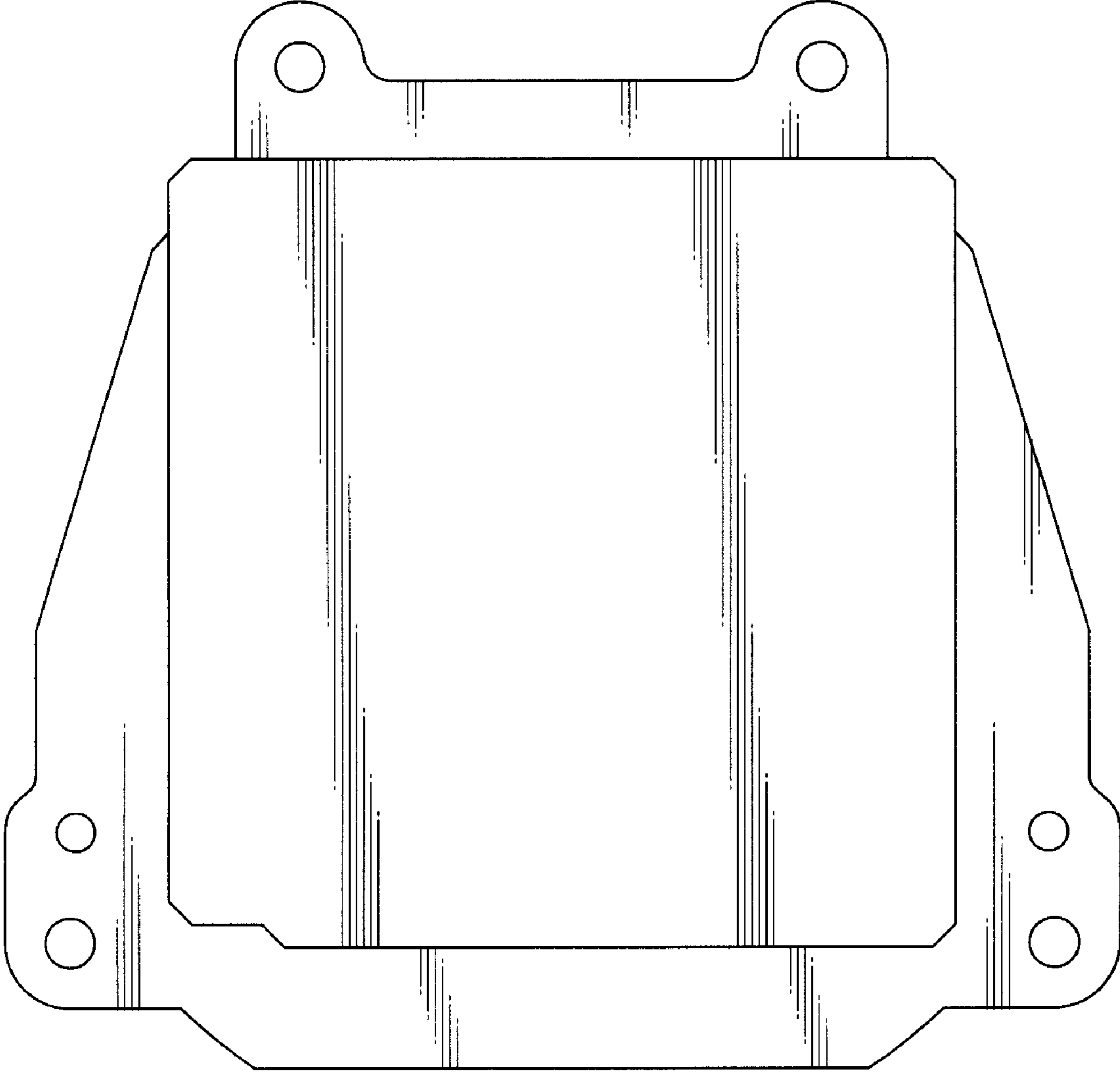


FIG.8

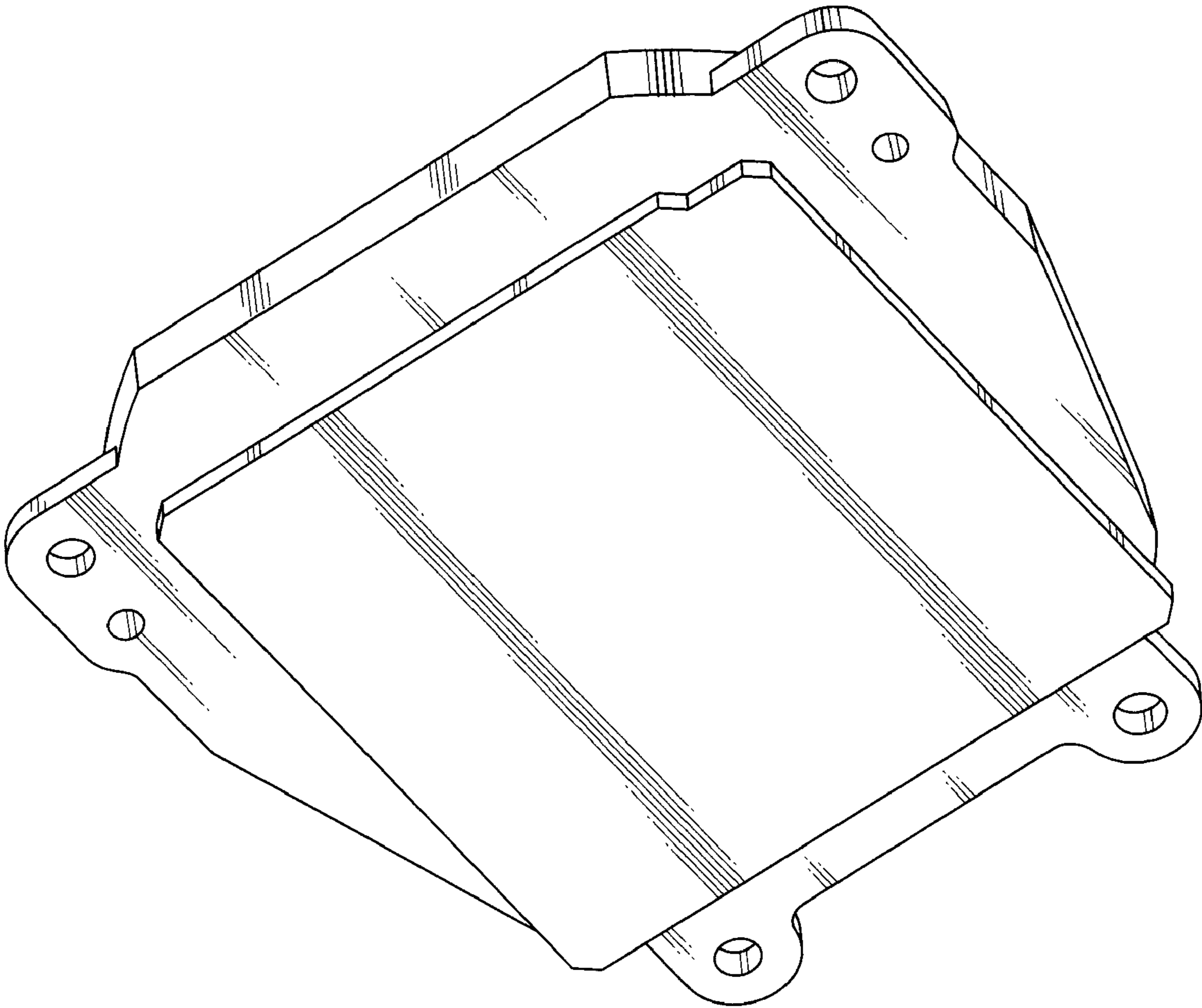


FIG.9

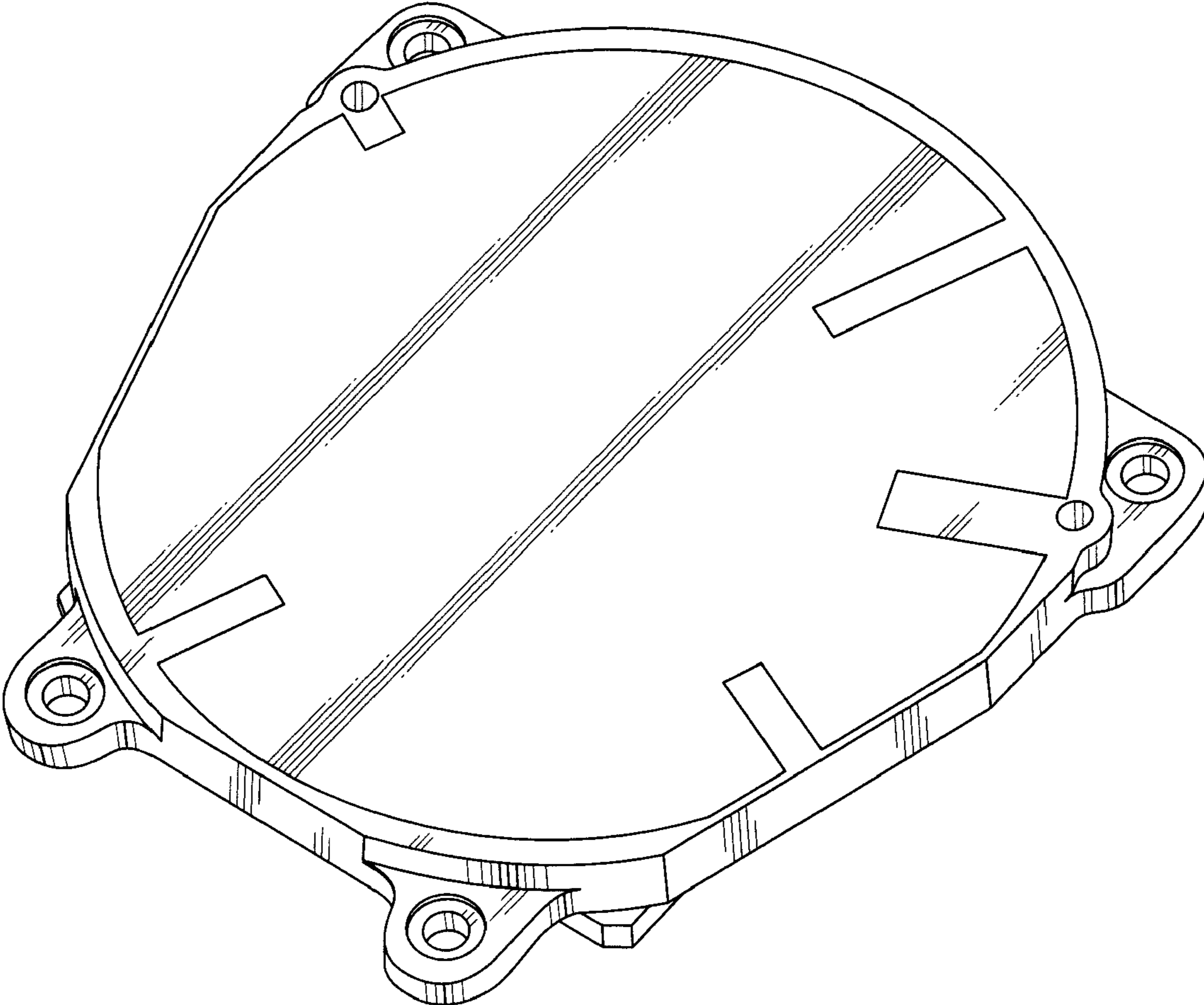


FIG.10

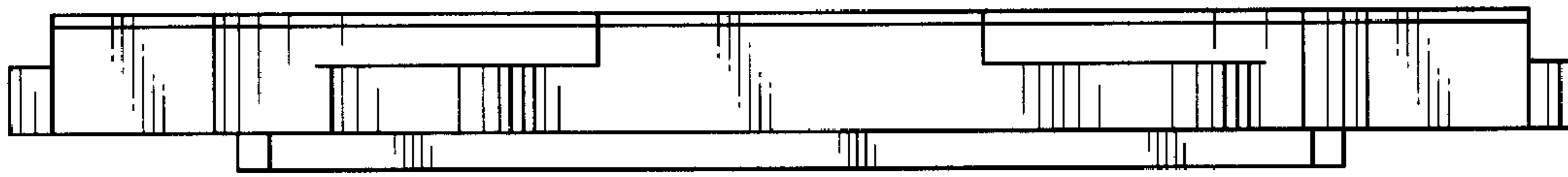


FIG.11



FIG.12

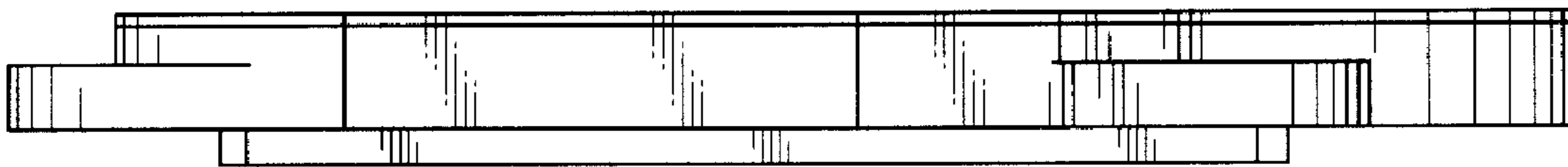


FIG.13



FIG.14

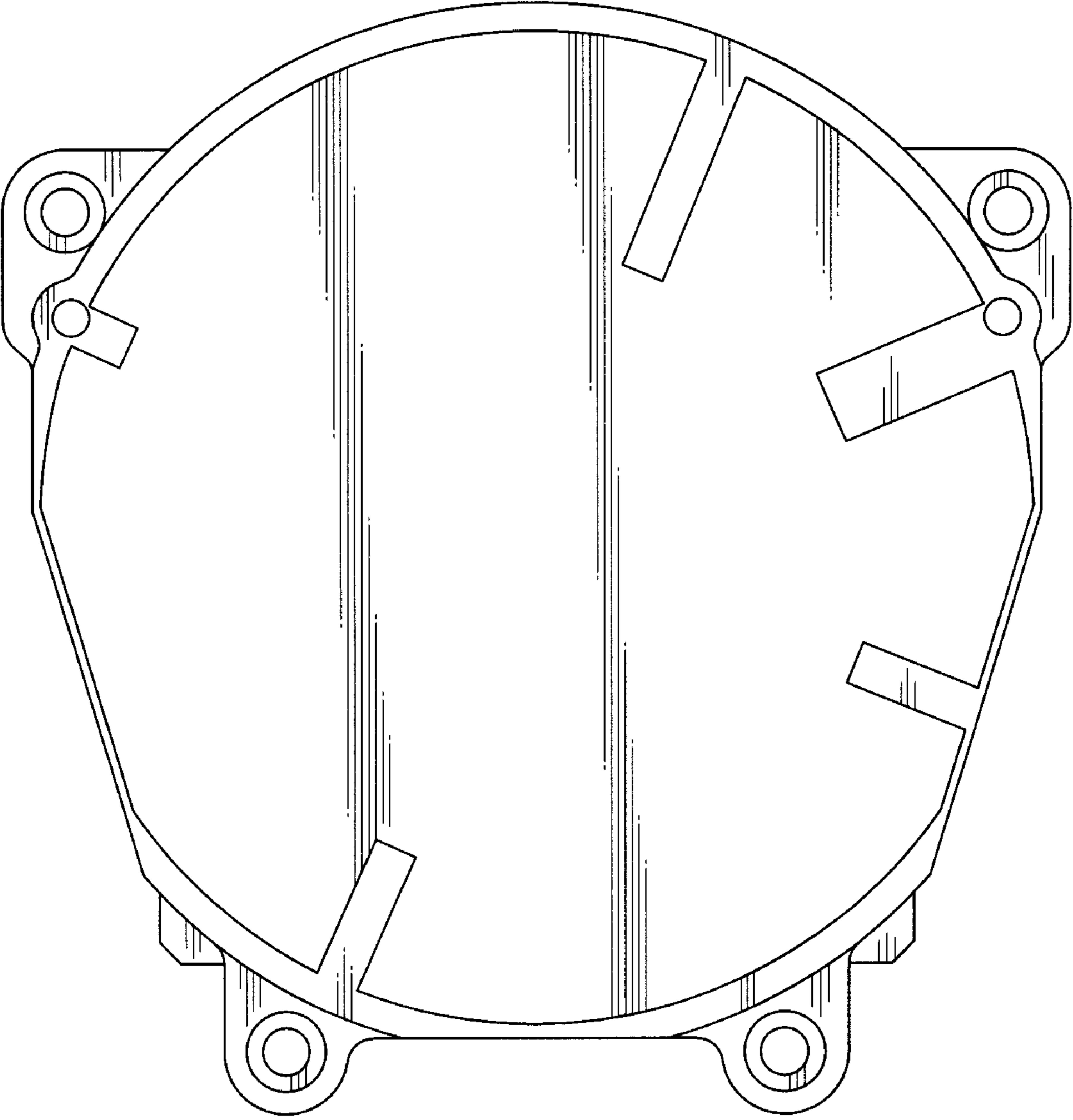


FIG.15

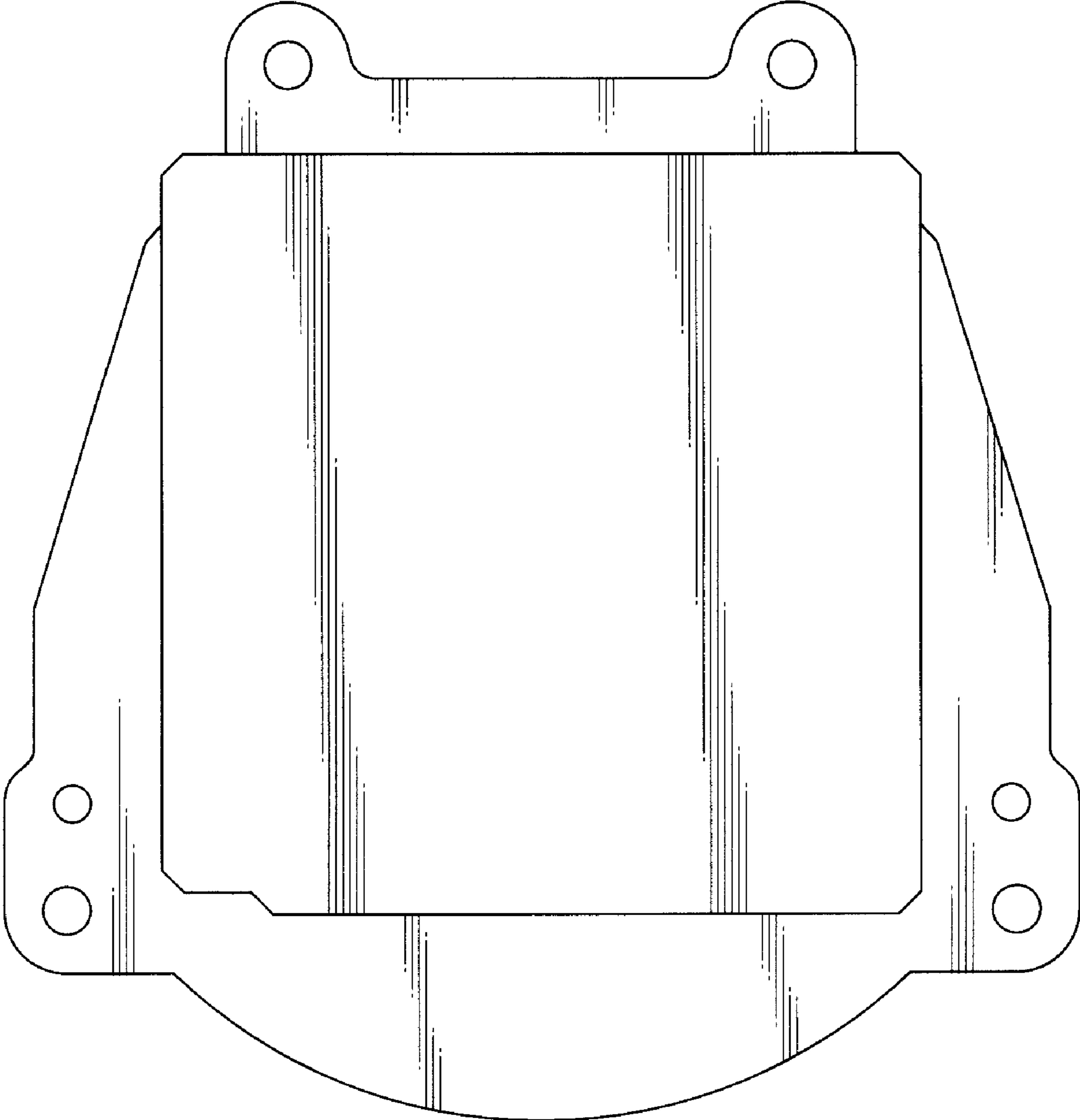


FIG.16

