



US00D603379S

(12) **United States Design Patent**
Harbeke et al.

(10) **Patent No.:** **US D603,379 S**

(45) **Date of Patent:** **** Nov. 3, 2009**

(54) **EARPHONES**

D582,897 S * 12/2008 Christopher et al. D14/223

(75) Inventors: **Christian Harbeke**, Zurich (CH); **Peter Boschung**, Schmitten (CH); **Mihaela Grigorie**, Muntelier (CH); **Christian Scholz**, Zurich (CH)

* cited by examiner

Primary Examiner—Paula Greene

(74) *Attorney, Agent, or Firm*—Rankin, Hill & Clark LLP

(73) Assignee: **Phonak AG**, Stäfa (CH)

(57) **CLAIM**

(**) Term: **14 Years**

The ornamental design for earphones, as shown and described.

(21) Appl. No.: **29/328,135**

DESCRIPTION

(22) Filed: **Nov. 19, 2008**

FIG. 1 is a top view of a first embodiment of an earphone embodying our design;

(51) **LOC (9) Cl.** **14-01**

FIG. 2 is a left side elevational view of the earphone shown in FIG. 1;

(52) **U.S. Cl.** **D14/223**

FIG. 3 is a rear view of the earphone shown in FIG. 1;

(58) **Field of Classification Search** D14/205,
D14/206, 223, 225, 226; 181/129, 130, 135;
379/430, 433.1, 433.3; 381/380, 381; 455/575.1,
455/569.2; D24/174

FIG. 4 is a right side elevational view of the earphone shown in FIG. 1;

See application file for complete search history.

FIG. 5 is a bottom view of the earphone shown in FIG. 1;

FIG. 6 is a front view of the earphone shown in FIG. 1;

(56) **References Cited**

U.S. PATENT DOCUMENTS

3,197,577	A *	7/1965	Kuklock	381/328
4,554,993	A *	11/1985	Houng	181/130
4,588,867	A *	5/1986	Konomi	379/430
4,602,642	A *	7/1986	O'Hara et al.	600/474
4,880,076	A *	11/1989	Ahlberg et al.	181/130
D351,392	S *	10/1994	Bridges	D14/226
D374,874	S *	10/1996	Lindeman et al.	D14/225
D377,796	S *	2/1997	Hayashi	D14/206
D514,551	S *	2/2006	Lee et al.	D14/223
D516,058	S *	2/2006	Garcia	D14/205
D517,054	S *	3/2006	Yang	D14/223
7,079,664	B2 *	7/2006	Nassimi	381/380
7,212,646	B2 *	5/2007	Nassimi	381/380
D550,200	S *	9/2007	Drambarean et al.	D14/205
D550,201	S *	9/2007	Drambarean et al.	D14/205
D559,836	S *	1/2008	Lee	D14/223
7,349,550	B2 *	3/2008	Oliveira et al.	381/380
D575,277	S *	8/2008	Garde et al.	D14/223
D579,006	S *	10/2008	Kim et al.	D14/223
D579,923	S *	11/2008	Andre et al.	D14/223
D581,396	S *	11/2008	Wikel et al.	D14/206

FIG. 7 is a first perspective view of the earphone shown in FIG. 1; and

FIG. 8 is a second perspective view of the earphone shown in FIG. 1.

FIG. 9 is a top view of a second embodiment of an earphone embodying our design;

FIG. 10 is a left side elevational view of the earphone shown in FIG. 9;

FIG. 11 is a rear view of the earphone shown in FIG. 9;

FIG. 12 is a right side elevational view of the earphone shown in FIG. 9;

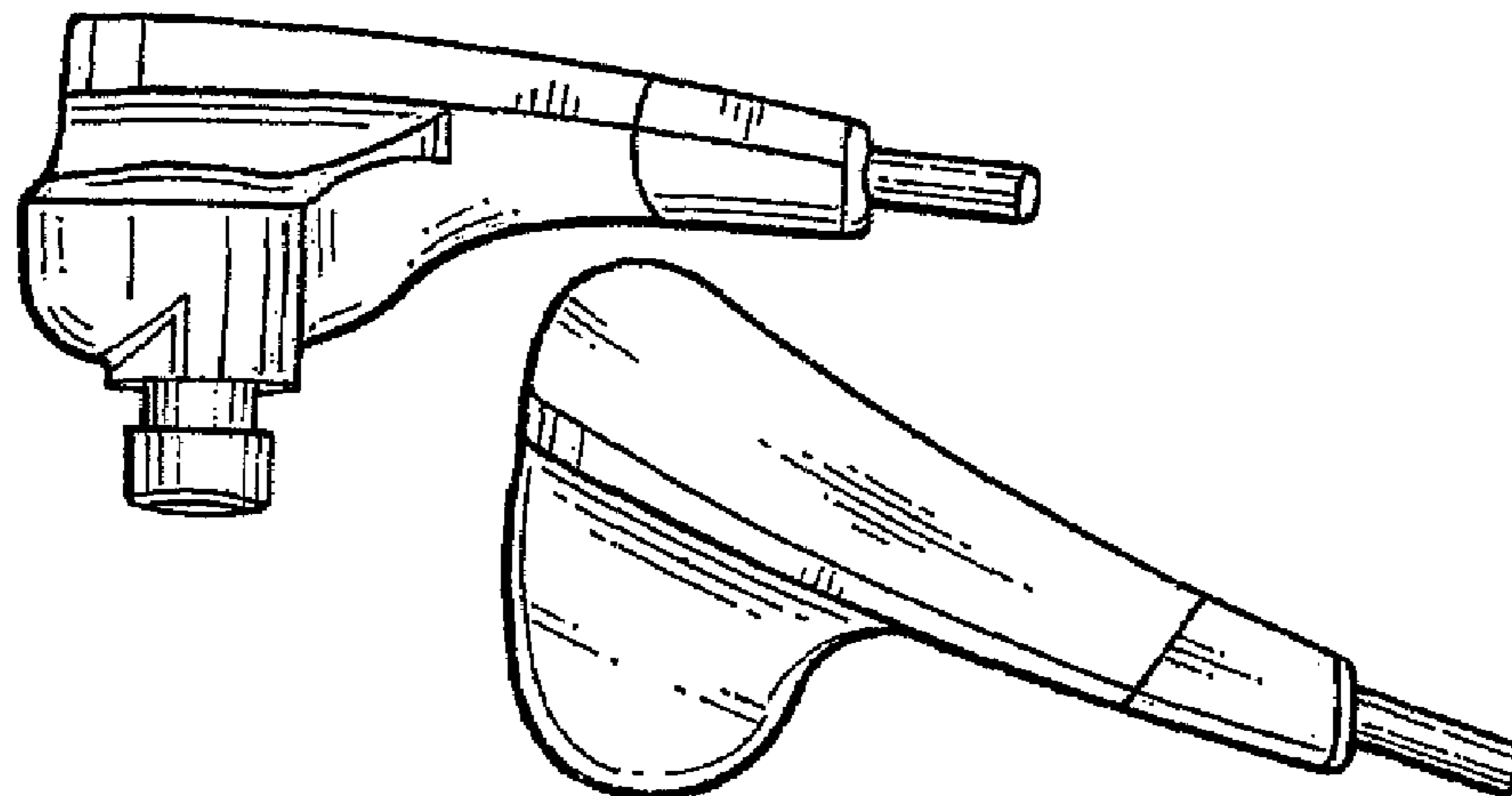
FIG. 13 is a bottom view of the earphone shown in FIG. 9;

FIG. 14 is a front view of the earphone shown in FIG. 9;

FIG. 15 is a first perspective view of the earphone shown in FIG. 9; and,

FIG. 16 is a second perspective view of the earphone shown in FIG. 9.

1 Claim, 2 Drawing Sheets



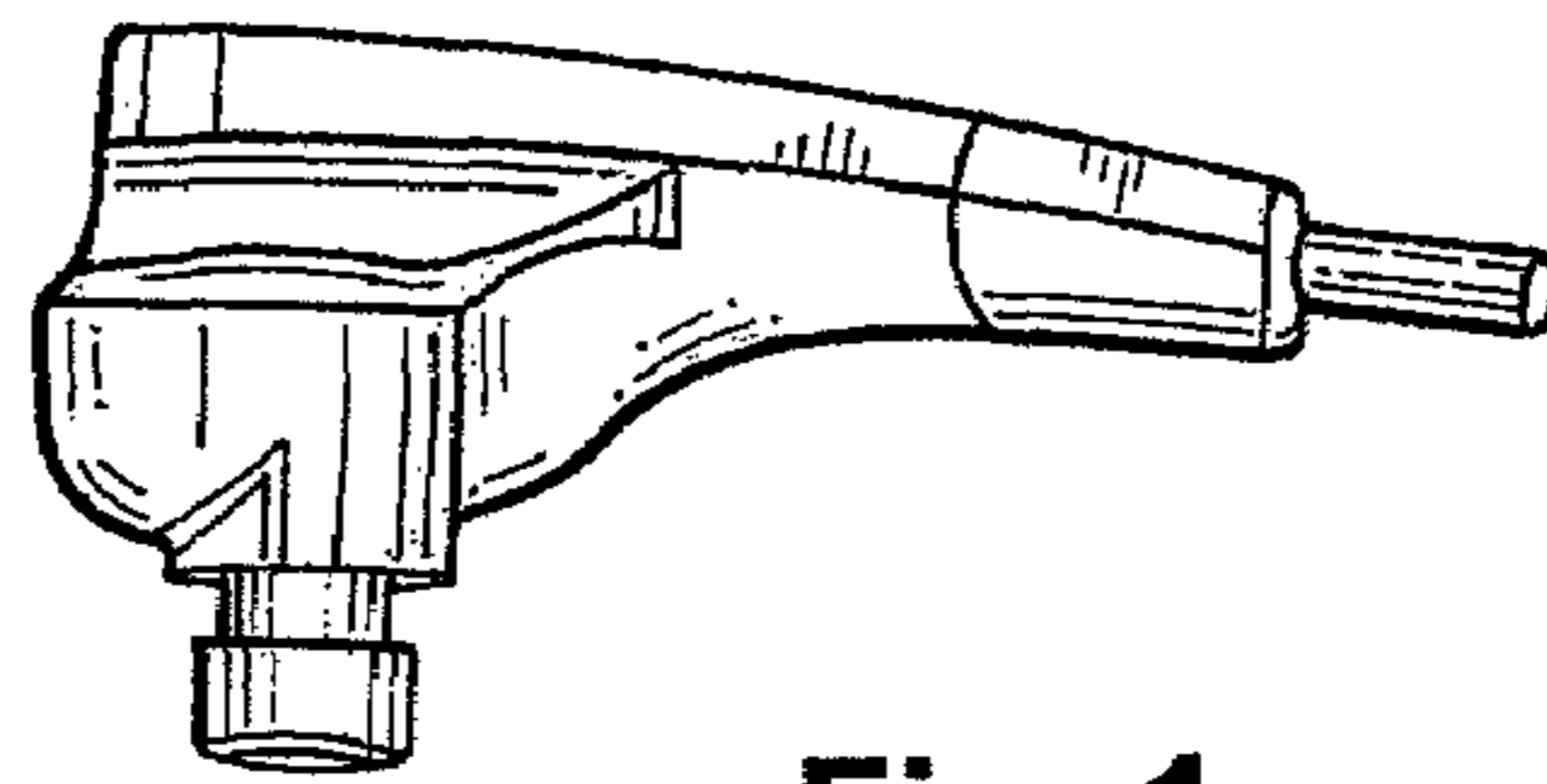


Fig. 1

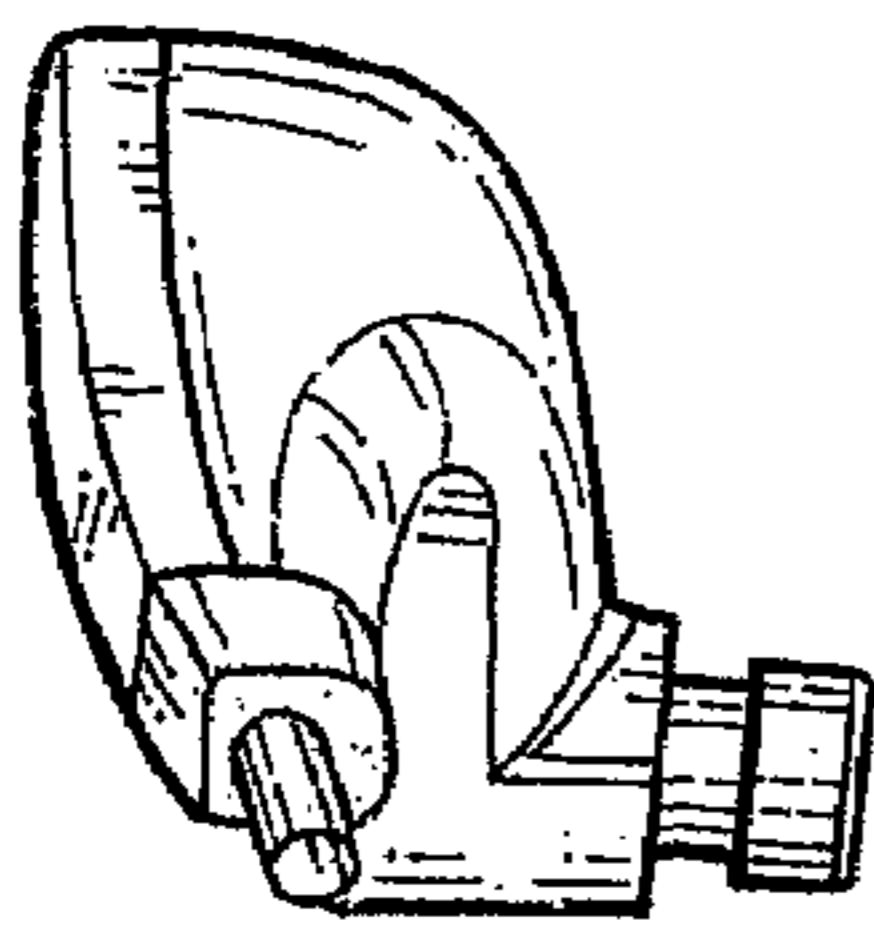


Fig. 2

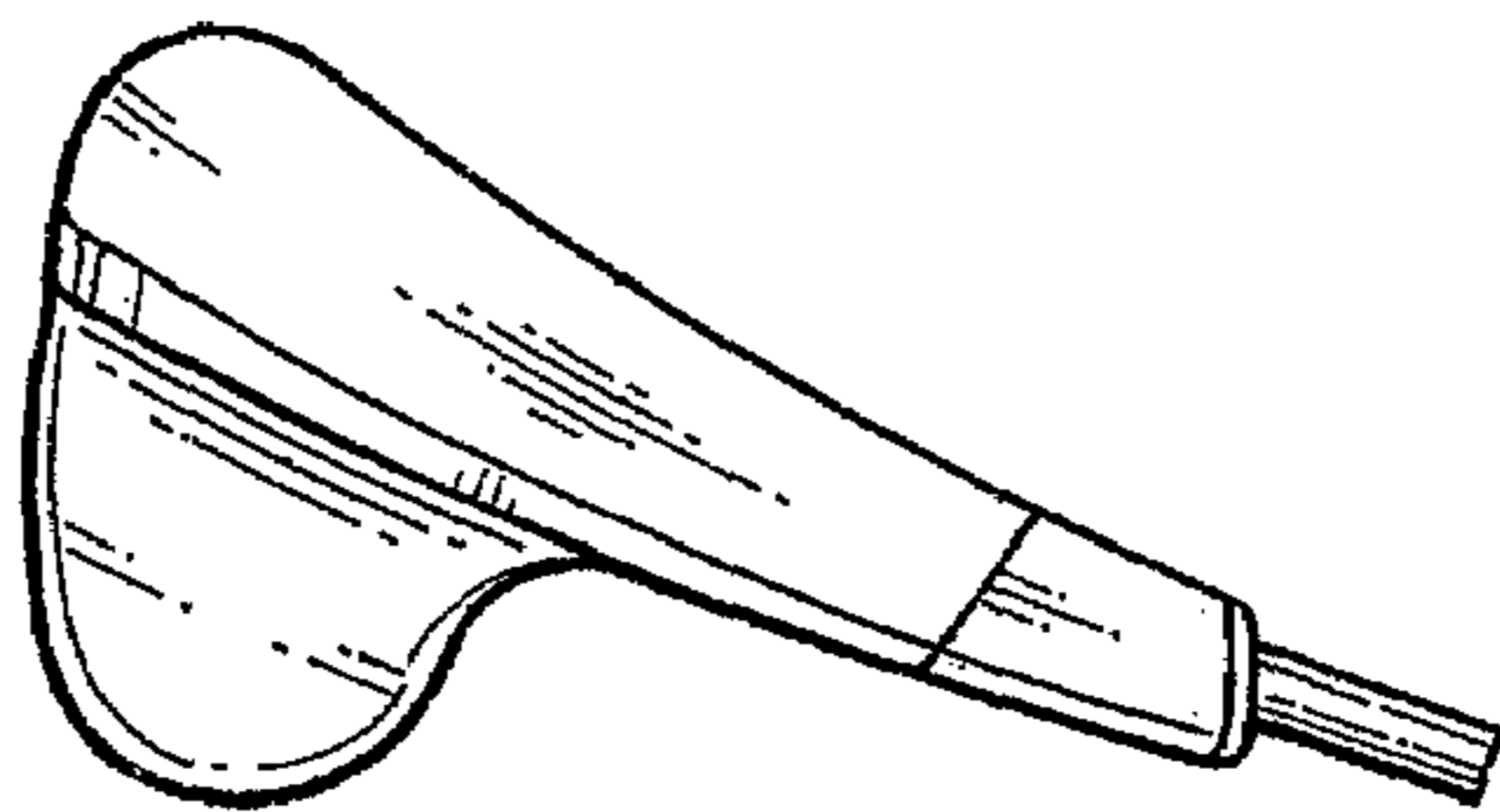


Fig. 3

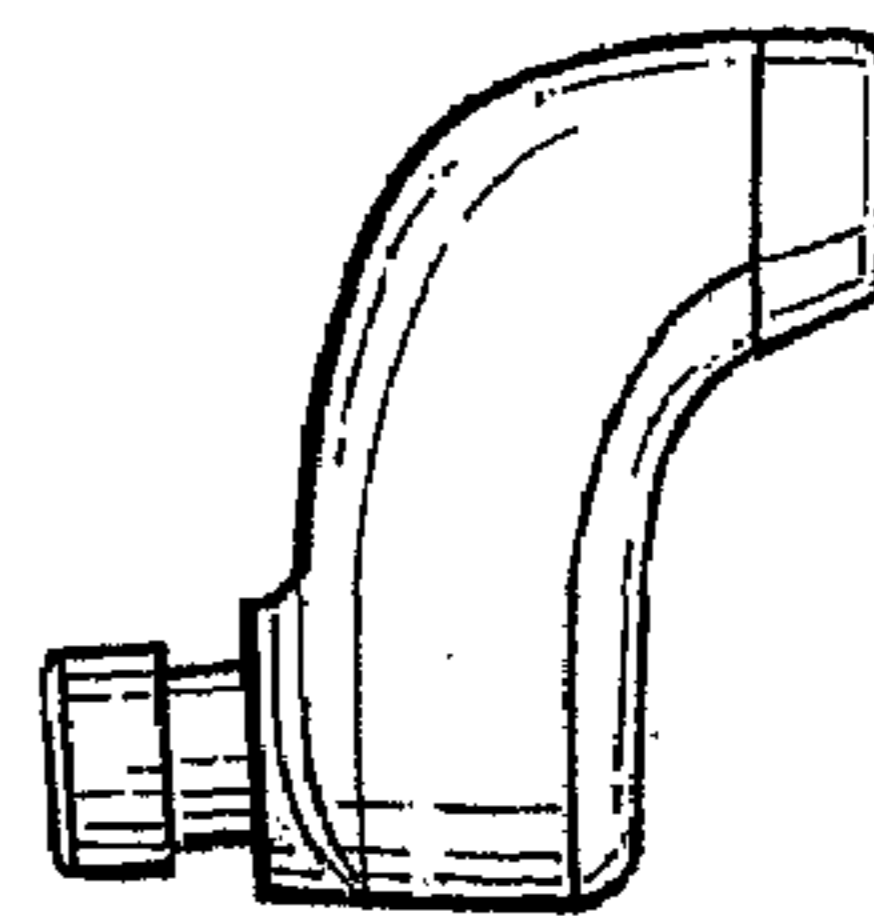


Fig. 4

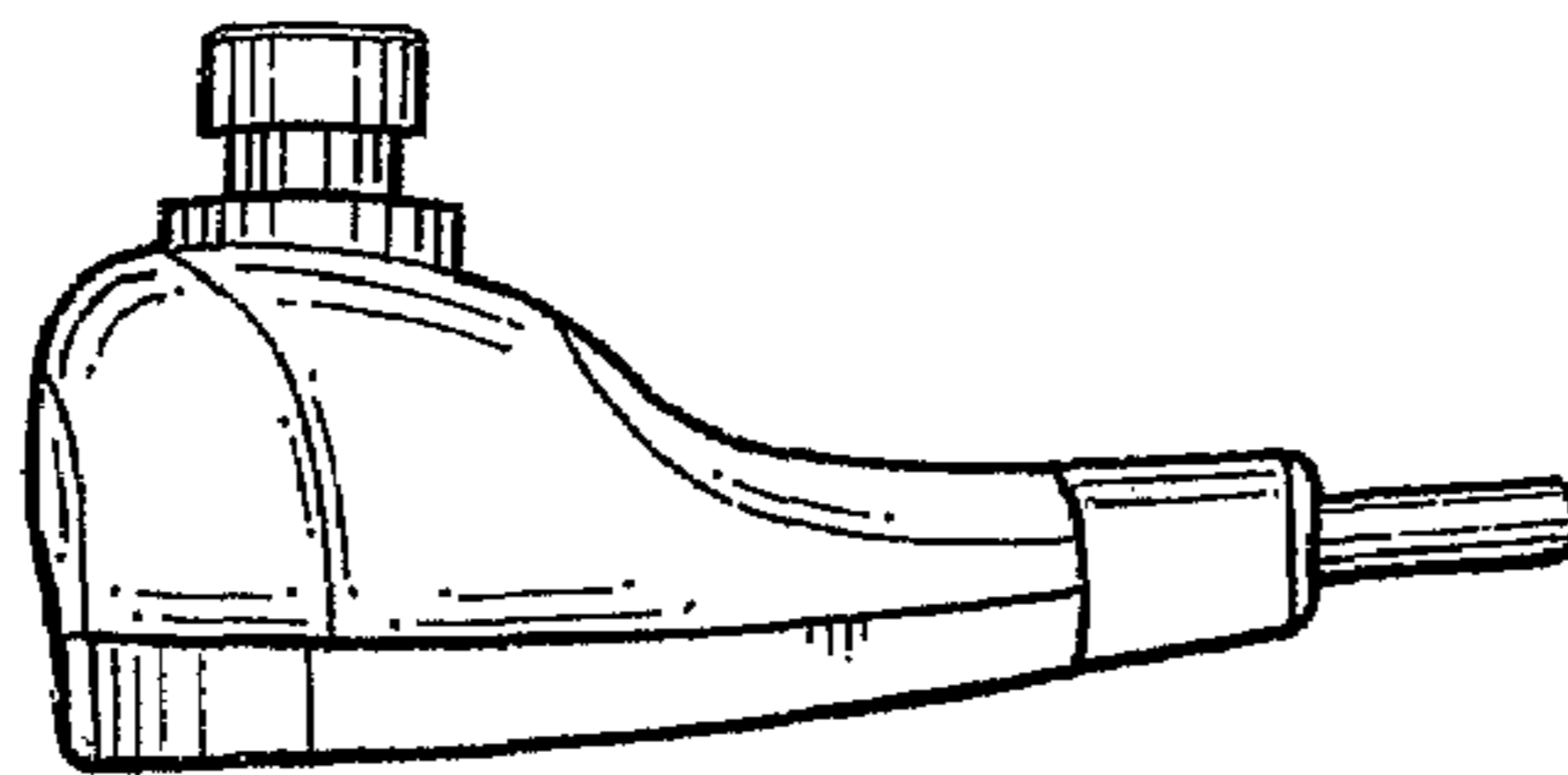


Fig. 5

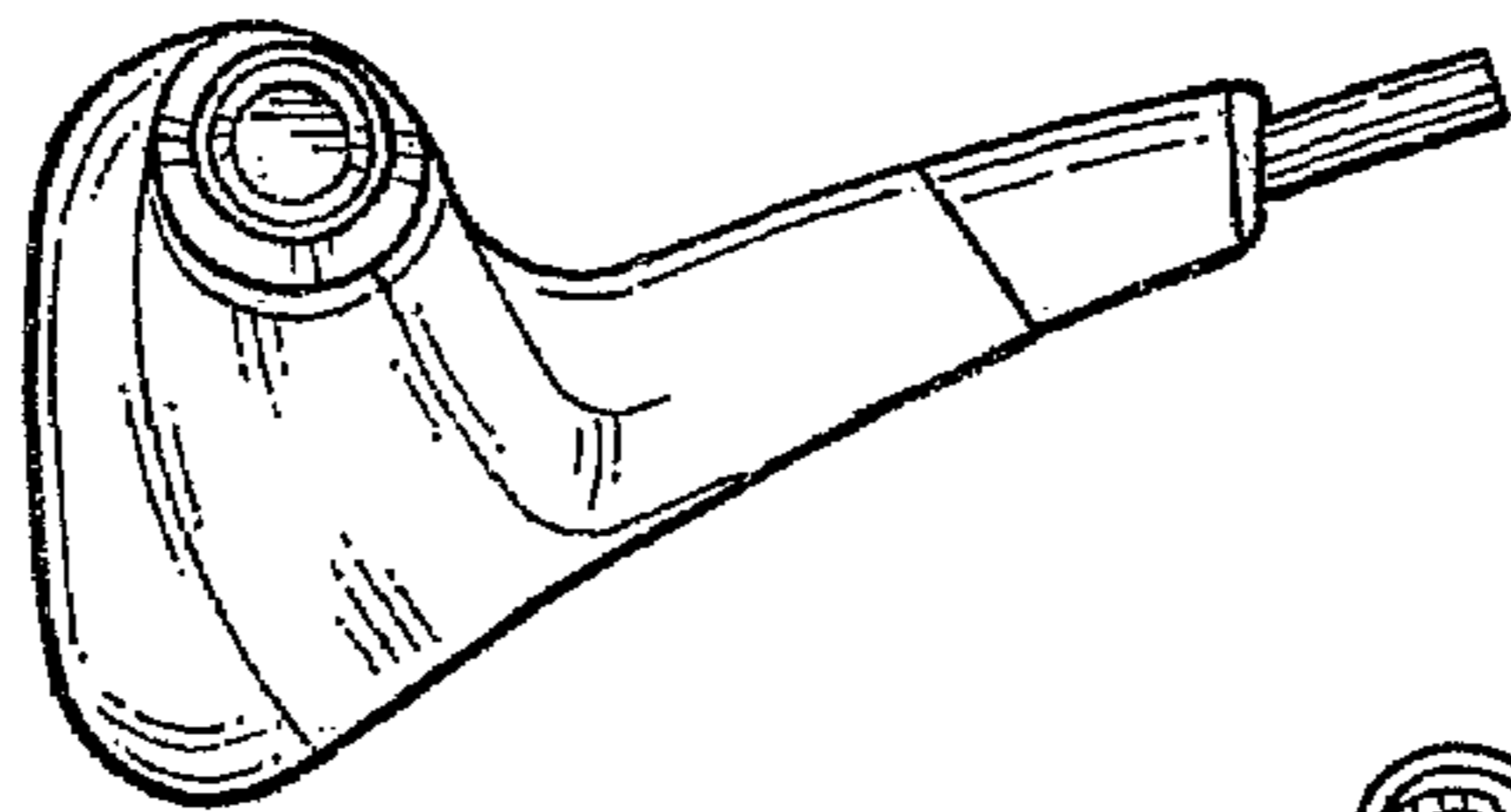


Fig. 6

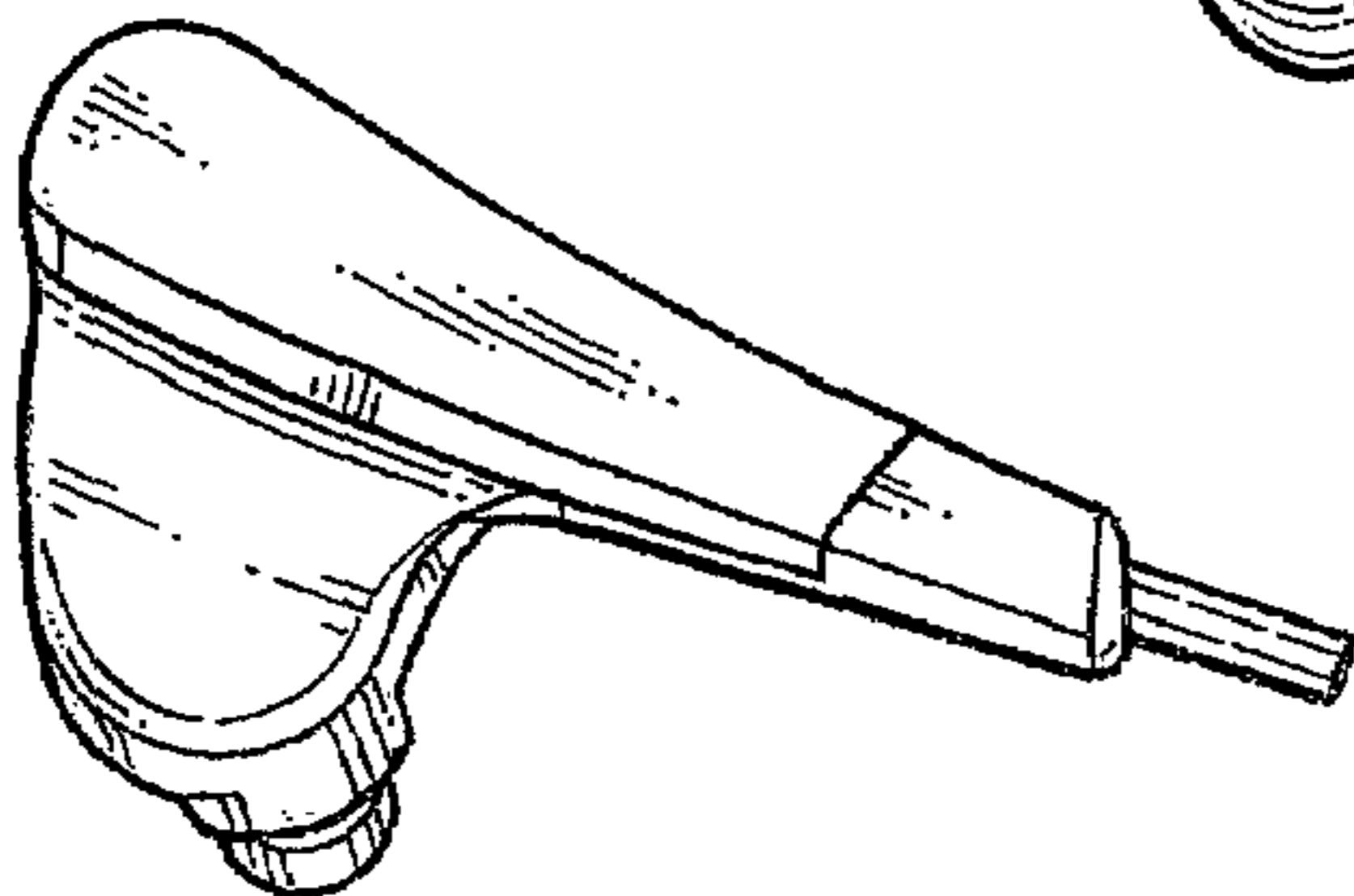


Fig. 7

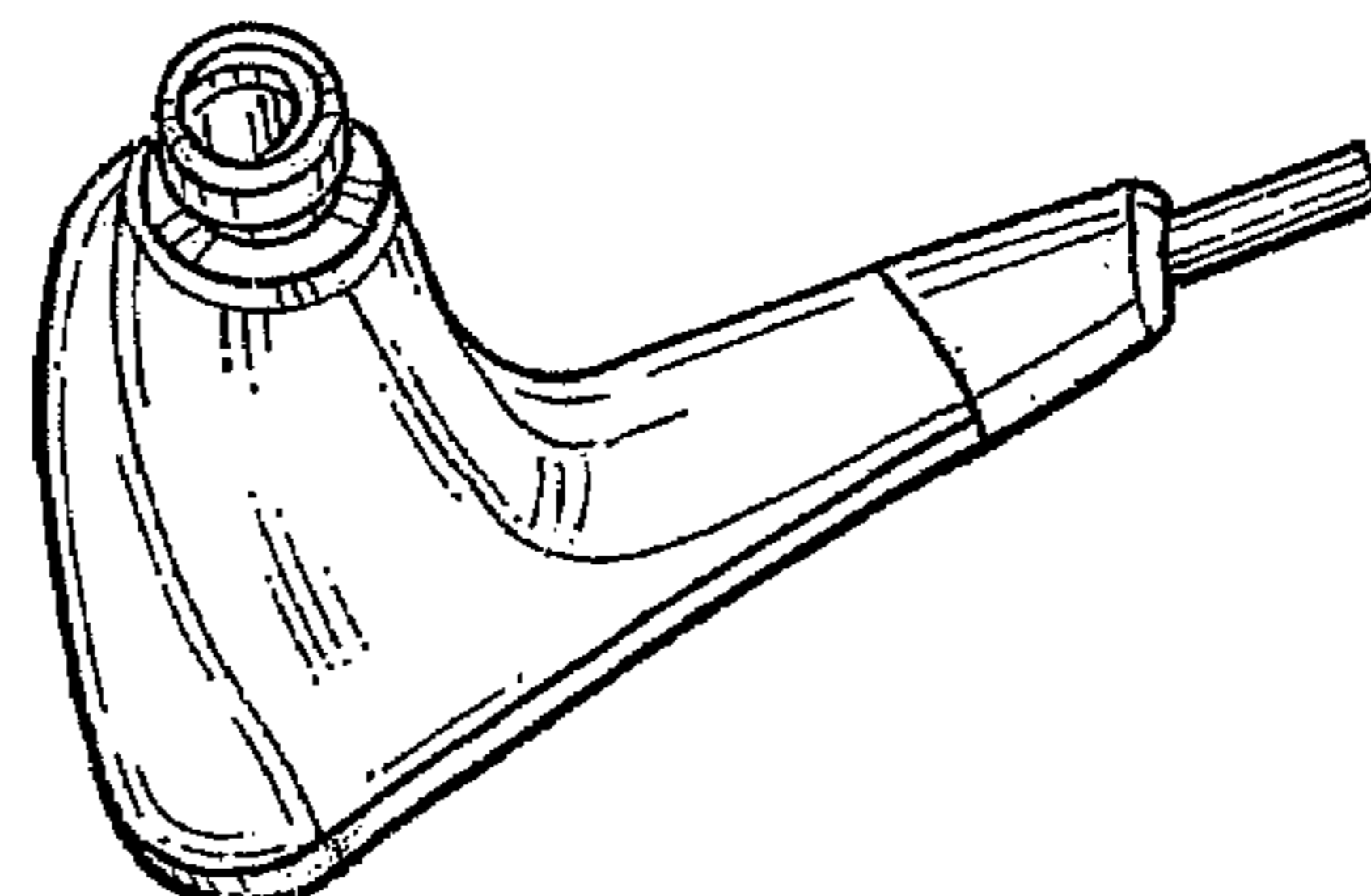


Fig. 8

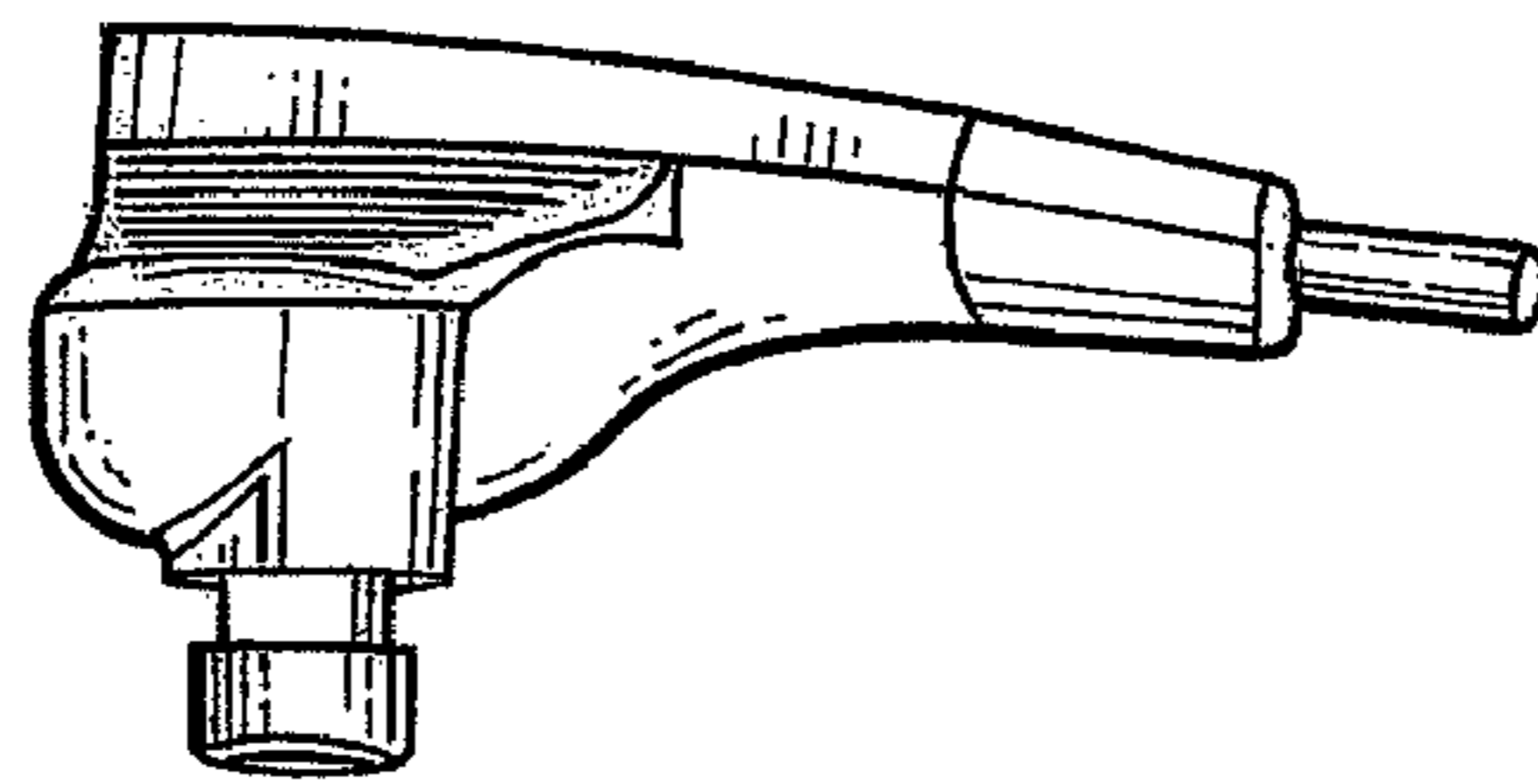


Fig. 9

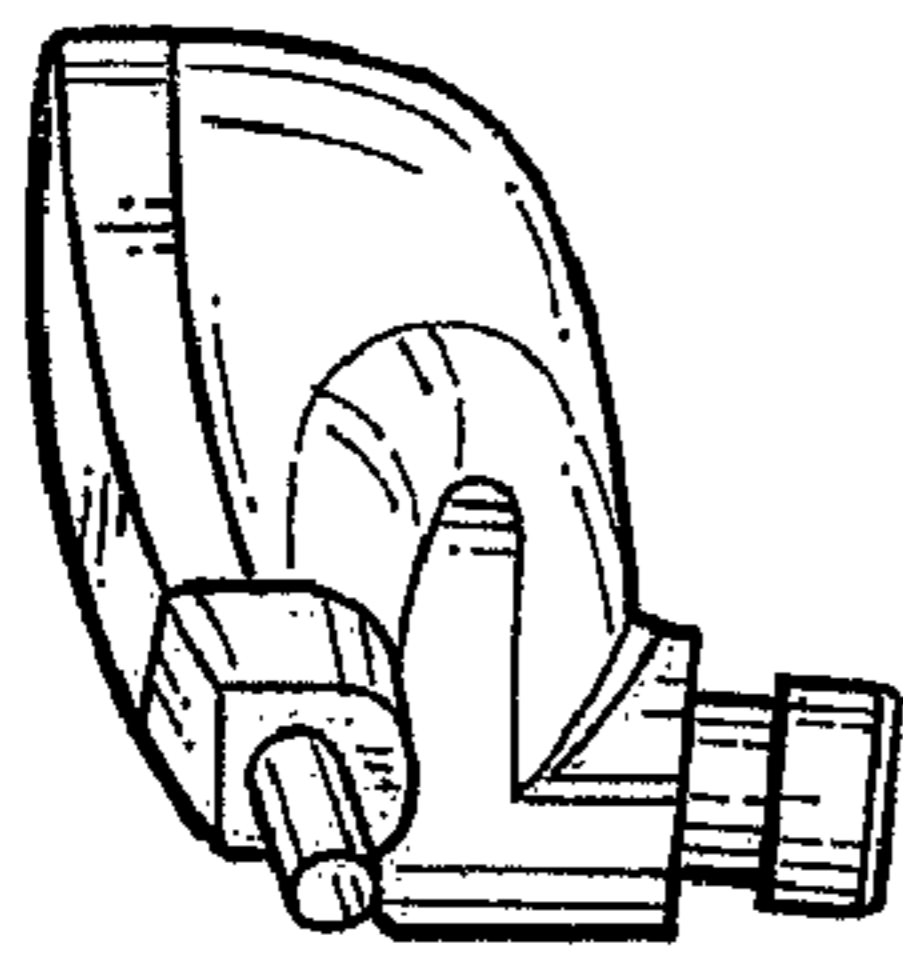


Fig. 10

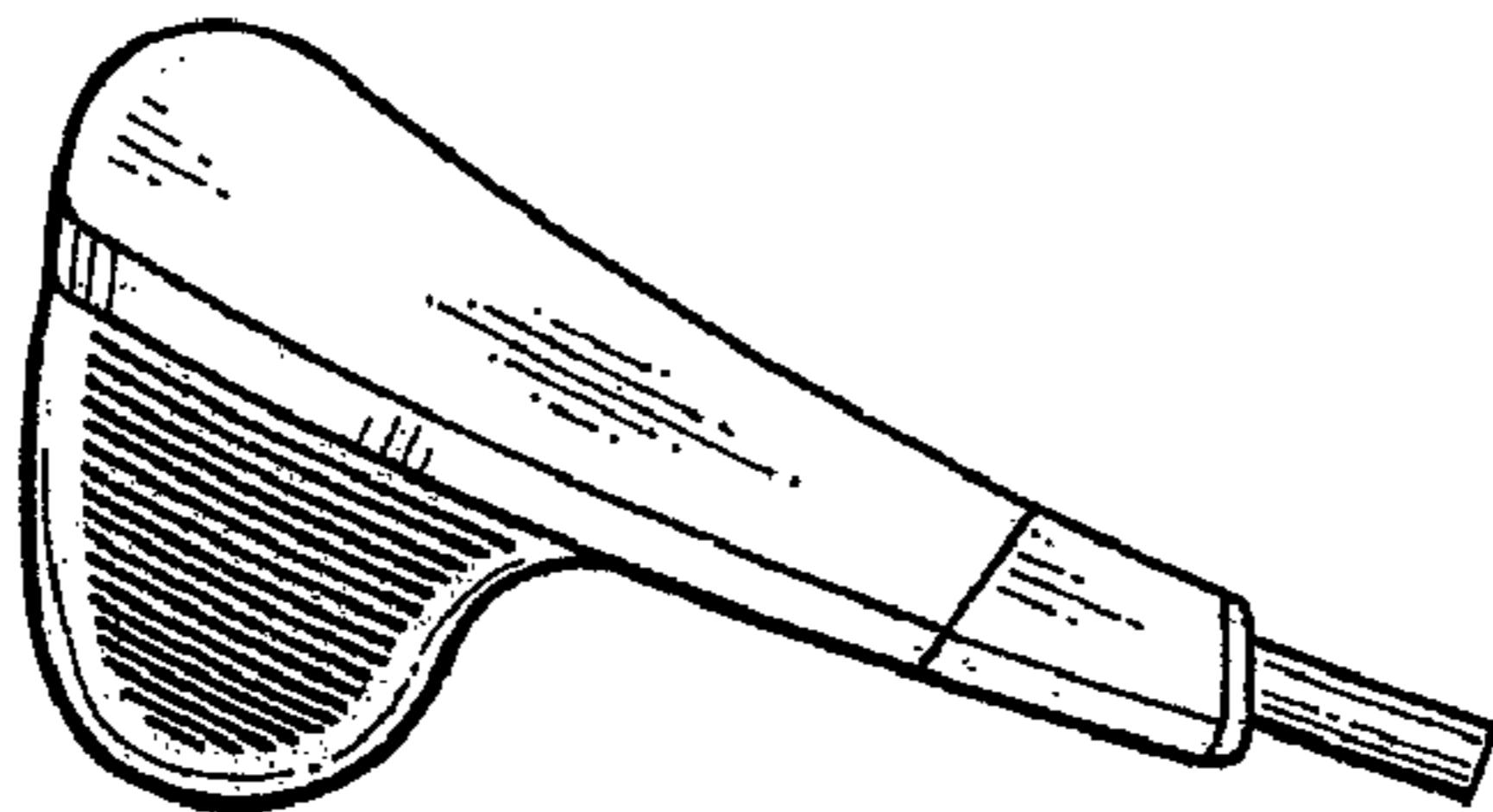


Fig. 11

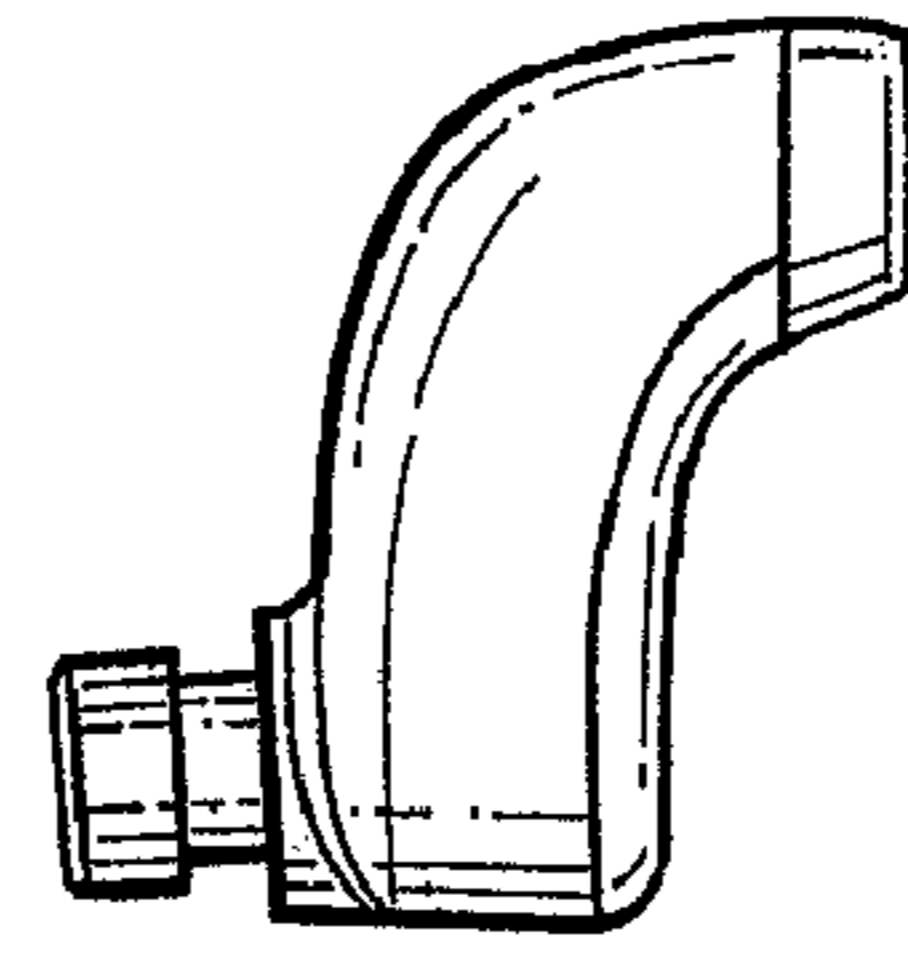


Fig. 12

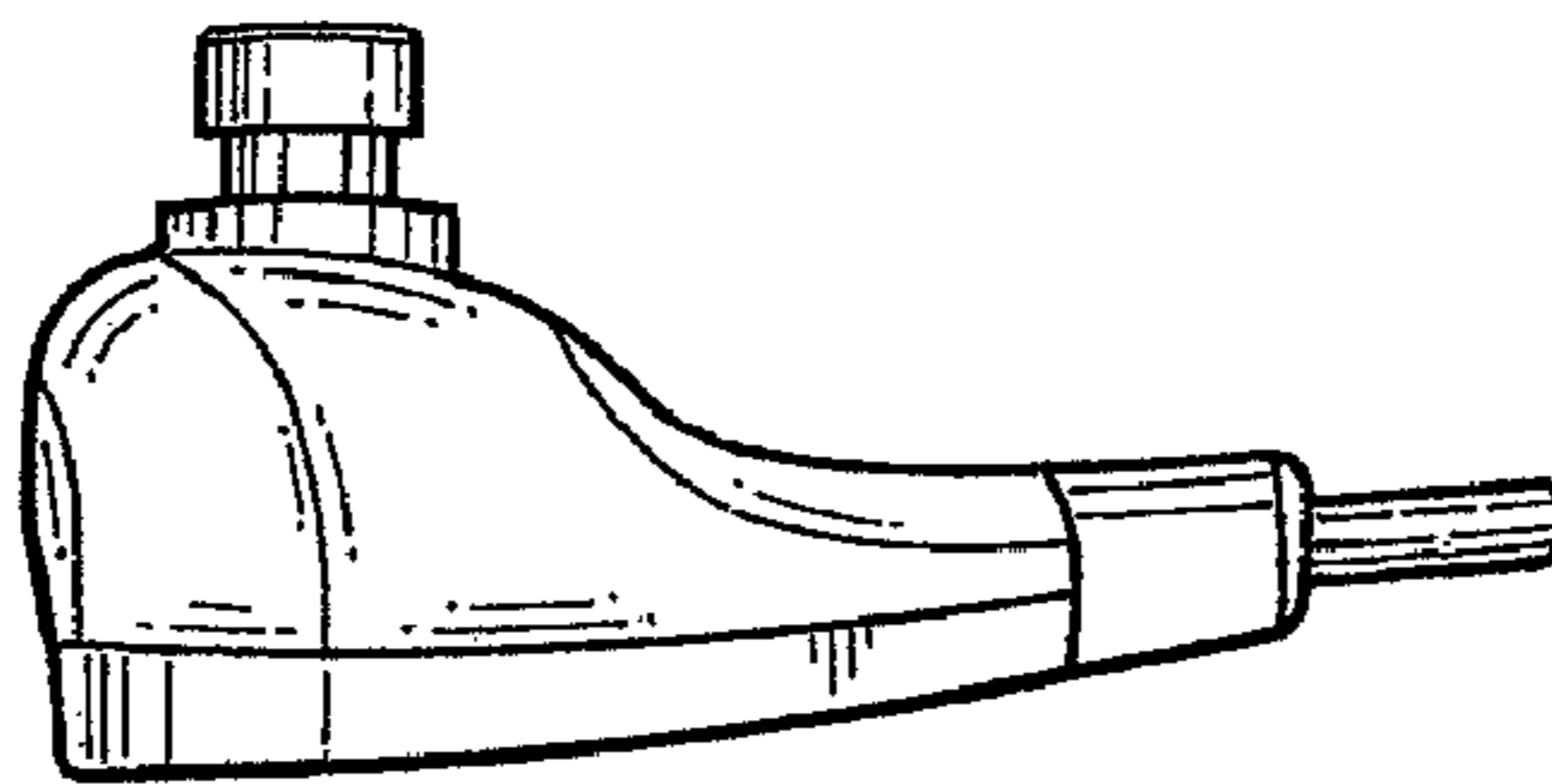


Fig. 13

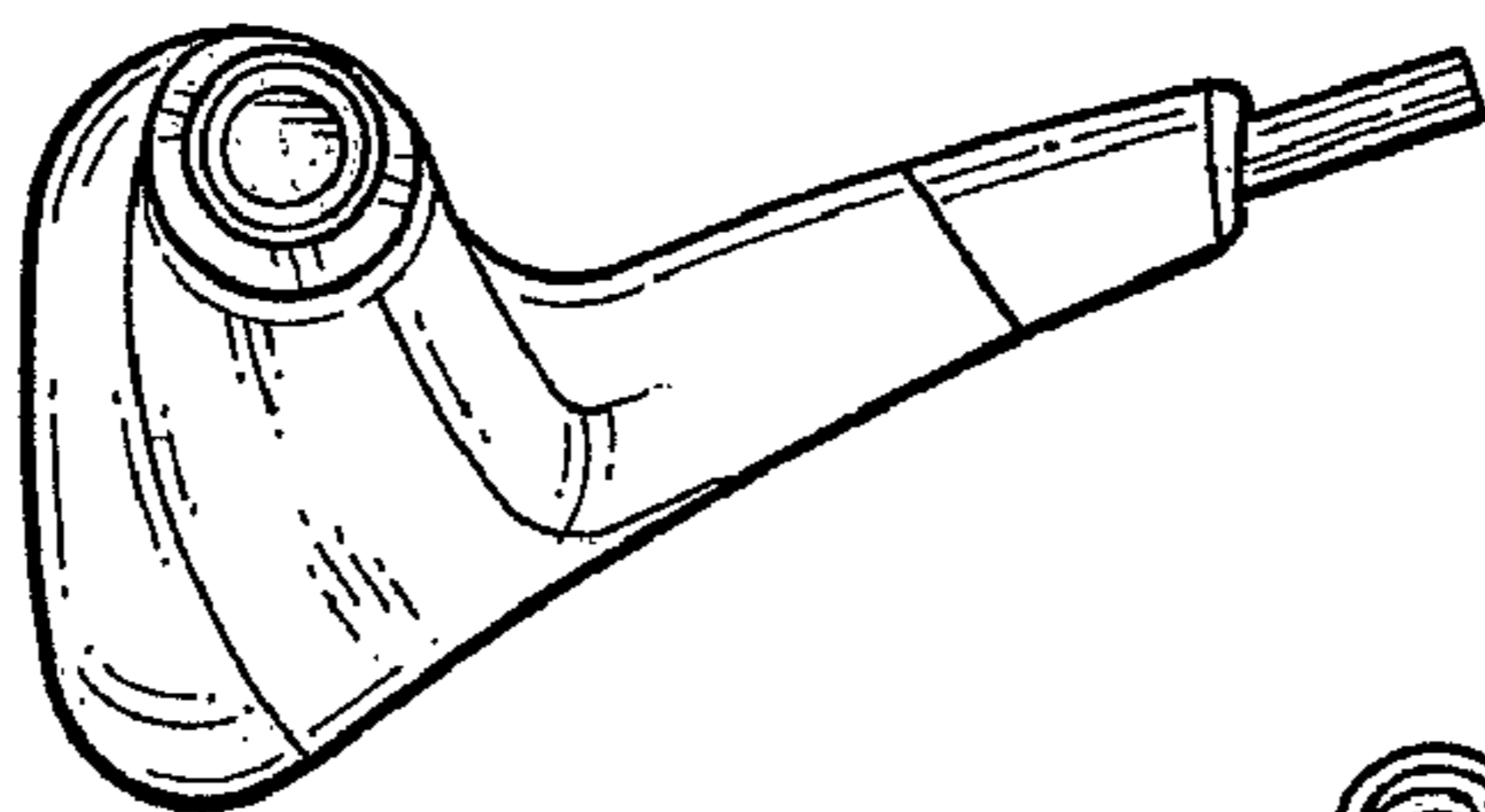


Fig. 14

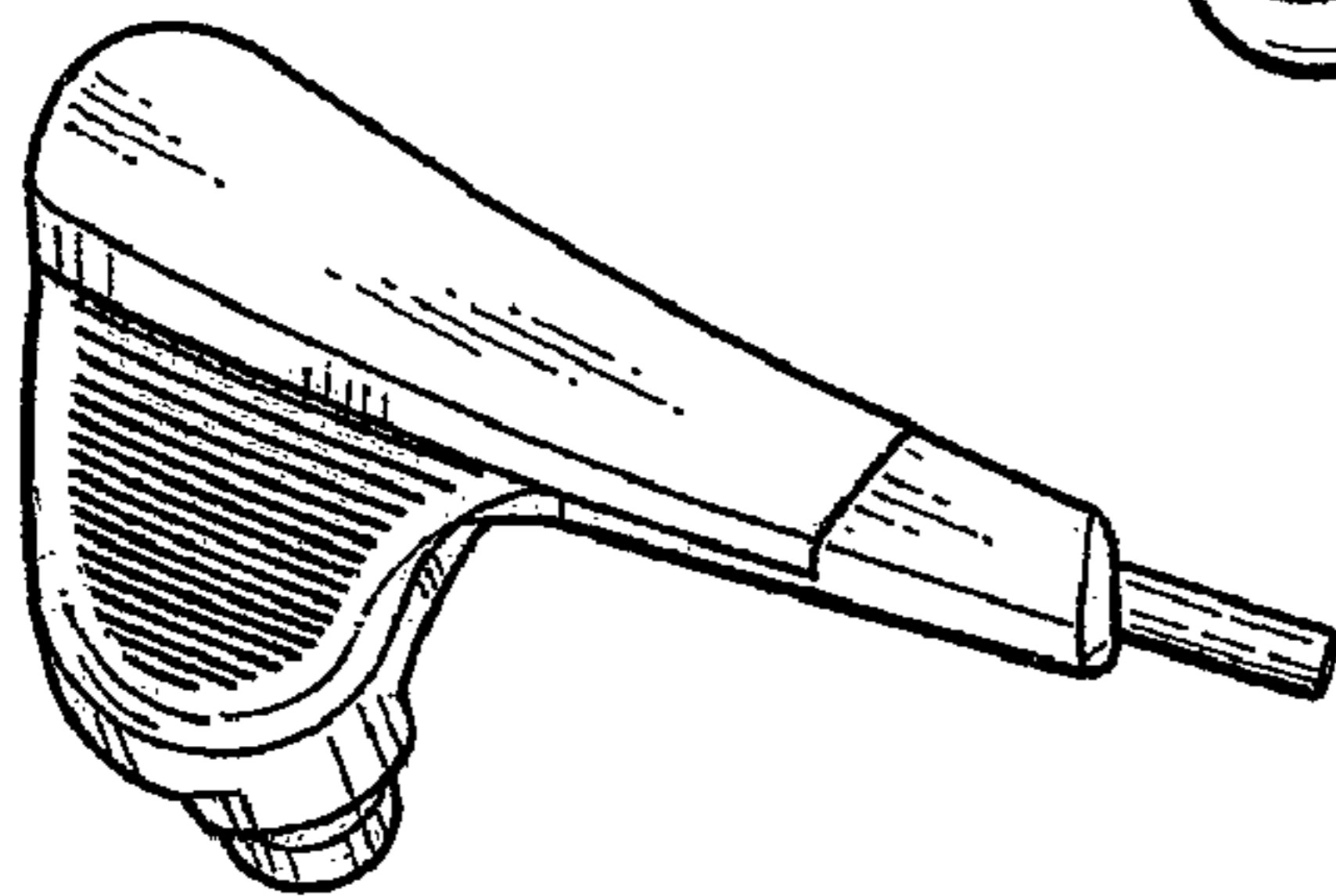


Fig. 15

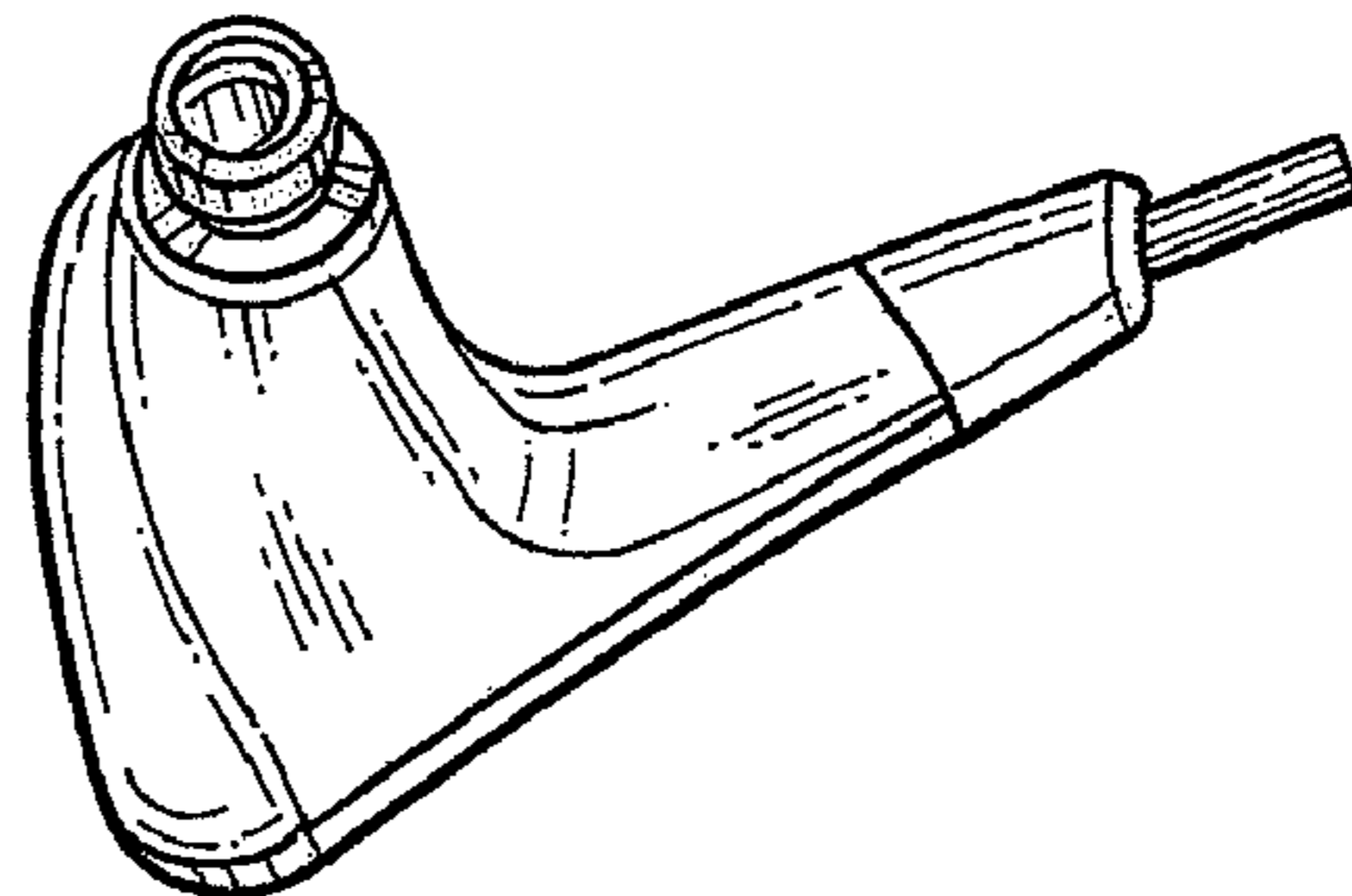


Fig. 16