



US00D603378S

(12) **United States Design Patent**  
**Paradise**

(10) **Patent No.:** **US D603,378 S**

(45) **Date of Patent:** **\*\* Nov. 3, 2009**

(54) **HEADSET FOR A COMMUNICATION DEVICE**

(75) Inventor: **Michael F. Paradise**, Chicago, IL (US)

(73) Assignee: **Motorola, Inc.**, Schaumburg, IL (US)

(\*\*) Term: **14 Years**

(21) Appl. No.: **29/319,864**

(22) Filed: **Jun. 17, 2008**

(51) **LOC (9) Cl.** ..... **14-01**

(52) **U.S. Cl.** ..... **D14/223**

(58) **Field of Classification Search** ..... D14/205,  
D14/206, 223, 138 R, 357, 218, 137, 240,  
D14/339, 341, 435; 379/430, 433.01, 433.02,  
379/433.03; 381/380, 381, 370, 374-379;  
D24/174; 455/575.2; D13/133, 147  
See application file for complete search history.

(56) **References Cited**

**U.S. PATENT DOCUMENTS**

5,420,935	A *	5/1995	Shinohara et al. ....	381/370
D432,524	S *	10/2000	Yamagishi .....	D14/218
D478,893	S *	8/2003	Corander .....	D14/218
D479,834	S *	9/2003	Salazar et al. ....	D14/205
6,868,284	B2 *	3/2005	Bae .....	455/575.2
D509,199	S *	9/2005	Haase et al. ....	D14/137
D520,988	S *	5/2006	Miller .....	D14/218
7,062,057	B2 *	6/2006	Wu .....	381/323
D526,313	S *	8/2006	Murray .....	D14/223
D528,529	S *	9/2006	Rose et al. ....	D14/138 R
D529,467	S *	10/2006	Rose et al. ....	D14/138 R
D530,298	S *	10/2006	Rose et al. ....	D14/138 R
D538,271	S *	3/2007	Kim et al. ....	D14/223
D538,792	S *	3/2007	Kim et al. ....	D14/223
D539,777	S *	4/2007	Pena Angarita .....	D14/138 R
D548,747	S *	8/2007	Andre et al. ....	D14/496
D550,215	S *	9/2007	Udagawa et al. ....	D14/223

D554,588	S *	11/2007	Lee et al. ....	D13/147
D555,151	S *	11/2007	Eklund .....	D14/223
D558,757	S *	1/2008	Andre et al. ....	D14/341
D559,836	S *	1/2008	Lee .....	D14/223
D568,301	S *	5/2008	Kim et al. ....	D14/223
D581,396	S *	11/2008	Wikel et al. ....	D14/206
D582,419	S *	12/2008	Sheba et al. ....	D14/435
D582,897	S *	12/2008	Christopher et al. ....	D14/223
D582,899	S *	12/2008	Wai .....	D14/223
D584,285	S *	1/2009	Xu et al. ....	D14/206
D584,292	S *	1/2009	Knight .....	D14/218

**OTHER PUBLICATIONS**

U.S. Appl. No. 29/296,658, filed Oct. 25, 2007, in the name of Harold L. Wikel, et al., entitled "User Interface".

\* cited by examiner

*Primary Examiner*—Paula Greene

(57) **CLAIM**

The ornamental design for a headset for a communication device, as shown and described.

**DESCRIPTION**

FIG. 1 is a front perspective view of a headset for a communication device showing my new design,

FIG. 2 is a top plan view thereof;

FIG. 3 is a bottom view thereof;

FIG. 4 is a side elevational view thereof;

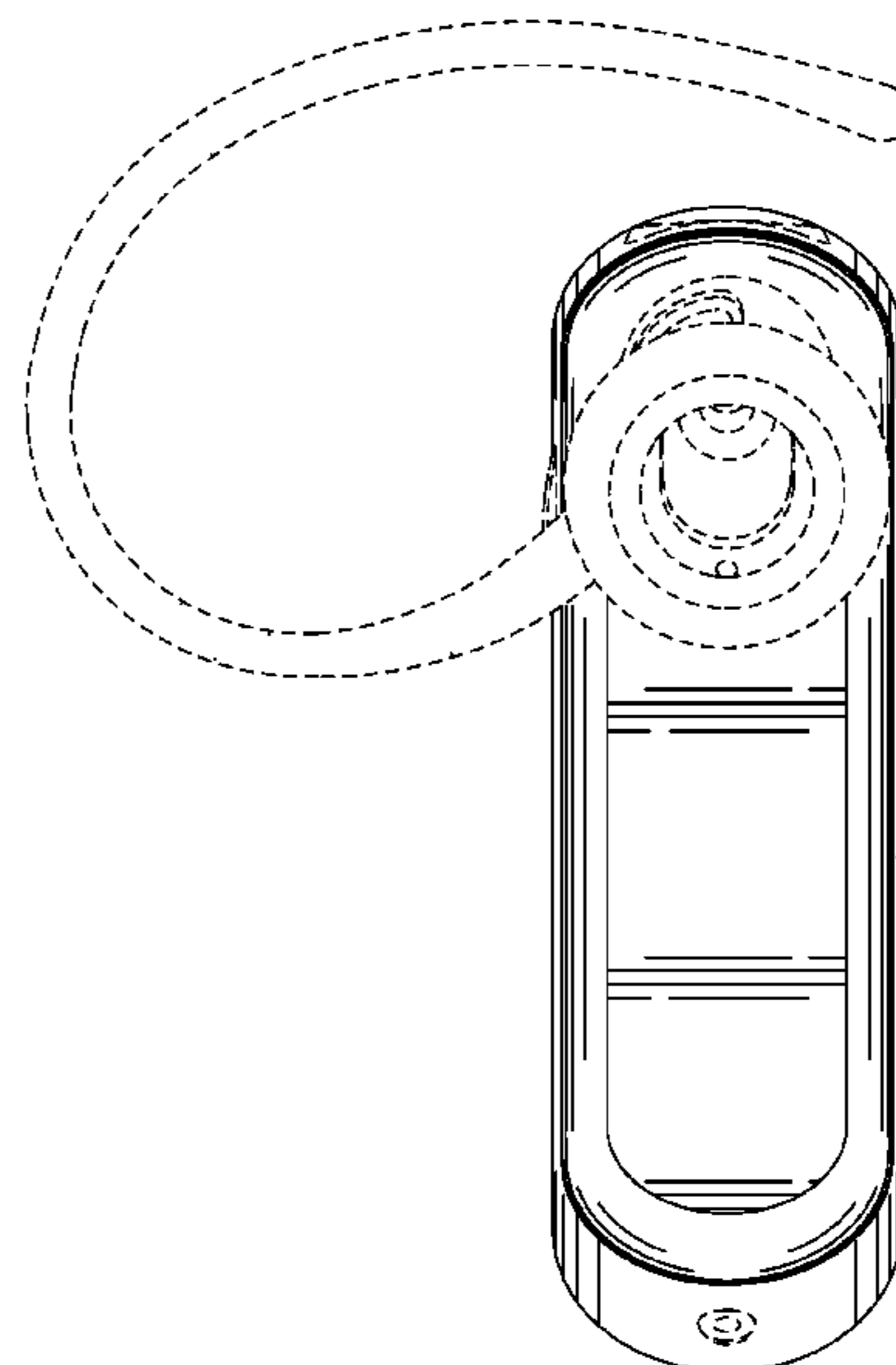
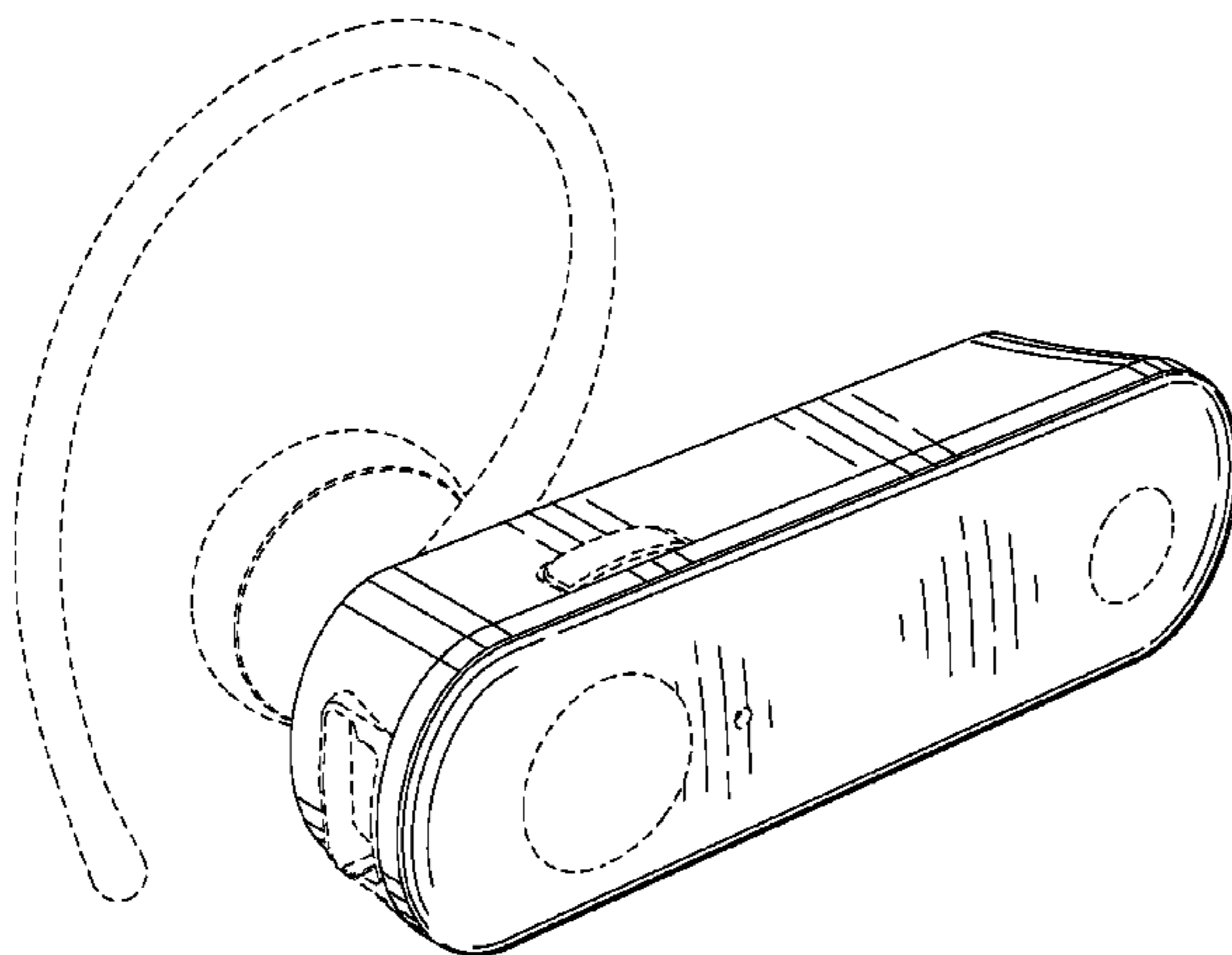
FIG. 5 is an opposite side elevational view thereof;

FIG. 6 is a rear elevational view thereof; and,

FIG. 7 is a front elevational view thereof.

The broken line in FIGS. 1-7 showing environmental structures is for illustrative purposes and forms no part of the claim design.

**1 Claim, 5 Drawing Sheets**



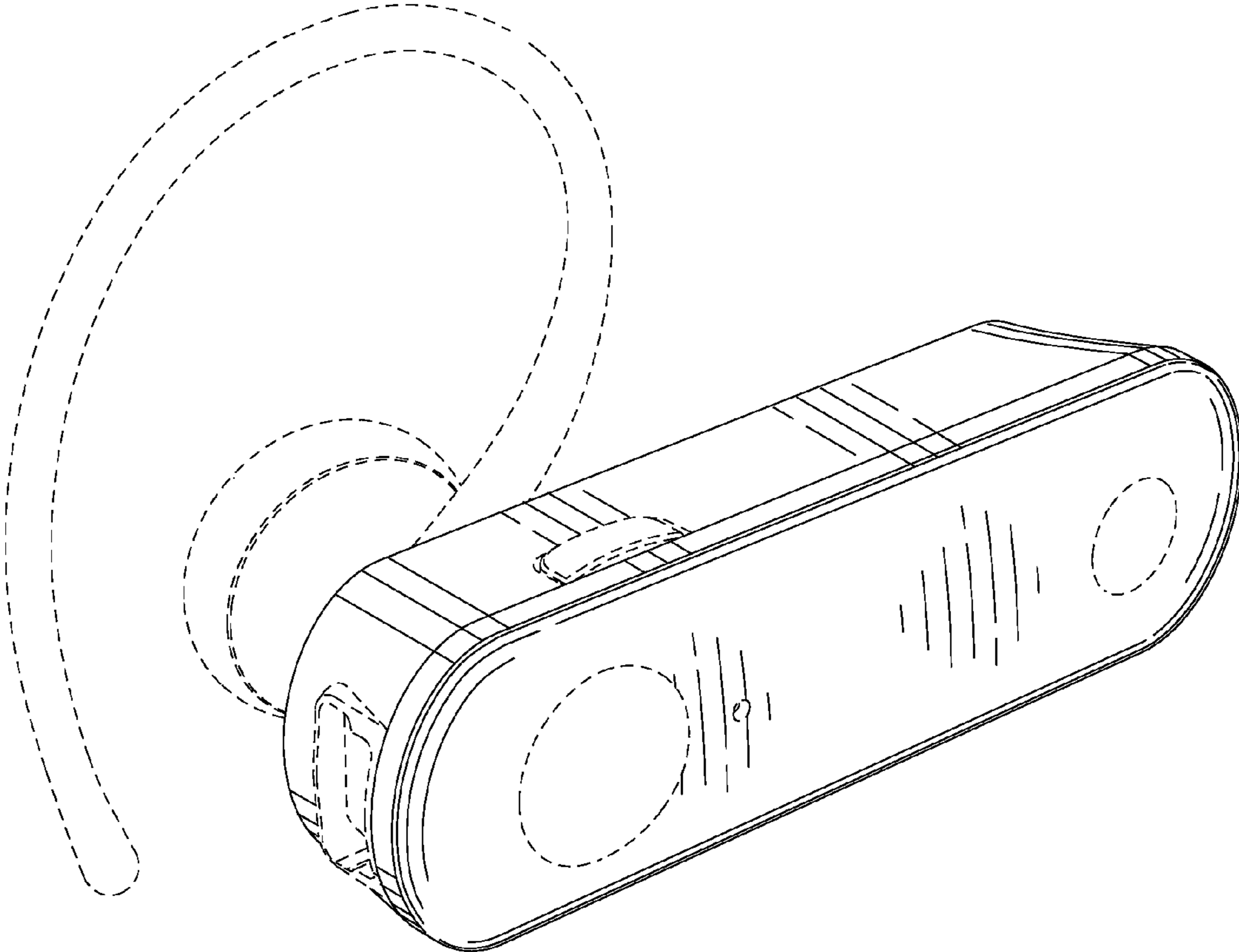


FIG. 1

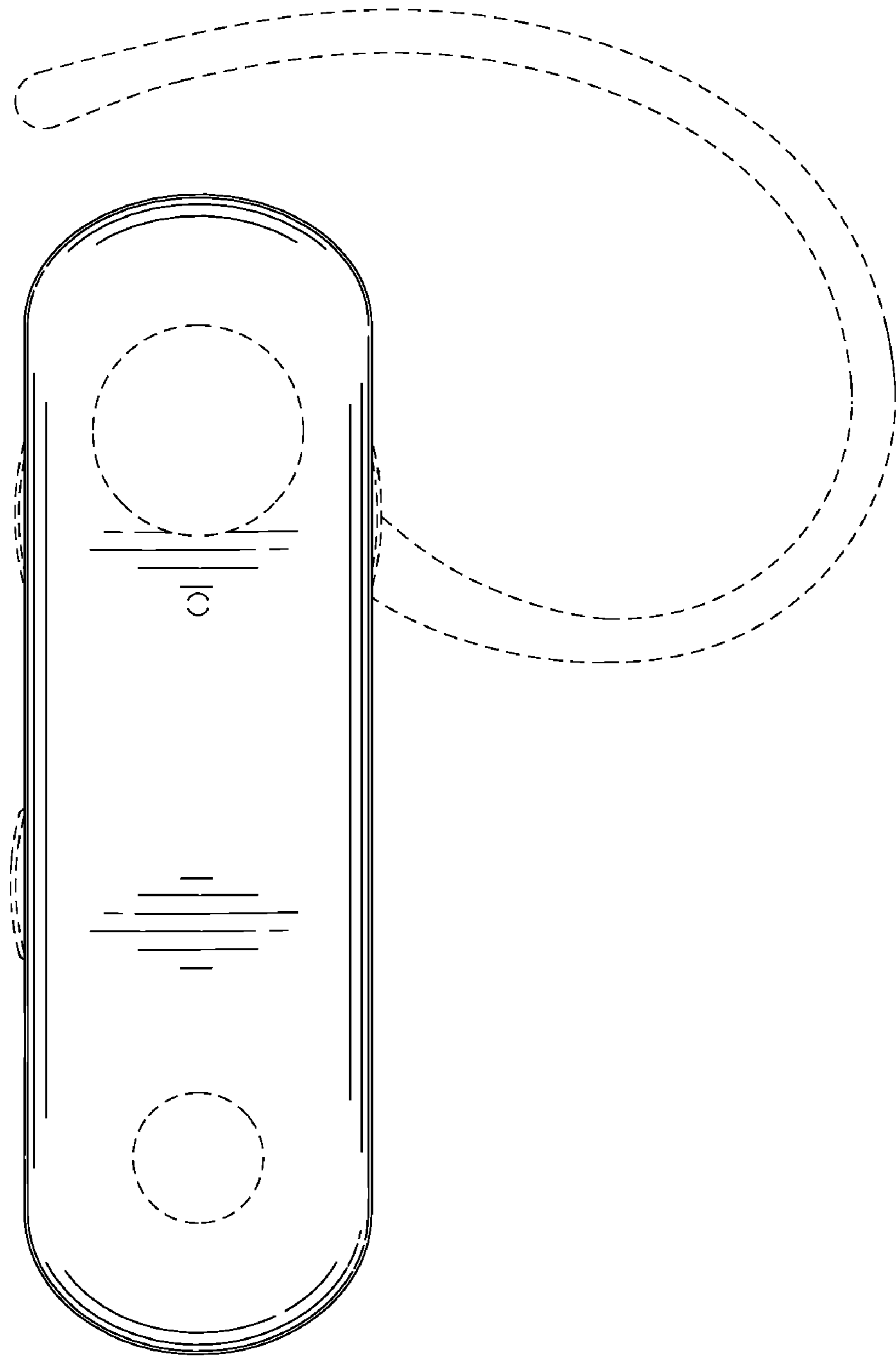


FIG. 2

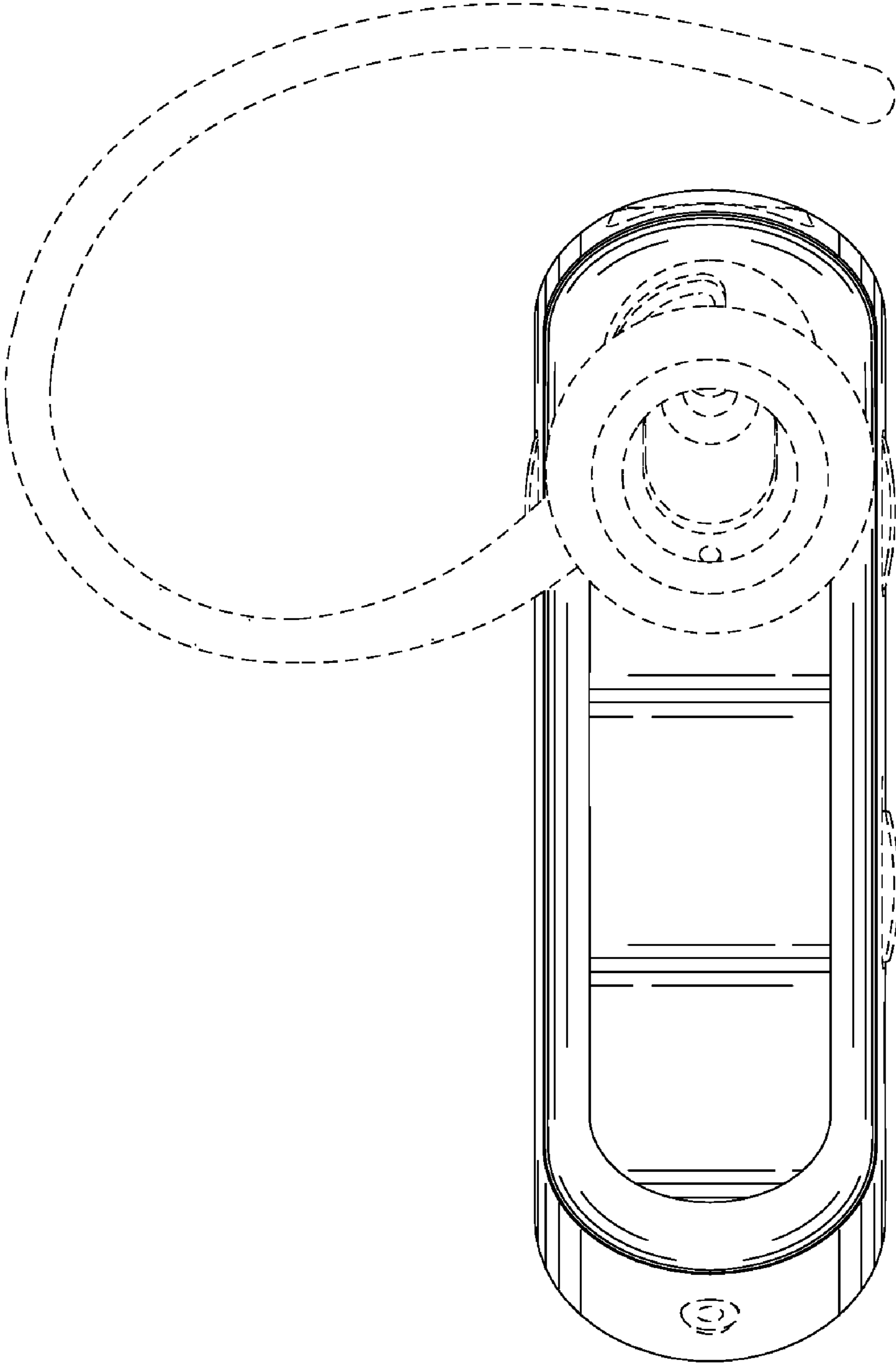


FIG. 3

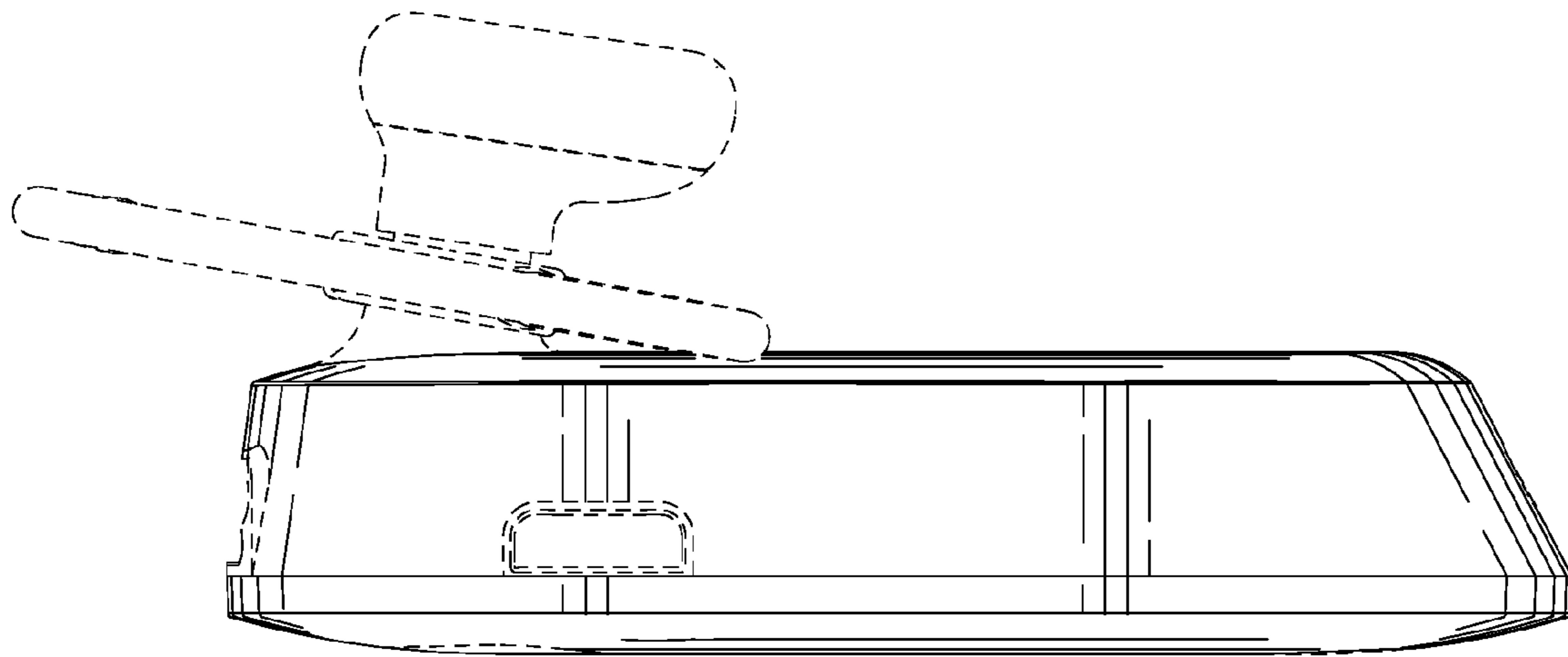


FIG. 4

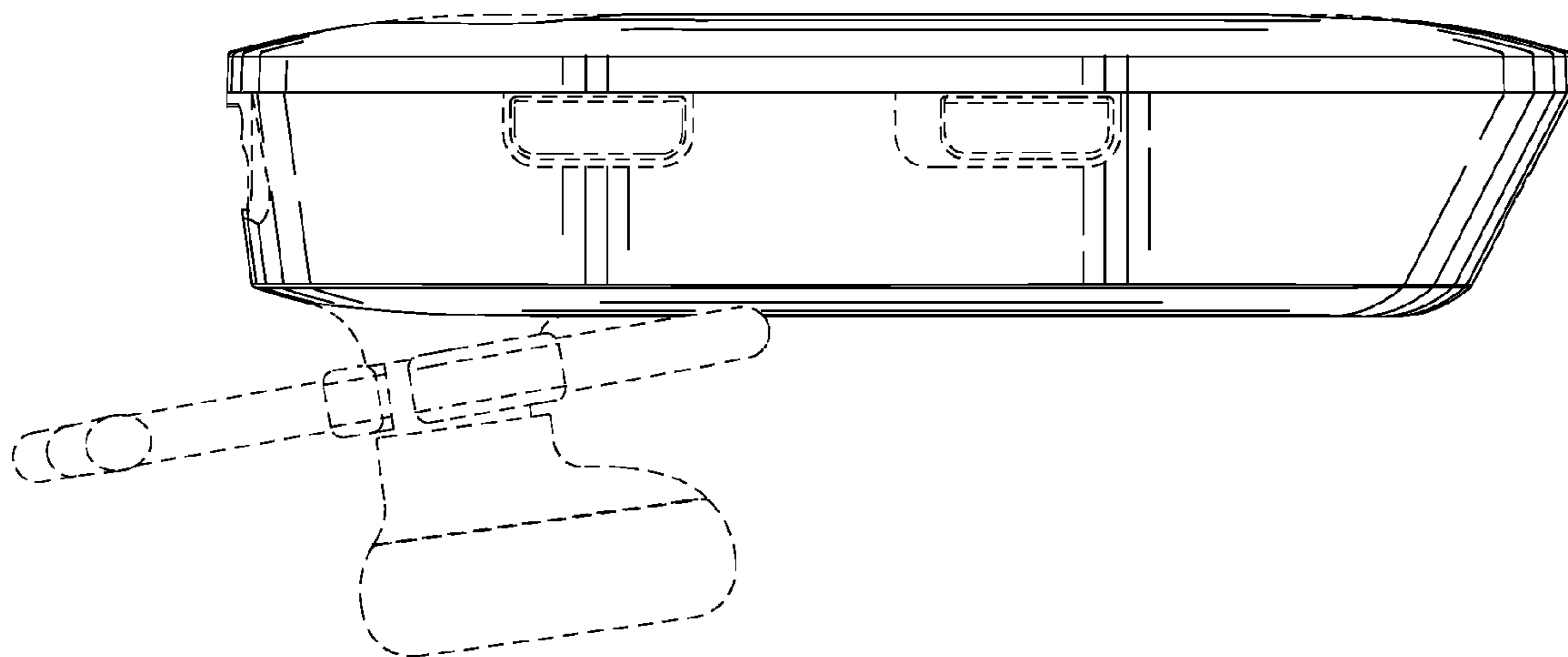


FIG. 5

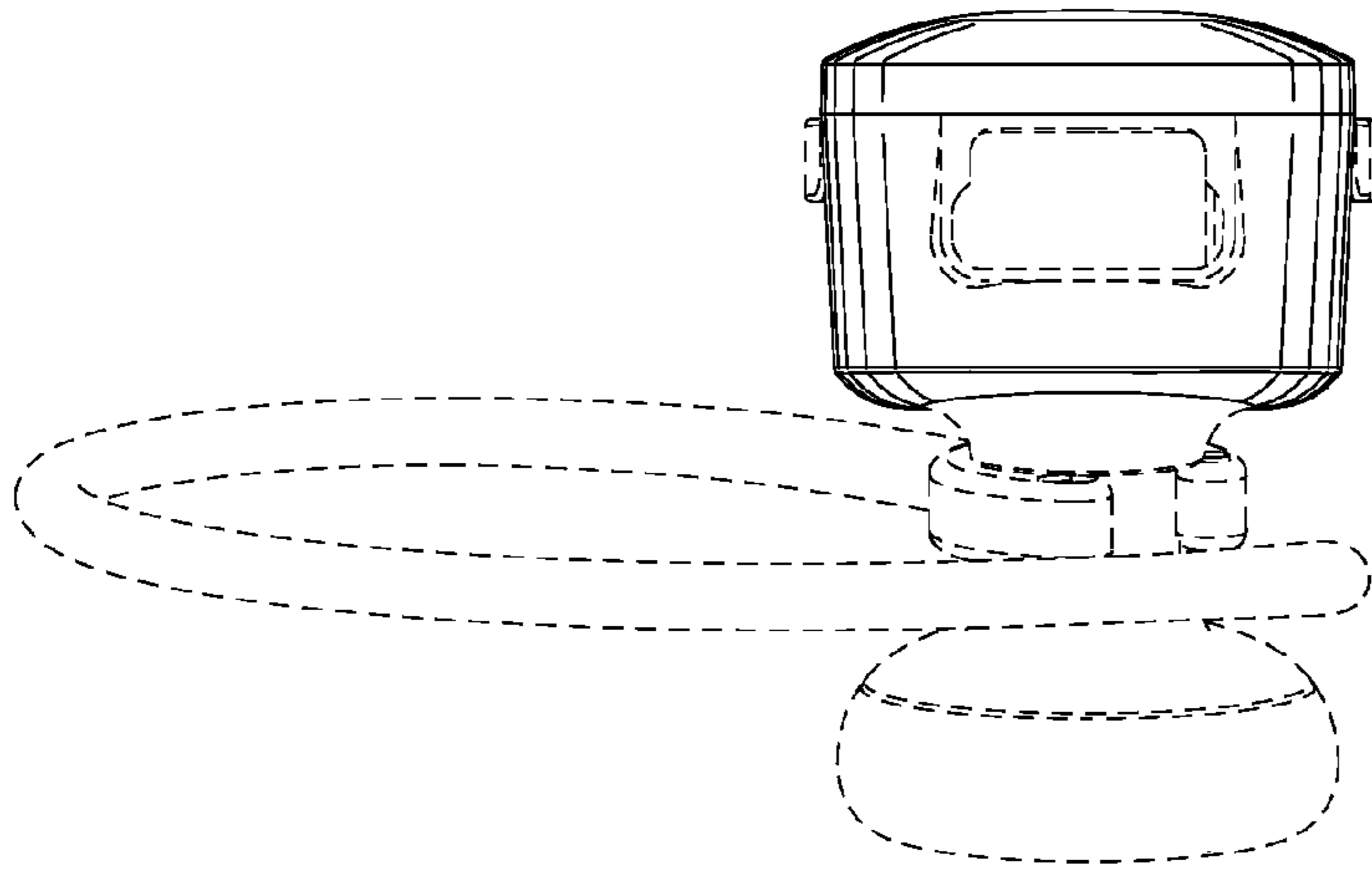


FIG. 6

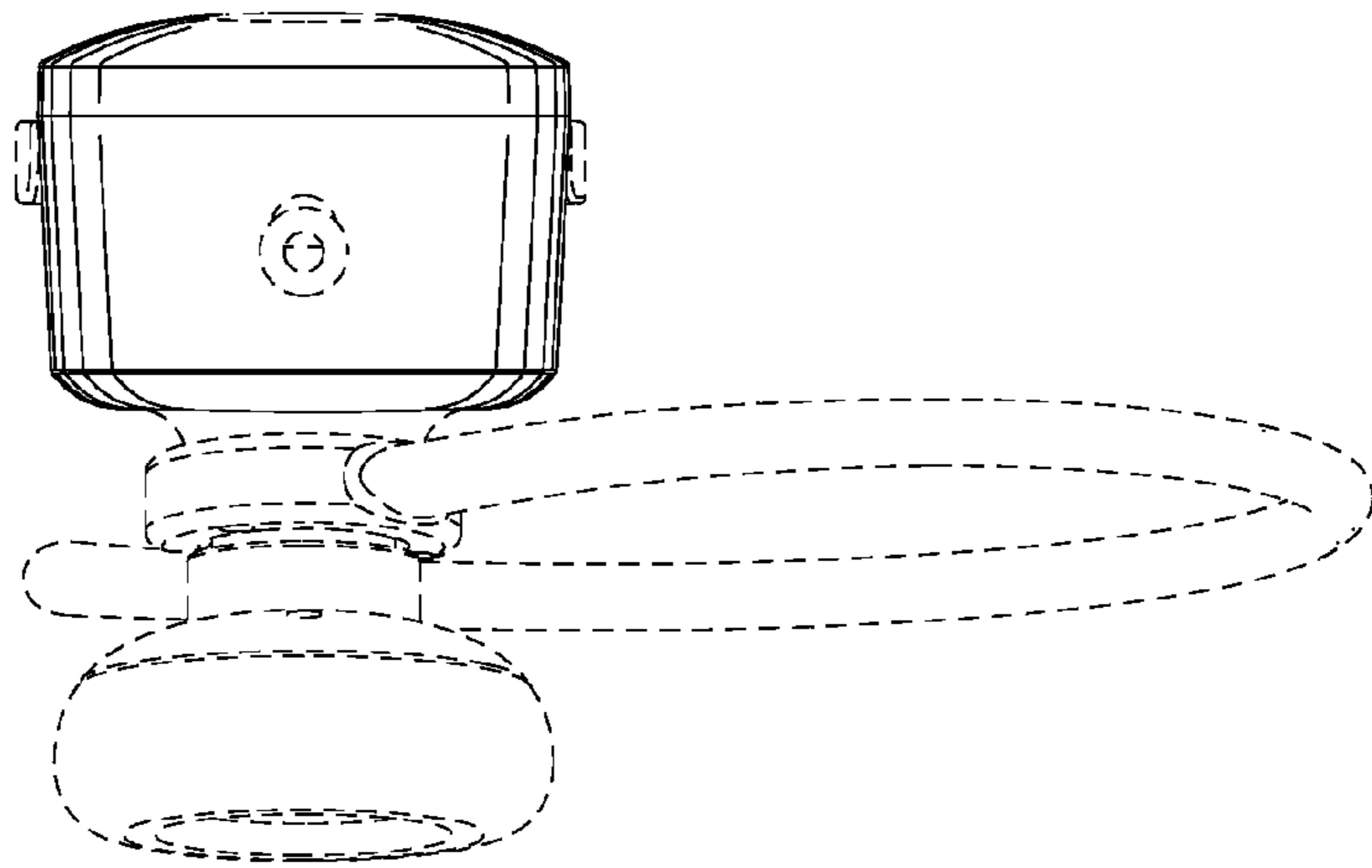


FIG. 7