



US00D603370S

(12) **United States Design Patent**
Suzuki

(10) **Patent No.:** **US D603,370 S**
(45) **Date of Patent:** **** Nov. 3, 2009**

(54) **HEADPHONE**

(75) Inventor: **Satoshi Suzuki**, Tokyo (JP)

(73) Assignee: **Sony Corporation**, Tokyo (JP)

(**) Term: **14 Years**

(21) Appl. No.: **29/271,336**

(22) Filed: **Jan. 17, 2007**

(30) **Foreign Application Priority Data**

Oct. 10, 2006 (JP) D2006-027285

(51) **LOC (9) Cl.** **14-01**

(52) **U.S. Cl.** **D14/205**

(58) **Field of Classification Search** D14/205,
D14/206, 223, 156, 188, 192; 181/129, 130;
379/430, 433; 381/380, 381, 379, 378, 377,
381/375, 376, 370, 371, 187; 455/575.2,
455/90.3; D29/112; 2/209

See application file for complete search history.

(56) **References Cited**

U.S. PATENT DOCUMENTS

- 3,454,964 A * 7/1969 Brinkhoff 2/209
- 3,505,684 A * 4/1970 Hutchinson et al. 2/209
- 3,562,816 A * 2/1971 Hutchinson 2/209
- 4,302,635 A * 11/1981 Jacobsen et al. 381/371
- 4,409,442 A * 10/1983 Kamimura 381/383
- 4,465,159 A * 8/1984 Stallings 181/129
- D291,690 S 9/1987 Tabachnik
- D292,205 S * 10/1987 Kikutani D14/205
- D299,833 S * 2/1989 Hirata D18/49
- 5,018,599 A * 5/1991 Dohi et al. 181/129
- 5,068,923 A * 12/1991 Sjoqvist 2/209
- D328,074 S * 7/1992 Yamazaki et al. D14/205
- D328,461 S 8/1992 Daido et al.
- D333,137 S 2/1993 Burke
- D336,646 S 6/1993 Yamazaki et al.
- D337,115 S 7/1993 Yamazaki et al.
- D351,172 S 10/1994 Nakamura et al.

- D353,817 S * 12/1994 Wada D14/205
- 5,406,037 A * 4/1995 Nageno et al. 181/129
- D373,360 S 9/1996 Kanno
- 5,751,825 A * 5/1998 Myers et al. 381/118
- D405,449 S 2/1999 Nakamura et al.
- D420,356 S * 2/2000 Suzuki D14/205
- D431,550 S * 10/2000 Yoneda D14/205
- D431,553 S * 10/2000 Suzuki D14/223
- D435,249 S * 12/2000 Yasutomi D14/205
- 6,449,806 B1 * 9/2002 Engelhard et al. 24/3.1
- D471,176 S * 3/2003 Suzuki D14/205
- D472,890 S * 4/2003 Suzuki D14/223
- D474,171 S * 5/2003 Suzuki D14/206
- D476,639 S 7/2003 Bergeron et al.
- D477,820 S * 7/2003 Suzuki et al. D14/205
- D484,485 S * 12/2003 Matsuoka D14/205

(Continued)

FOREIGN PATENT DOCUMENTS

JP D809057 S 3/1991

(Continued)

Primary Examiner—Paula Greene

(74) *Attorney, Agent, or Firm*—Rader, Fishman & Grauer, PLLC

(57) **CLAIM**

The ornamental design for headphone, as shown.

DESCRIPTION

FIG. 1 is a perspective view of a headphone showing my new design;

FIG. 2 is a front elevational view thereof;

FIG. 3 is a rear elevational view thereof;

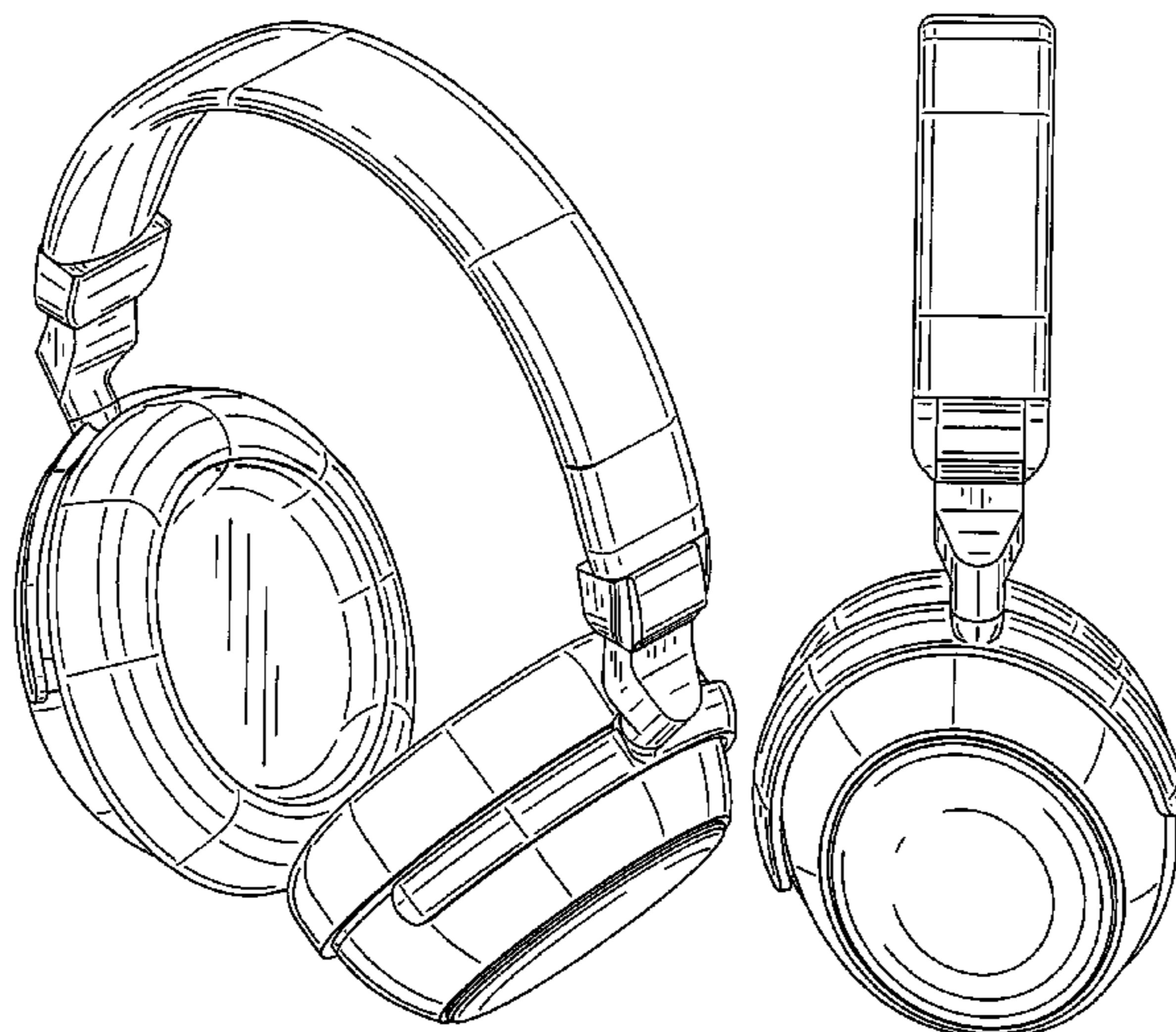
FIG. 4 is a left side elevational view thereof;

FIG. 5 is a right side elevational view thereof;

FIG. 6 is a top plan view thereof; and,

FIG. 7 is a bottom plan view thereof.

1 Claim, 7 Drawing Sheets



US D603,370 S

Page 2

U.S. PATENT DOCUMENTS

D484,868 S 1/2004 Suzuki
D491,163 S * 6/2004 Green D14/205
D508,483 S * 8/2005 Suzuki D14/223
D510,085 S * 9/2005 Suzuki D14/223
D510,335 S 10/2005 Suzuki
D512,708 S * 12/2005 Harris et al. D14/205
D517,527 S * 3/2006 Suzuki D14/205
D518,474 S * 4/2006 Suzuki D14/205
D532,407 S * 11/2006 Motoishi D14/205
7,172,052 B2 * 2/2007 Lenhard-Backhaus 181/129
D539,268 S * 3/2007 Suzuki D14/206
D541,255 S * 4/2007 Taylor et al. D14/205
D549,688 S * 8/2007 Suzuki D14/205

D566,104 S * 4/2008 Suzuki D14/223
D573,581 S * 7/2008 Gondo et al. D14/205
D581,394 S * 11/2008 Lee D14/205
D584,715 S * 1/2009 Brennwald D14/205
D585,871 S * 2/2009 Lee D14/205
D585,872 S * 2/2009 Lee D14/205
D587,241 S * 2/2009 Suzuki D14/205
D587,242 S * 2/2009 Suzuki D14/205
D587,243 S * 2/2009 Suzuki D14/205
D594,847 S * 6/2009 Suzuki D14/205

FOREIGN PATENT DOCUMENTS

JP D1232008 S 3/2005

* cited by examiner

Fig. 1

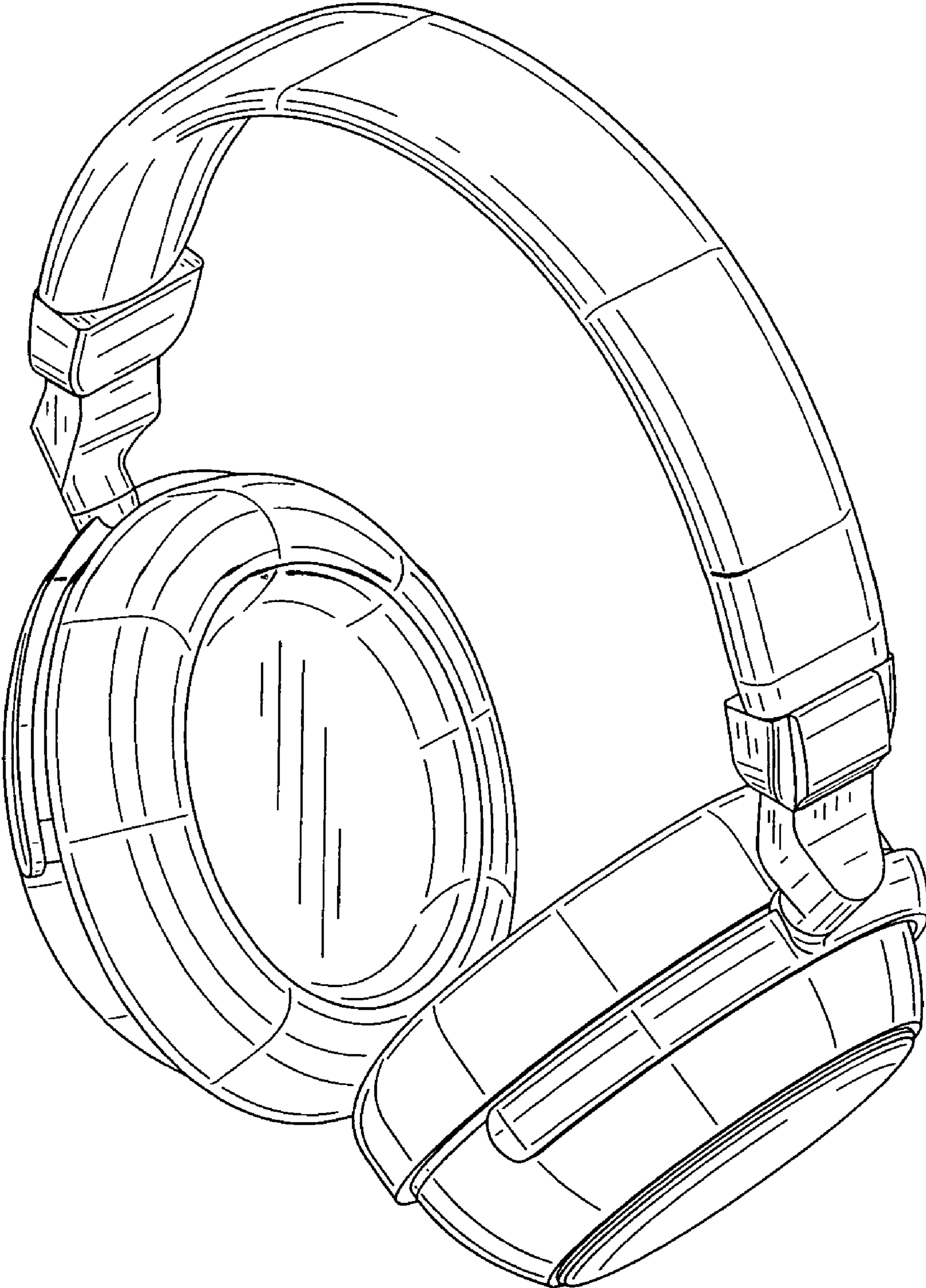


Fig.2



Fig.3



Fig.4

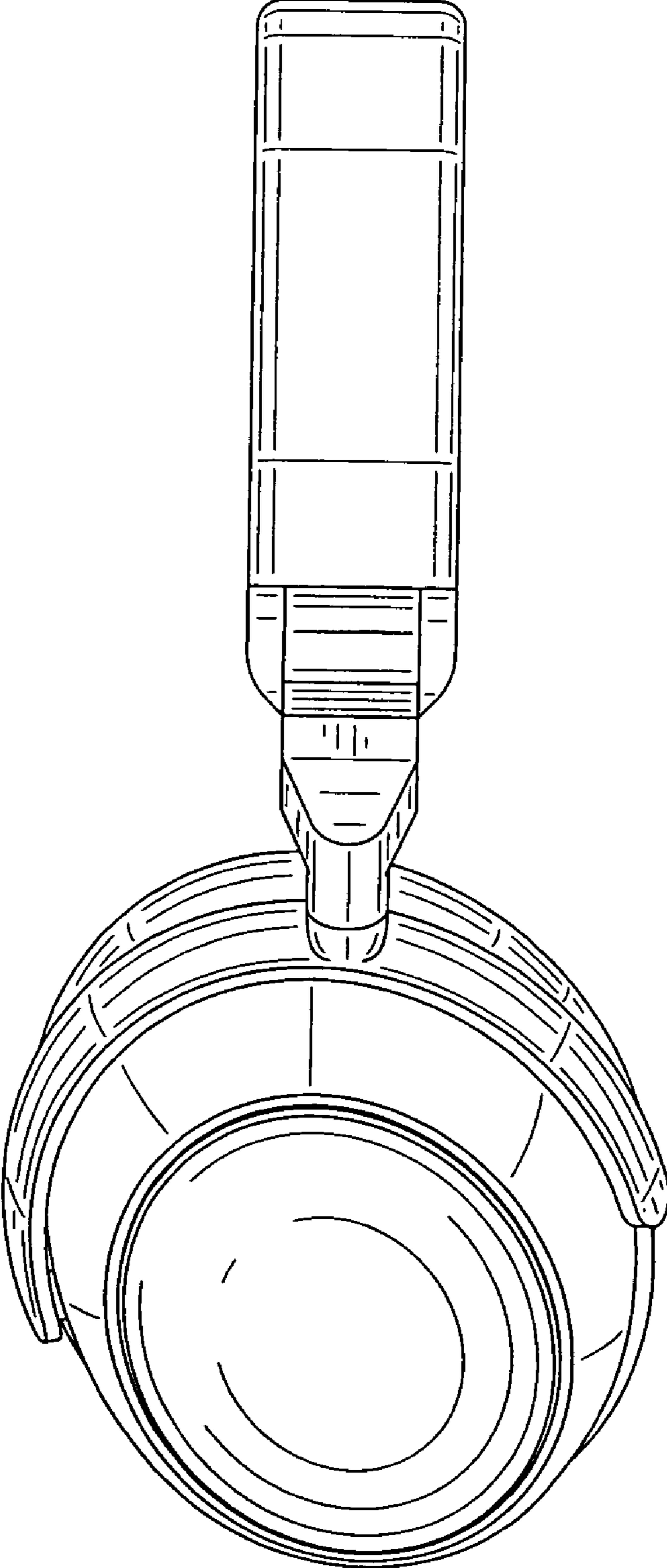


Fig.5

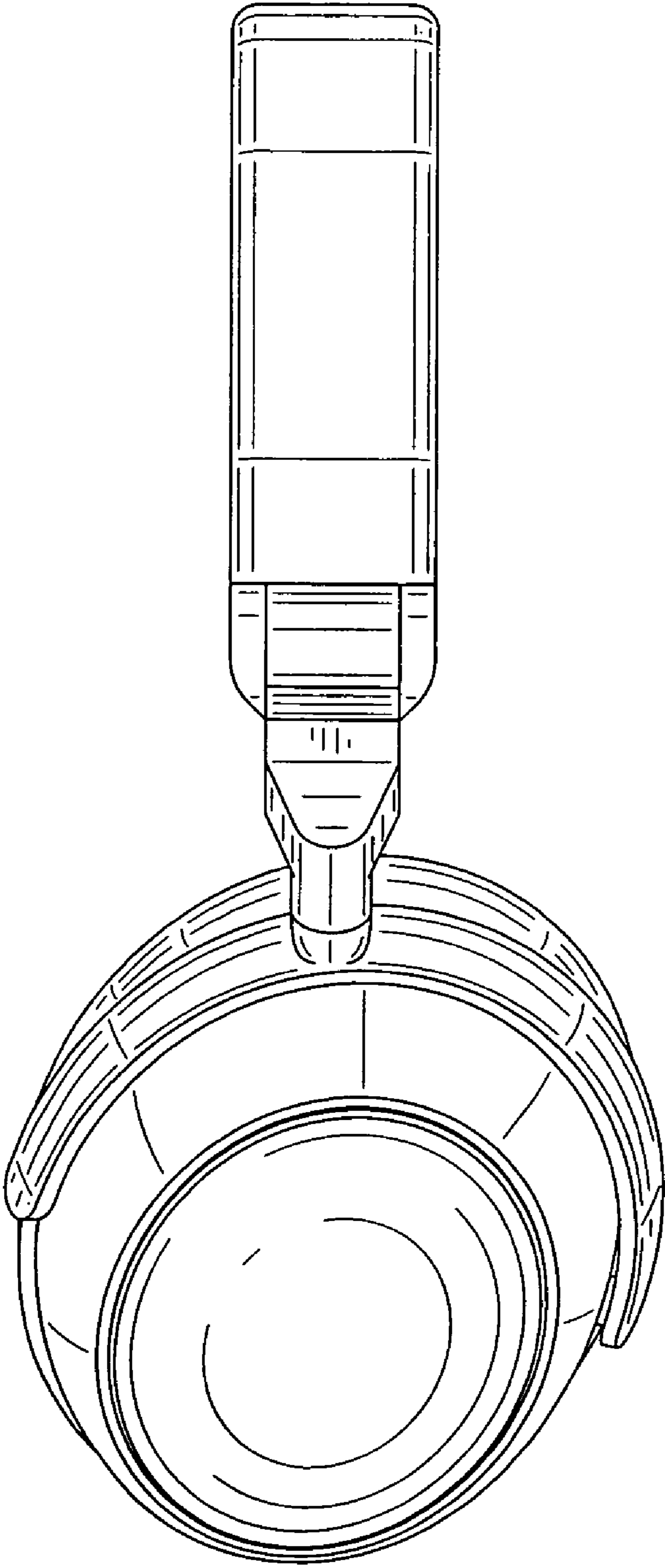


Fig.6

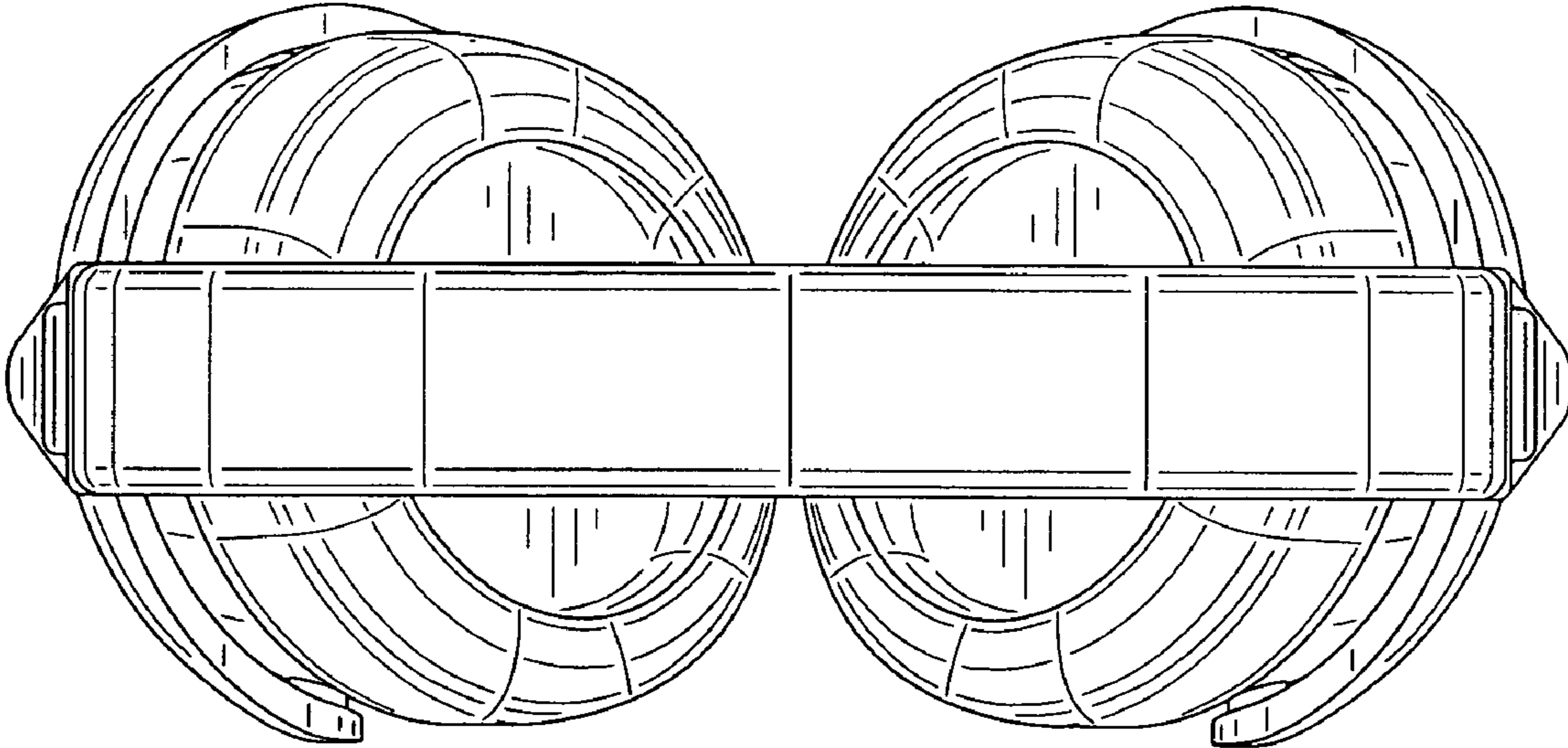


Fig.7

