



US00D603368S

(12) **United States Design Patent**
Jang

(10) **Patent No.:** **US D603,368 S**

(45) **Date of Patent:** **** Nov. 3, 2009**

(54) **AUDIO SYSTEM**

(75) **Inventor:** **Stuart Raymond Jang**, Waltham, MA
(US)

(73) **Assignee:** **Bose Corporation**, Framingham, MA
(US)

(**) **Term:** **14 Years**

(21) **Appl. No.:** **29/323,559**

(22) **Filed:** **Aug. 27, 2008**

(51) **LOC (9) Cl.** **14-03**

(52) **U.S. Cl.** **D14/194**

(58) **Field of Classification Search** D14/137,
D14/138, 155, 160-171, 188, 189, 193-198,
D14/204, 207, 213, 214, 217, 265, 299, 496;
D13/107, 108, 118; 455/90.1-90.3, 344-355,
455/899; 369/6-12; 370/342-344

See application file for complete search history.

(56) **References Cited**

U.S. PATENT DOCUMENTS

D363,719 S *	10/1995	Cindrich et al.	D14/216
D384,069 S *	9/1997	Kokkinis	D14/171
D384,666 S *	10/1997	Kokkinis	D14/171
D484,484 S *	12/2003	Green	D14/204
D512,988 S *	12/2005	Green	D14/214
D514,090 S	1/2006	Carbone et al.		
D514,545 S *	2/2006	Watanabe	D14/499
D514,546 S *	2/2006	Chan	D14/171
D516,542 S *	3/2006	Kang et al.	D14/214
D517,040 S *	3/2006	Hasegawa et al.	D14/168
D537,070 S *	2/2007	Warden	D14/214
D547,303 S *	7/2007	Westrup et al.	D14/214
D563,387 S	3/2008	Aquillano		

D563,388 S	3/2008	Aquillano		
D564,542 S *	3/2008	Green et al.	D14/496
D572,237 S *	7/2008	Hsiung	D14/214
D576,148 S	9/2008	Lee, Jr. et al.		
D577,002 S *	9/2008	Kurihara	D14/170
D579,025 S *	10/2008	Liu	D14/496
D581,903 S *	12/2008	Joseph	D14/214
D584,281 S *	1/2009	Kim et al.	D14/188
D587,238 S *	2/2009	Xie	D14/172
D593,130 S *	5/2009	Smith	D14/496
2009/0112338 A1 *	4/2009	Ueda	700/94

* cited by examiner

Primary Examiner—Stella M Reid

Assistant Examiner—Keli L Hill

(74) *Attorney, Agent, or Firm*—Bose Corporation

(57) **CLAIM**

The ornamental design for an audio system, substantially as shown and described.

DESCRIPTION

FIG. 1 is a perspective view of an audio system as seen from the front, top and left side;

FIG. 2 is a front view thereof;

FIG. 3 is a back view thereof;

FIG. 4 is a top view thereof;

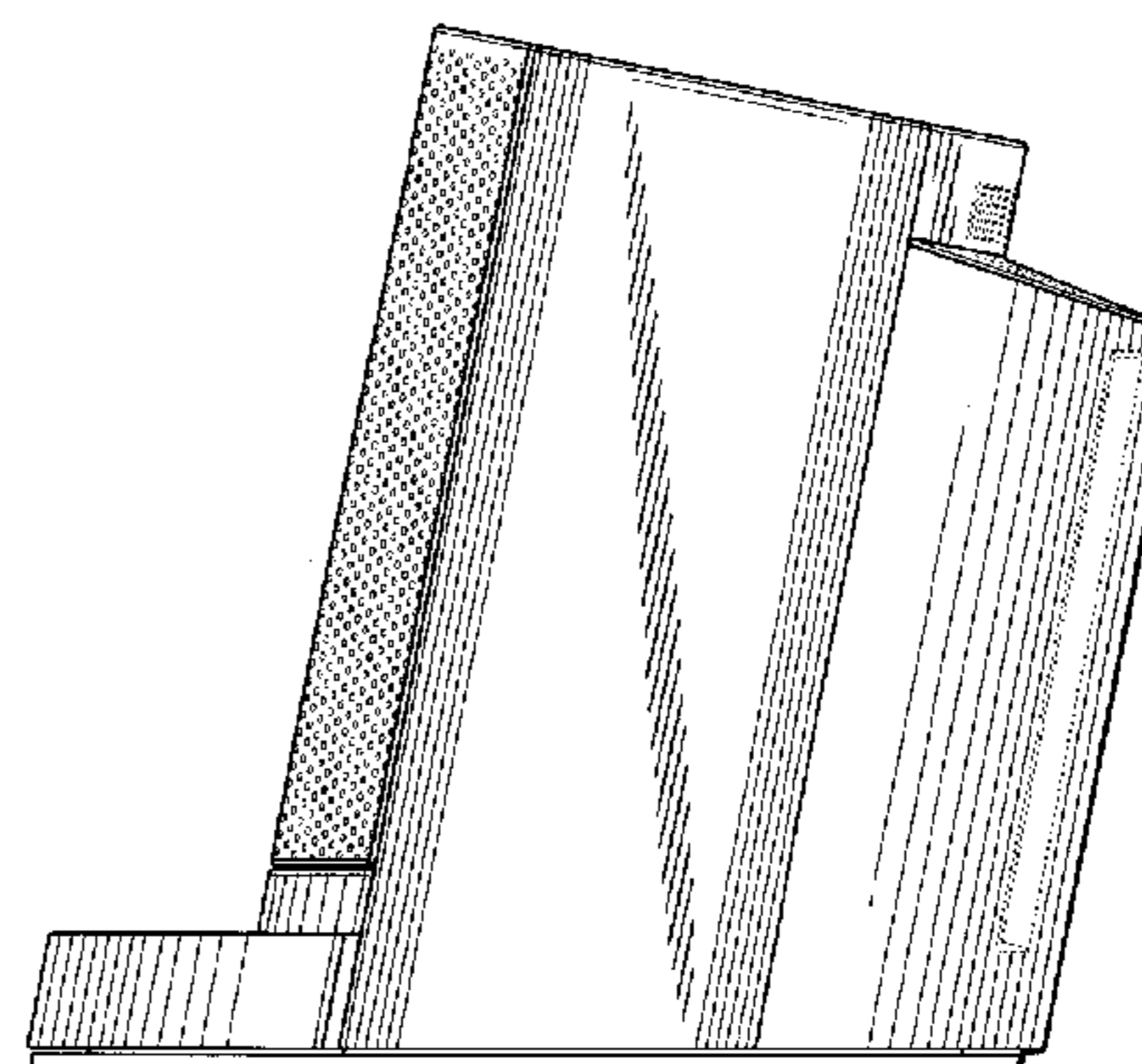
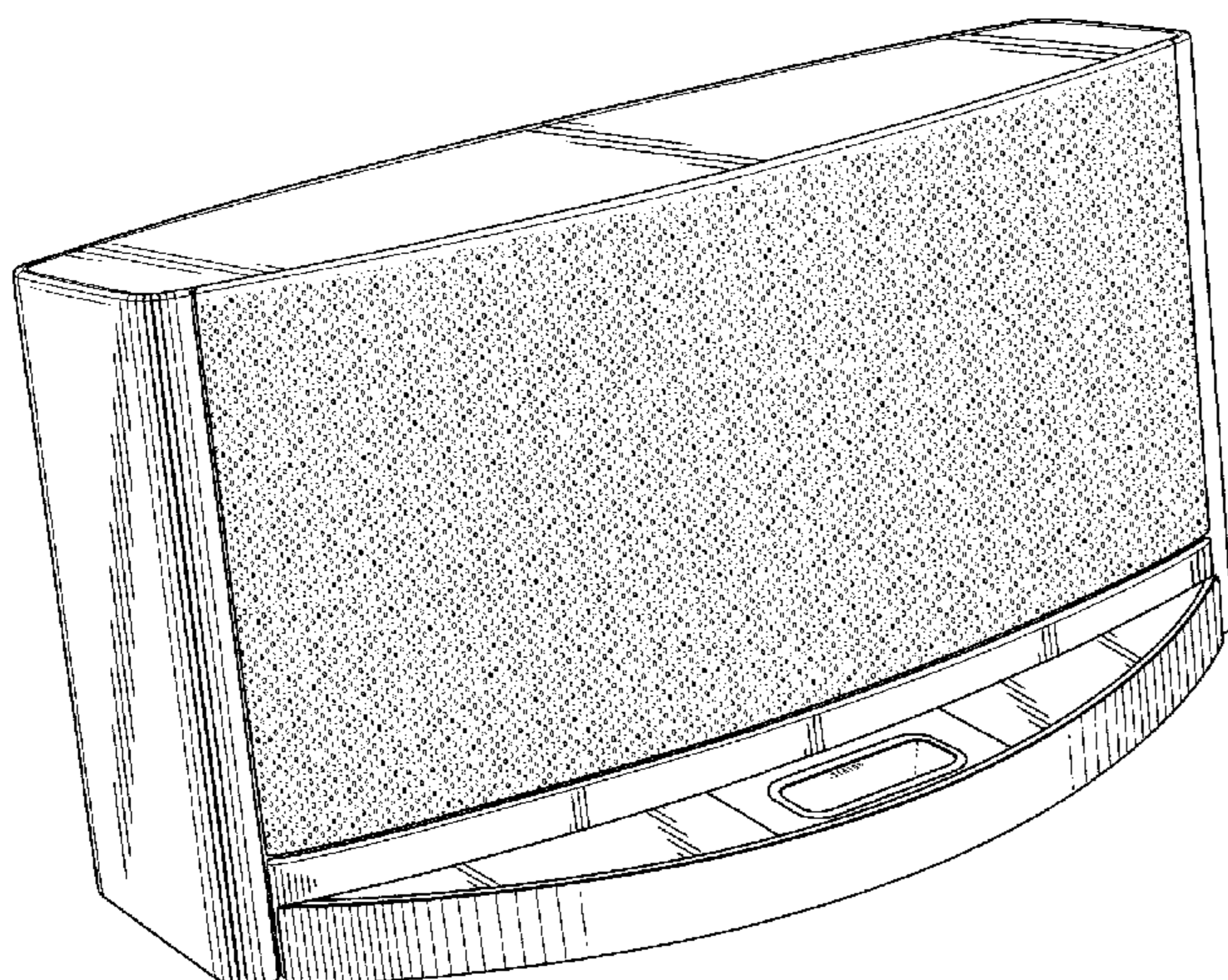
FIG. 5 is a bottom view thereof;

FIG. 6 is a left side view thereof; and,

FIG. 7 is a right side view thereof.

The dotted line portions of the drawings represent environmental structure only and do not form part of the claimed design.

1 Claim, 7 Drawing Sheets



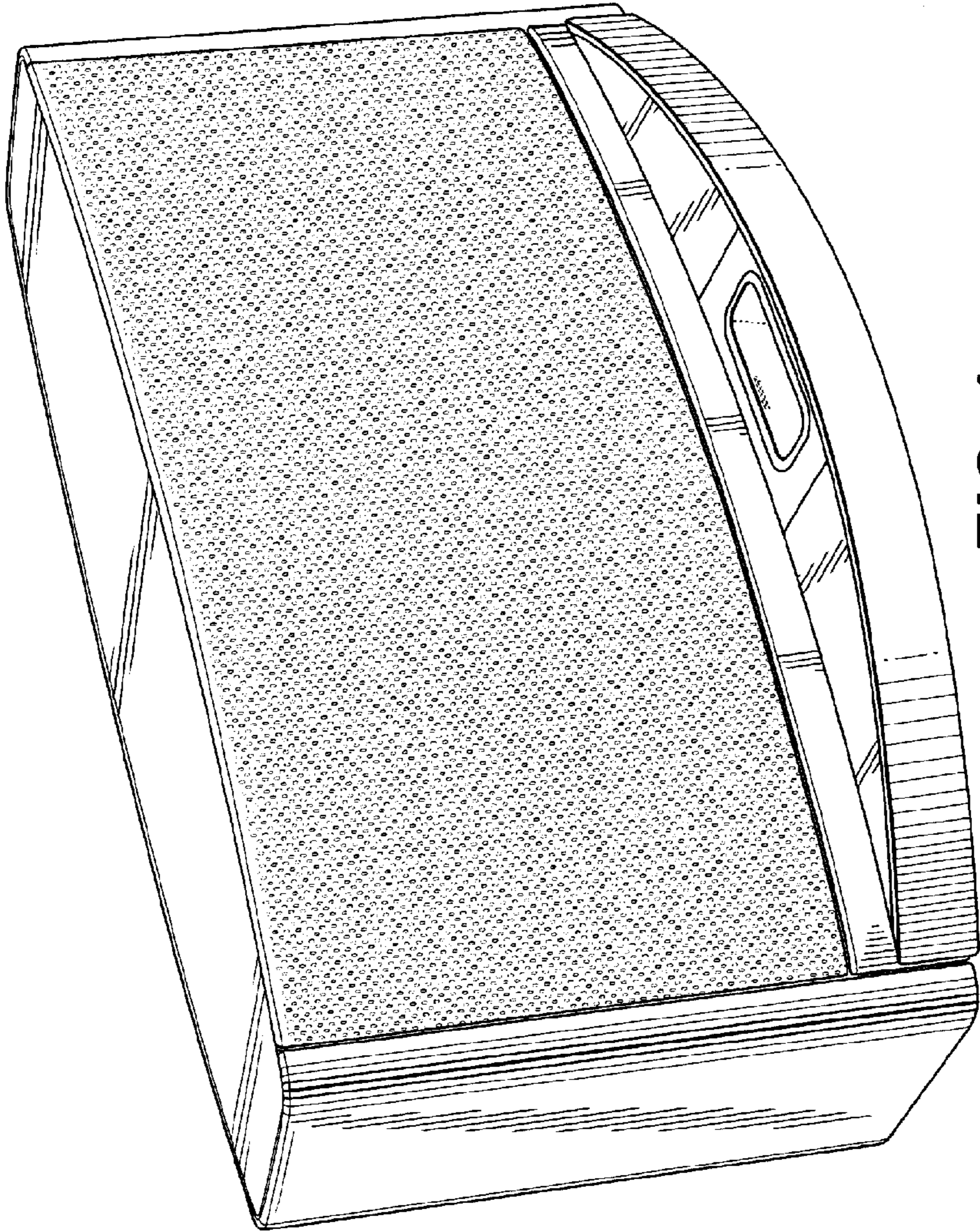


FIG. 1

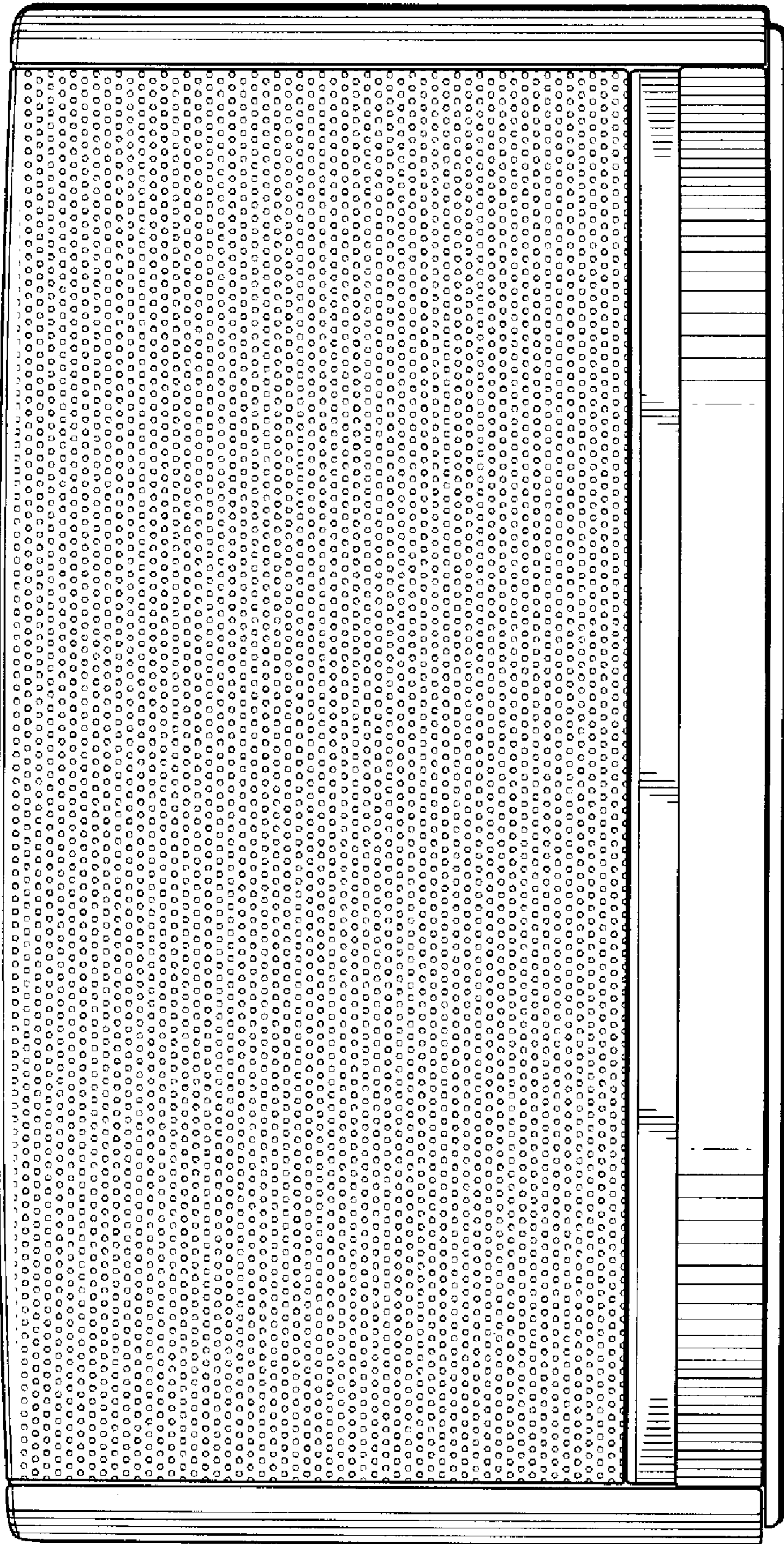


FIG. 2

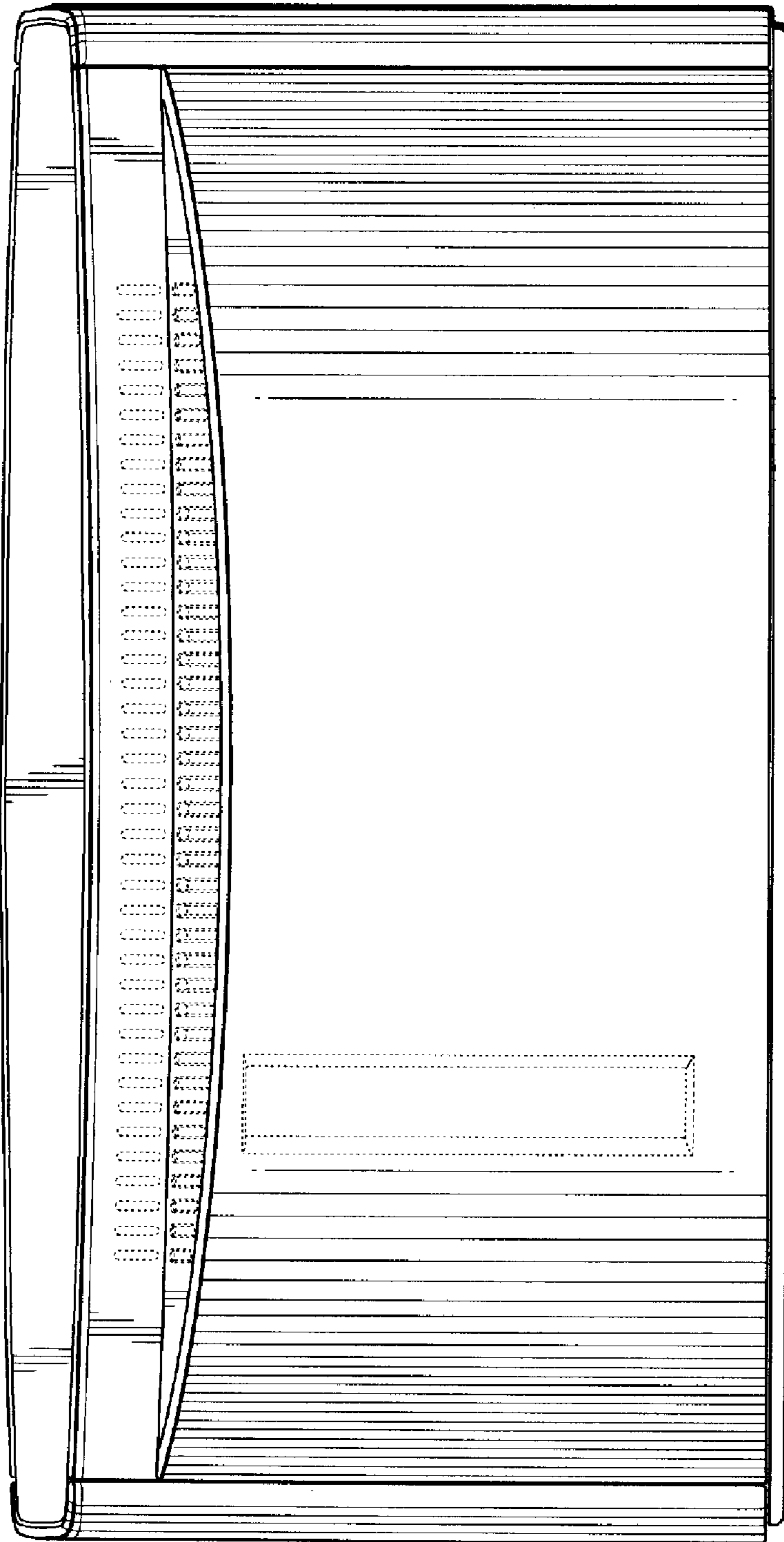


FIG. 3

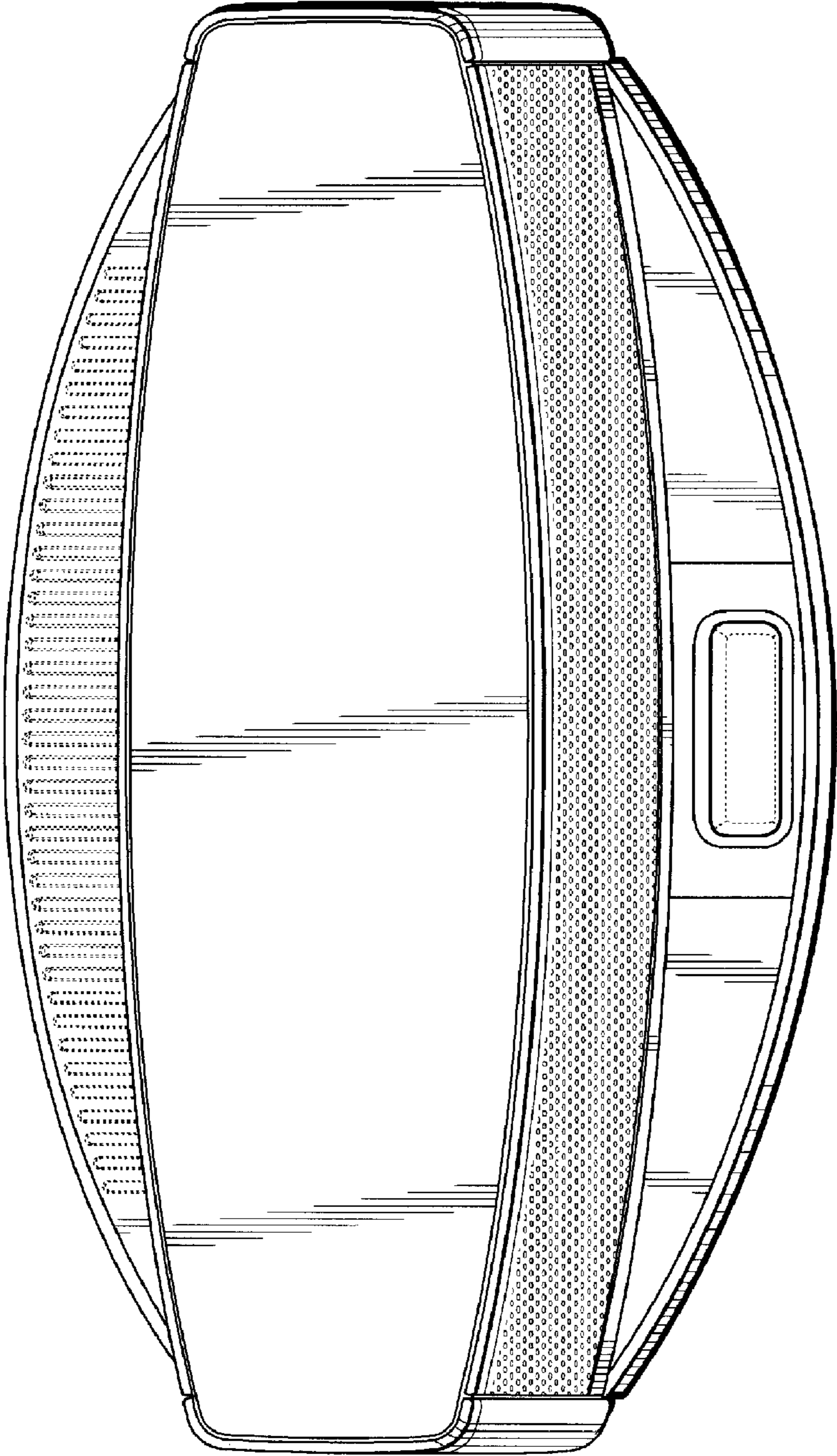


FIG. 4

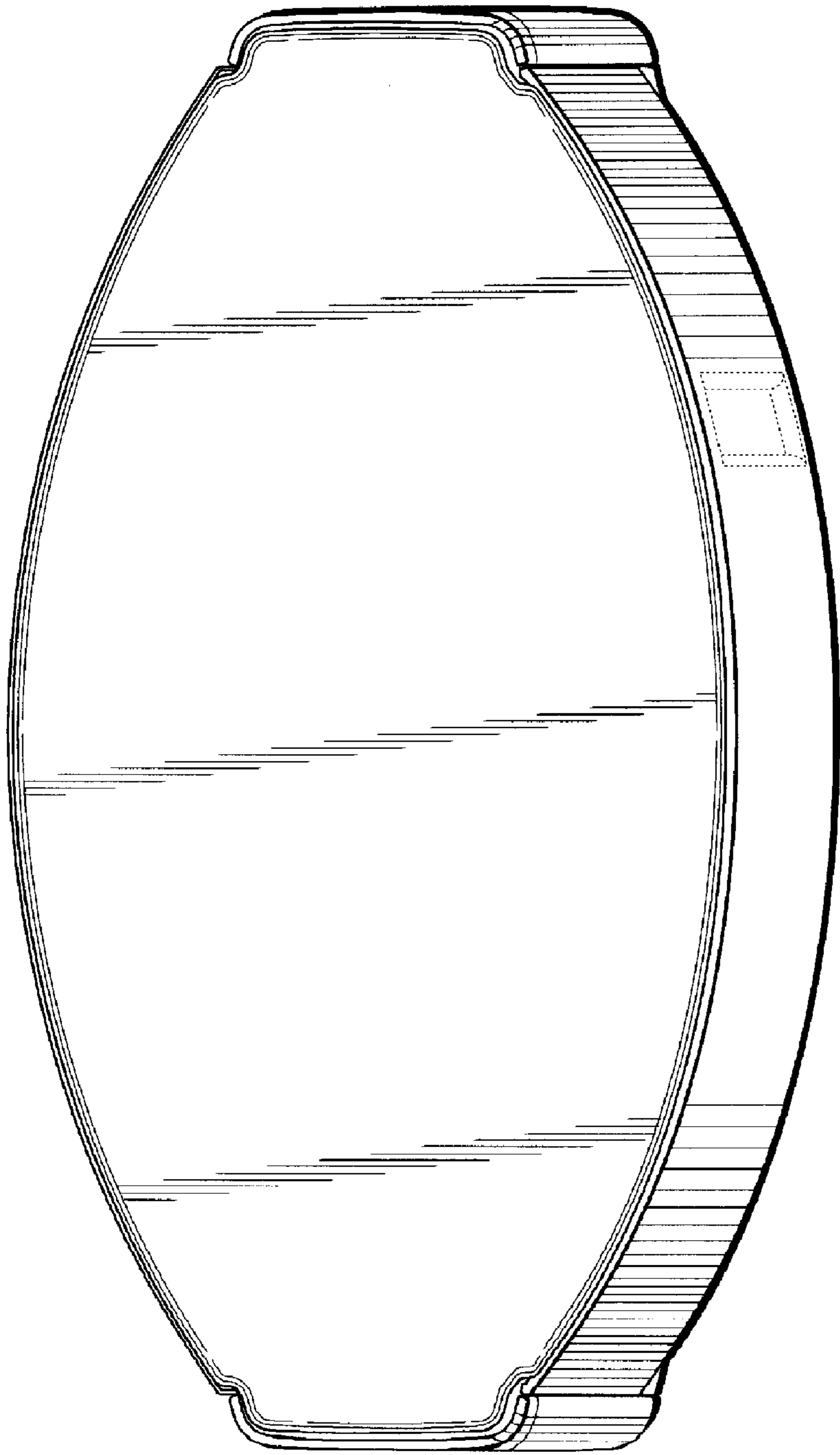


FIG. 5

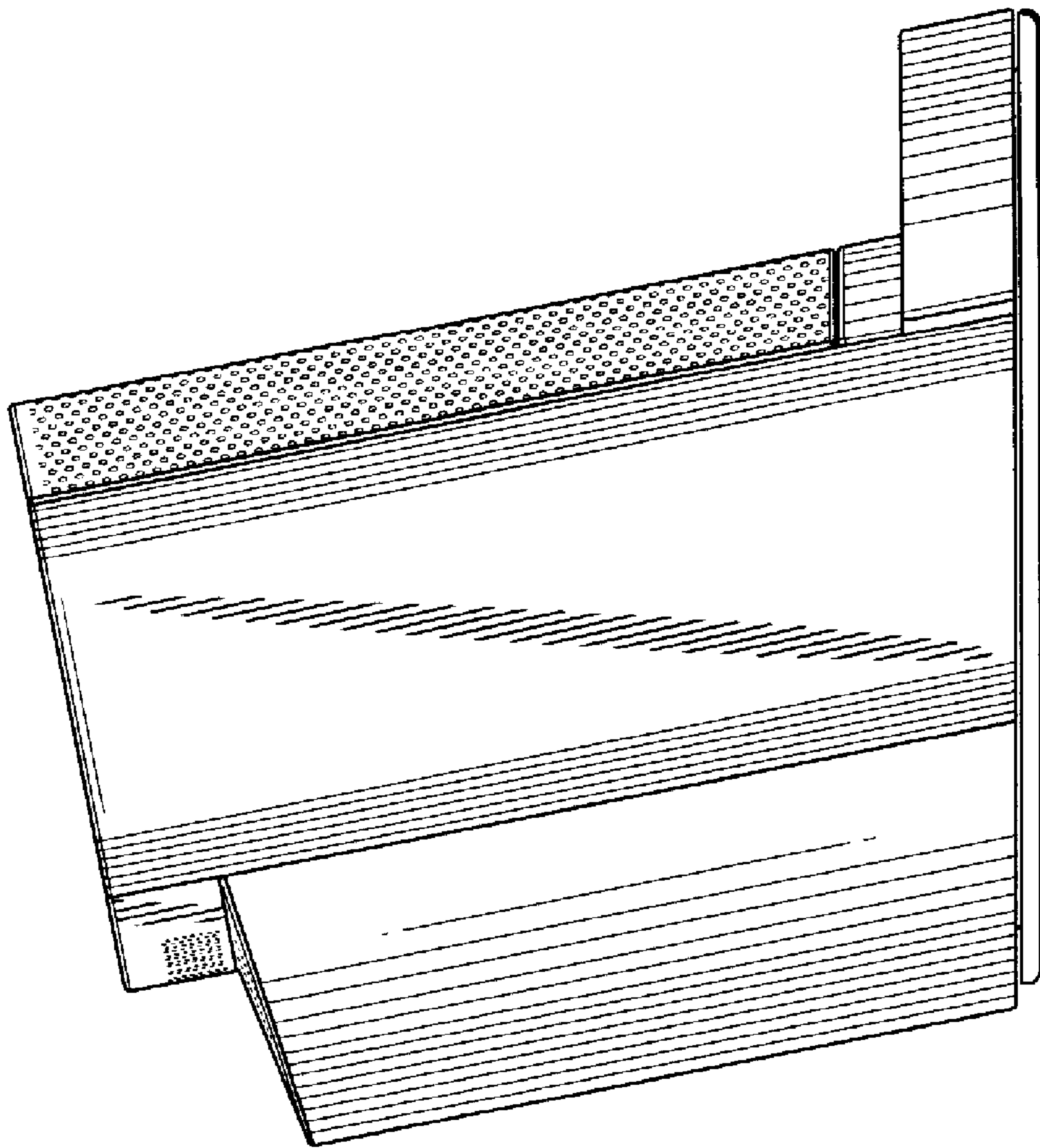


FIG. 6

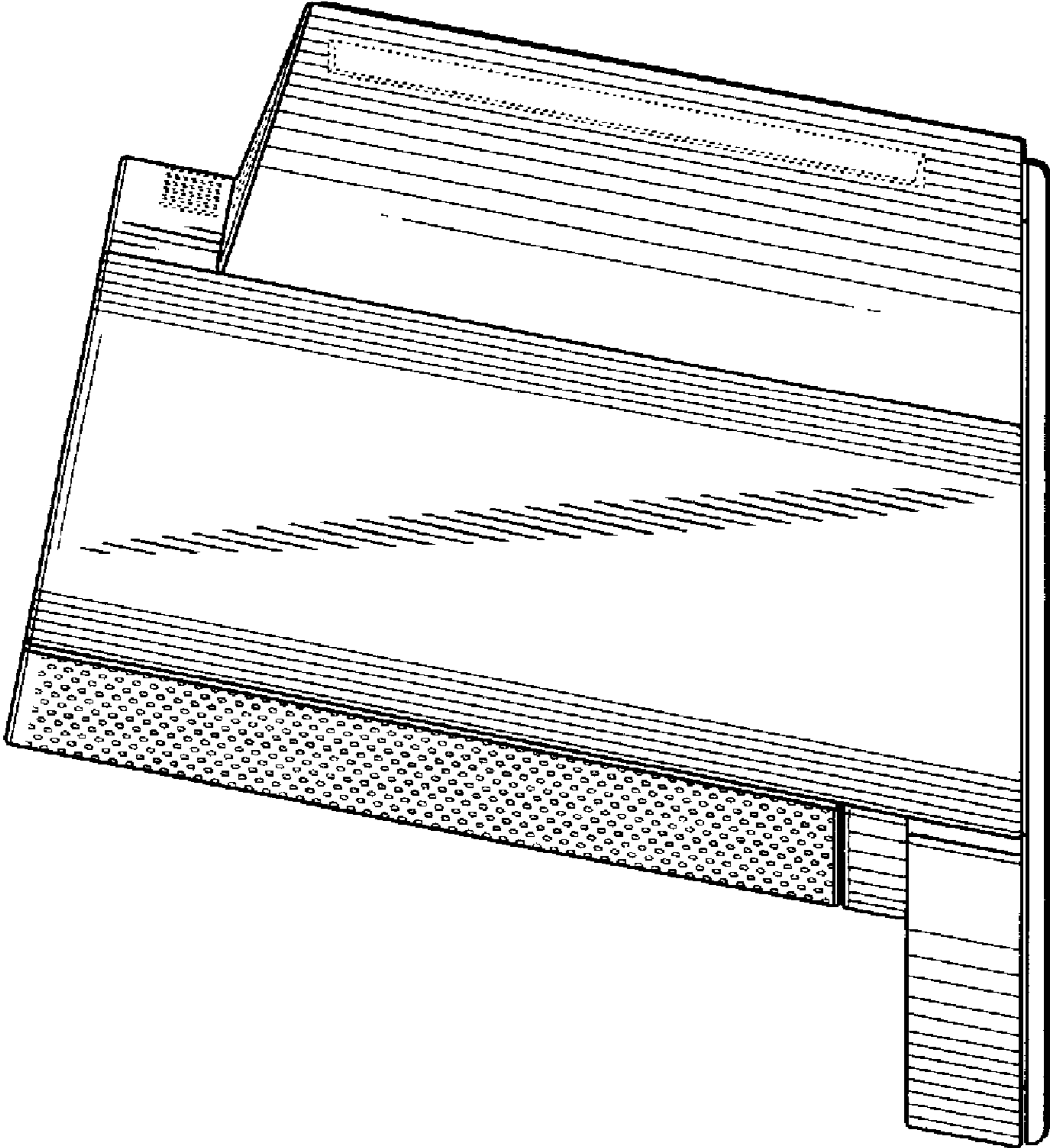


FIG. 7