



US00D603367S

(12) **United States Design Patent**  
**Shimizu**

(10) **Patent No.:** **US D603,367 S**

(45) **Date of Patent:** **\*\* Nov. 3, 2009**

(54) **DIGITAL AUDIO DISC PLAYER**

(75) Inventor: **Akari Shimizu**, Shinjuku-ku (JP)

(73) Assignee: **Clarion Co., Ltd.**, Tokyo (JP)

(\*\*) Term: **14 Years**

(21) Appl. No.: **29/329,466**

(22) Filed: **Dec. 16, 2008**

(51) **LOC (9) Cl.** ..... **14-01**

(52) **U.S. Cl.** ..... **D14/157**

(58) **Field of Classification Search** ..... D14/496,  
D14/498-505, 137, 157, 167-168, 188, 197-198,  
D14/257-258; 360/99.02, 99.07; 369/75.11,  
369/75.21, 77.11, 77.21; 720/601, 612, 619,  
720/649, 655; 455/344, 347-351

See application file for complete search history.

(56) **References Cited**

**U.S. PATENT DOCUMENTS**

D303,802 S \* 10/1989 Culbertson ..... D14/137  
D379,813 S \* 6/1997 Funayama et al. .... D14/188  
D489,355 S \* 5/2004 Yeh ..... D14/168  
D535,958 S \* 1/2007 Yamamoto et al. .... D14/502

D563,952 S \* 3/2008 Yamamoto et al. .... D14/258

\* cited by examiner

*Primary Examiner*—Nanda Bondade

(74) *Attorney, Agent, or Firm*—Oliff & Berridge, PLC

(57) **CLAIM**

The ornamental design for a digital audio disc player, as shown and described.

**DESCRIPTION**

FIG. 1 is an enlarged perspective view of a digital audio disc player;

FIG. 2 is a front view thereof;

FIG. 3 is a rear view thereof;

FIG. 4 is a left-side view thereof;

FIG. 5 is a right-side view thereof;

FIG. 6 is top view thereof; and,

FIG. 7 is a bottom view thereof.

The broken line showing on the drawing disclosure is for illustrative purposes only and forms no part of the claimed design.

**1 Claim, 5 Drawing Sheets**

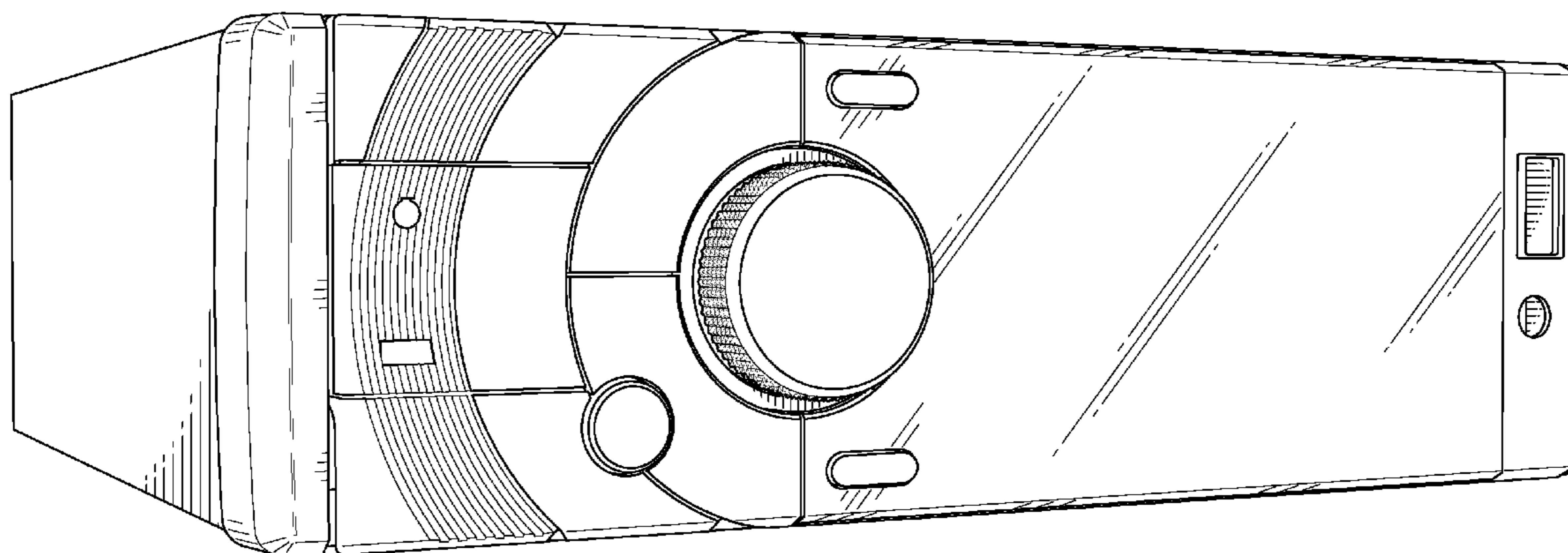


FIG.1

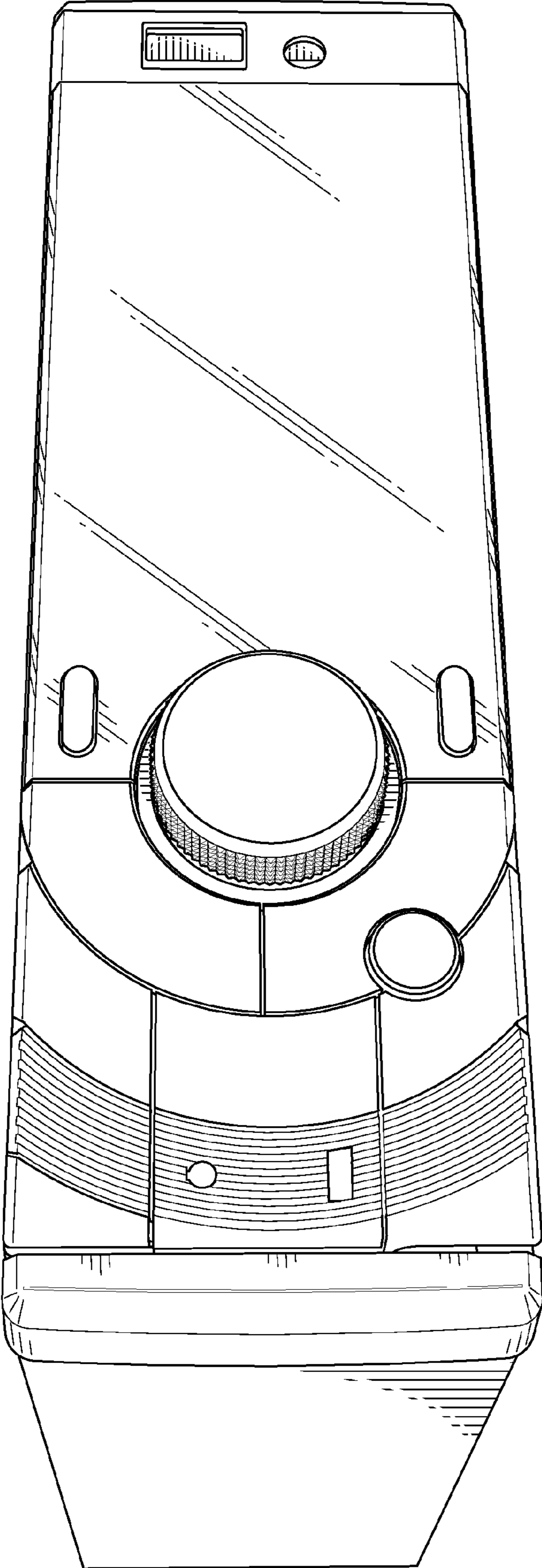


FIG.2

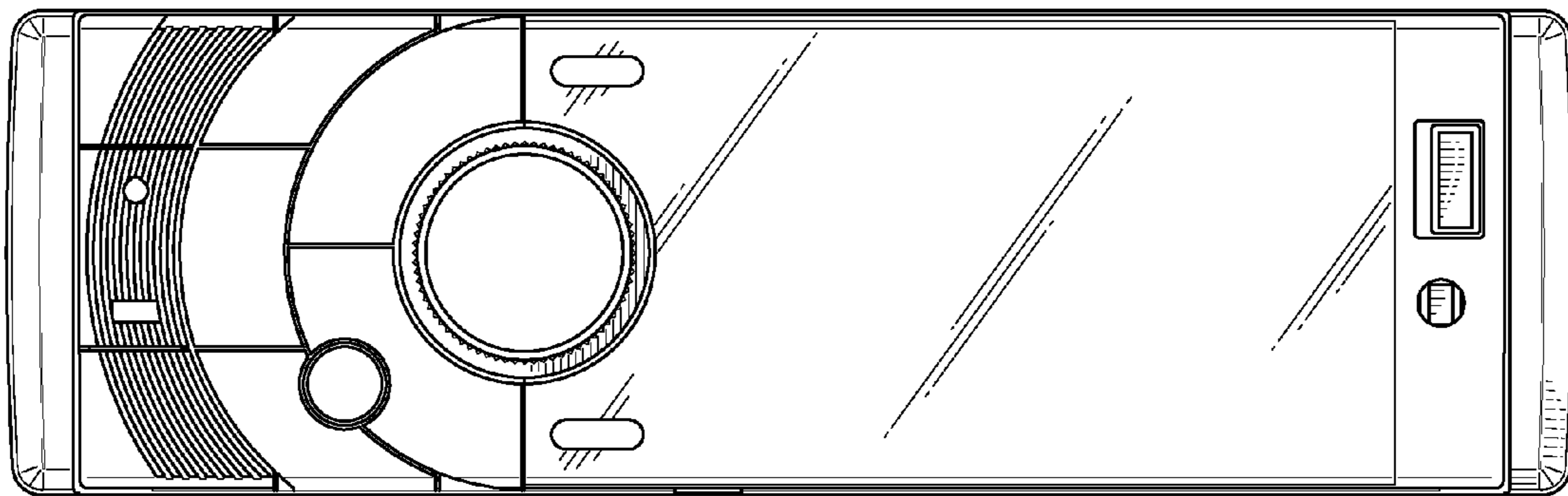


FIG.3

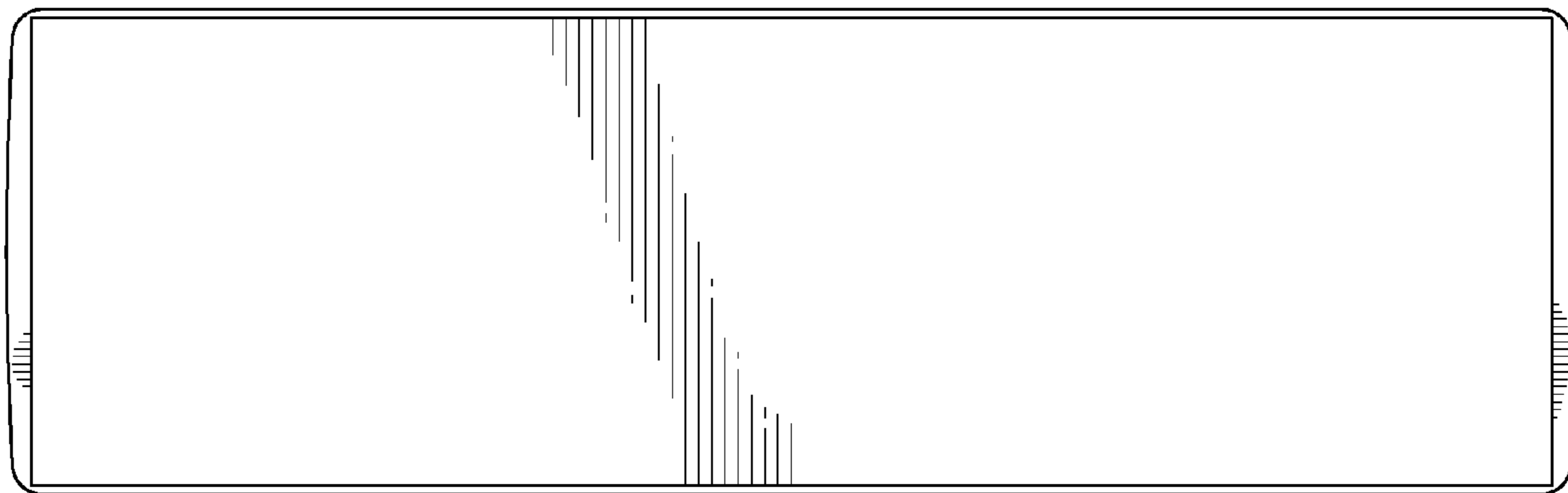


FIG.4

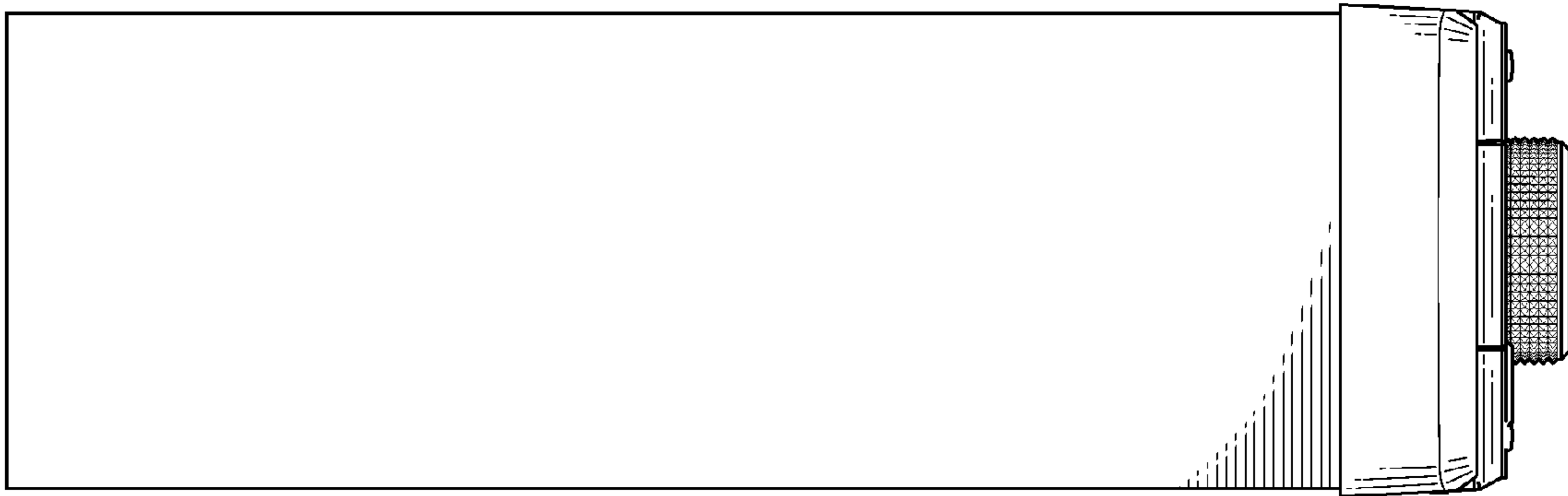


FIG.5

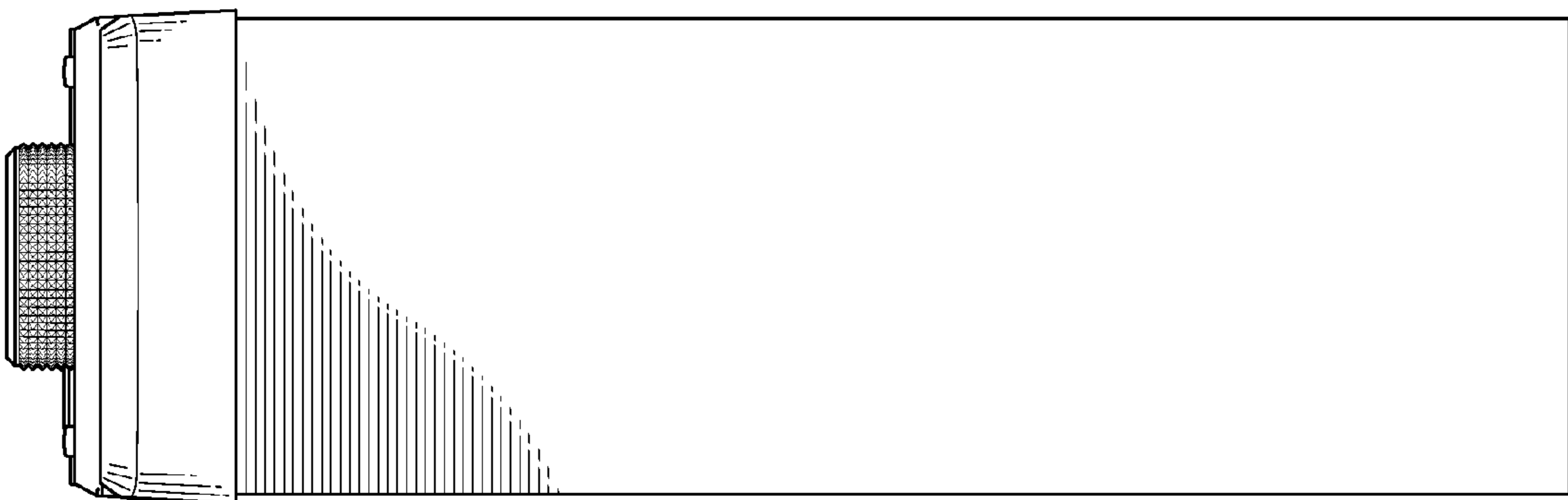


FIG.6

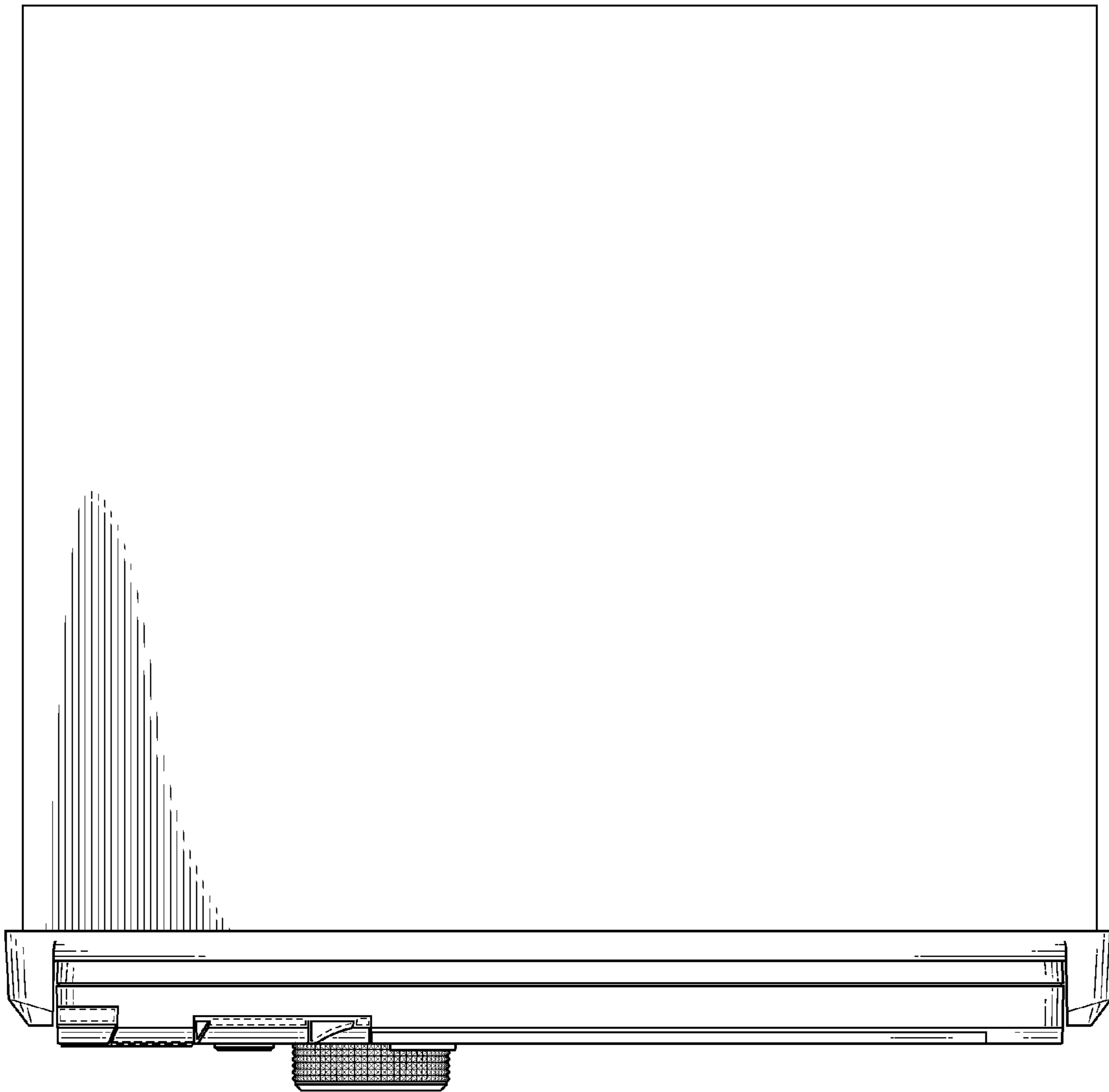
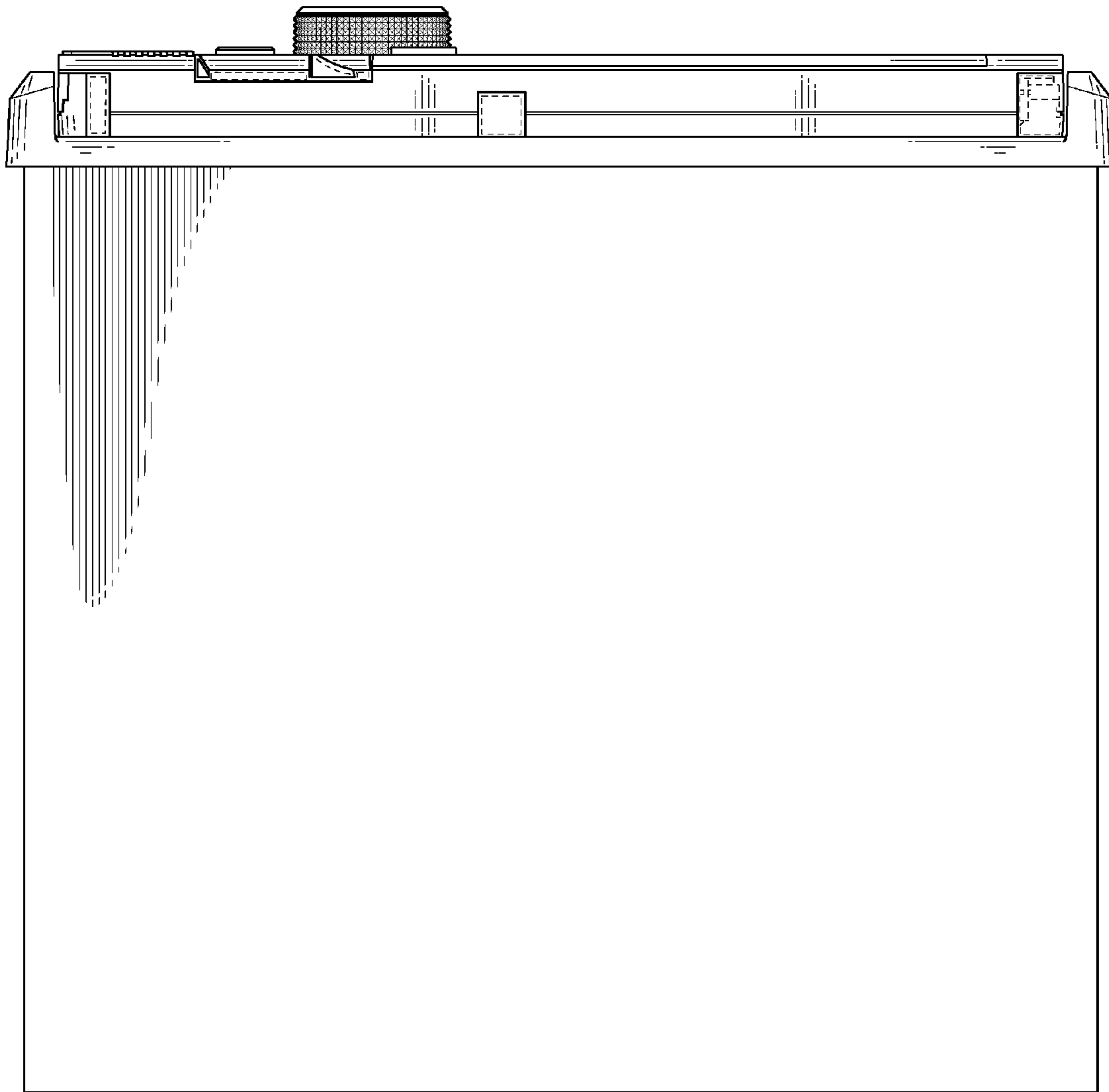


FIG. 7



UNITED STATES PATENT AND TRADEMARK OFFICE  
**CERTIFICATE OF CORRECTION**

PATENT NO. : Des. 603,367 S  
APPLICATION NO. : 29/329466  
DATED : November 3, 2009  
INVENTOR(S) : Shimizu

Page 1 of 1

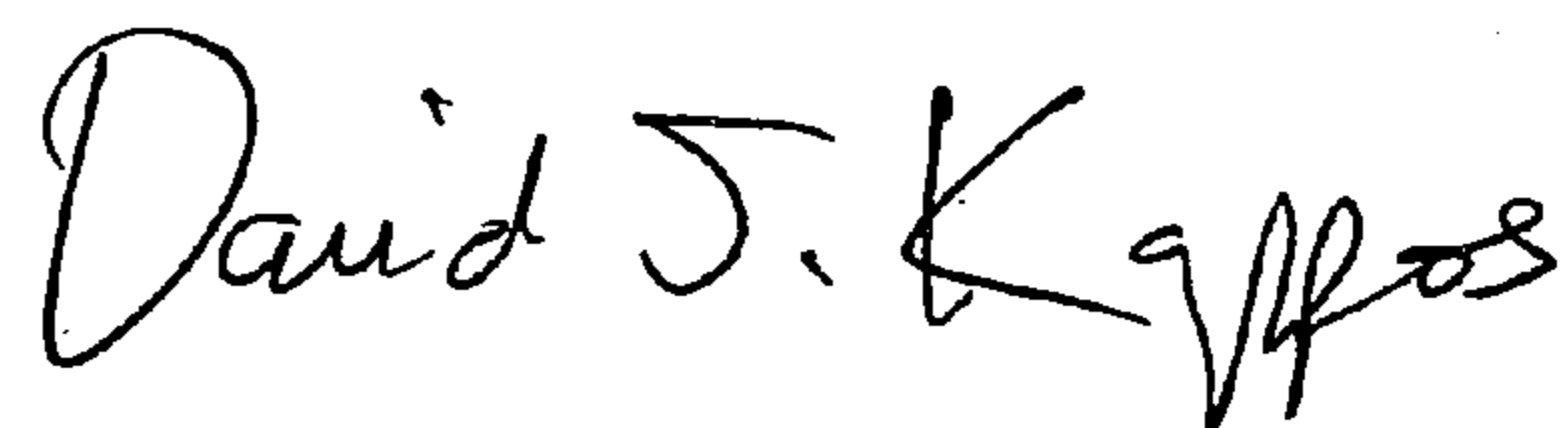
It is certified that error appears in the above-identified patent and that said Letters Patent is hereby corrected as shown below:

Title Page, Item (75) Inventor should read:

(75) Akari Shimizu, Tokyo (JP)

Signed and Sealed this

Nineteenth Day of January, 2010

A handwritten signature in black ink that reads "David J. Kappos". The signature is written in a cursive, flowing style.

David J. Kappos  
*Director of the United States Patent and Trademark Office*