



US00D603364S

(12) **United States Design Patent**  
**Song et al.**

(10) **Patent No.:** **US D603,364 S**

(45) **Date of Patent:** **\*\* Nov. 3, 2009**

(54) **MOBILE PHONE**

(75) Inventors: **Han-Gil Song**, Seoul (KR); **Sang-Min Hyun**, Seoul (KR); **Seog-Guen Kim**, Seoul (KR)

(73) Assignee: **Samsung Electronics Co., Ltd.**, Suwon-si (KR)

(\*\*) Term: **14 Years**

(21) Appl. No.: **29/332,133**

(22) Filed: **Feb. 10, 2009**

(30) **Foreign Application Priority Data**

Dec. 2, 2008 (KR) ..... 30-2008-0051937

(51) **LOC (9) Cl.** ..... **14-03**

(52) **U.S. Cl.** ..... **D14/138 AB**

(58) **Field of Classification Search** ..... D14/138 AB,  
D14/496, 345, 346, 203.3, 203.4, 203.7, 138 AD,  
D14/327; 455/575.3; D21/329-331

See application file for complete search history.

(56) **References Cited**

**U.S. PATENT DOCUMENTS**

- D321,865 S \* 11/1991 Derocher ..... D14/345
- D488,154 S \* 4/2004 Lovelady et al. .... D14/345
- D520,976 S \* 5/2006 LaDelfa ..... D14/138 AB
- D544,852 S \* 6/2007 Takamori et al. .... D14/138 AA
- D559,218 S \* 1/2008 Park et al. .... D14/138 AB
- D559,816 S \* 1/2008 Moon et al. .... D14/138 AB
- D560,194 S \* 1/2008 Song et al. .... D14/138 AB
- D561,719 S \* 2/2008 Cho ..... D14/138 AB
- D561,722 S \* 2/2008 Kim et al. .... D14/138 AB
- D561,728 S \* 2/2008 Kim et al. .... D14/138 AB
- D566,077 S \* 4/2008 Kim et al. .... D14/138 AB
- D567,207 S \* 4/2008 Kim et al. .... D14/138 AB
- D568,281 S \* 5/2008 Lee ..... D14/138 AB
- D572,690 S \* 7/2008 Kim et al. .... D14/138 AB
- D573,575 S \* 7/2008 Song et al. .... D14/138 AB
- D576,601 S \* 9/2008 Yasuda et al. .... D14/138 AB
- D578,988 S \* 10/2008 Chung et al. .... D14/138 AB
- D581,383 S \* 11/2008 Kim et al. .... D14/138 AB
- 7,483,723 B2 \* 1/2009 Soderlund ..... 455/575.1
- D589,488 S \* 3/2009 Kim et al. .... D14/138 AB
- D592,166 S \* 5/2009 Song ..... D14/138 AD

- D593,051 S \* 5/2009 Chung ..... D14/138 AB
- 2005/0261040 A1 \* 11/2005 Andersson et al. .... 455/575.3
- 2006/0135225 A1 \* 6/2006 Lin et al. .... 455/575.3
- 2007/0004475 A1 \* 1/2007 Kuo et al. .... 455/575.3
- 2007/0191077 A1 \* 8/2007 Shin ..... 455/575.3

**OTHER PUBLICATIONS**

BenQ-Siemens EF71 telephone, announced May 2006, [online], [site visited Jun. 16, 2009]. Available from Internet ,<URL: <http://www.gsmarena.com>>.\*

NEC e949/L1 telephone, announced 2<sup>nd</sup> quarter 2005, [online], [site visited Jun. 16, 2009]. Available from Internet ,<URL: <http://www.gsmarena.com>>.\*

NEC e636 telephone, announced Feb. 2006, [online], [site visited Jun. 16, 2009]. Available from Internet ,<URL: <http://www.gsmarena.com>>.\*

NEC N610 telephone, announced 2<sup>rd</sup> quarter 2004, [online], [site visited Jun. 16, 2009]. Available from Internet ,<URL: <http://www.gsmarena.com>>.\*

\* cited by examiner

*Primary Examiner*—Jeffrey D Asch

(74) *Attorney, Agent, or Firm*—Staas & Halsey LLP

(57) **CLAIM**

The ornamental design for a mobile phone, as shown and described.

**DESCRIPTION**

FIG. 1 is a front perspective view of a mobile phone;  
 FIG. 2 is a front view of the mobile phone of FIG. 1;  
 FIG. 3 is a rear view of the mobile phone of FIG. 1;  
 FIG. 4 is a left-side view of the mobile phone of FIG. 1;  
 FIG. 5 is a right-side view of the mobile phone of FIG. 1;  
 FIG. 6 is a top plan view of the mobile phone of FIG. 1;  
 FIG. 7 is a bottom plan view of the mobile phone of FIG. 1;  
 and,  
 FIG. 8 is an open perspective view of the mobile phone of FIG. 1.

**1 Claim, 5 Drawing Sheets**

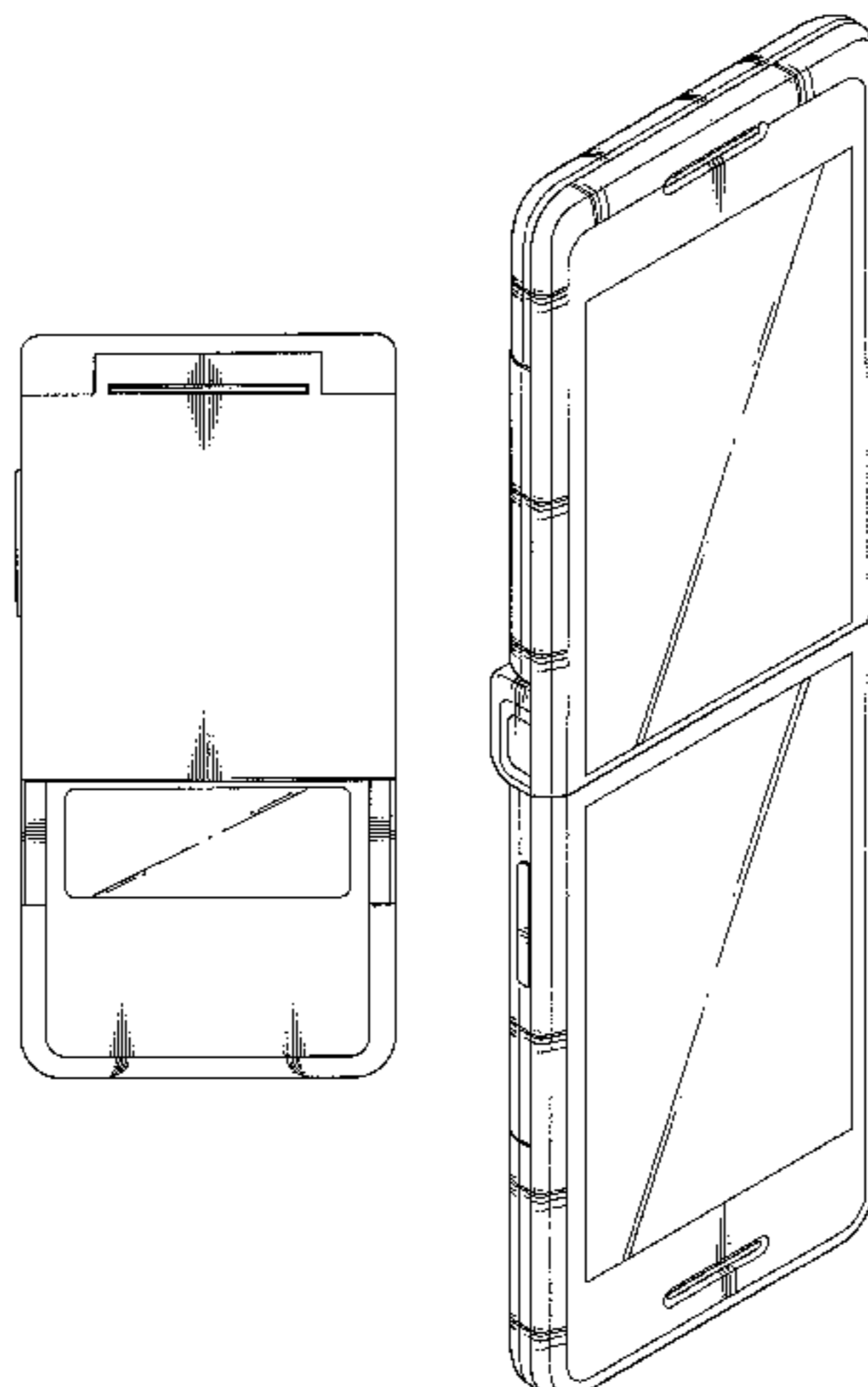


FIG. 1

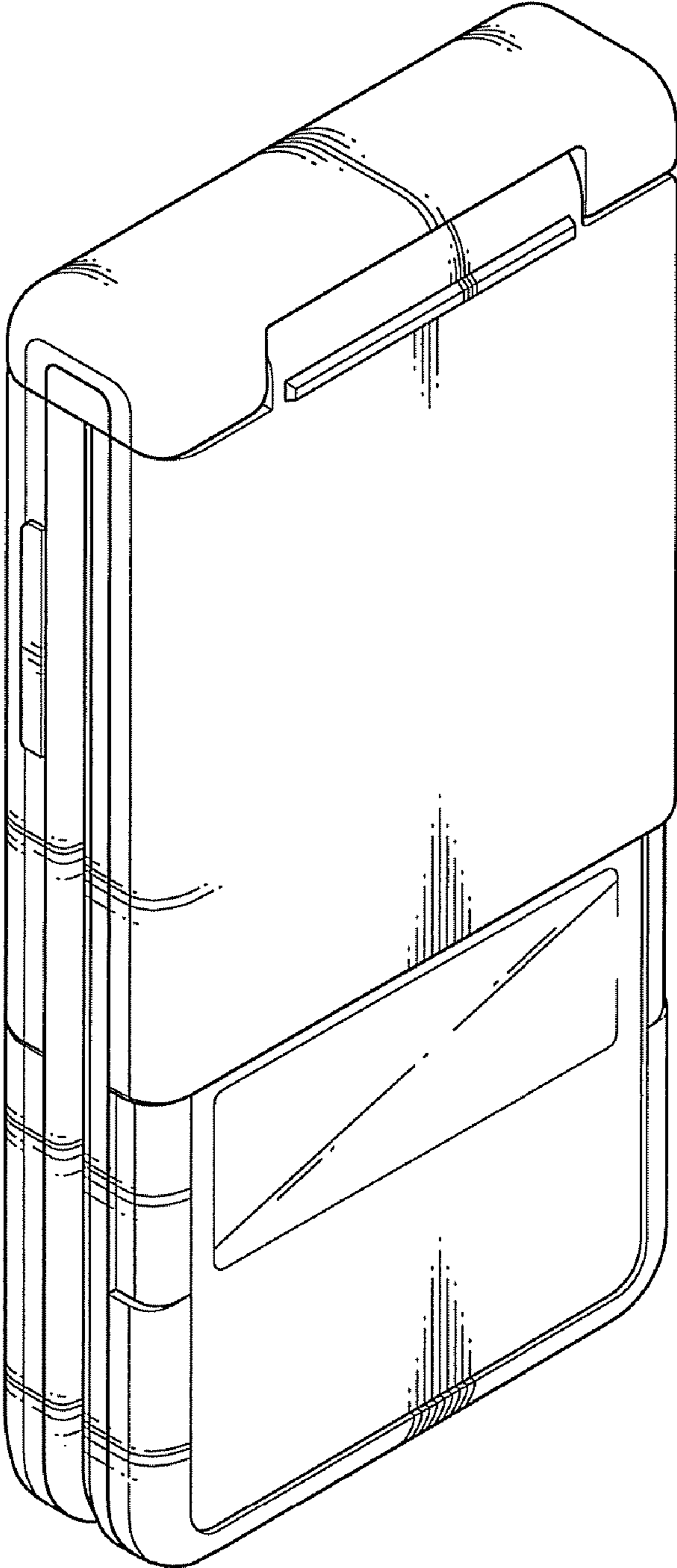


FIG. 2

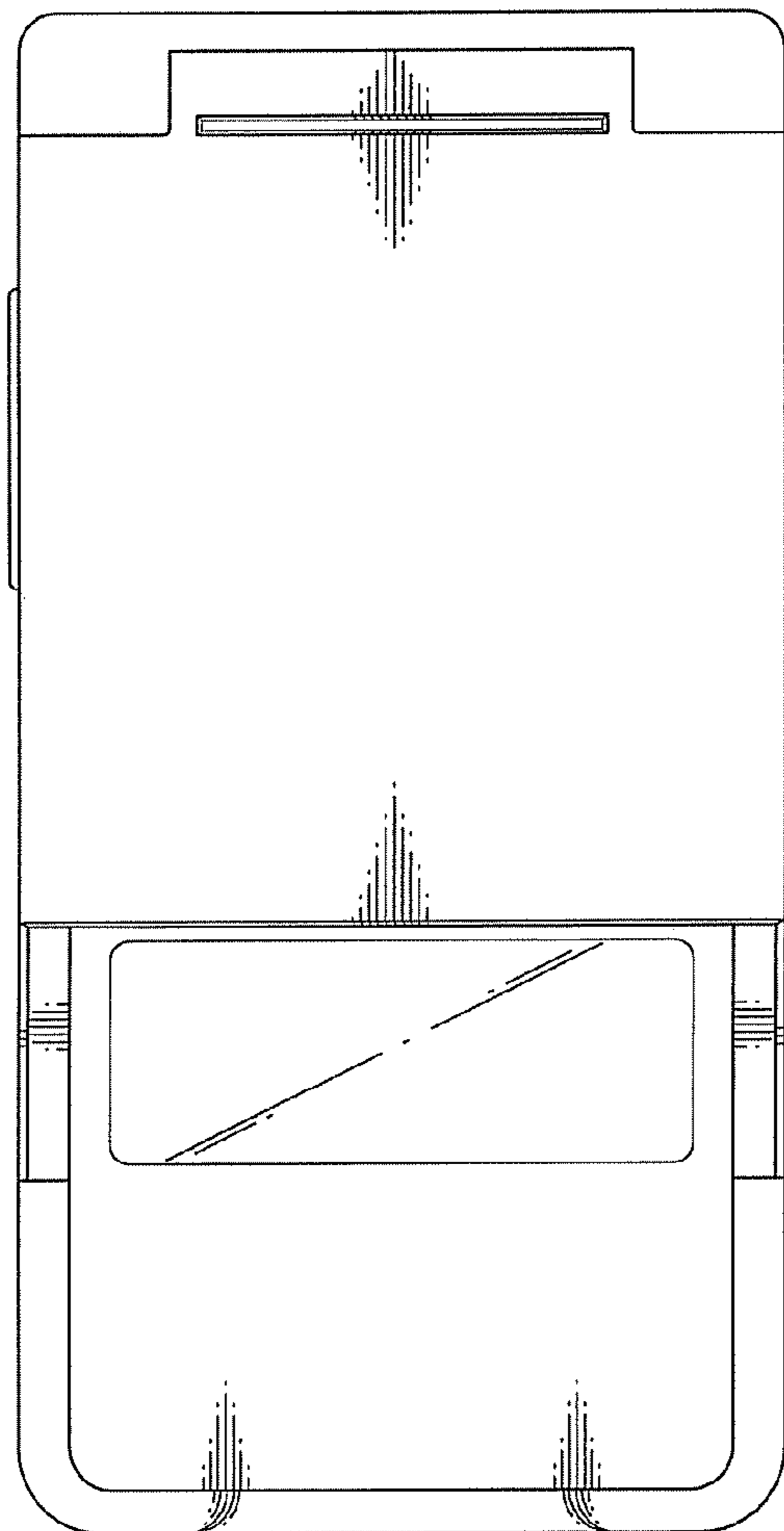


FIG. 3

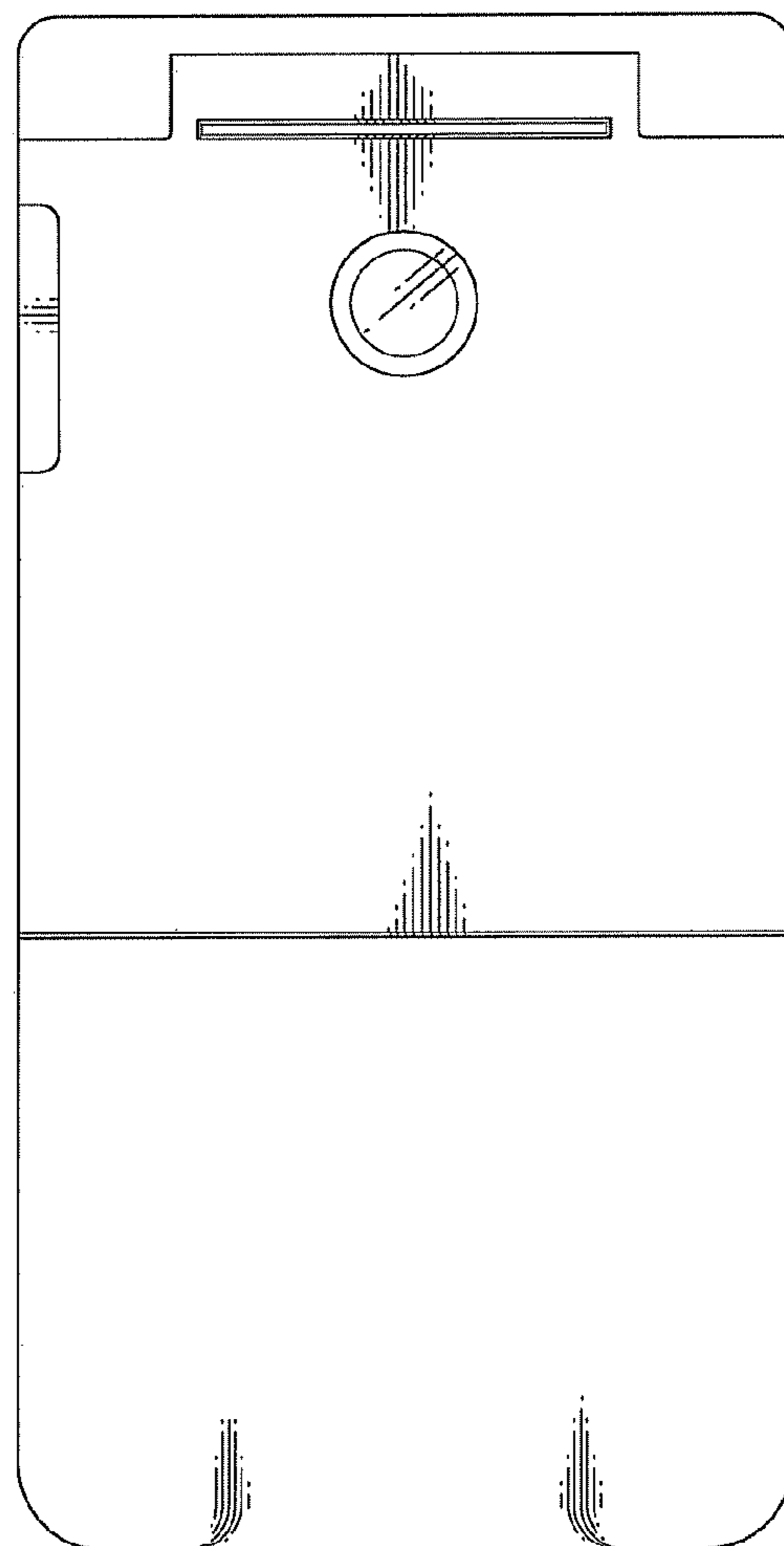
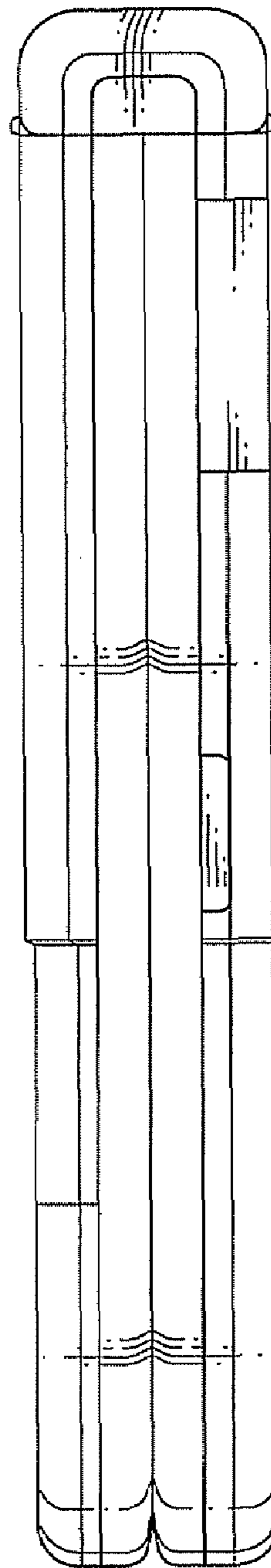
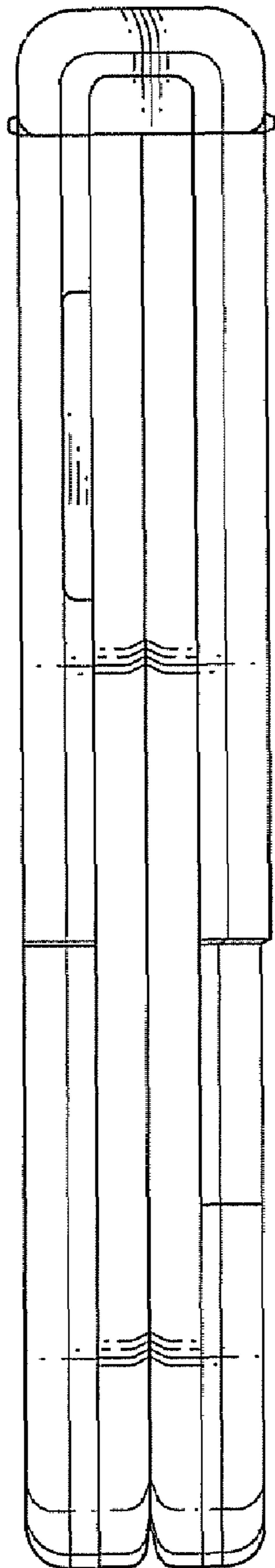
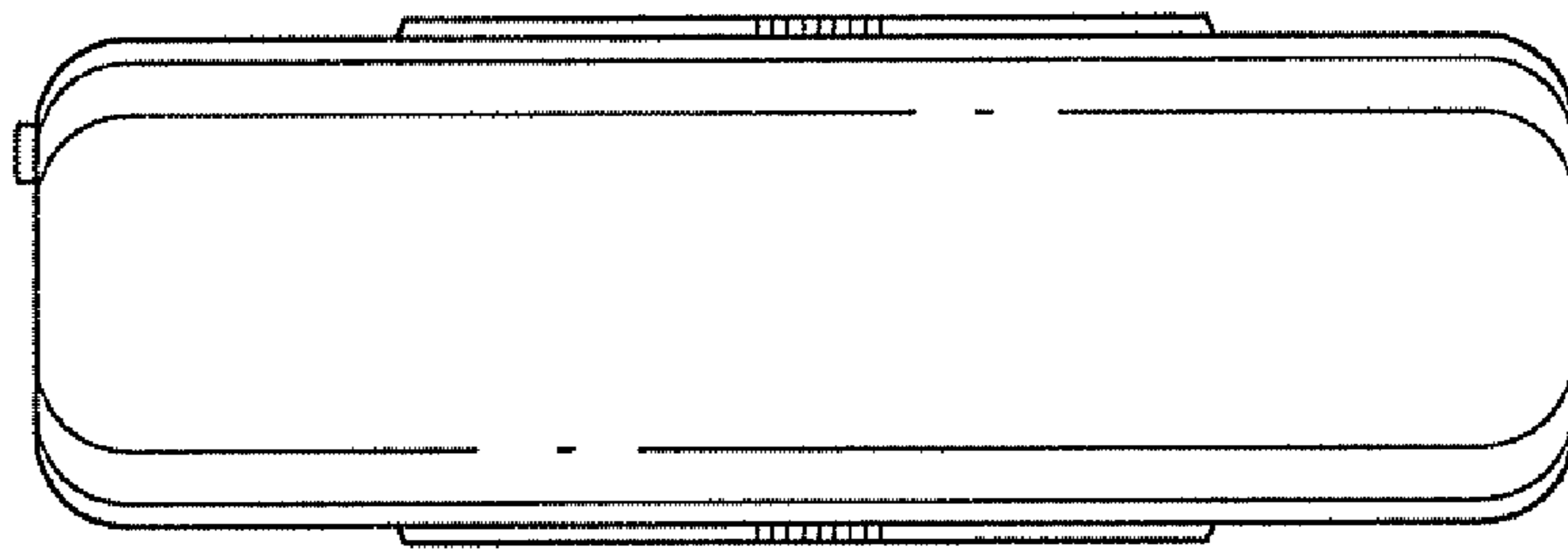


FIG. 4

FIG. 5



# FIG. 6



# FIG. 7

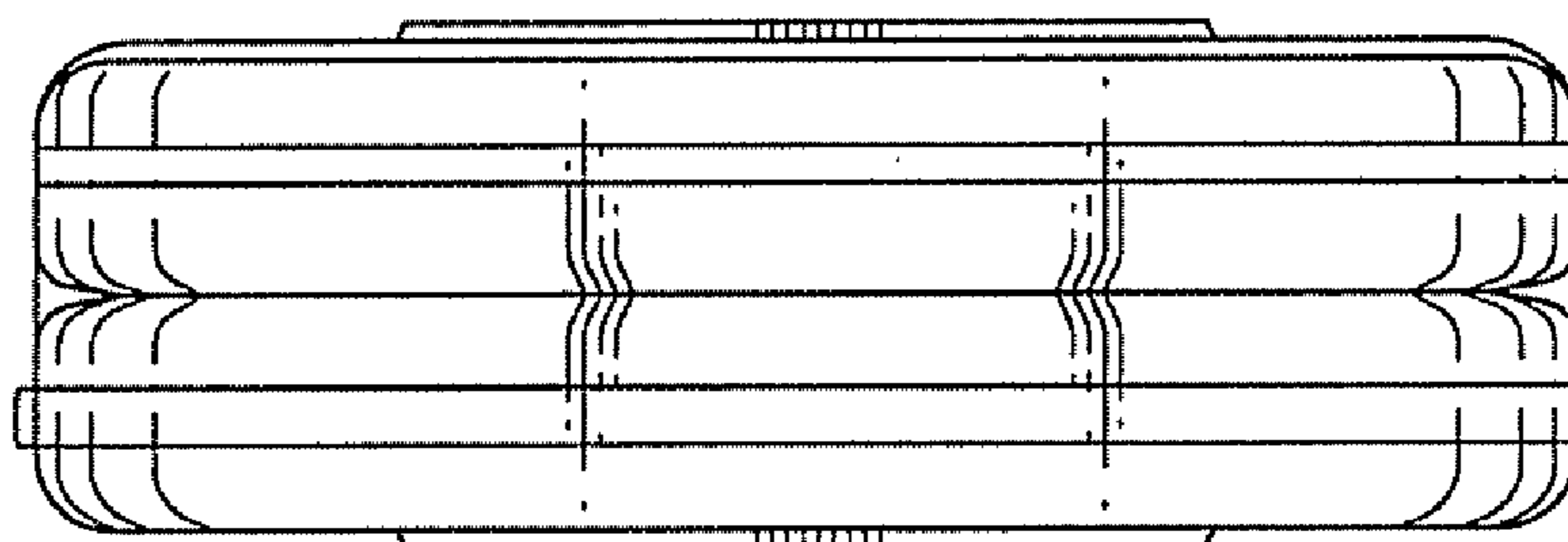


FIG. 8

