



US00D603352S

(12) **United States Design Patent**  
**Panaccione et al.**

(10) **Patent No.:** **US D603,352 S**

(45) **Date of Patent:** **\*\* \*Nov. 3, 2009**

(54) **LED PACKAGE**

(75) Inventors: **Paul Panaccione**, Newburyport, MA (US); **Christian Hoepfner**, North Andover, MA (US); **Georgia Chmielewski**, Plaistow, NH (US); **John W. Graff**, Swampscott, MA (US); **Robert F. Karlicek**, Chelmsford, MA (US); **Daniel Mendoza**, Pelham, NH (US); **Michael Denninger**, Belmont, MA (US)

(73) Assignee: **Luminus Devices, Inc.**, Billerica, MA (US)

(\*) Notice: This patent is subject to a terminal disclaimer.

(\*\*) Term: **14 Years**

(21) Appl. No.: **29/285,430**

(22) Filed: **Mar. 29, 2007**

(51) **LOC (9) Cl.** ..... **13-03**

(52) **U.S. Cl.** ..... **D13/180**

(58) **Field of Classification Search** ..... D13/179, D13/180, 182; D26/2; 257/79, 80, 81, 88, 257/89, 95, 98, 99, 100; 313/483, 498, 500; 362/555, 800; 165/80.3; 174/254, 255  
See application file for complete search history.

(56) **References Cited**

**U.S. PATENT DOCUMENTS**

D275,279	S *	8/1984	Littlefield et al.	.....	D13/147
5,631,190	A *	5/1997	Negley	.....	438/33
5,646,786	A *	7/1997	Kurtz et al.	.....	359/637
5,724,062	A *	3/1998	Hunter	.....	345/102
5,880,930	A *	3/1999	Wheaton	.....	361/690
5,952,680	A *	9/1999	Strite	.....	257/88
6,385,048	B2 *	5/2002	Mellberg et al.	.....	361/704
6,442,045	B1 *	8/2002	Goodwin et al.	.....	361/816
6,515,858	B2 *	2/2003	Rodriguez et al.	.....	361/695
6,522,063	B2 *	2/2003	Chen et al.	.....	313/498
6,534,798	B1 *	3/2003	Scherer et al.	.....	257/98
6,731,354	B2 *	5/2004	Menard	.....	349/58
D494,288	S *	8/2004	Matsui et al.	.....	D26/2
6,914,261	B2 *	7/2005	Ho	.....	257/79

7,081,645	B2	7/2006	Chen et al.	
7,105,861	B2	9/2006	Erchak et al.	
7,170,100	B2	1/2007	Erchak et al.	
D539,760	S *	4/2007	Sumitani	..... D13/180
7,210,839	B2 *	5/2007	Jung et al.	..... 362/612
7,322,732	B2 *	1/2008	Negley et al.	..... 362/612
2003/0086245	A1 *	5/2003	Wakabayashi et al.	..... 361/719
2003/0223218	A1 *	12/2003	Kawakami	..... 362/31
2004/0105279	A1 *	6/2004	Liu et al.	..... 362/555
2006/0055309	A1 *	3/2006	Ono et al.	..... 313/492
2006/0089011	A1 *	4/2006	Marshall et al.	..... 439/65
2006/0091416	A1 *	5/2006	Yan	..... 257/99
2006/0203513	A1 *	9/2006	Aoki	..... 362/612
2006/0215389	A1 *	9/2006	Fosbinder et al.	..... 362/85
2006/0239037	A1 *	10/2006	Repetto et al.	..... 362/800
2007/0045640	A1	3/2007	Erchak et al.	
2007/0047228	A1 *	3/2007	Thompson et al.	..... 362/237
2007/0085082	A1 *	4/2007	Erchak et al.	..... 257/79
2007/0090375	A1 *	4/2007	Kobilke	..... 257/89
2007/0115556	A1	5/2007	Erchak et al.	
2007/0127225	A1 *	6/2007	Slaton	..... 361/807
2007/0189007	A1 *	8/2007	Nishimoto et al.	..... 362/227
2007/0267642	A1	11/2007	Erchak et al.	

\* cited by examiner

*Primary Examiner*—Selina Sikder

(74) *Attorney, Agent, or Firm*—Wolf, Greenfield & Sacks, P.C.

(57) **CLAIM**

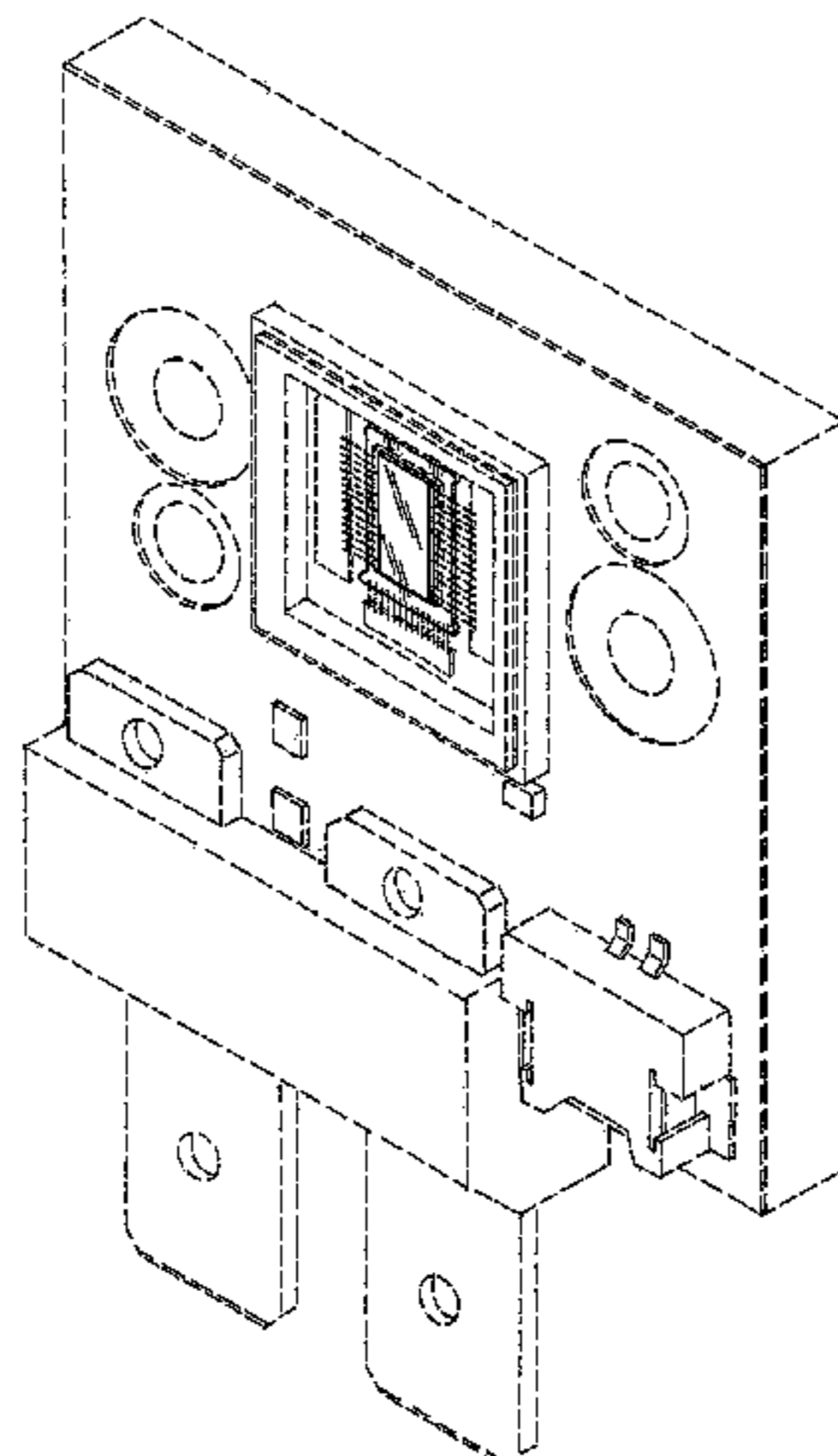
The ornamental design for a LED package, as shown and described.

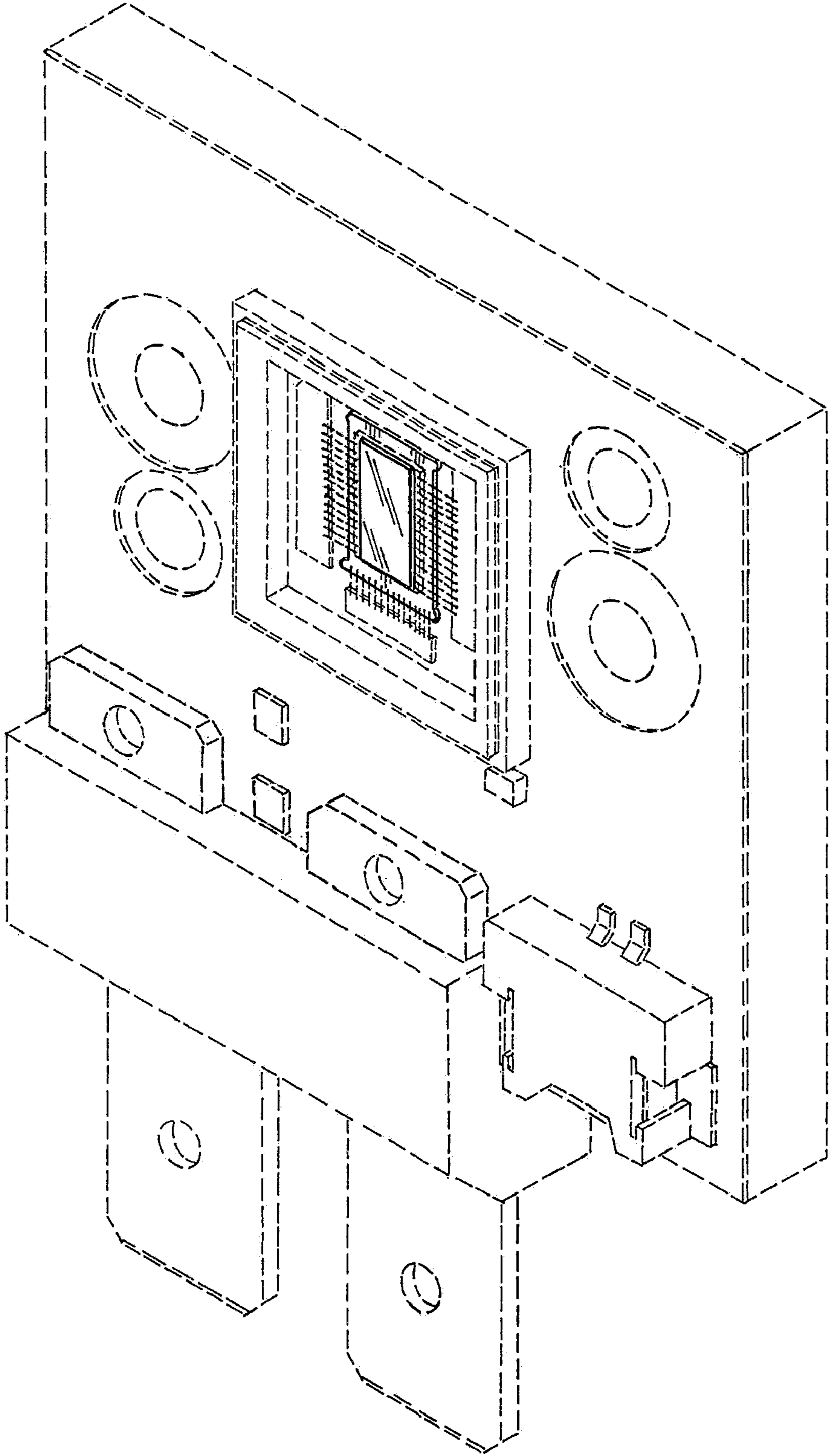
**DESCRIPTION**

FIG. 1 is a side, top perspective view of the LED package showing our new design;  
FIG. 2 is a top view thereof;  
FIG. 3 is a right side view;  
FIG. 4 is a left side view;  
FIG. 5 is a front view; and,  
FIG. 6 is a rear view.

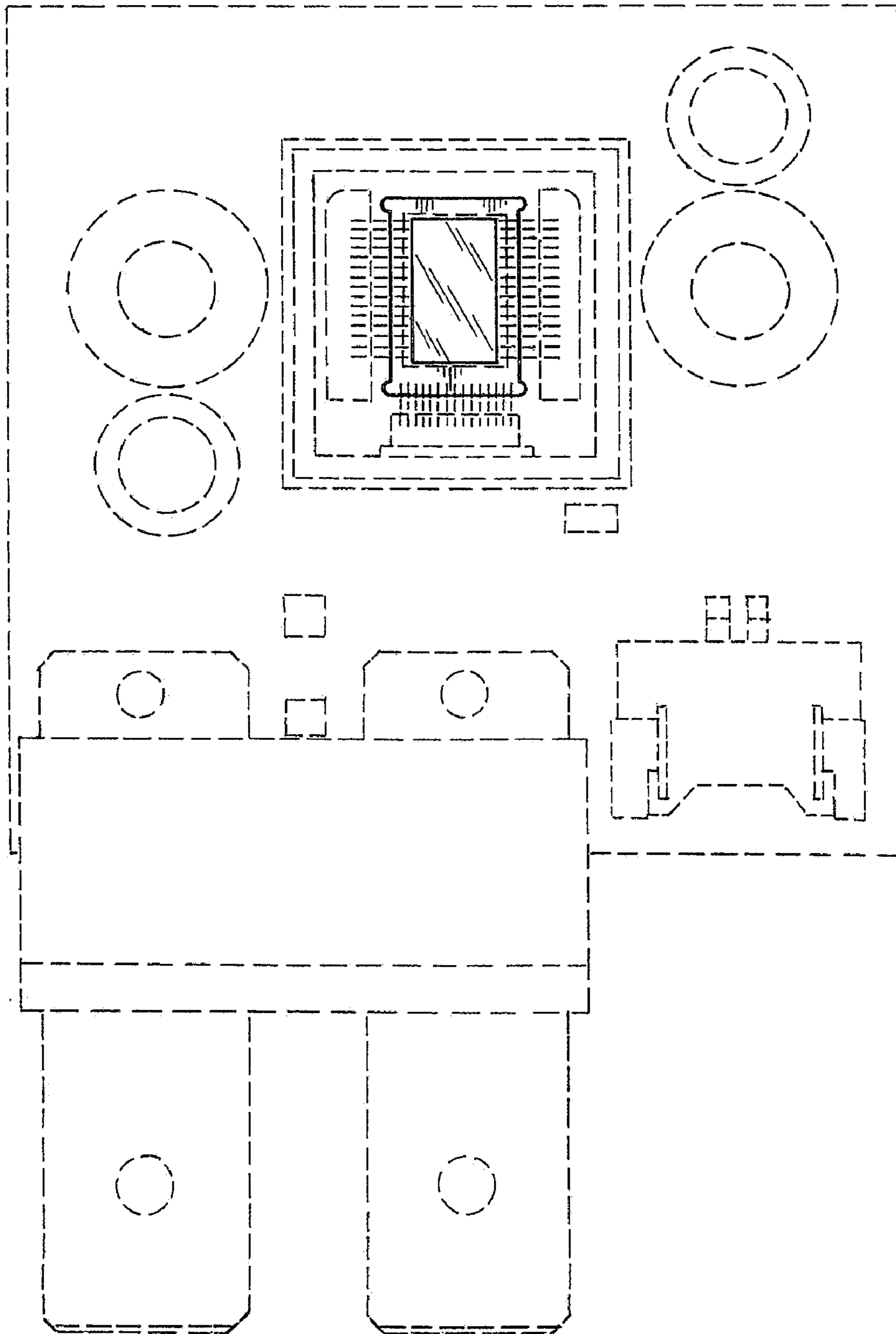
The broken lines represent unclaimed subject matter.

**1 Claim, 4 Drawing Sheets**

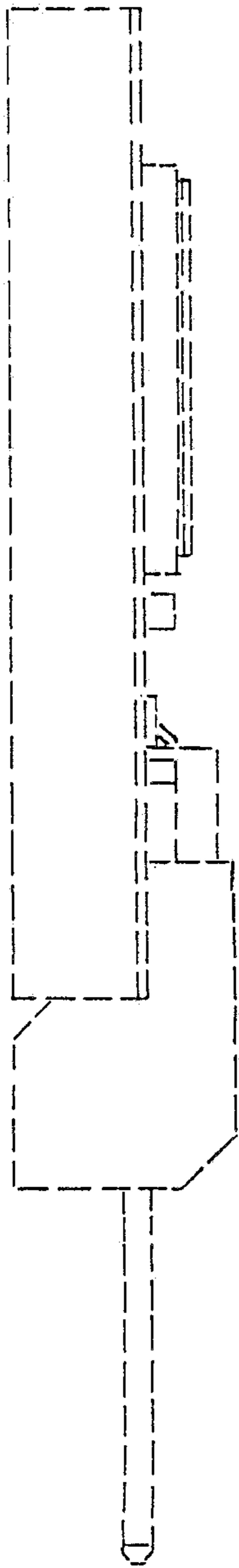




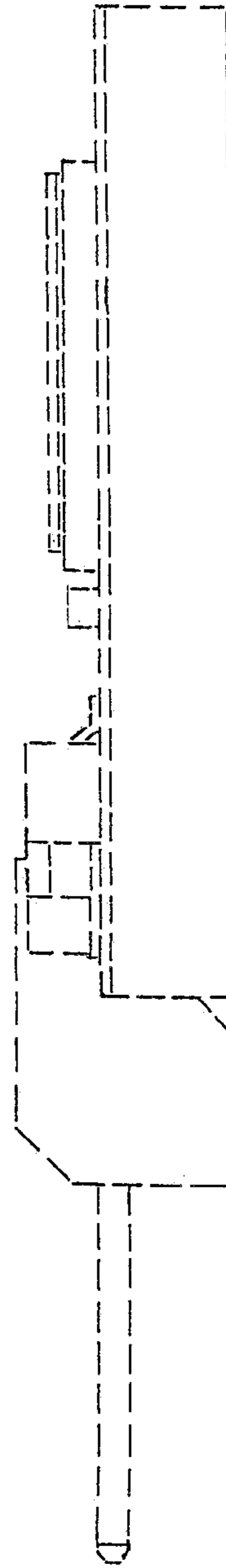
*Fig. 1*



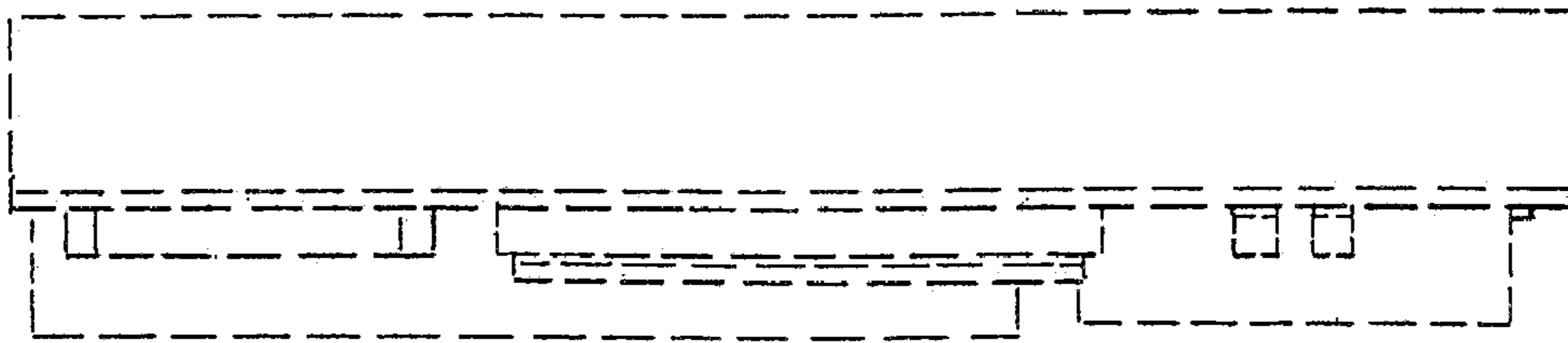
*Fig. 2*



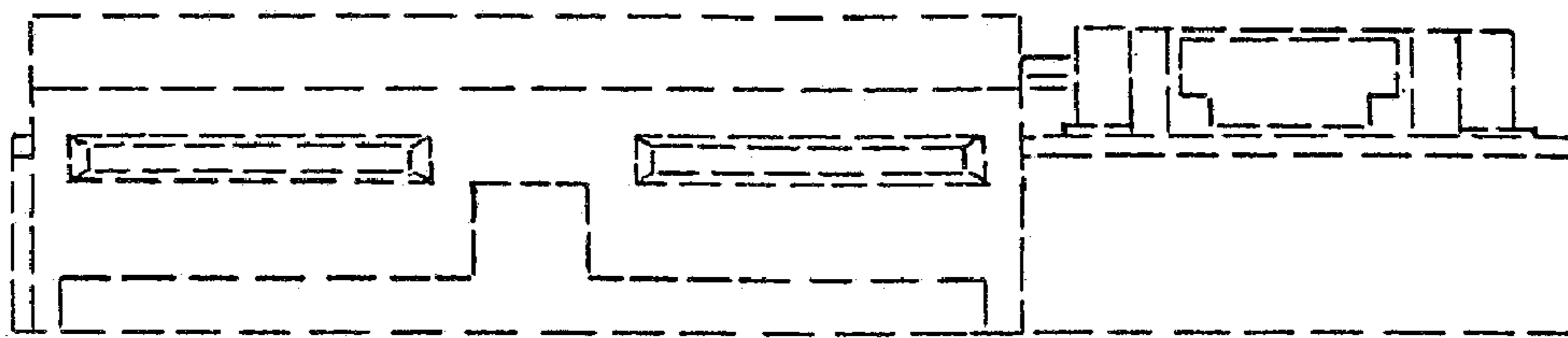
*Fig. 3*



*Fig. 4*



*Fig. 5*



*Fig. 6*