



US00D603350S

(12) **United States Design Patent**  
**Melzner et al.**

(10) **Patent No.:** **US D603,350 S**  
(45) **Date of Patent:** **\*\* Nov. 3, 2009**

(54) **HAND HELD CONTROLLER FOR LIGHTING SYSTEM**

DE 4 07 04 520.1 10/2007  
DE 10 2007 044 566 A1 3/2009  
DE 10 2007 044 567 A1 3/2009  
EP 0 921 568 A2 6/1999

(75) Inventors: **Erwin Melzner**, Frasdorf (DE); **Michael Jonischkeit**, Alxing (DE); **Kerstin Schlegel**, Stephanskirchen (DE); **Dennis Jackstien**, Stephanskirchen (DE)

(73) Assignee: **Arnold & Richter Cine Technik GmbH & Co. Betriebs KG**, Munich (DE)

(\*\*) Term: **14 Years**

(21) Appl. No.: **29/325,724**

(22) Filed: **Oct. 3, 2008**

(30) **Foreign Application Priority Data**

Apr. 4, 2008 (DE) ..... 402008001754

(51) **LOC (9) Cl.** ..... **13-03**

(52) **U.S. Cl.** ..... **D13/164**

(58) **Field of Classification Search** ..... D13/158,  
D13/162, 163, 164, 168, 177, 184, 199; D16/219,  
D16/237, 242, 245; D14/413, 218; 340/825.22,  
340/825.29, 825.72, 825.69; 396/57; D10/49,  
D10/46, 62, 106; 200/5 R, 5 A; 361/671,  
361/680; 455/151.2, 151.3, 151.4  
See application file for complete search history.

(56) **References Cited**

**U.S. PATENT DOCUMENTS**

D297,527 S \* 9/1988 Iacovelli ..... D12/418  
4,879,437 A \* 11/1989 Dard et al. .... 200/1 R  
D356,567 S \* 3/1995 Jones ..... D13/162  
D477,286 S \* 7/2003 Krajci et al. .... D13/162  
D489,337 S \* 5/2004 Murray ..... D13/162  
D533,846 S \* 12/2006 Burton ..... D13/171  
7,274,302 B2 \* 9/2007 Stevenson et al. .... 340/815.45  
D572,192 S \* 7/2008 Zhu ..... D13/122

**FOREIGN PATENT DOCUMENTS**

DE 20 2004 016 637 U1 2/2005

**OTHER PUBLICATIONS**

Patent Application No. DE 10 2007 044 567, filed Sep. 7, 2007, 70 sheets.

Patent Application No. DE 10 2007 044 566, filed Sep. 7, 2007, 64 sheets.

\* cited by examiner

*Primary Examiner*—Stella M Reid

*Assistant Examiner*—Thomas J Johannes

(74) *Attorney, Agent, or Firm*—Christie, Parker & Hale, LLP

(57) **CLAIM**

The ornamental design for hand held controller for lighting system, as shown and described.

**DESCRIPTION**

FIG. 1 is a top perspective view of the hand held controller for lighting system;

FIG. 2 is a top view of the hand held controller for lighting system;

FIG. 3 is a front view of the hand held controller for lighting system;

FIG. 4 is a left side view of the hand held controller for lighting system;

FIG. 5 is a right side view of the hand held controller for lighting system;

FIG. 6 is a back view of the hand held controller for lighting system; and,

FIG. 7 is a bottom view of the hand held controller for lighting system.

Features in broken lines are not part of the claimed design.

**1 Claim, 7 Drawing Sheets**

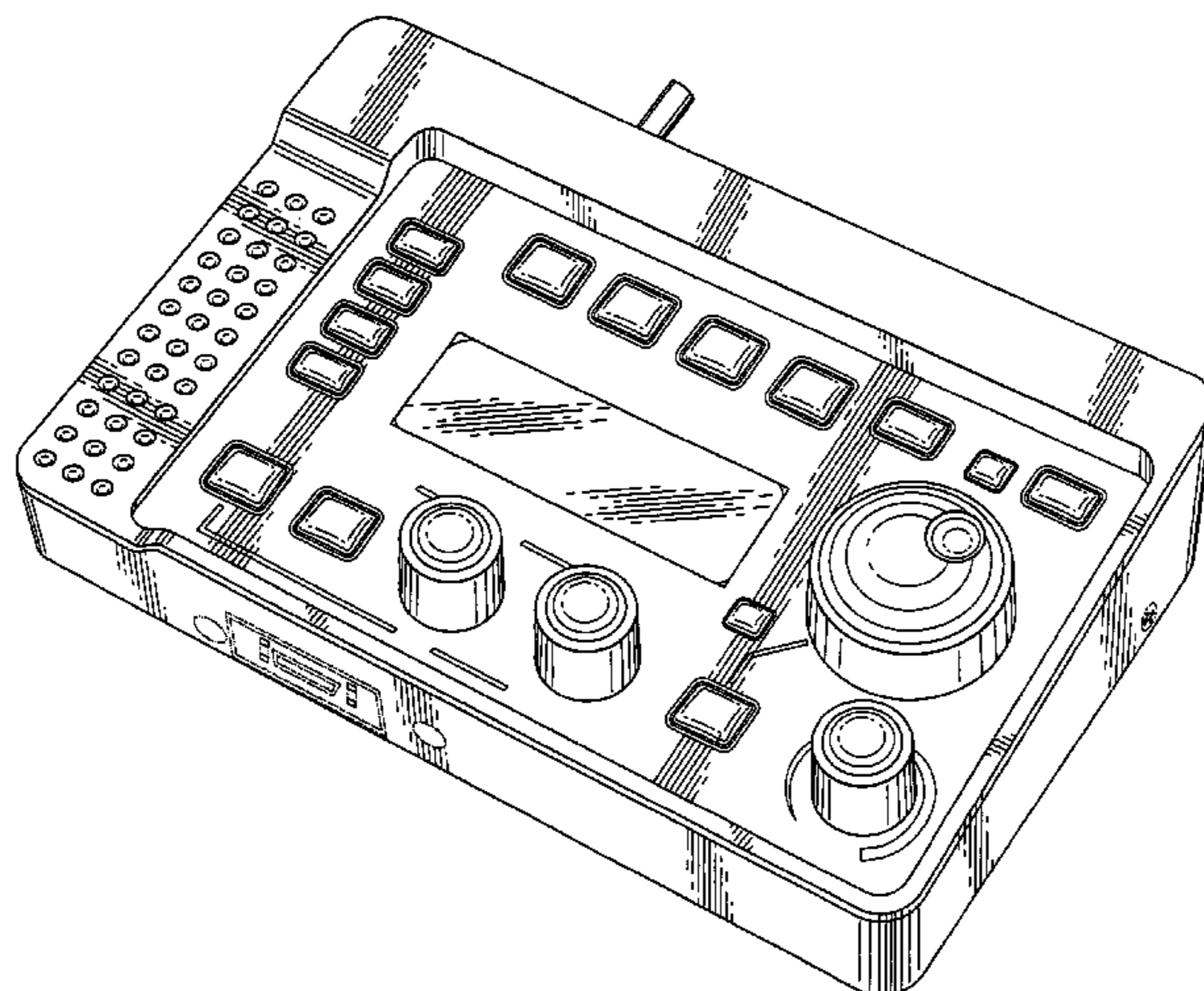
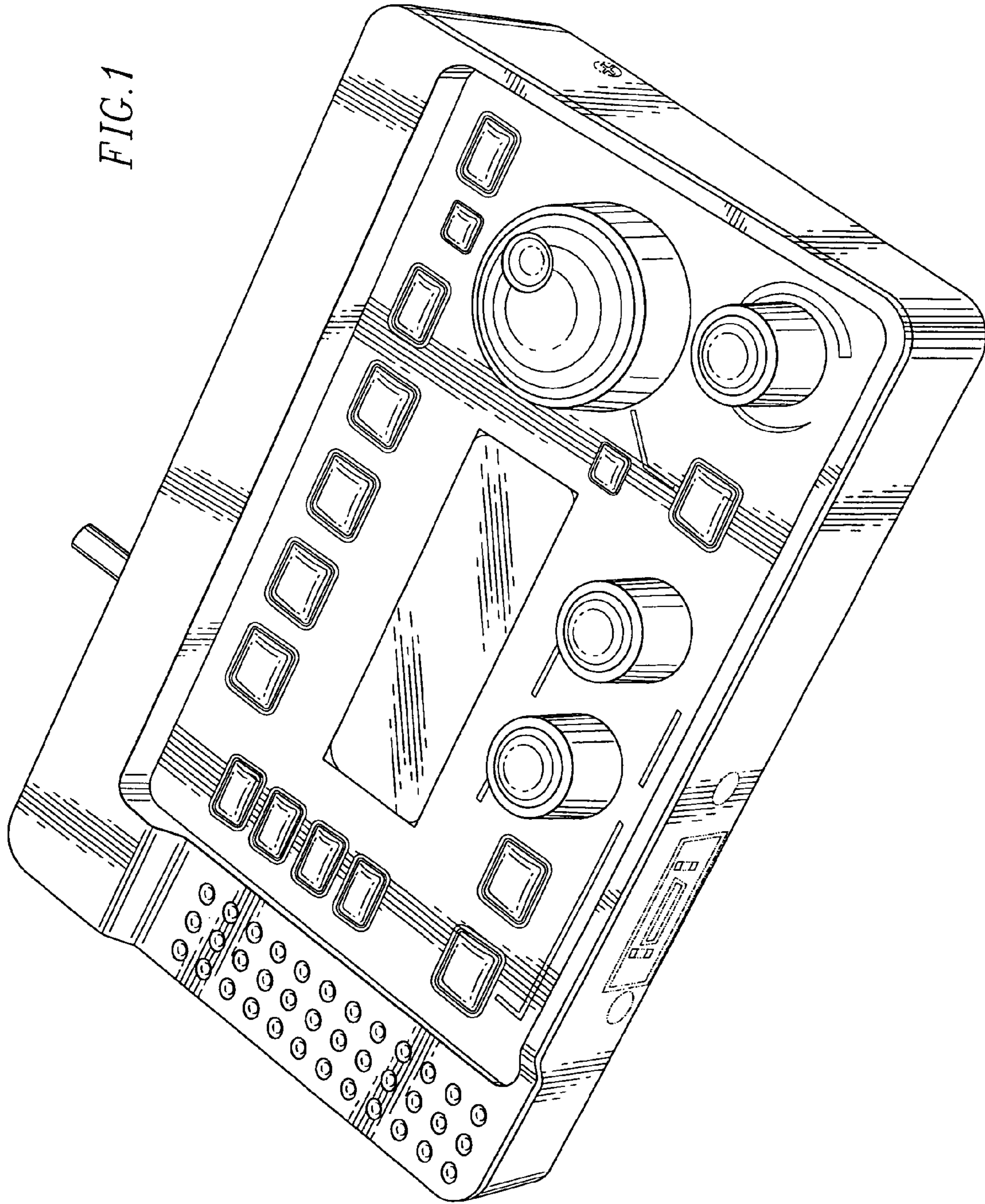


FIG. 1



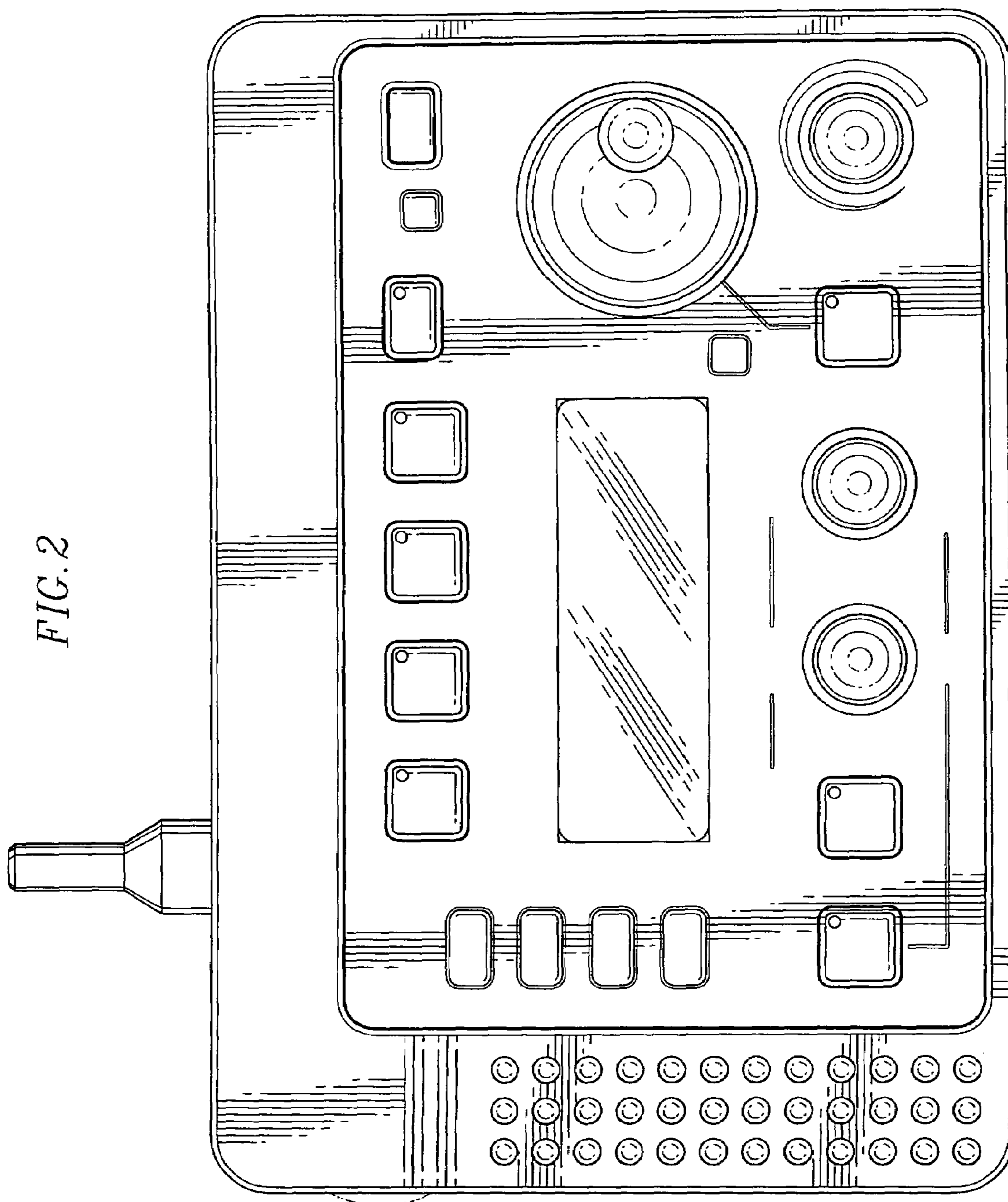


FIG. 3

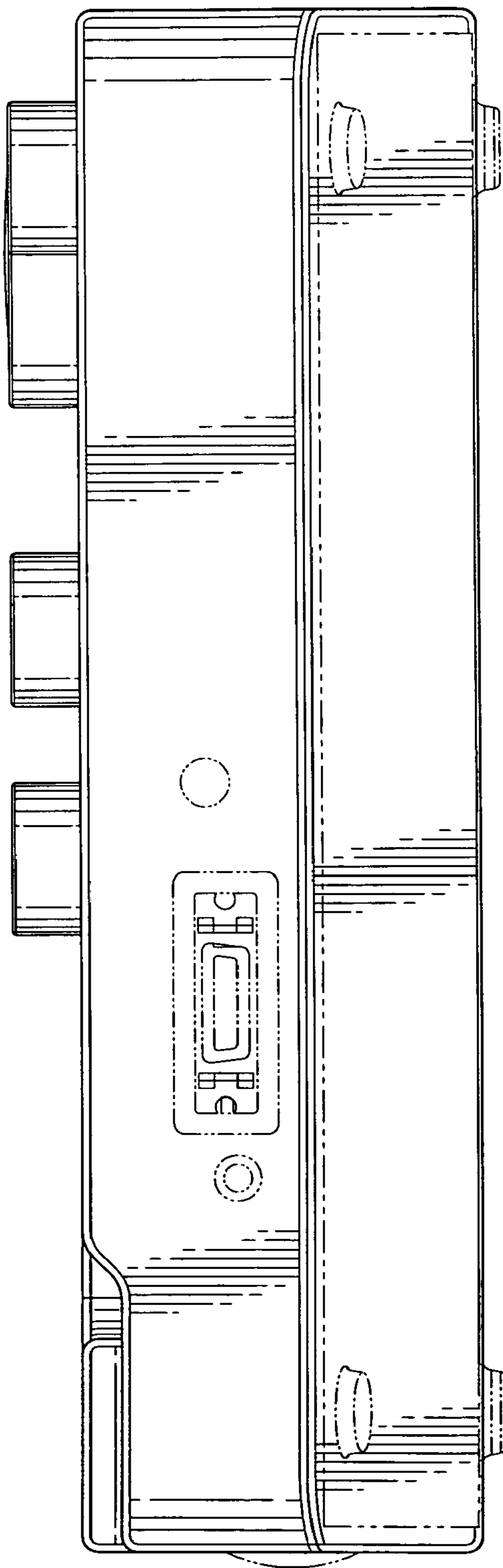


FIG. 4

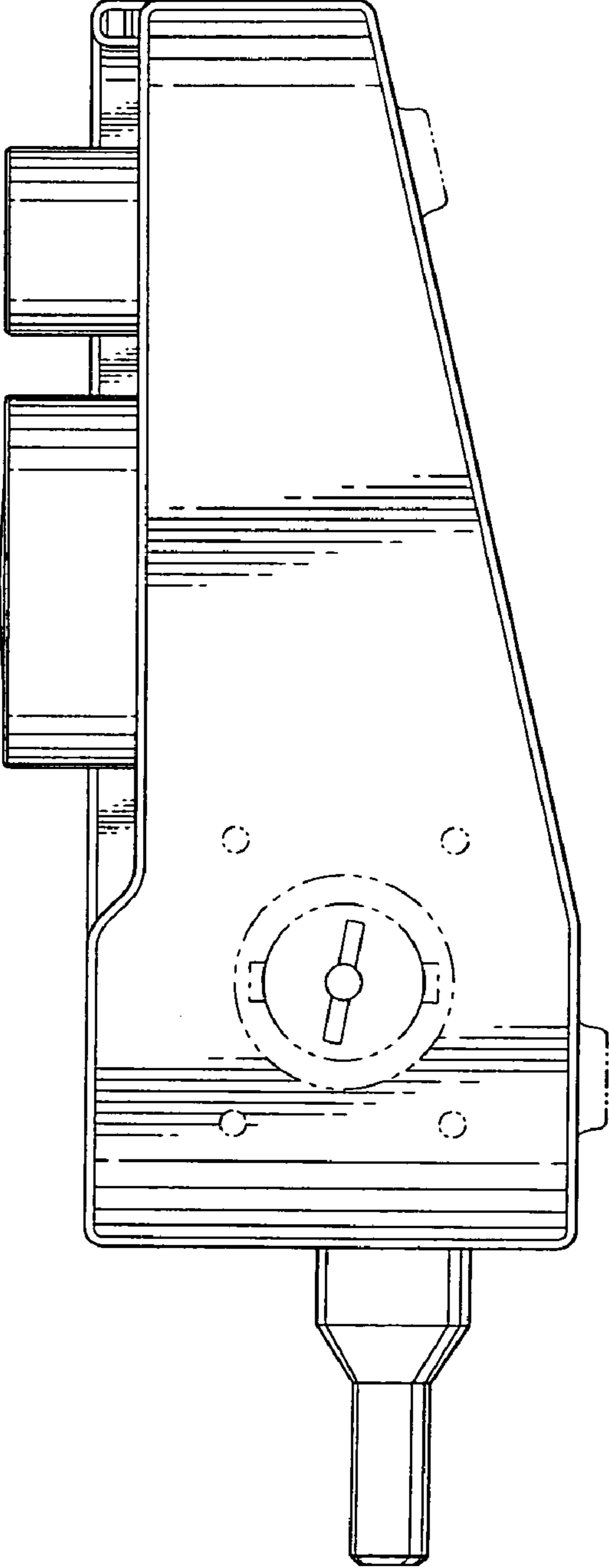


FIG. 5

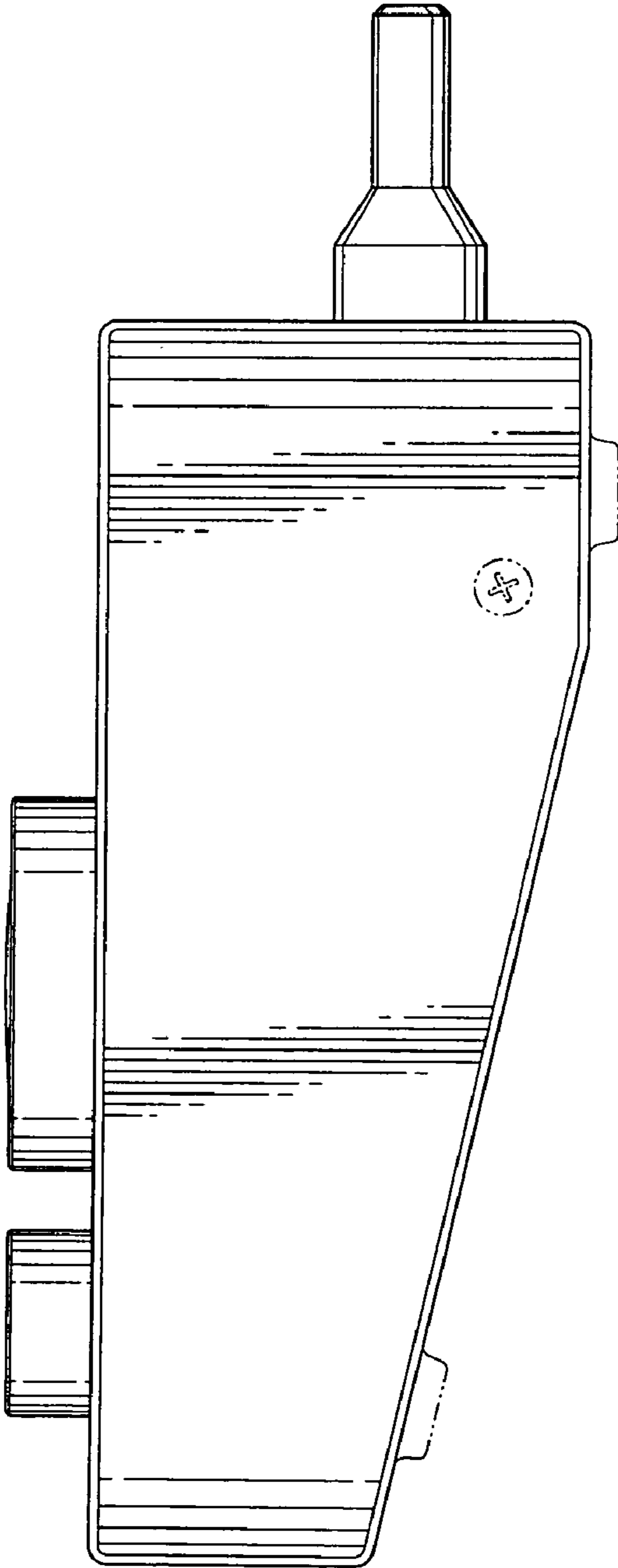
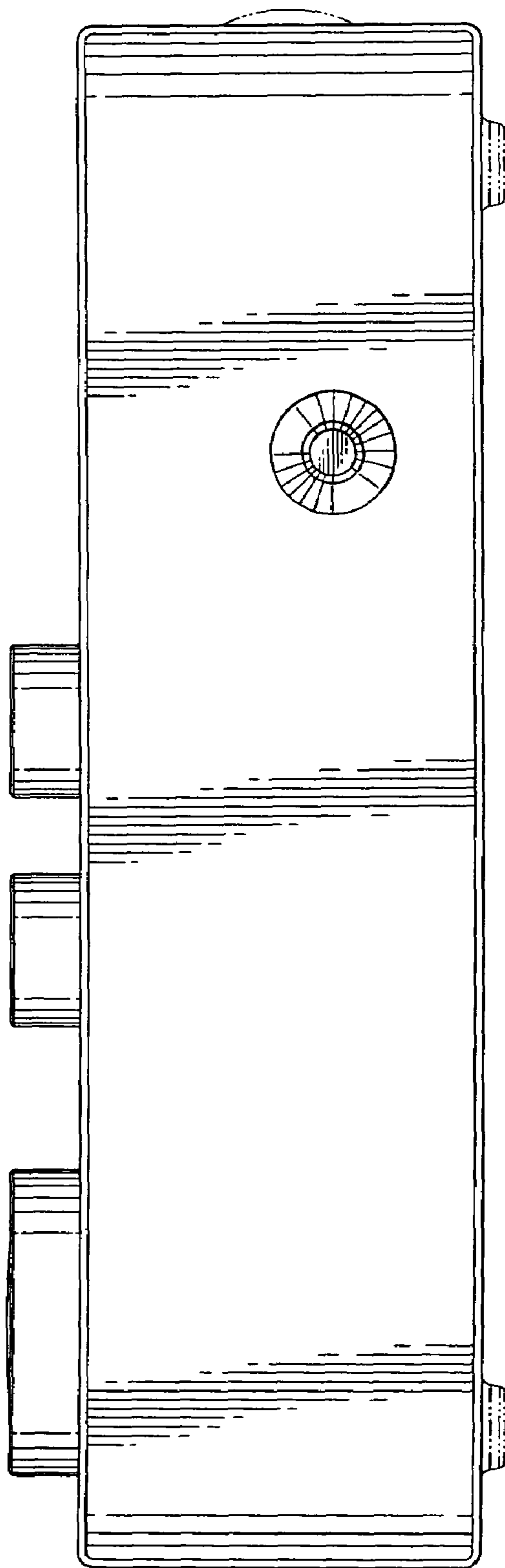


FIG. 6



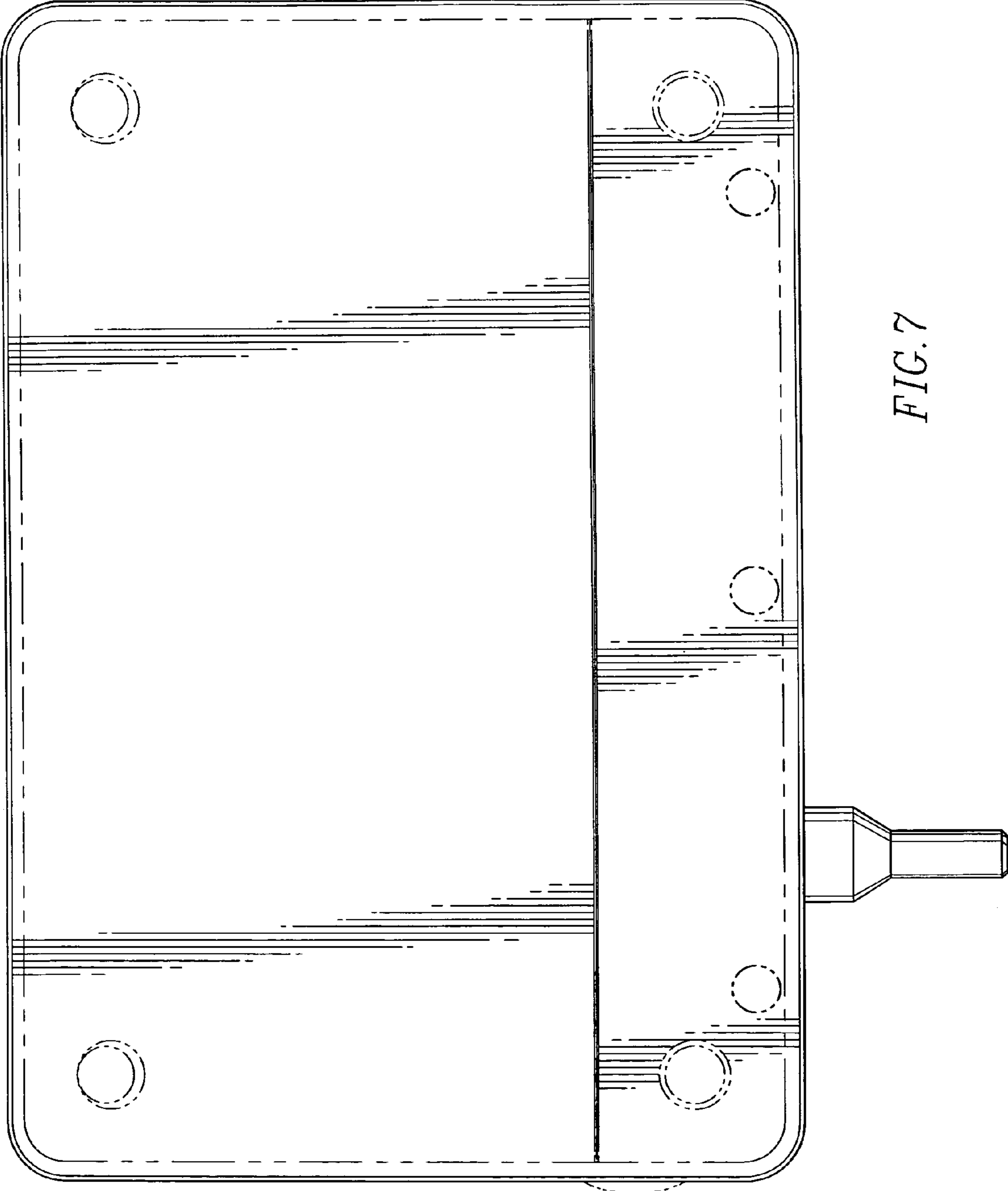


FIG. 7