

US00D603347S

(12) **United States Design Patent**
Sacks et al.

(10) **Patent No.:** **US D603,347 S**

(45) **Date of Patent:** **** Nov. 3, 2009**

(54) **IRRIGATION CONTROLLER**

(75) Inventors: **Rael Sacks**, Fresno, CA (US); **Daniel Nourian**, Reedley, CA (US)

(73) Assignee: **National Diversified Sales, Inc.**, Woodland Hills, CA (US)

(**) Term: **14 Years**

(21) Appl. No.: **29/332,538**

(22) Filed: **Feb. 18, 2009**

(51) **LOC (9) Cl.** **13-03**

(52) **U.S. Cl.** **D13/162**

(58) **Field of Classification Search** D13/162,
D13/164, 184, 199; 239/63, 69, 70; 700/16,
700/17, 19, 284

See application file for complete search history.

(56) **References Cited**

U.S. PATENT DOCUMENTS

D316,375 S *	4/1991	Tiedemann	D10/50
D371,113 S *	6/1996	Hubbell et al.	D13/160
D429,829 S *	8/2000	Doran	D26/26
D468,703 S *	1/2003	Schneider et al.	D13/162
D530,633 S *	10/2006	Moore	D10/49

* cited by examiner

Primary Examiner—Daniel D Bui

Assistant Examiner—Thomas J Johannes

(74) *Attorney, Agent, or Firm*—Fulwider Patton LLP

(57) **CLAIM**

The ornamental design for an irrigation controller, as shown and described.

DESCRIPTION

FIG. 1 is a perspective view from above of an irrigation controller showing our new design;

FIG. 2 is a top plan view thereof;

FIG. 3 is a front elevational side view thereof;

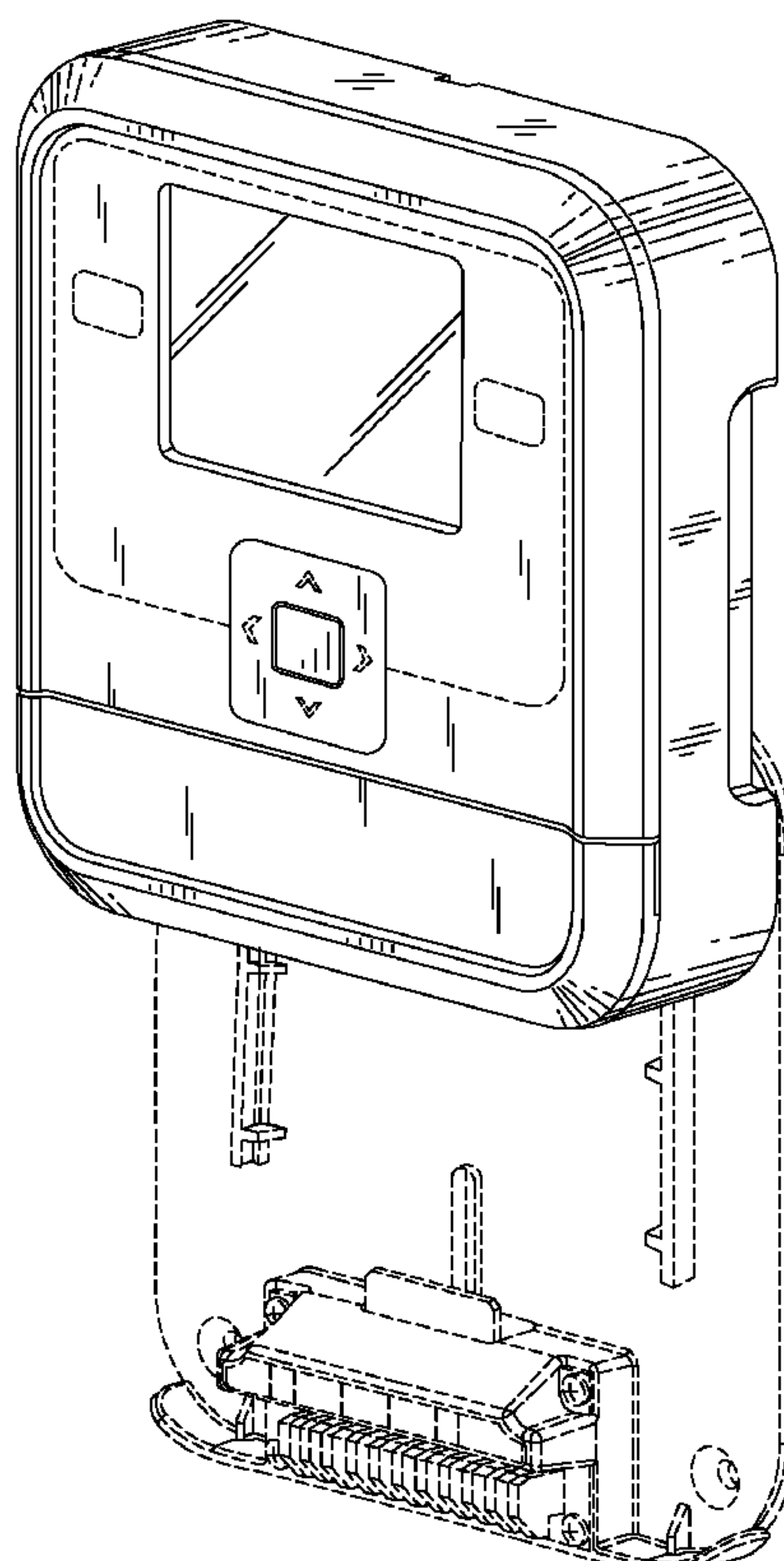
FIG. 4 is a right side elevational view thereof; the left side elevational side view is not shown, and is a mirror image of the right side elevational view; and,

FIG. 5 is a bottom view thereof.

The broken line portions of the figure drawings are included to show unclaimed subject matter only and form no part of the claimed design. The large, broken-line, rectangular contour shown in the upper front portion of FIGS. 1 and 3 is, itself, unclaimed; however, the flat surface within this rectangular contour, marked with surface shading, is claimed.

The back elevational view of the irrigation controller is not shown in the drawings, and forms no part of the claimed design.

1 Claim, 2 Drawing Sheets



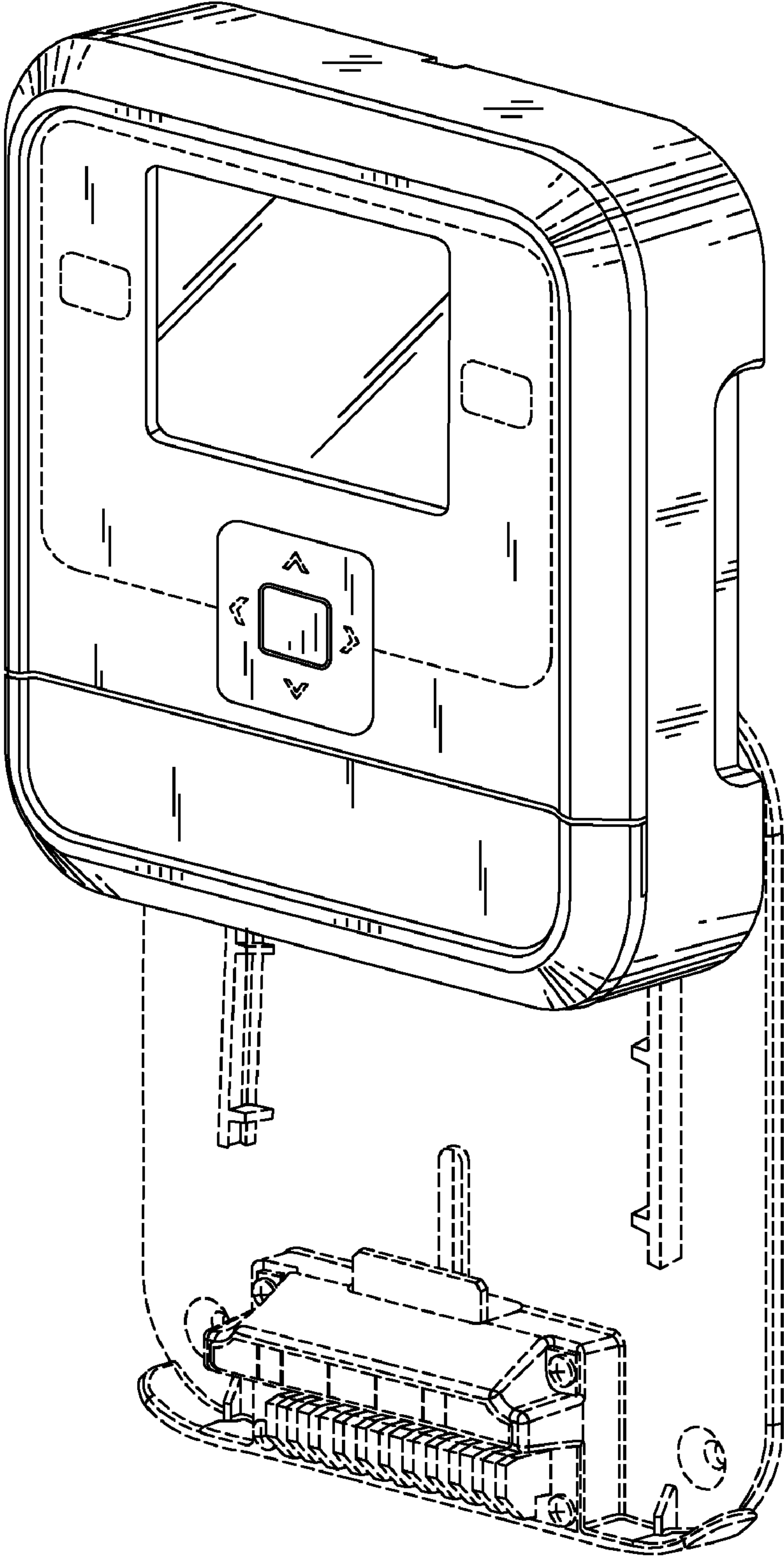


Fig. 1

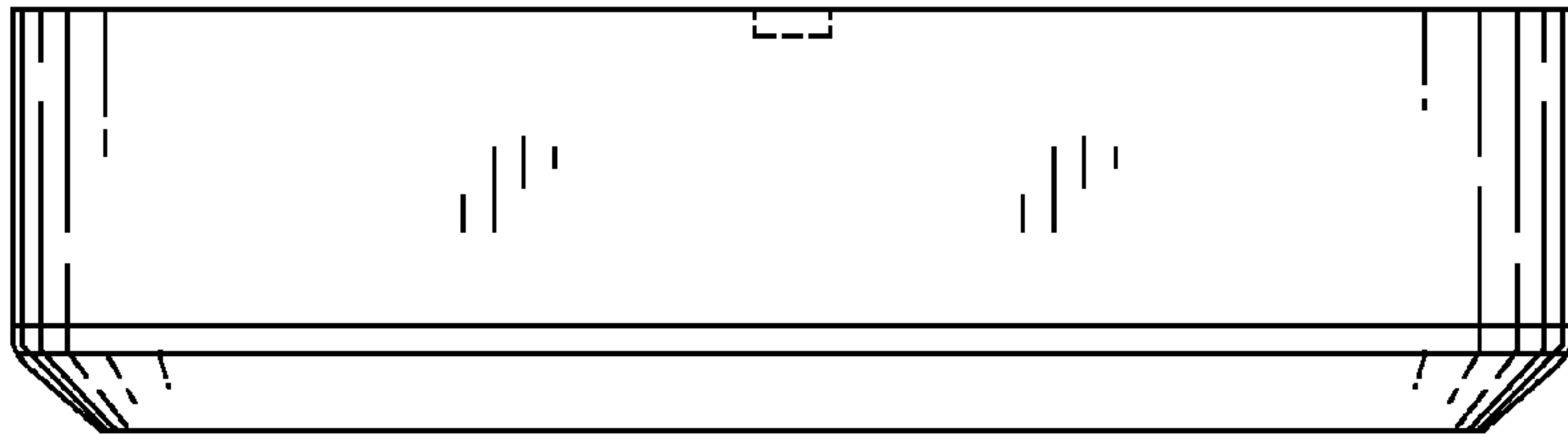


Fig. 2

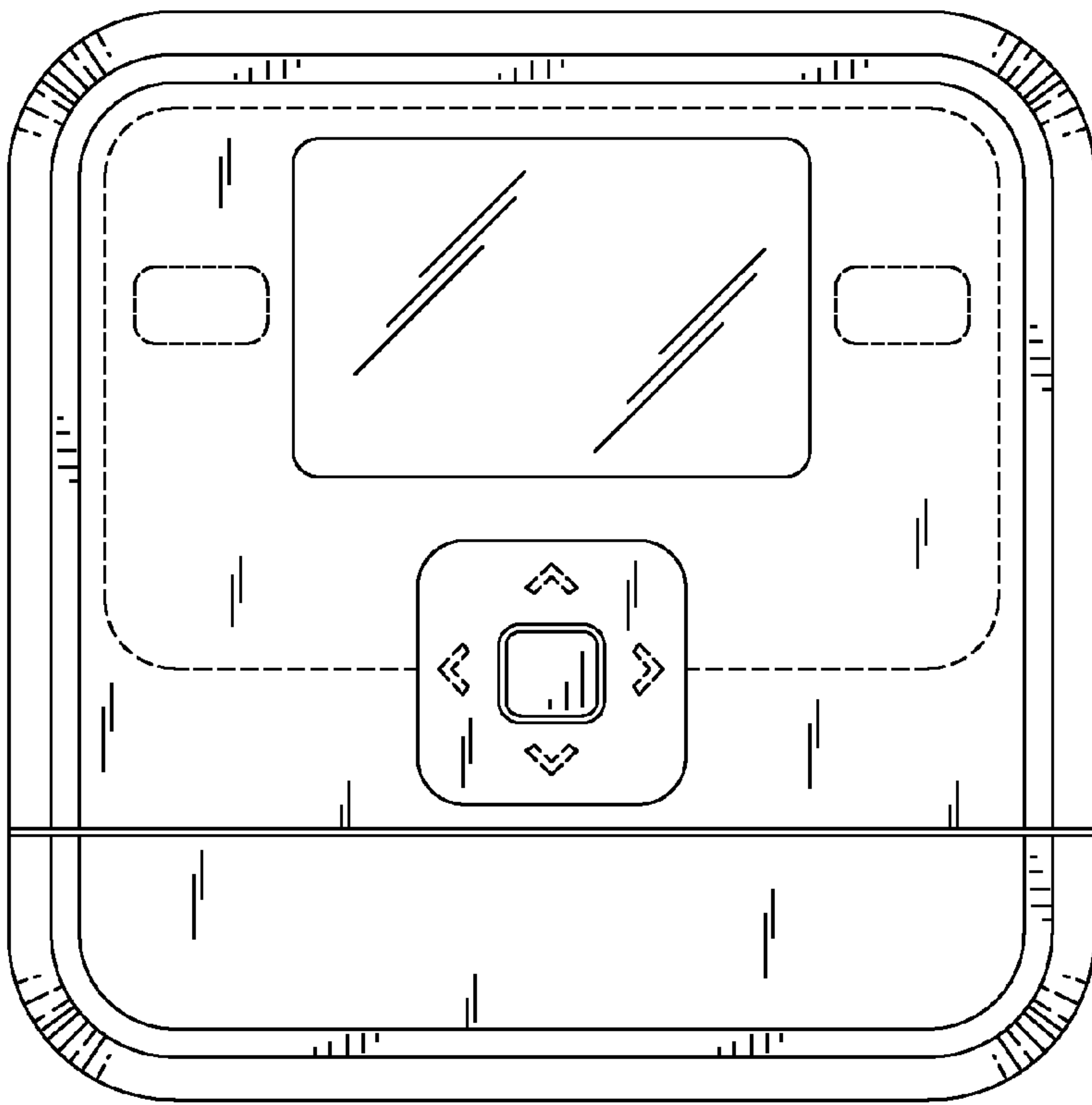


Fig. 3

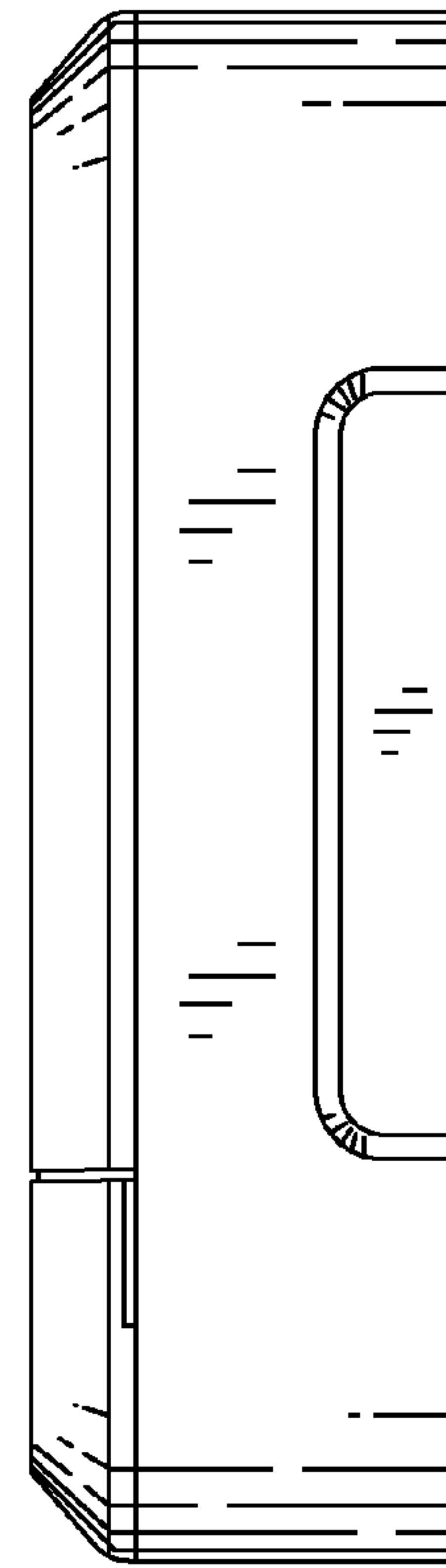


Fig. 4

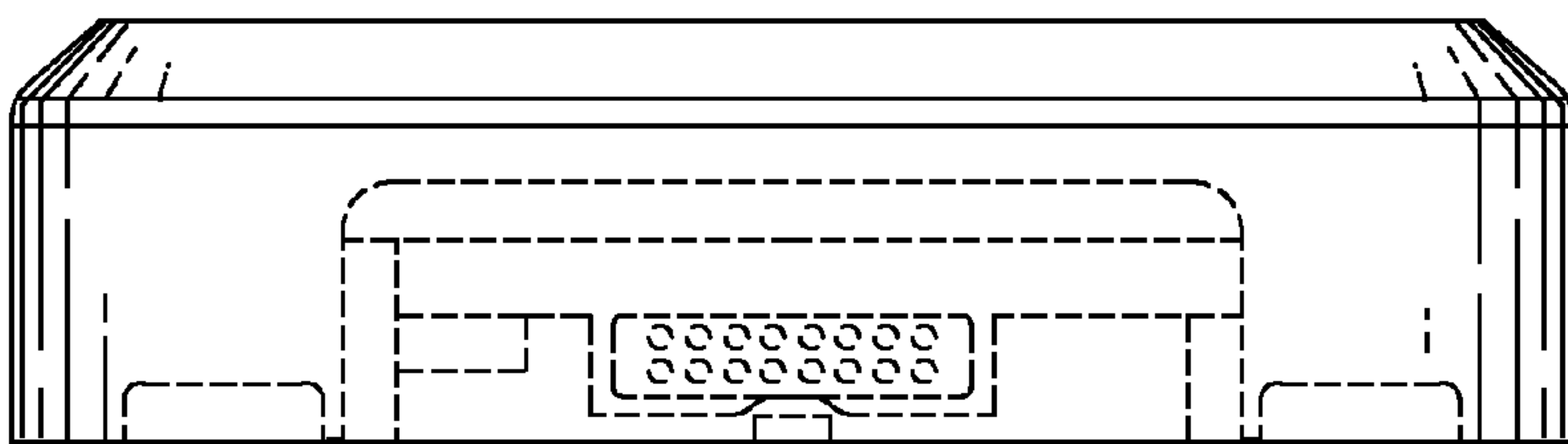


Fig. 5