



US00D603346S

(12) **United States Design Patent**
Murray et al.

(10) **Patent No.:** **US D603,346 S**
(45) **Date of Patent:** **** Nov. 3, 2009**

(54) **AUTOMATIC LIGHT SWITCH**
(75) Inventors: **Christopher J. Murray**, Baltimore, MD (US); **Michael L. Agronin**, Owings Mills, MD (US); **David A. Miller**, Baltimore, MD (US)

5,719,362 A 2/1998 Gray, Jr.
5,806,665 A 9/1998 Houssian
5,828,018 A 10/1998 Cooper

(Continued)

FOREIGN PATENT DOCUMENTS

(73) Assignee: **Black & Decker Inc.**, Newark, DE (US)

JP 59-049616 3/1984

(**) Term: **14 Years**

OTHER PUBLICATIONS

(21) Appl. No.: **29/329,259**

Instructional Manual for Room Gear, Lights Off Remote Control Light Switch www.wildplanet.com May 9, 2002.

(22) Filed: **Dec. 11, 2008**

Primary Examiner—Daniel D Bui

Assistant Examiner—Thomas J Johannes

(51) **LOC (9) Cl.** **13-03**

(74) *Attorney, Agent, or Firm*—Wesley W. Muller

(52) **U.S. Cl.** **D13/162**

(58) **Field of Classification Search** D13/162,
D13/164, 170, 177, 184, 199; 239/63, 69,
239/70; 700/16, 17, 19, 284; D14/137–139,
D14/151, 167, 168, 172, 174, 191–193, 214,
D14/217, 218, 240; 361/600, 622, 678, 681;
345/173; 338/153; 174/66; 200/5 A; D10/106;
49/50

(57) **CLAIM**

The ornamental design for an automatic light switch, as shown and described.

See application file for complete search history.

DESCRIPTION

FIG. 1 is a front perspective view of an automatic light switch according to the present invention;

FIG. 2 is a front view of an automatic light switch of FIG. 1;

FIG. 3 is a back view of the automatic light switch of FIG. 1;

FIG. 4 is a left side view of the automatic light switch of FIG. 1;

FIG. 5 is a right side view of the automatic light switch of FIG. 1;

FIG. 6 is a top view of the automatic light switch of FIG. 1; and,

FIG. 7 is a bottom view of the automatic light switch of FIG. 1.

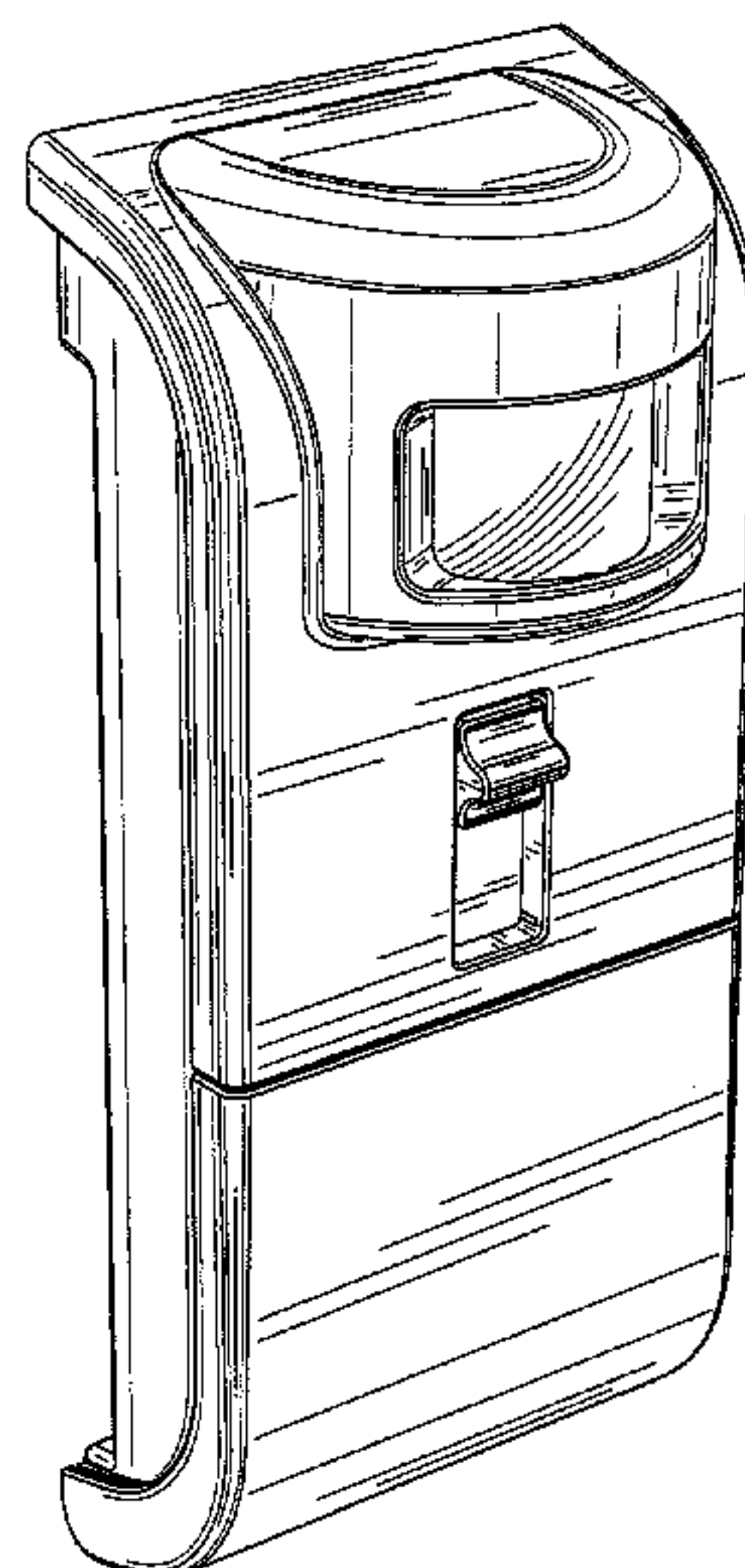
The broken line portion of the figure drawings is included to show unclaimed subject matter only and forms no part of the claimed design.

(56) **References Cited**

U.S. PATENT DOCUMENTS

D282,827 S *	3/1986	Hoogner	D10/40
4,887,430 A	12/1989	Kroll et al.		
4,912,376 A	3/1990	Strick		
4,949,061 A	8/1990	Kirma		
4,979,672 A	12/1990	AbuJudom, II et al.		
5,015,930 A	5/1991	Kikuta et al.		
5,071,064 A	12/1991	AbuJudom, II et al.		
5,176,544 A	1/1993	AbuJudom, II et al.		
5,206,775 A	4/1993	Wilson		
5,306,957 A	4/1994	Ellingham et al.		
5,397,869 A	3/1995	Huen		
5,465,031 A	11/1995	Nilssen		
5,603,141 A	2/1997	Gledhill		
D381,632 S *	7/1997	Overthun	D13/162
D386,990 S *	12/1997	Gee, II	D10/50

1 Claim, 7 Drawing Sheets



US D603,346 S

Page 2

U.S. PATENT DOCUMENTS			
5,838,219	A	11/1998	Du et al.
5,949,616	A	9/1999	Coon et al.
5,955,796	A	9/1999	Nilssen
5,990,777	A	11/1999	Whiteman, Jr.
6,036,330	A	3/2000	Sanguedolce
6,133,816	A	10/2000	Barnes et al.
D435,224	S *	12/2000	King et al. D10/49
6,218,995	B1	4/2001	Higgins et al.
6,328,363	B1	12/2001	Larsen
D457,821	S *	5/2002	Amborn et al. D10/49
6,518,526	B2	2/2003	Hamada et al.
6,710,274	B2	3/2004	Whetzel et al.
6,714,106	B1	3/2004	Czarnecki
6,861,601	B2	3/2005	Heien
7,189,936	B2	3/2007	Gray, Jr.
D546,773	S *	7/2007	Hardwick D13/162
7,244,900	B1	7/2007	Gray, Jr.
D548,702	S *	8/2007	Girard D13/162
7,372,355	B2	5/2008	Agronin et al.
2002/0135476	A1	9/2002	McKinney, Jr. et al.
2005/0194243	A1	9/2005	Prineppi
2005/0242753	A1	11/2005	Morrison et al.
2007/0193862	A1	8/2007	Blakeman
2008/0047818	A1	2/2008	Holcomb
2008/0202909	A1	8/2008	Agronin et al.

* cited by examiner

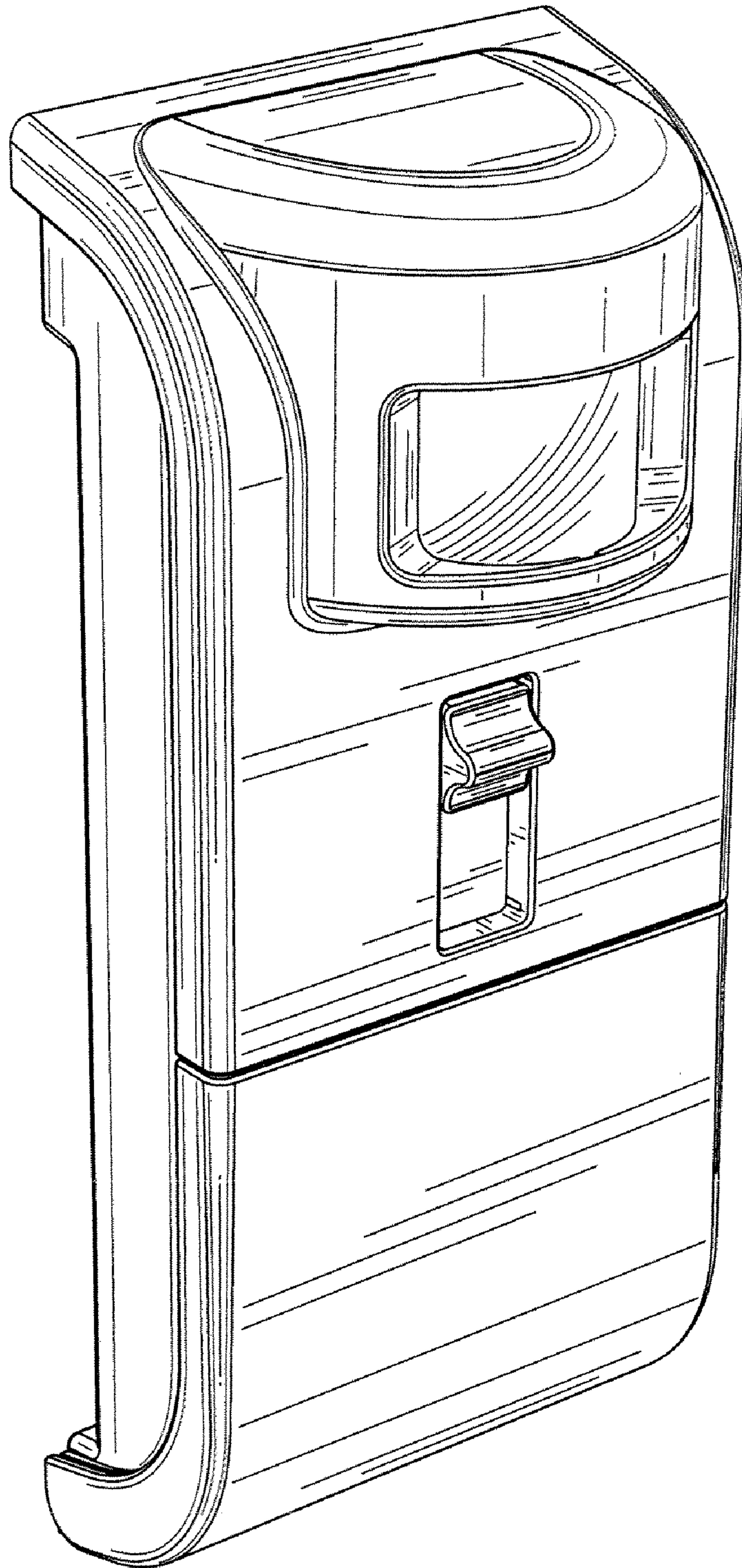


FIG. 1

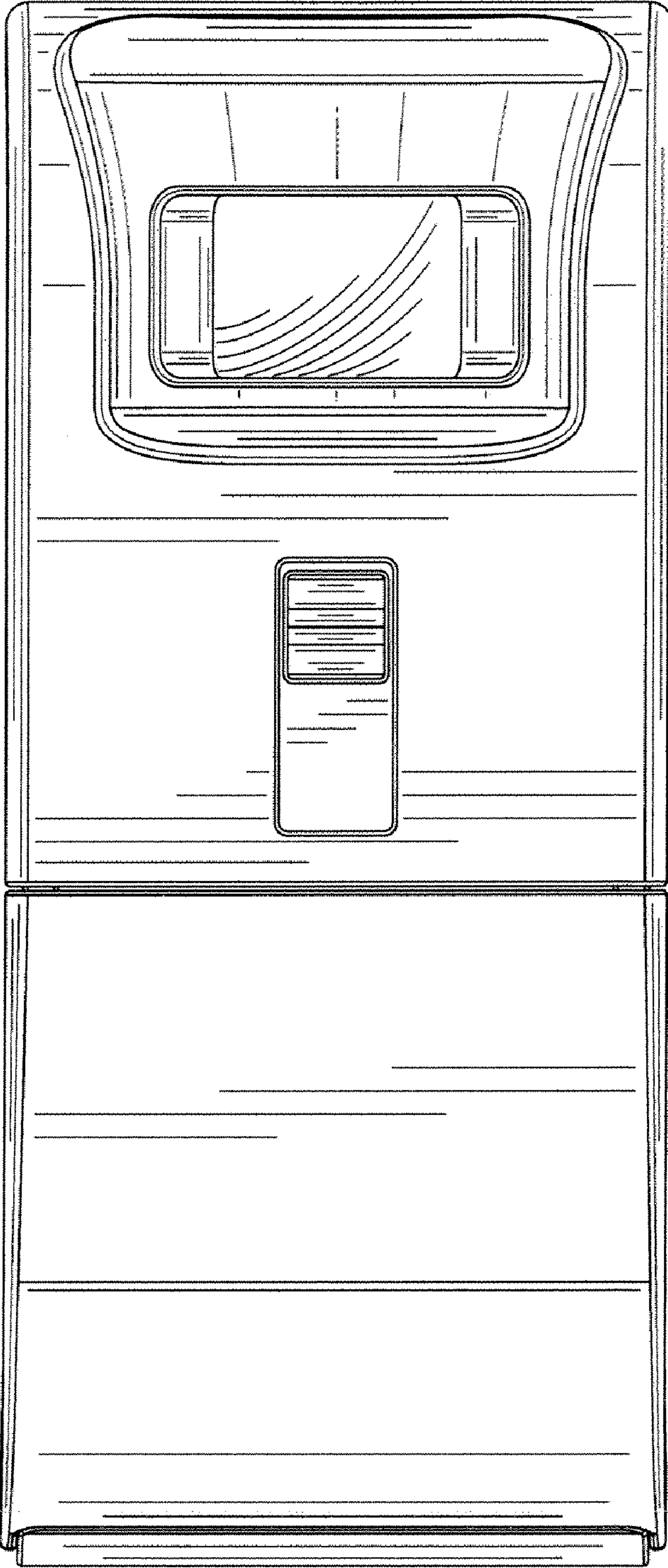


FIG. 2

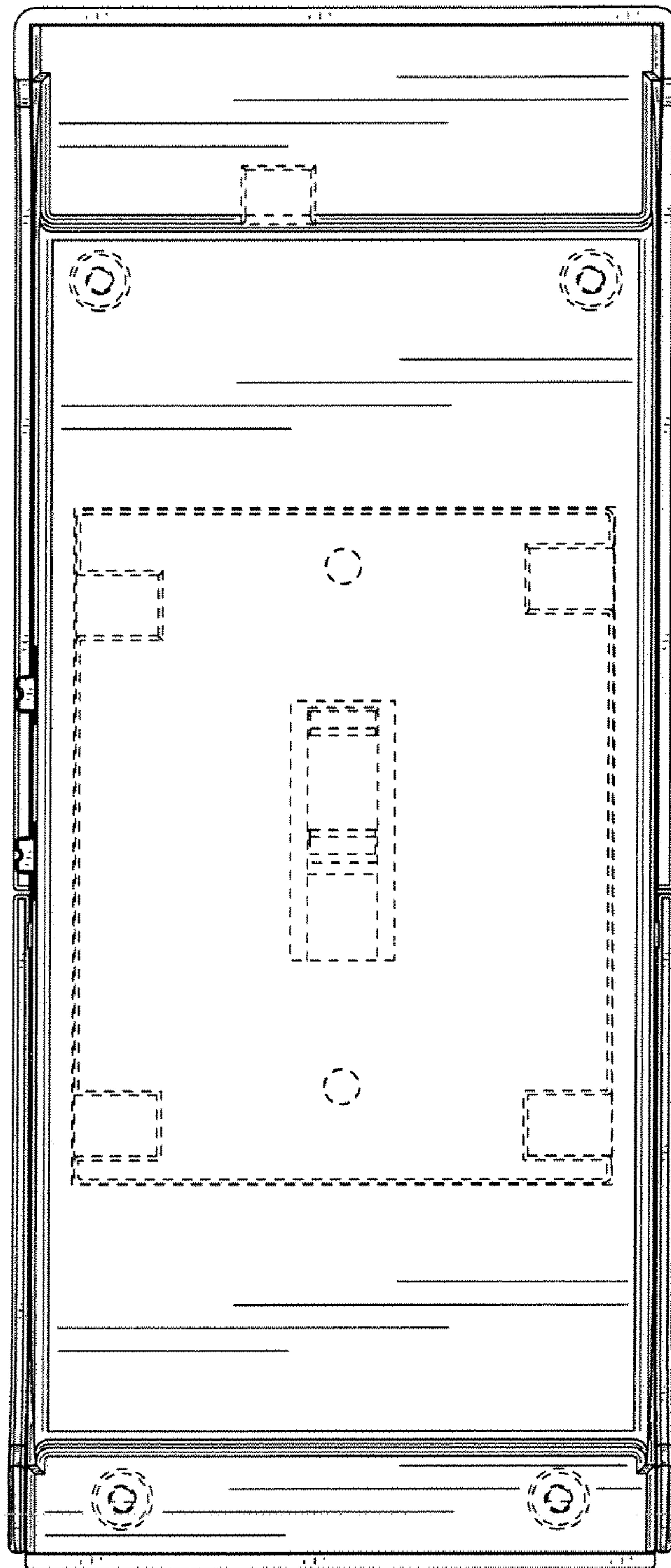


FIG. 3

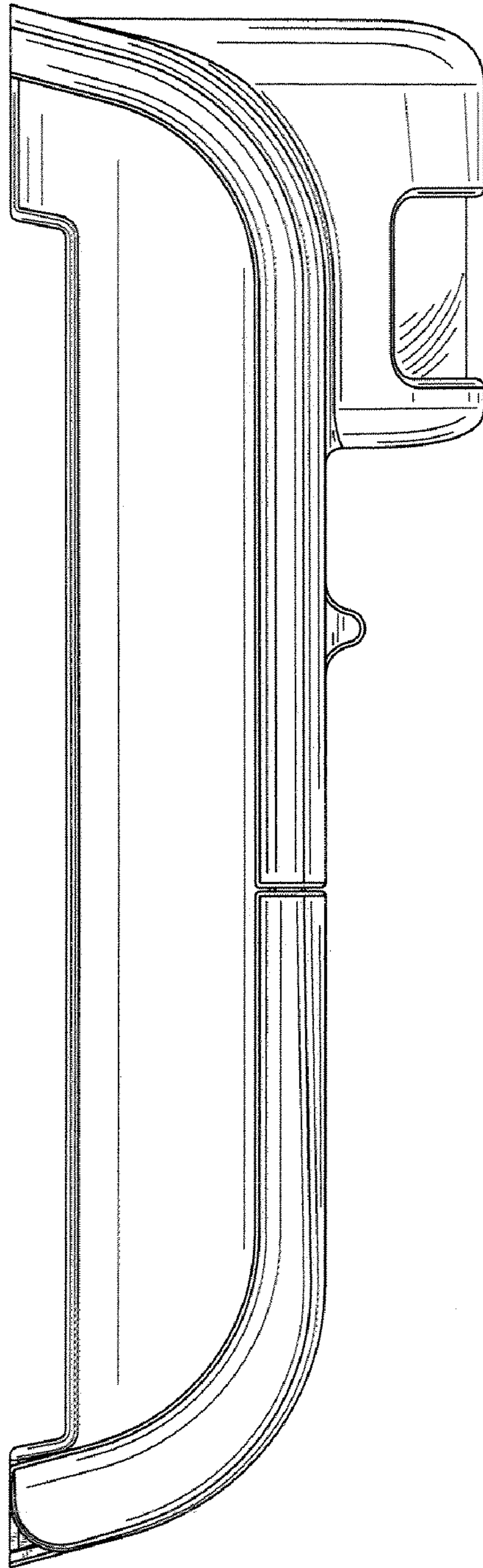


FIG. 4

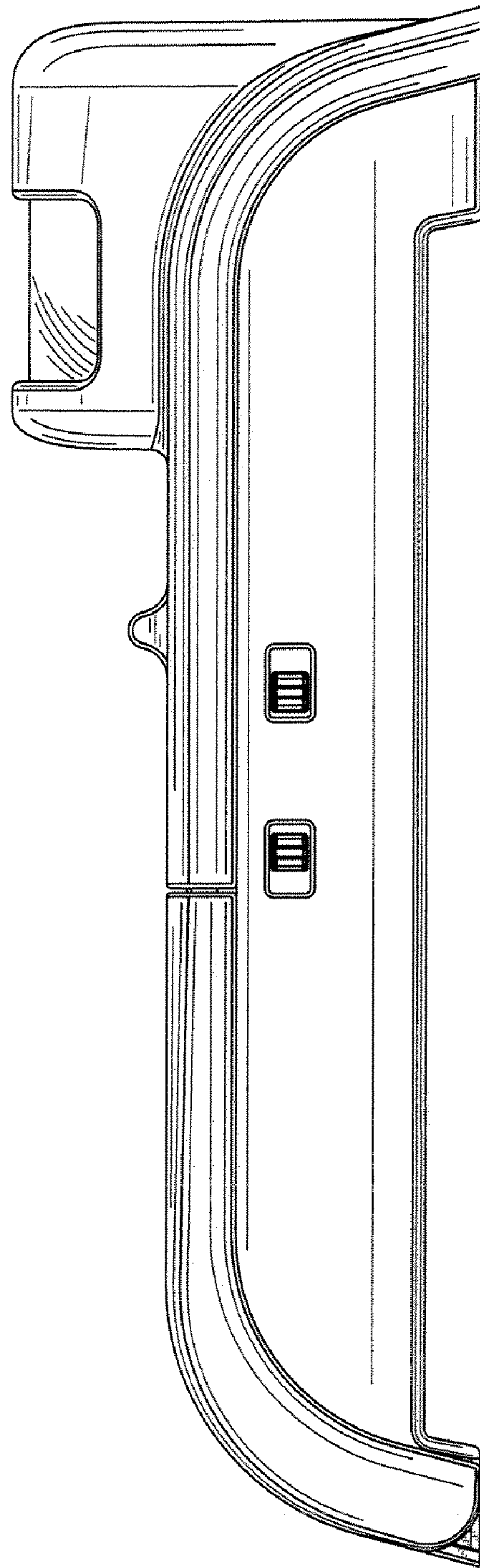


FIG. 5

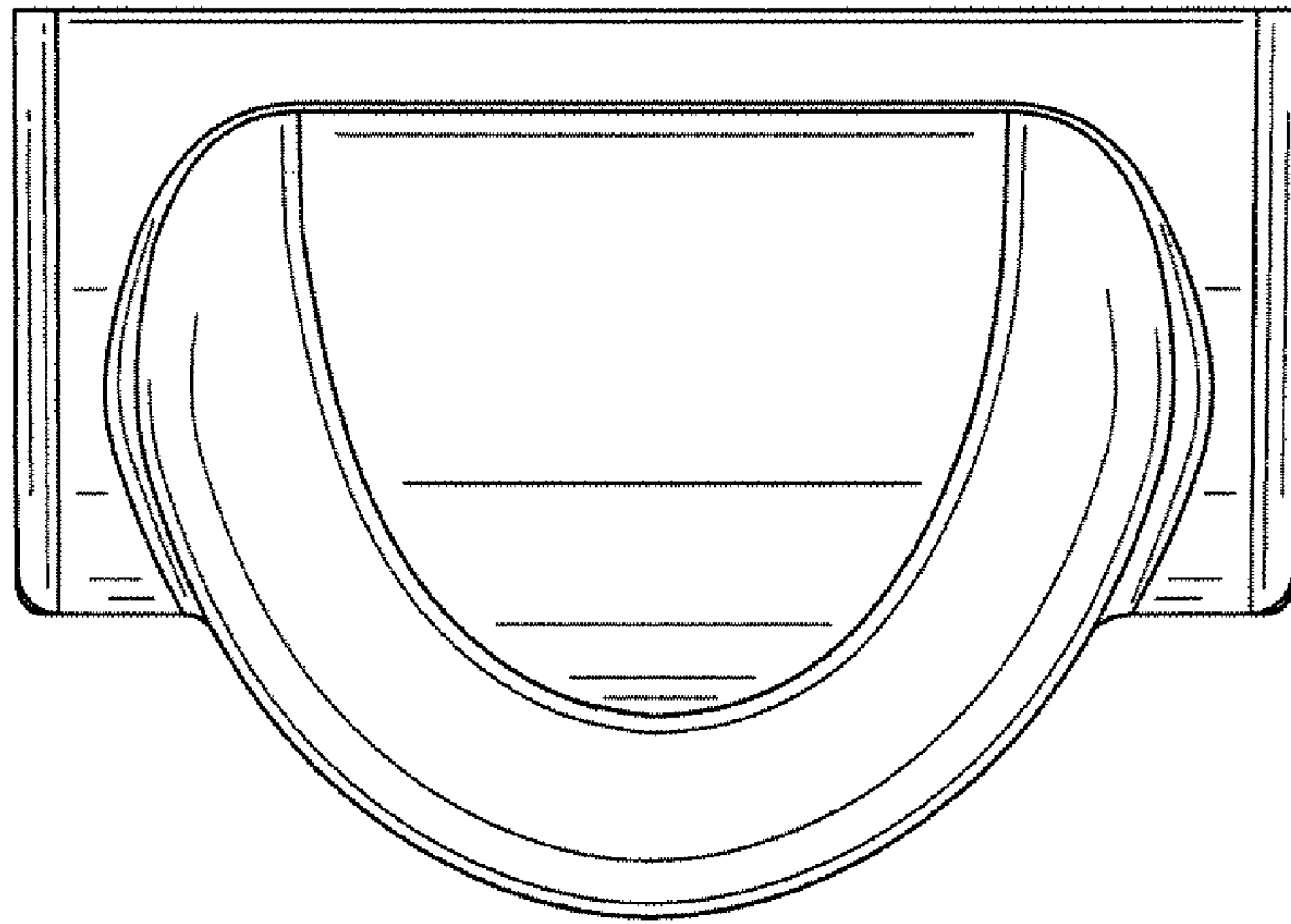


FIG. 6

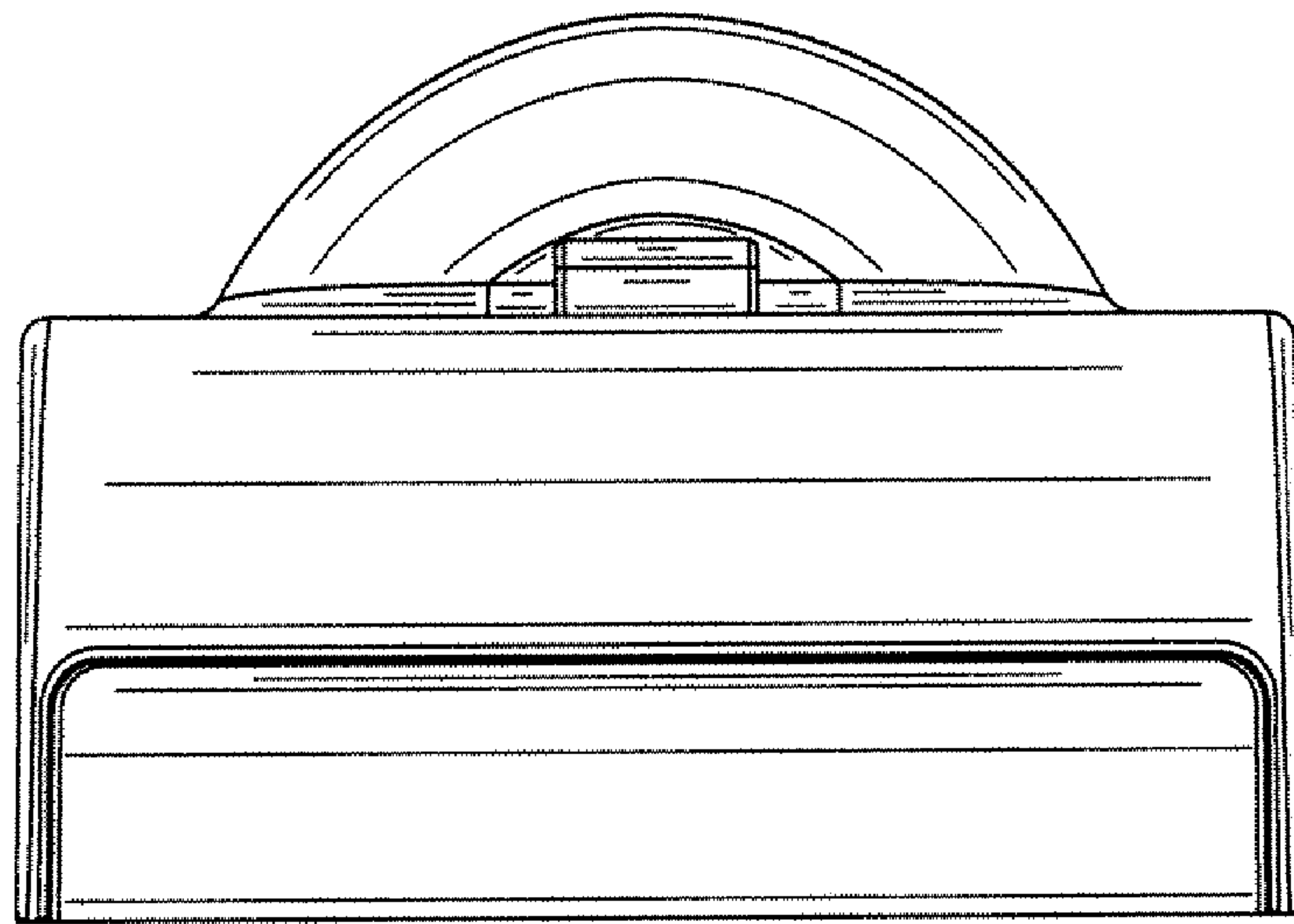


FIG. 7