



US00D603345S

(12) **United States Design Patent**  
**Melzner et al.**

(10) **Patent No.:** **US D603,345 S**  
(45) **Date of Patent:** **\*\* Nov. 3, 2009**

(54) **MINI CONTROLLER FOR LIGHTING SYSTEM**

(75) Inventors: **Erwin Melzner**, Frasdorf (DE); **Michael Jonischkeit**, Alxing (DE); **Kerstin Schlegel**, Stephanskirchen (DE); **Dennis Jackstien**, Stephanskirchen (DE)

(73) Assignee: **Arnold & Richter Cine Technik GmbH & Co. Betriebs KG**, Munich (DE)

(\*\*) Term: **14 Years**

(21) Appl. No.: **29/325,723**

(22) Filed: **Oct. 3, 2008**

(30) **Foreign Application Priority Data**

Apr. 4, 2008 (DE) ..... 402008001754

(51) **LOC (9) Cl.** ..... **13-03**

(52) **U.S. Cl.** ..... **D13/162**

(58) **Field of Classification Search** ..... D13/158, D13/162, 163, 164, 168, 177, 184, 199; D16/219, D16/237, 242, 245; D14/413, 218; 340/825.22, 340/825.29, 825.72, 825.69; 396/57; D10/49, D10/46, 62, 106; 200/5 R, 5 A; 361/671, 361/680; 455/151.2, 151.3, 151.4  
See application file for complete search history.

(56) **References Cited**

U.S. PATENT DOCUMENTS

D297,527 S *	9/1988	Iacovelli	.....	D12/418
4,879,437 A *	11/1989	Dard et al.	.....	200/1 R
D356,567 S *	3/1995	Jones	.....	D13/162
D477,286 S *	7/2003	Krajci et al.	.....	D13/162
D489,337 S *	5/2004	Murray	.....	D13/162
D533,846 S *	12/2006	Burton	.....	D13/171
7,274,302 B2 *	9/2007	Stevenson et al.	.....	340/815.45
D572,192 S *	7/2008	Zhu	.....	D13/122

FOREIGN PATENT DOCUMENTS

DE	20 2004 016 637 U1	2/2005
DE	4 07 04 520.1	10/2007
DE	10 2007 044 566 A1	3/2009
DE	10 2007 044 567 A1	3/2009
EP	0 921 568 A2	6/1999

OTHER PUBLICATIONS

Patent Application No. DE 10 2007 044 567, filed Sep. 7, 2007, 70 sheets.  
Patent Application No. DE 10 2007 044 566, filed Sep. 7, 2007, 64 sheets.

\* cited by examiner

*Primary Examiner*—Stella M Reid

*Assistant Examiner*—Thomas J Johannes

(74) *Attorney, Agent, or Firm*—Christie, Parker & Hale, LLP

(57) **CLAIM**

The ornamental design for mini controller for lighting system, as shown and described.

**DESCRIPTION**

FIG. 1 is a top perspective view of the mini controller for lighting system;

FIG. 2 is a top view of the mini controller for lighting system;

FIG. 3 is a front view of the mini controller for lighting system;

FIG. 4 is a left side view of the mini controller for lighting system;

FIG. 5 is a right side view of the mini controller for lighting system;

FIG. 6 is a back view of the mini controller for lighting system; and,

FIG. 7 is a bottom view of the mini controller for lighting system.

Features in broken lines are not part of the claimed design.

**1 Claim, 7 Drawing Sheets**

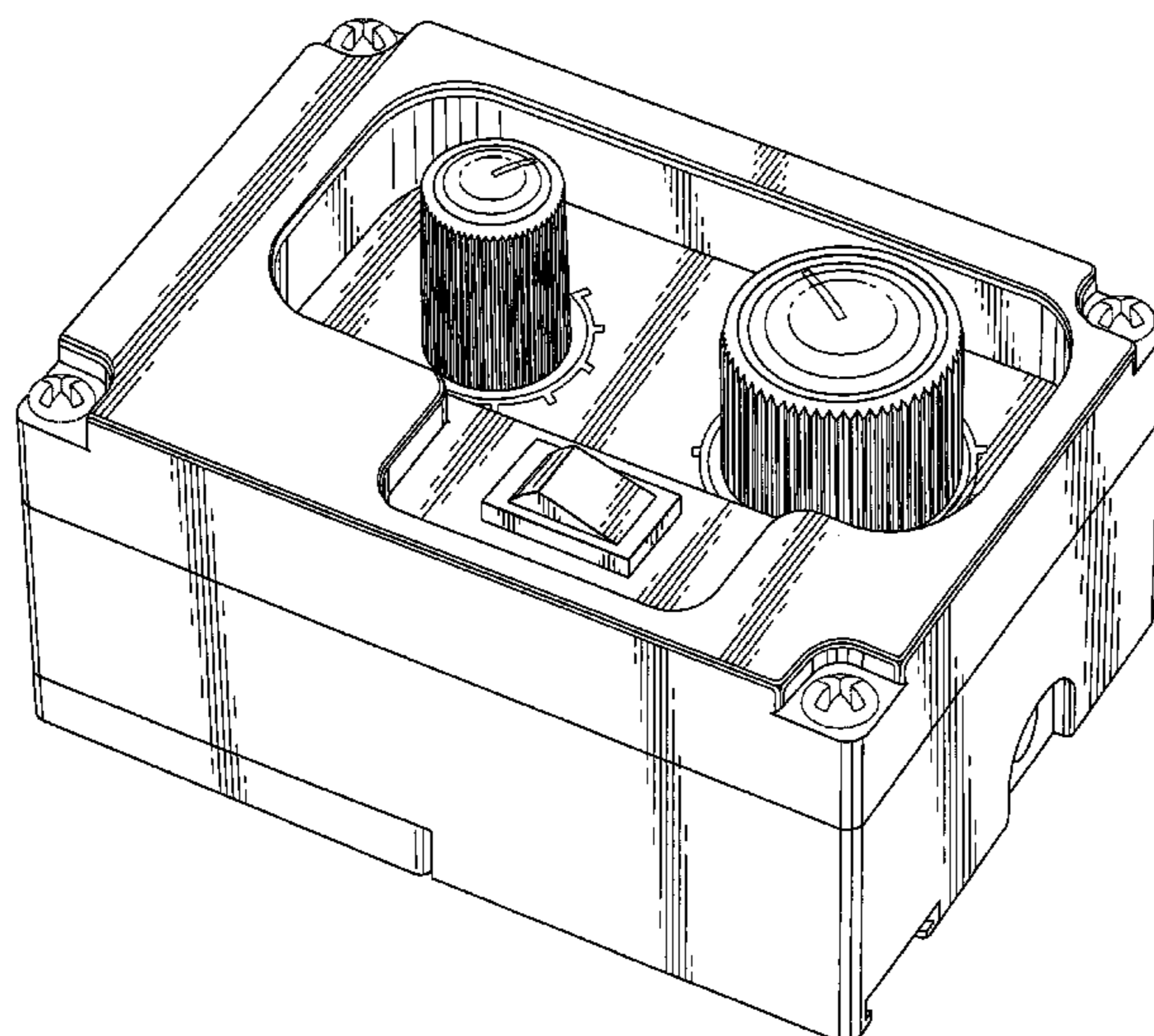


FIG. 1

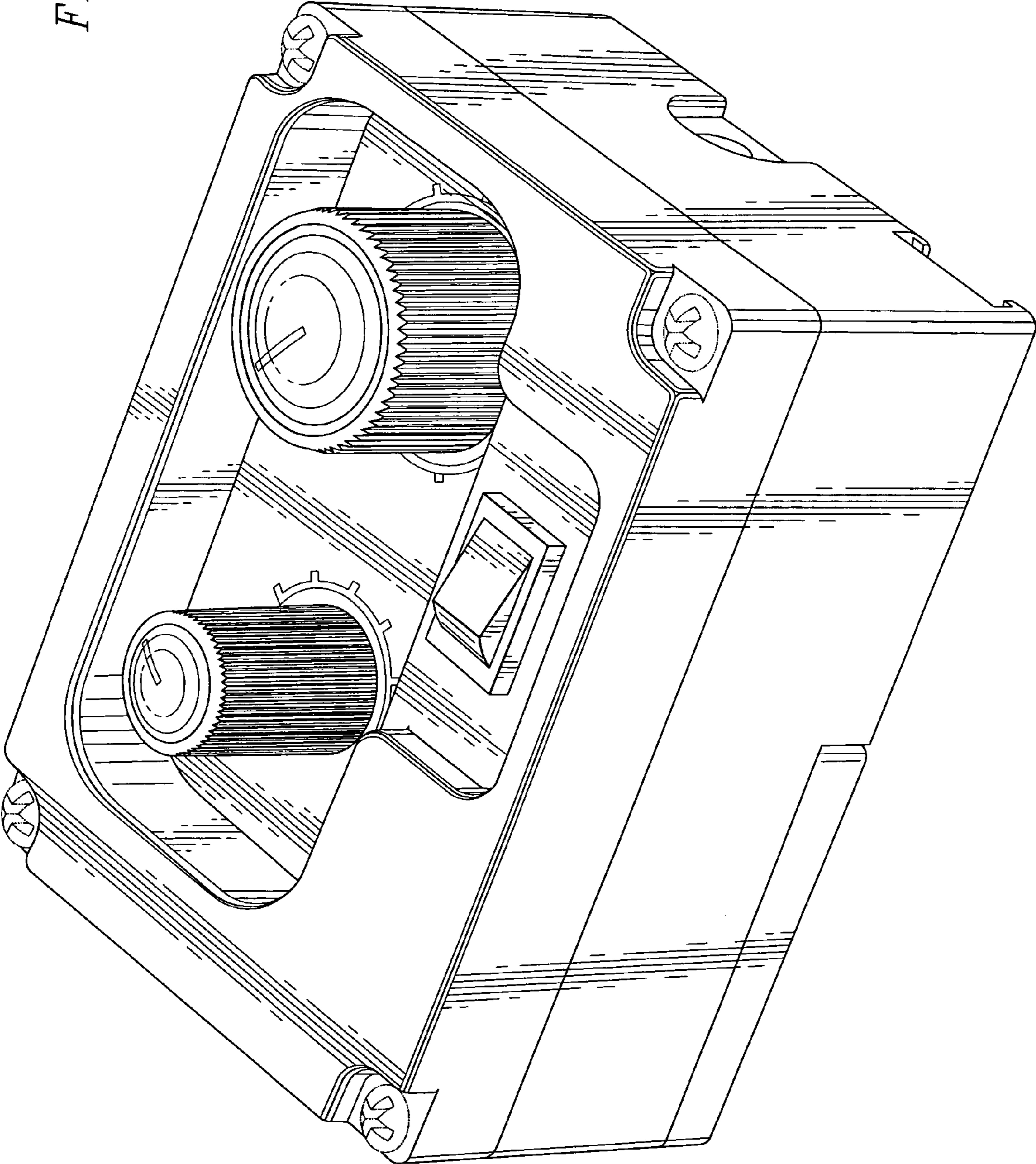


FIG. 2

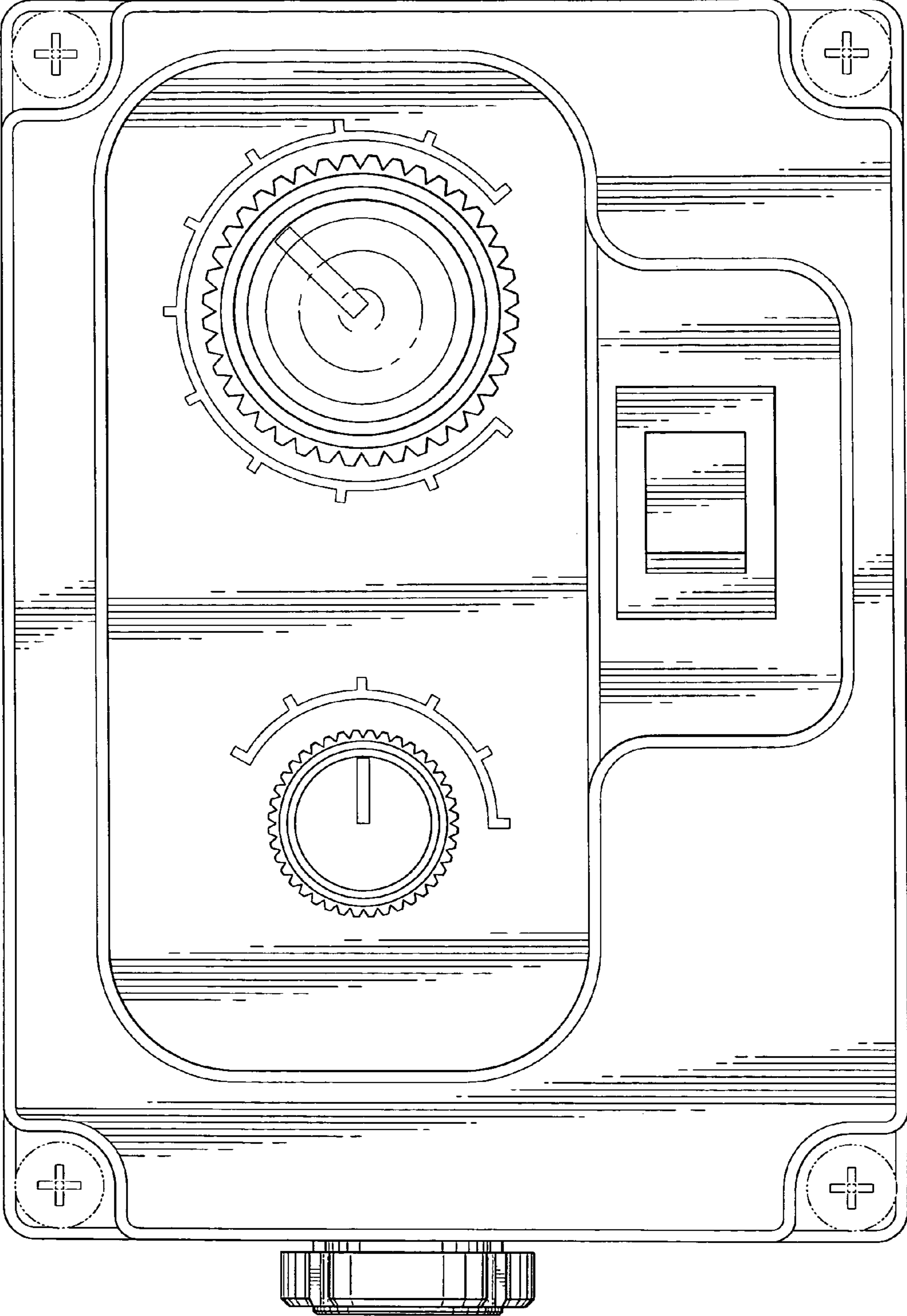


FIG. 3

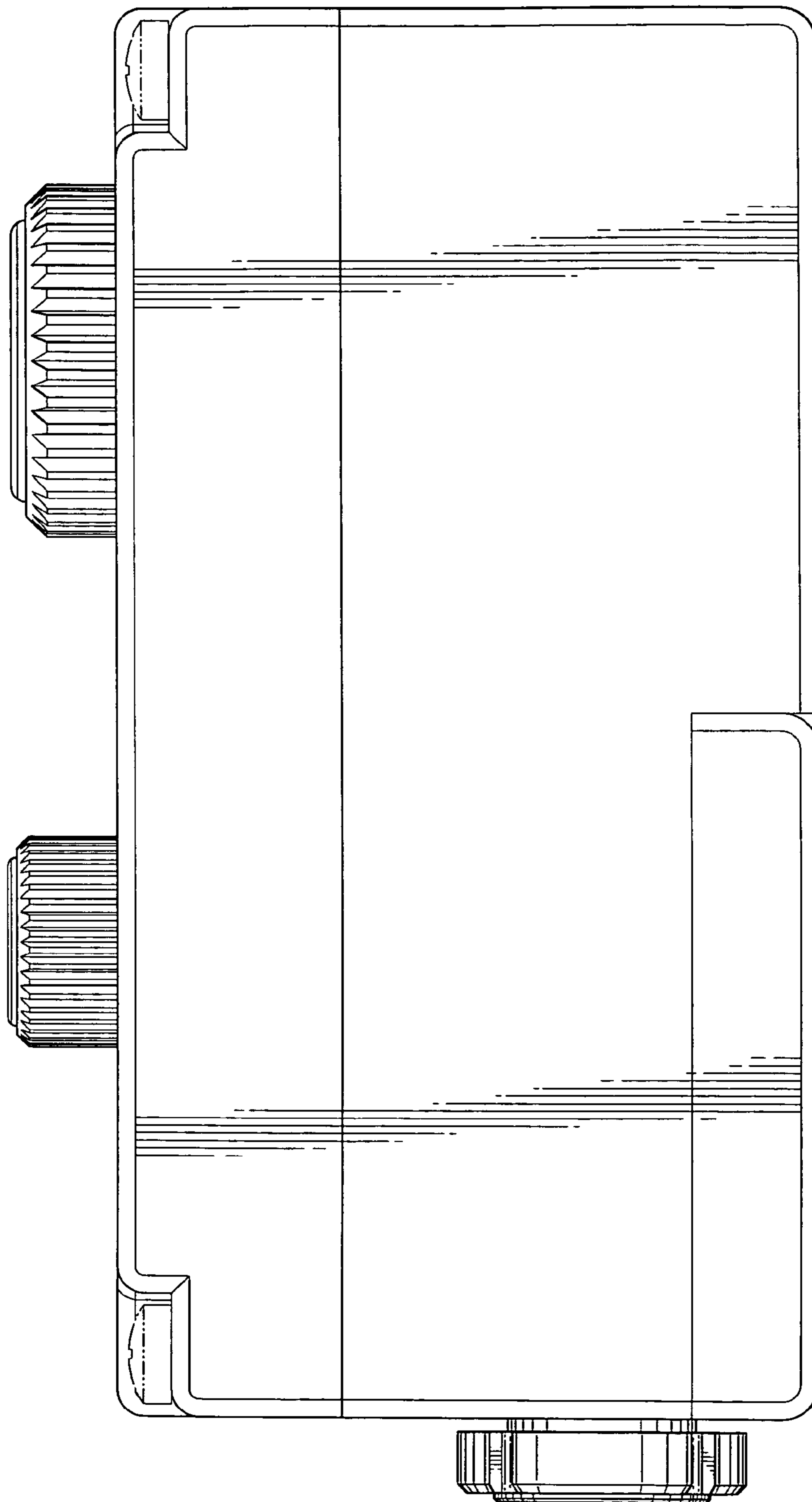


FIG. 4

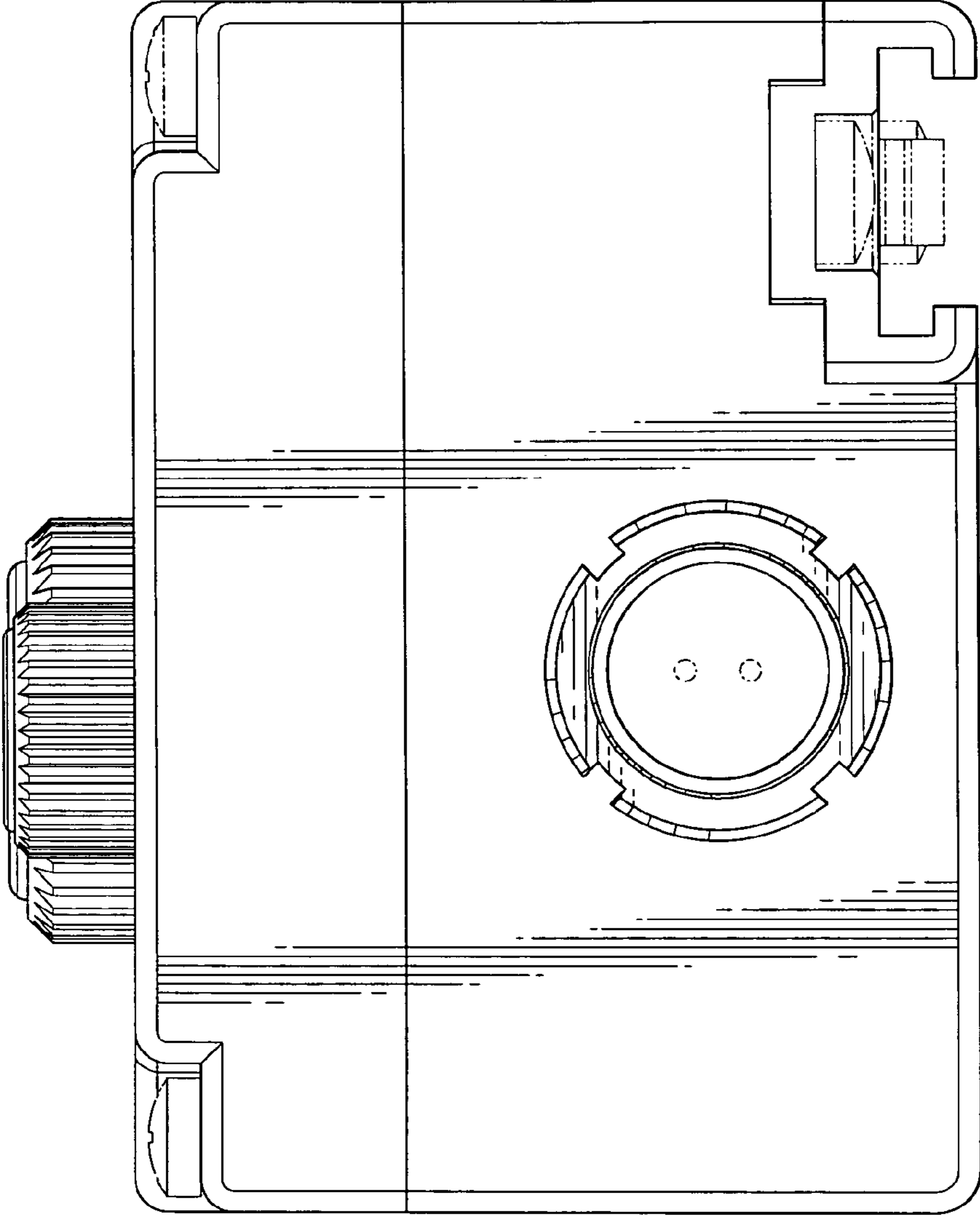


FIG. 5

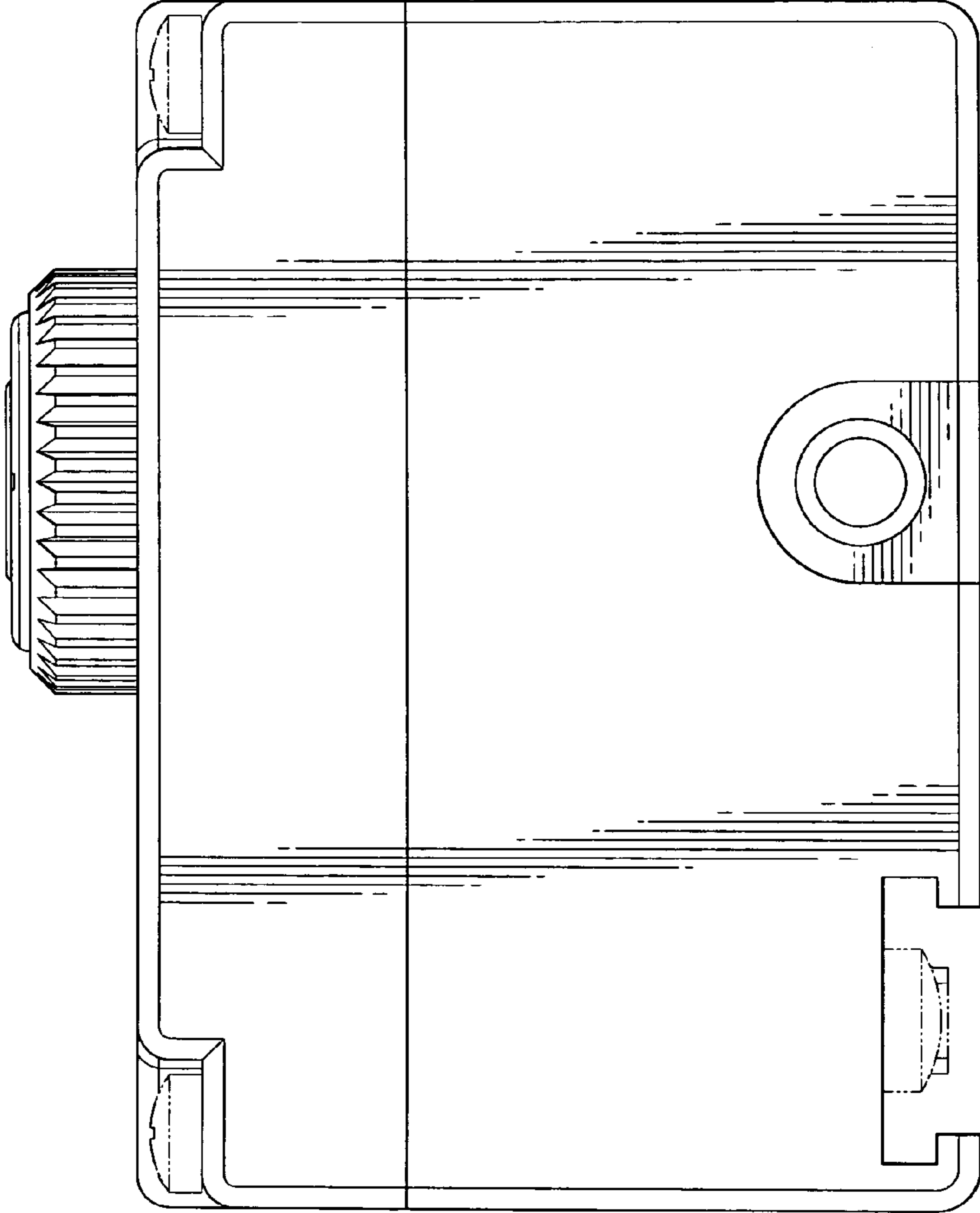


FIG. 6

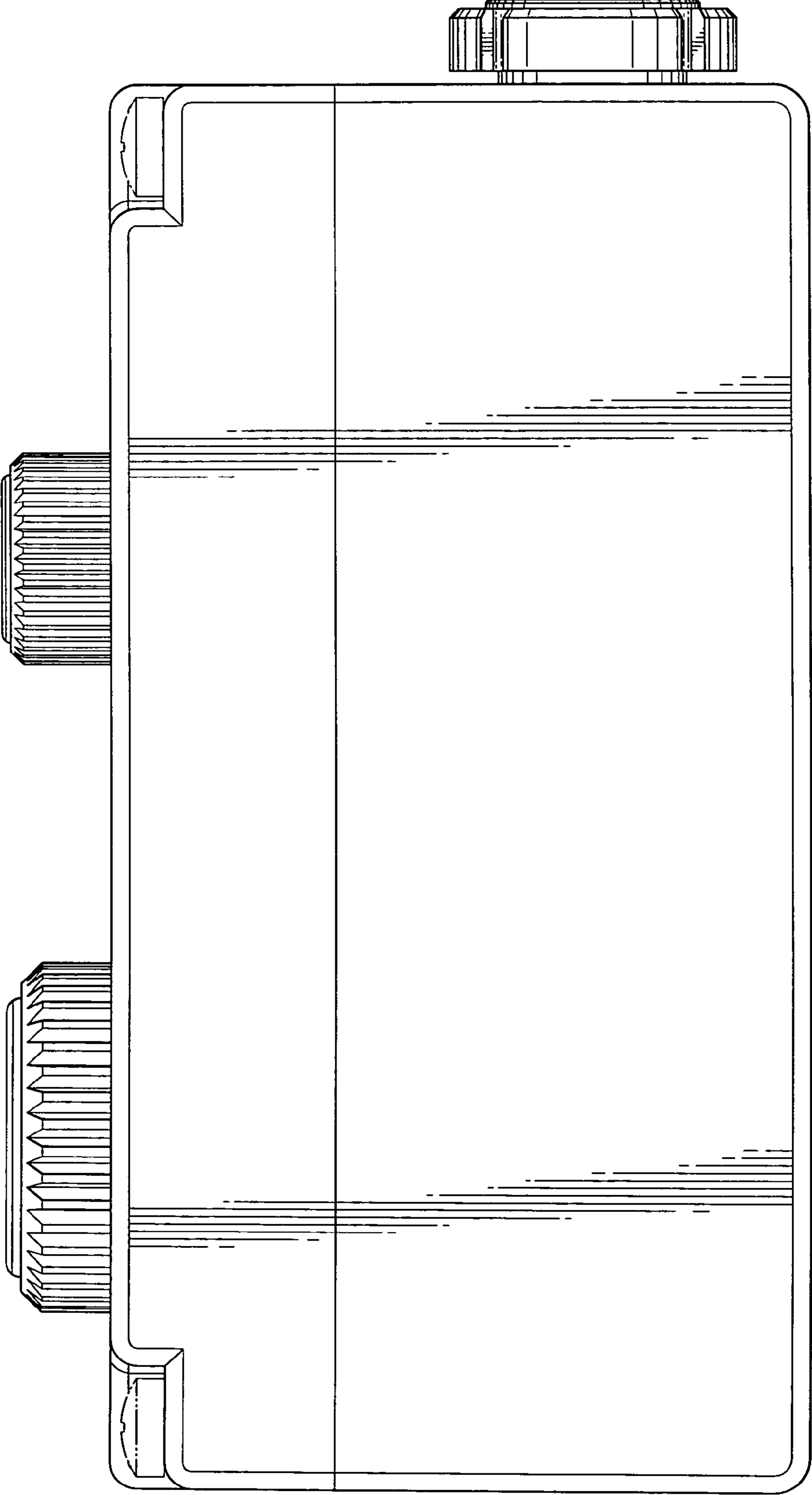


FIG. 7

