

US00D603341S

(12) **United States Design Patent**
Kawakami et al.

(10) **Patent No.:** **US D603,341 S**

(45) **Date of Patent:** **** Nov. 3, 2009**

(54) **FLOW SWITCH**

D542,682 S * 5/2007 Waki D10/85
D568,255 S * 5/2008 Kurisaki et al. D13/158

(75) Inventors: **Hiroshi Kawakami**, Tsukubamirai (JP);
Tsukasa Yamamoto, Tsukubamirai (JP);
Junya Abe, Tsukubamirai (JP)

* cited by examiner

(73) Assignee: **SMC Corporation**, Chiyoda-ku, Tokyo
(JP)

Primary Examiner—Daniel D Bui
Assistant Examiner—Thomas J Johannes
(74) *Attorney, Agent, or Firm*—Yokoi & Co., U.S.A., Inc.;
Peter Ganjian

(**) Term: **14 Years**

(21) Appl. No.: **29/312,297**

(22) Filed: **Oct. 14, 2008**

(57) **CLAIM**

The ornamental design for a flow switch, as shown and described.

(30) **Foreign Application Priority Data**

DESCRIPTION

Apr. 18, 2008 (JP) 2008-010013

FIG. 1 shows a front view of a flow switch showing my new design;

(51) **LOC (9) Cl.** **13-03**

FIG. 2 shows a rear view thereof;

(52) **U.S. Cl.** **D13/158**

FIG. 3 shows a right side view thereof;

(58) **Field of Classification Search** D13/158,
D13/162, 164, 177, 184, 199; 200/308, 520,
200/5 A, 5 R, 83, 83 Q, 81 R, 81.4; D10/85,
D10/96; D23/233

FIG. 4 shows a left side view thereof;

See application file for complete search history.

FIG. 5 shows a top view thereof;

FIG. 6 shows a bottom view thereof;

(56) **References Cited**

FIG. 7 shows a top, front and left side perspective view thereof; and,

U.S. PATENT DOCUMENTS

FIG. 8 shows a partial cross-section view thereof.

D335,096 S * 4/1993 Marsh D10/96
D416,310 S * 11/1999 Uehara et al. D23/235
D440,502 S * 4/2001 Higashikata et al. D10/49
D447,072 S * 8/2001 Asai et al. D10/96
D500,259 S * 12/2004 Kita et al. D10/85

The broken line portion of the figure drawings is included to show unclaimed subject matter only and forms no part of the claimed design.

1 Claim, 4 Drawing Sheets

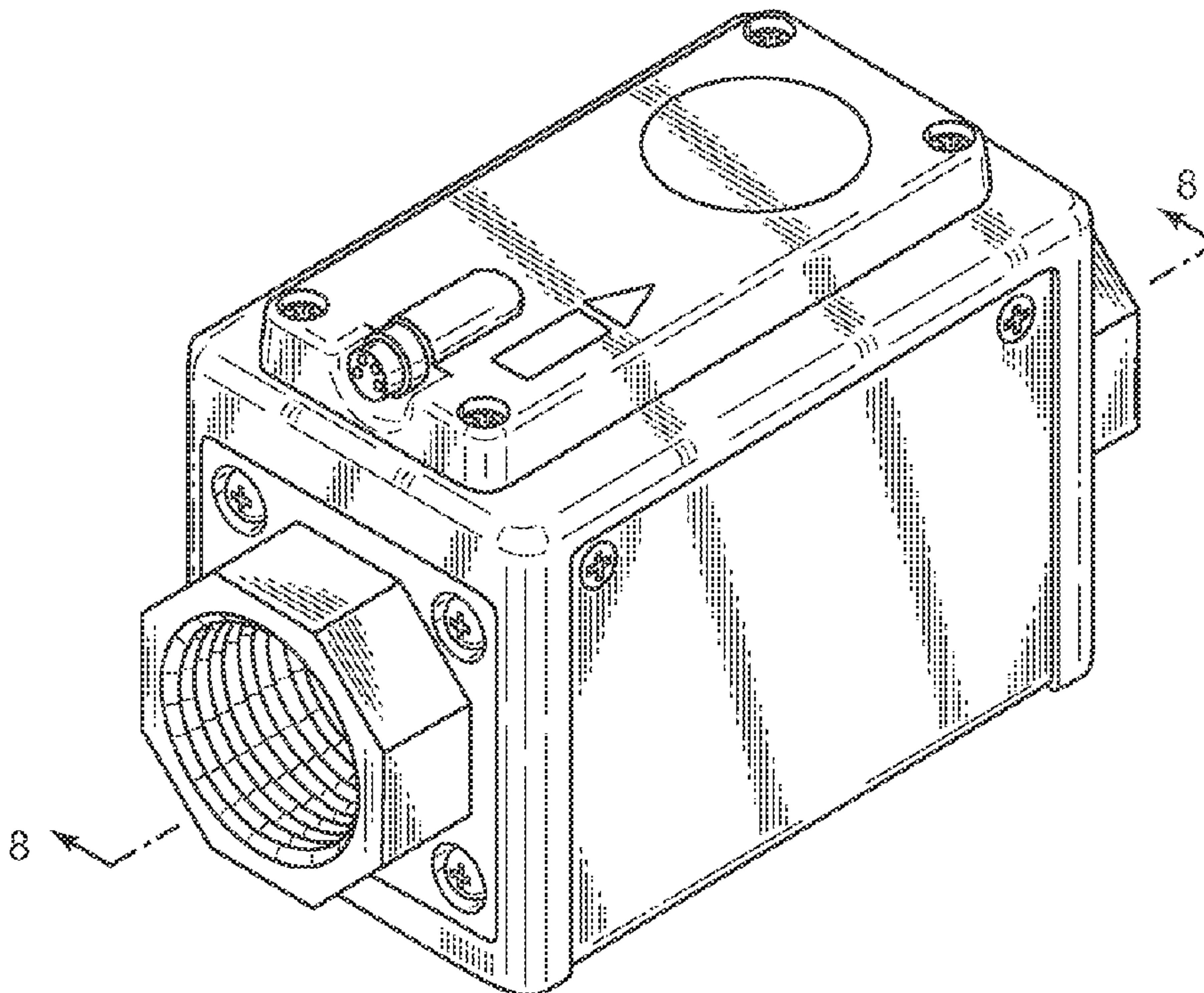


FIG. 1

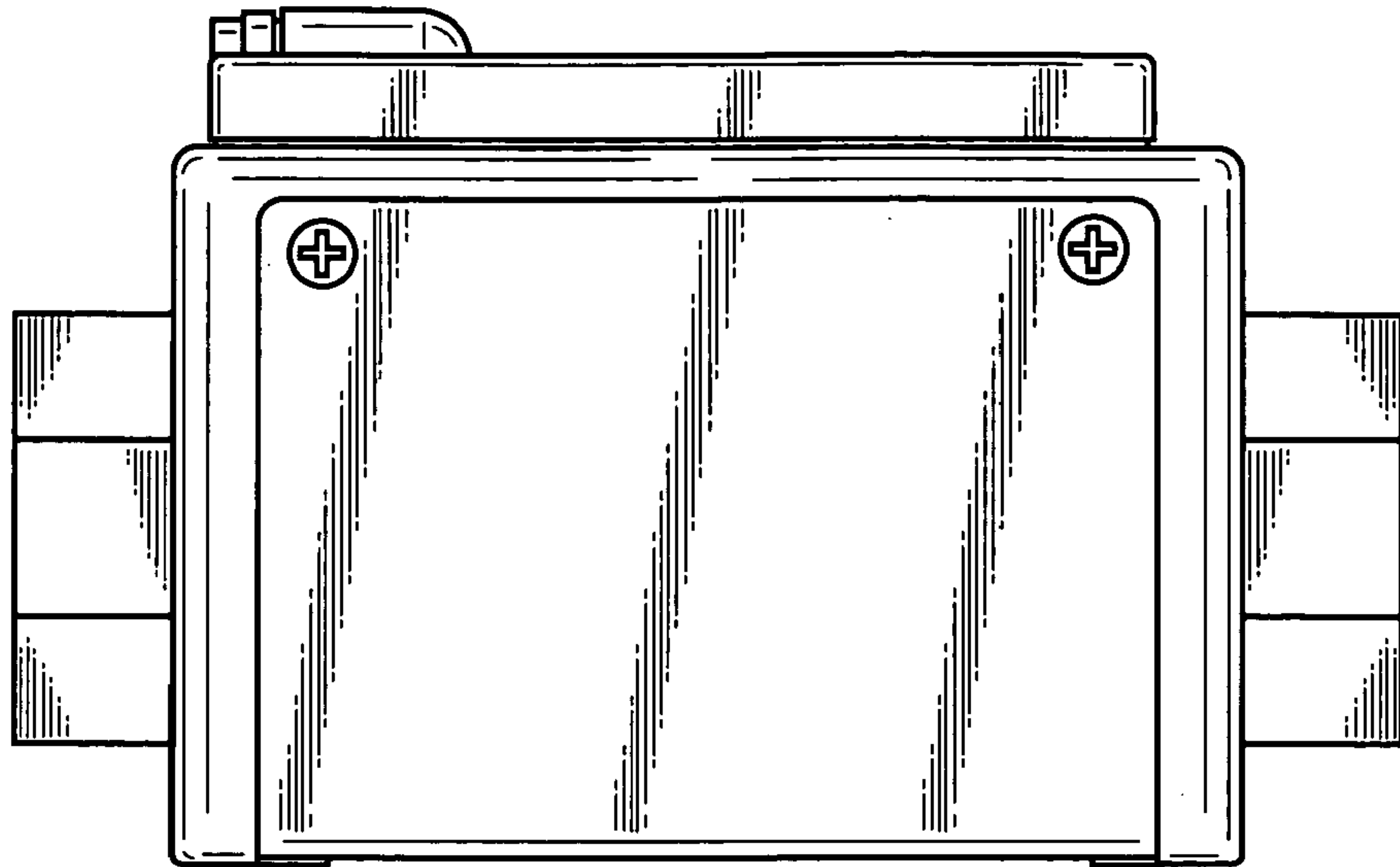


FIG. 2

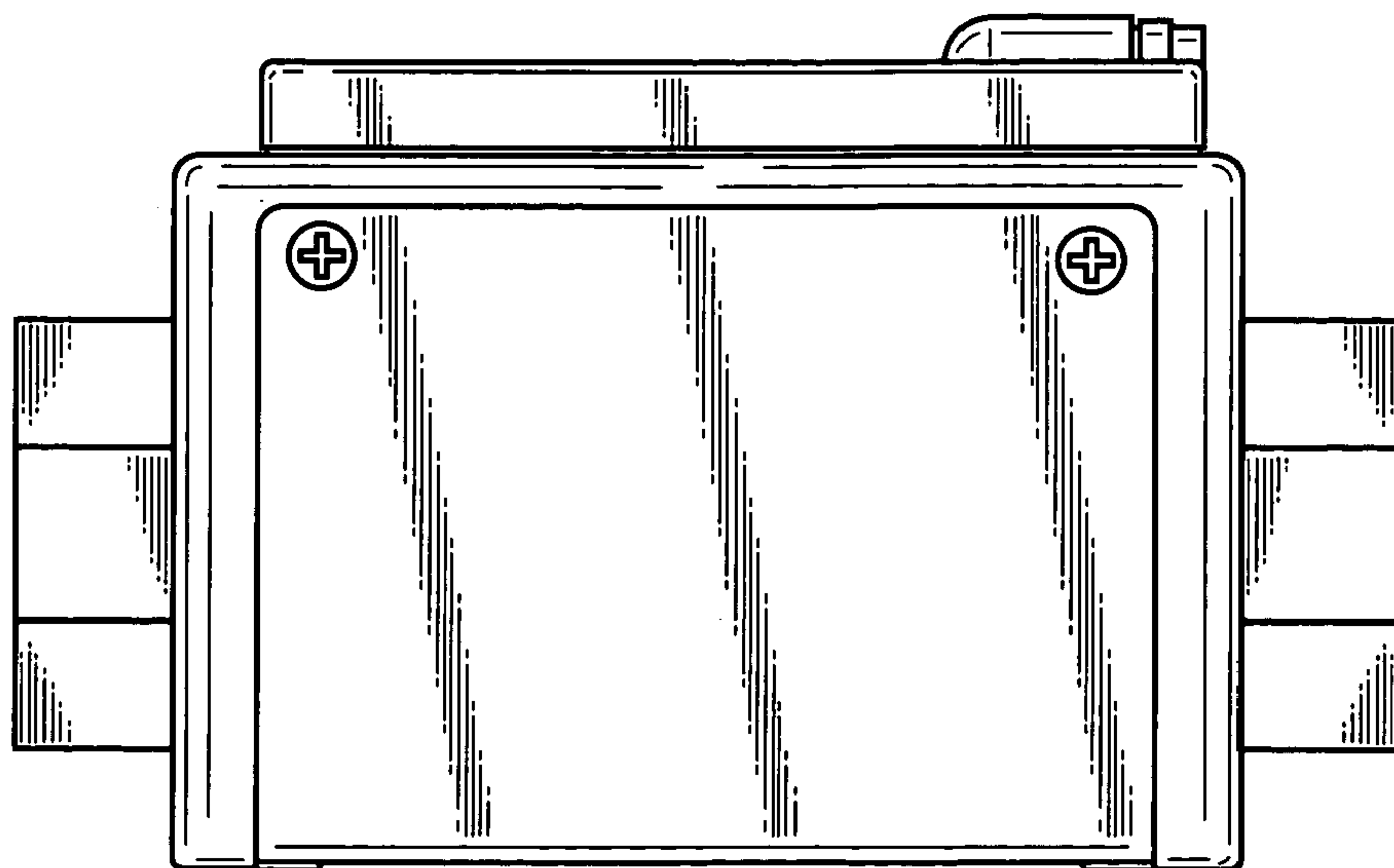


FIG. 3

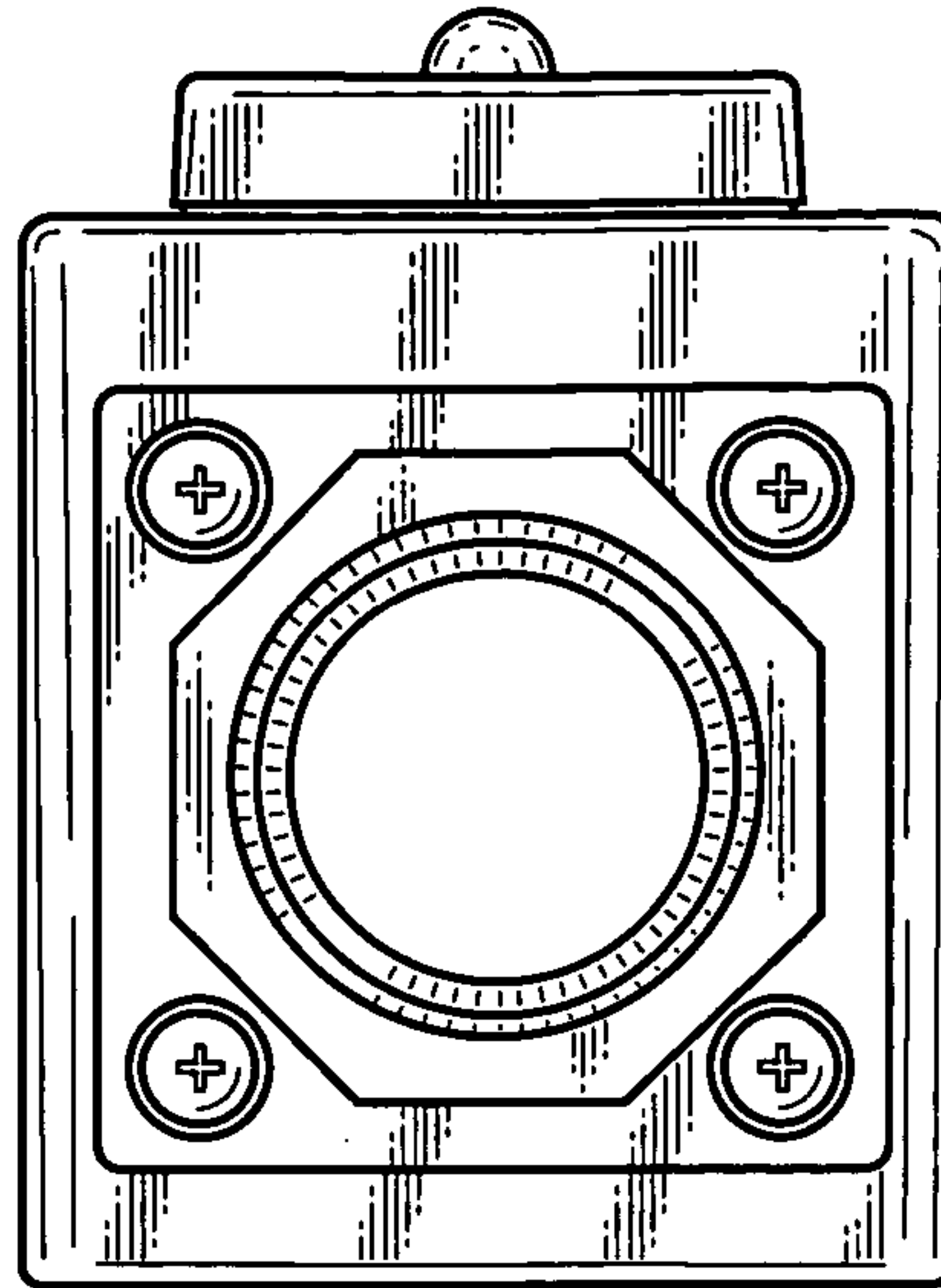


FIG. 4

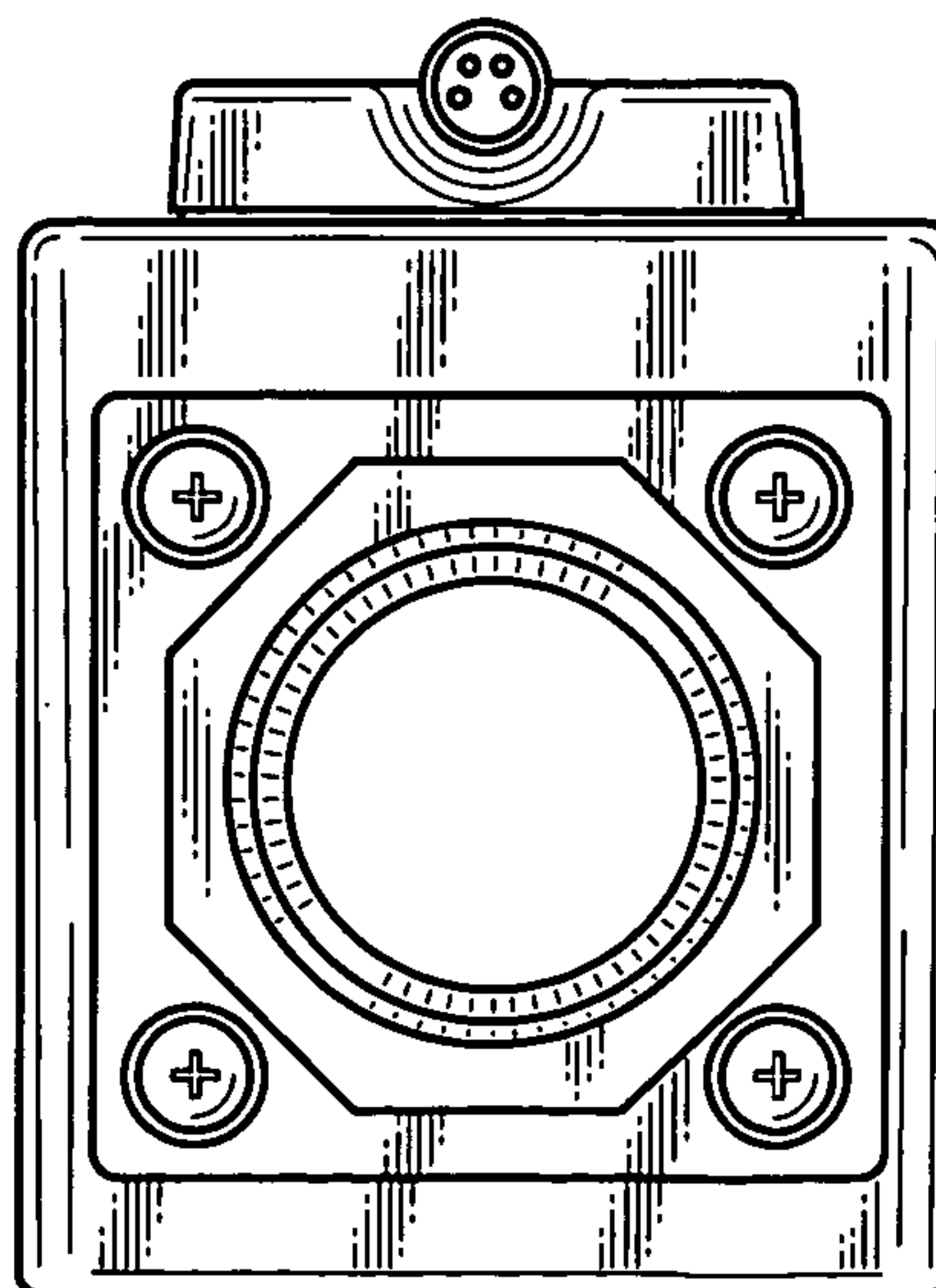


FIG. 5

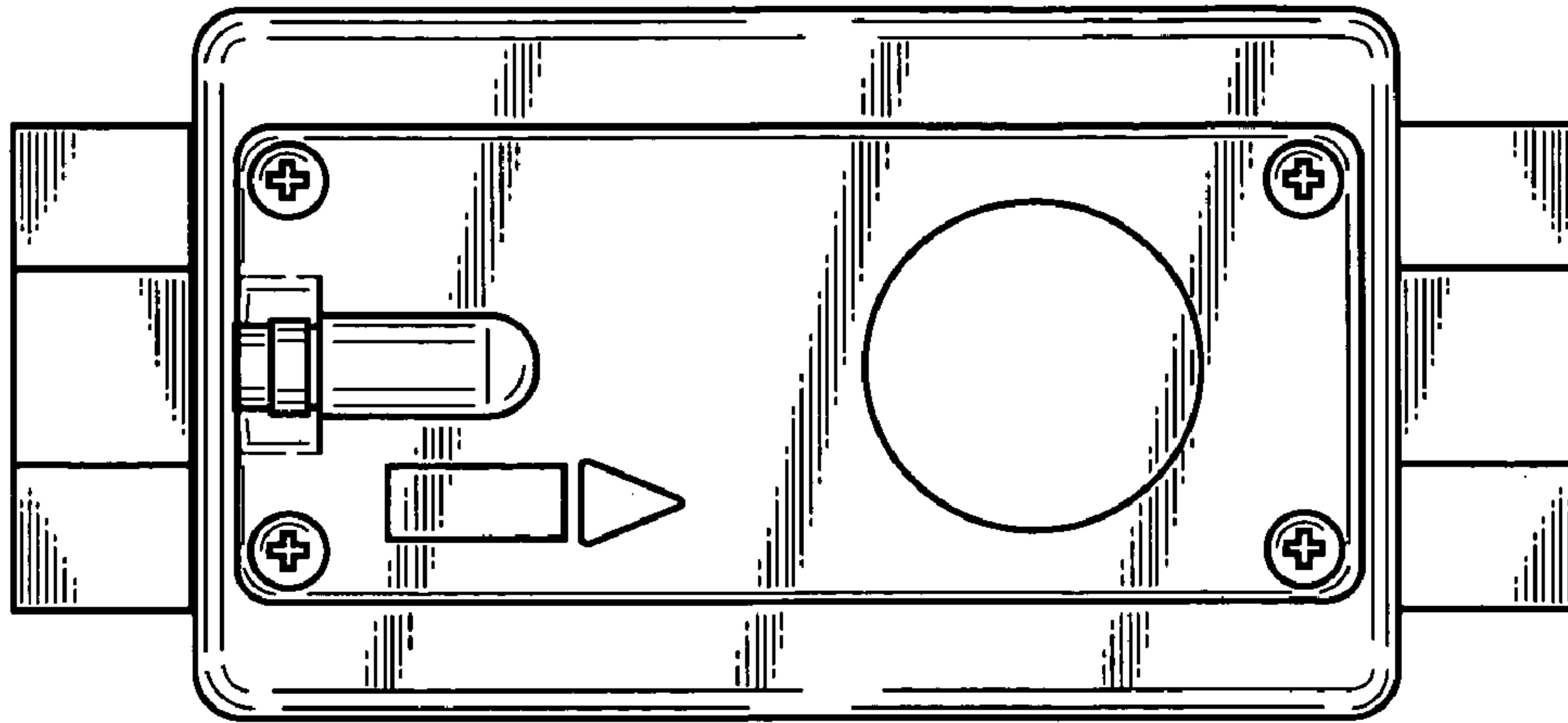


FIG. 6

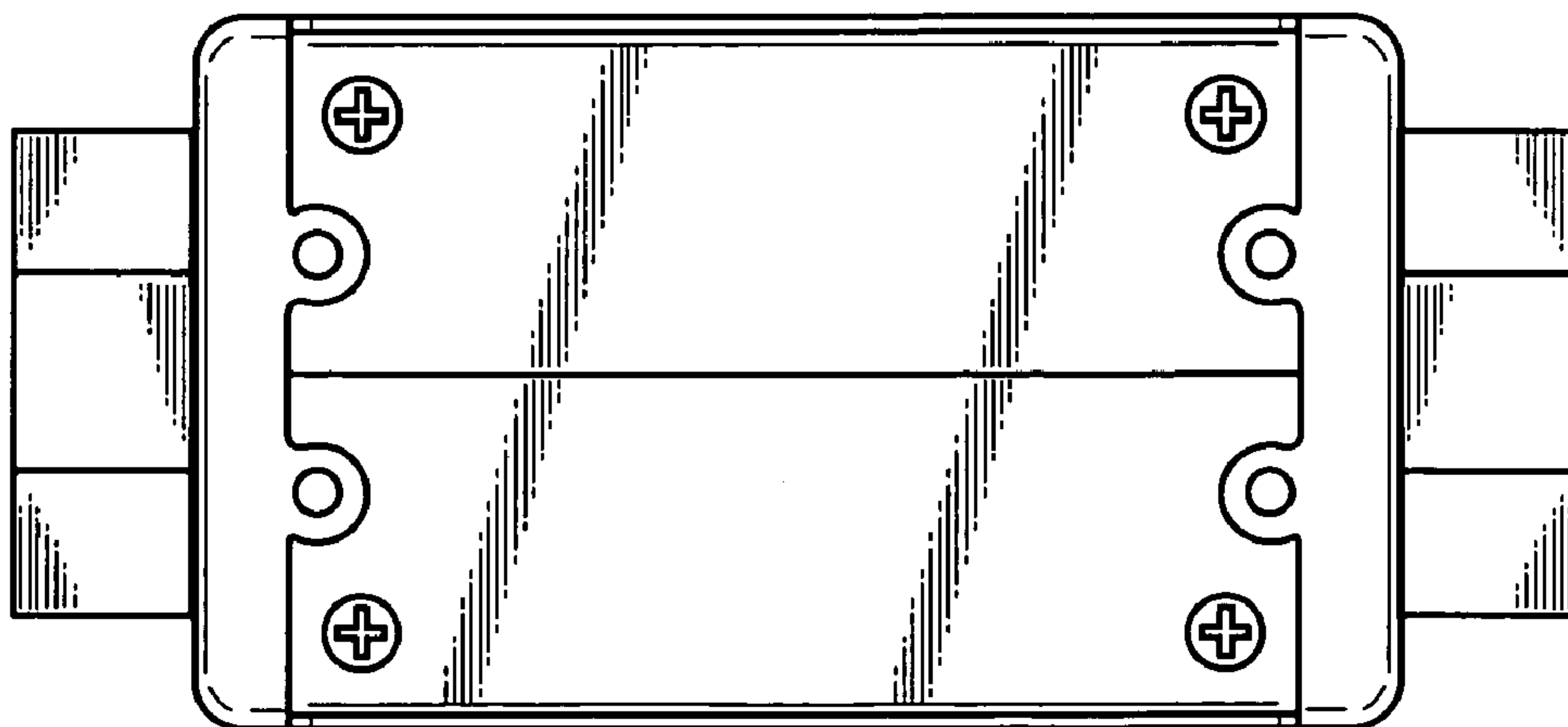


FIG. 7

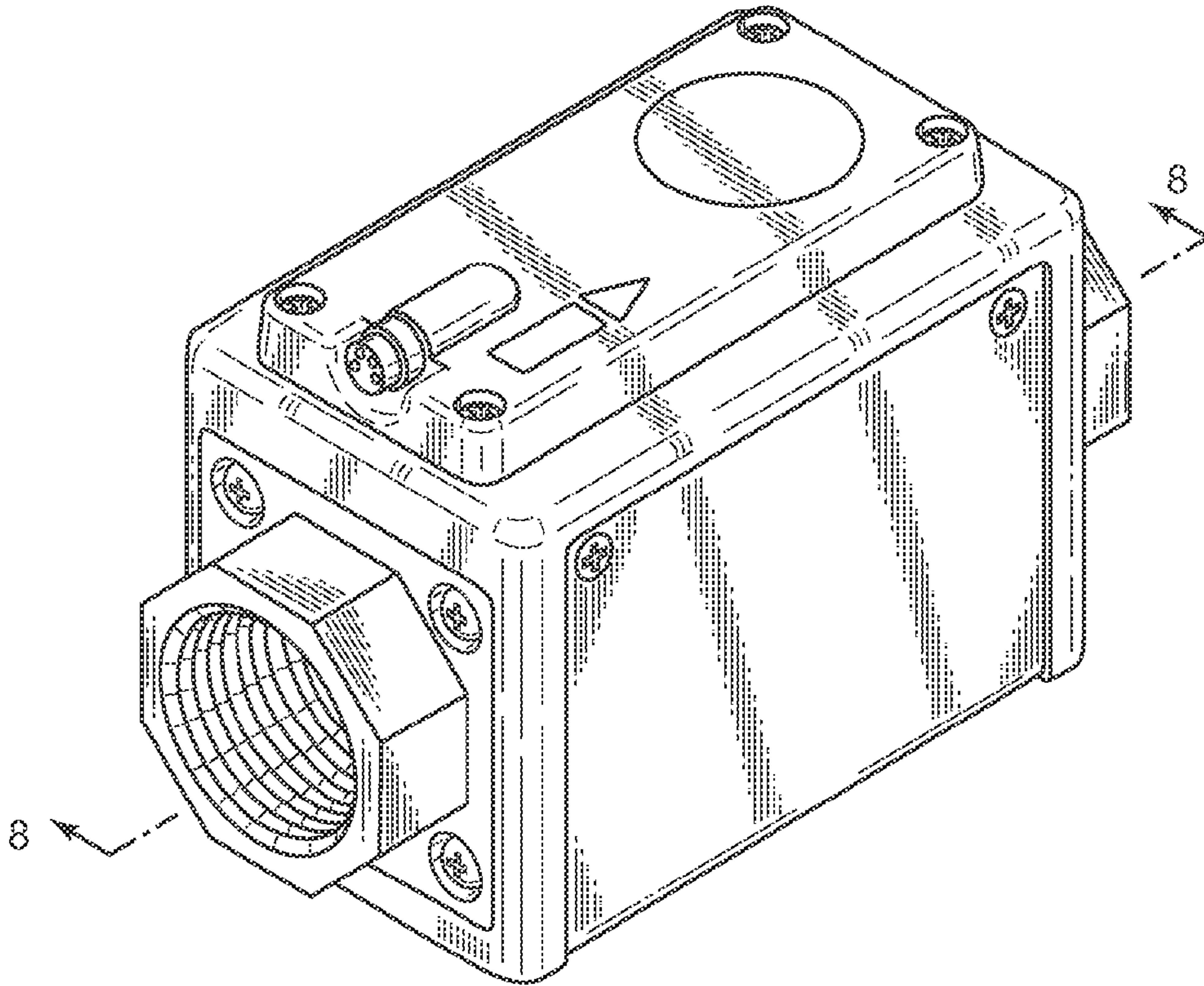


FIG. 8

