



US00D603339S

(12) **United States Design Patent**
Zhao et al.

(10) **Patent No.:** **US D603,339 S**

(45) **Date of Patent:** **** Nov. 3, 2009**

(54) **CABLE CONNECTOR ASSEMBLY**

D536,306 S * 2/2007 Huang D13/147

(75) Inventors: **Jing-He Zhao**, Kunshan (CN);
Ping-Sheng Su, Tu-Cheng (TW)

* cited by examiner

Primary Examiner—Daniel D Bui

(73) Assignee: **Hon Hai Precision Ind. Co., Ltd.**,
Taipei Hsien (TW)

(74) *Attorney, Agent, or Firm*—Wei Te Chung; Andrew C. Cheng; Ming Chieh Chang

(**) Term: **14 Years**

(57) **CLAIM**

(21) Appl. No.: **29/336,733**

The ornamental design for a cable connector assembly, as shown and described.

(22) Filed: **May 8, 2009**

DESCRIPTION

(30) **Foreign Application Priority Data**

Nov. 10, 2008 (CN) 200830301860.4

FIG. 1 is a perspective view of a cable connector assembly showing our new design;

(51) **LOC (9) Cl.** **13-03**

FIG. 2 is a front elevational view thereof;

(52) **U.S. Cl.** **D13/147**

FIG. 3 is a rear elevational view thereof;

(58) **Field of Classification Search** D13/133,
D13/146–147, 154, 184; 439/352, 357–359,
439/362, 607–610, 660, 677, 680, 682

FIG. 4 is a left side elevational view thereof;

See application file for complete search history.

FIG. 5 is a right side elevational view thereof;

FIG. 6 is a top plan view thereof; and

FIG. 7 is a bottom plan view thereof; and,

(56) **References Cited**

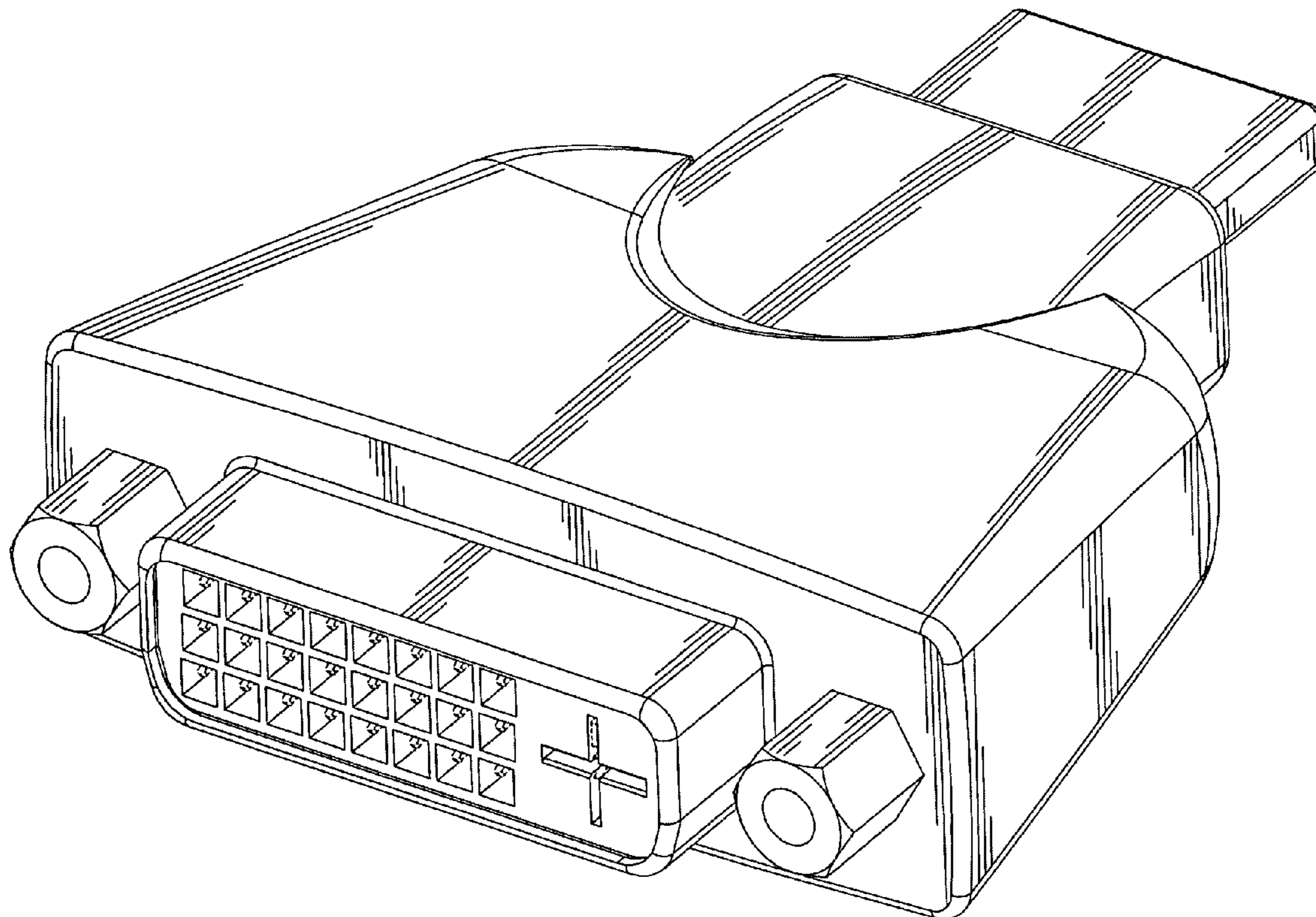
FIG. 8 is an another perspective view of a cable connector assembly showing our new design.

U.S. PATENT DOCUMENTS

The broken line portion of the figure drawings is included to show unclaimed subject matter only and forms no part of the claimed design.

- D404,361 S * 1/1999 Kellstedt et al. D13/147
- D508,464 S * 8/2005 Tanaka D13/147
- D516,035 S * 2/2006 Huang D13/147
- D530,283 S * 10/2006 Kuo D13/147

1 Claim, 8 Drawing Sheets



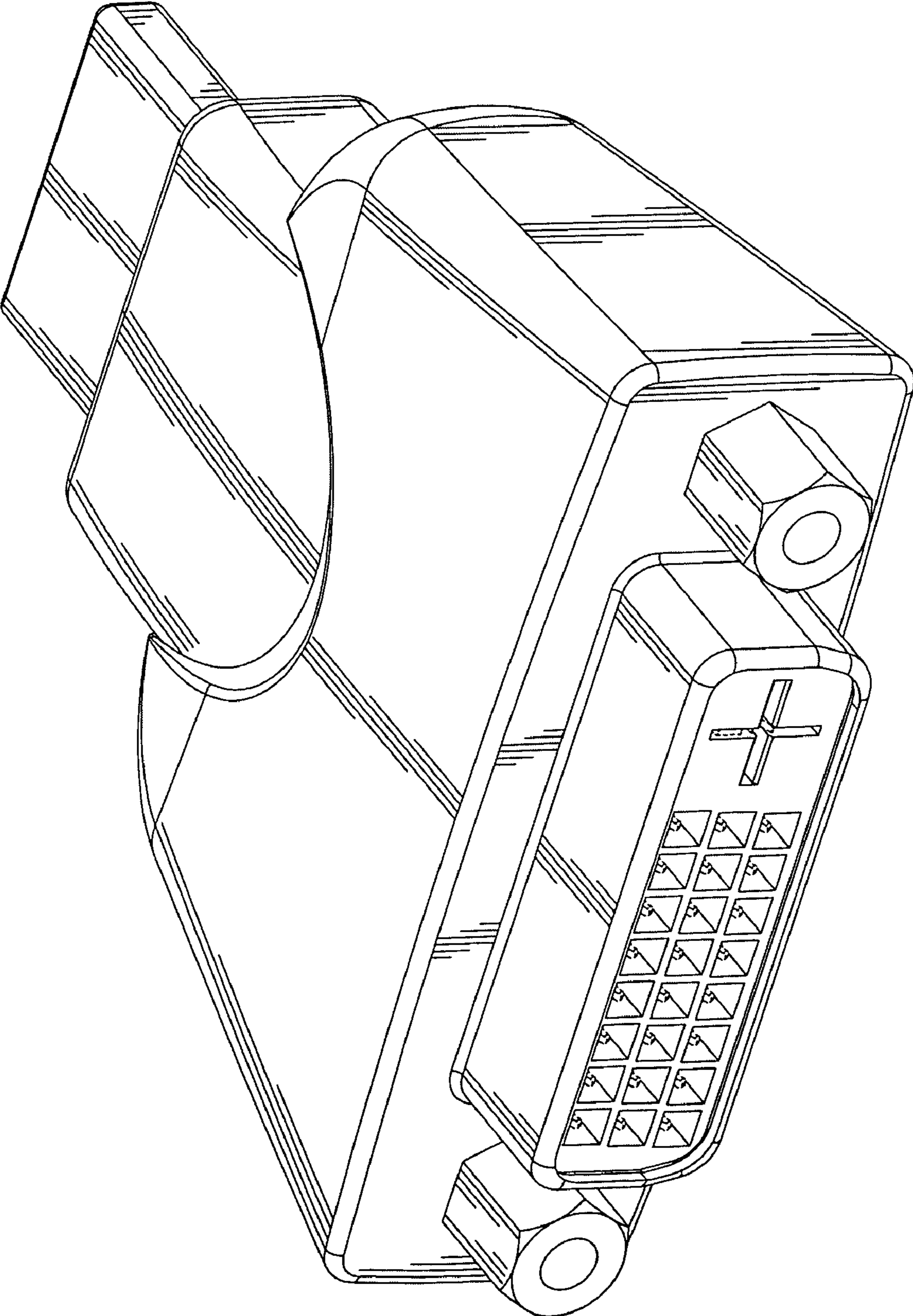


FIG. 1

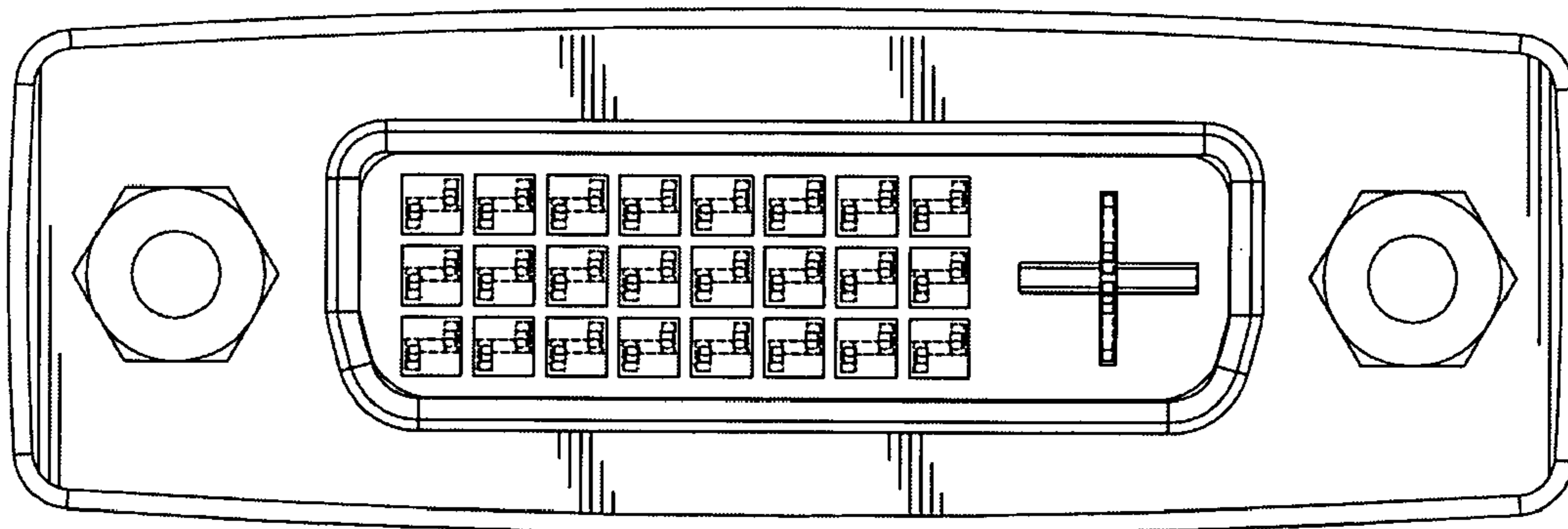


FIG. 2

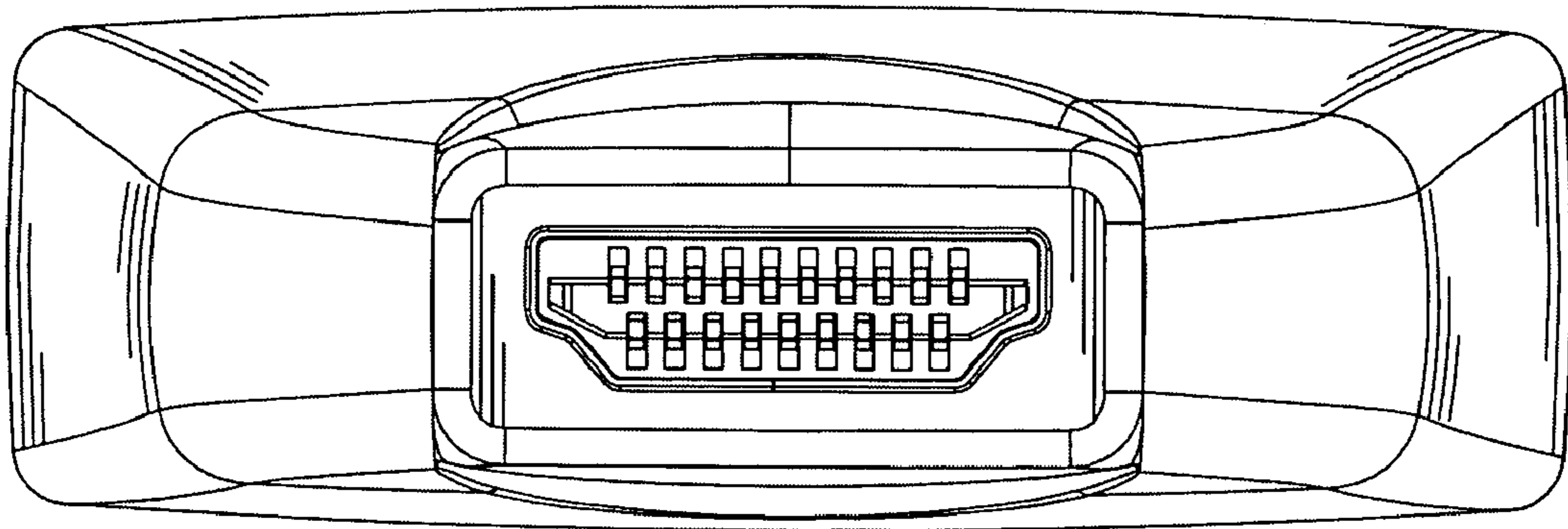


FIG. 3

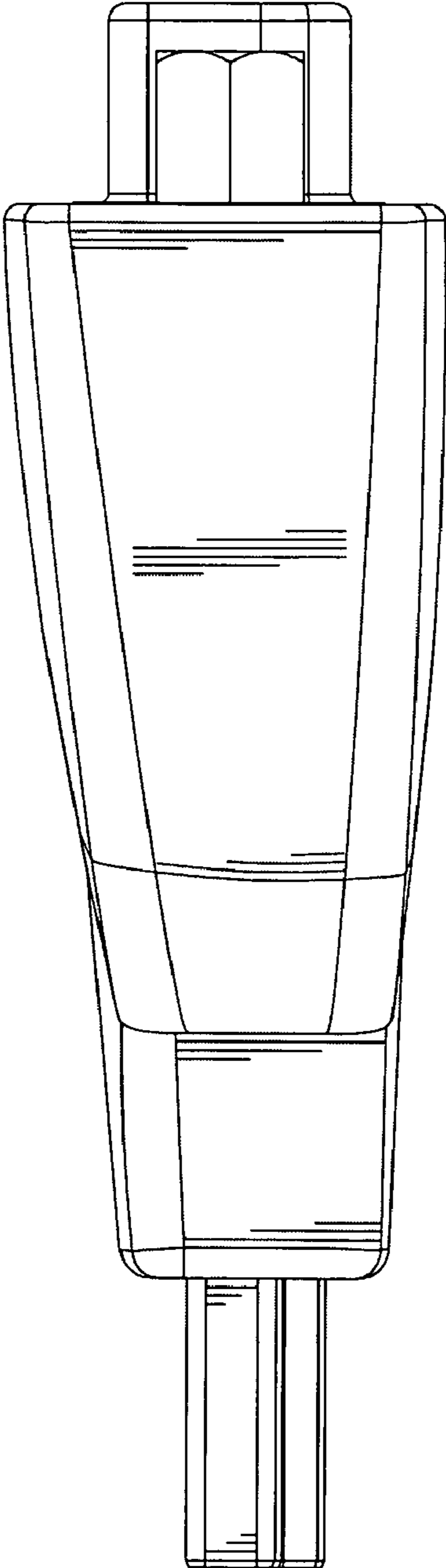


FIG. 4

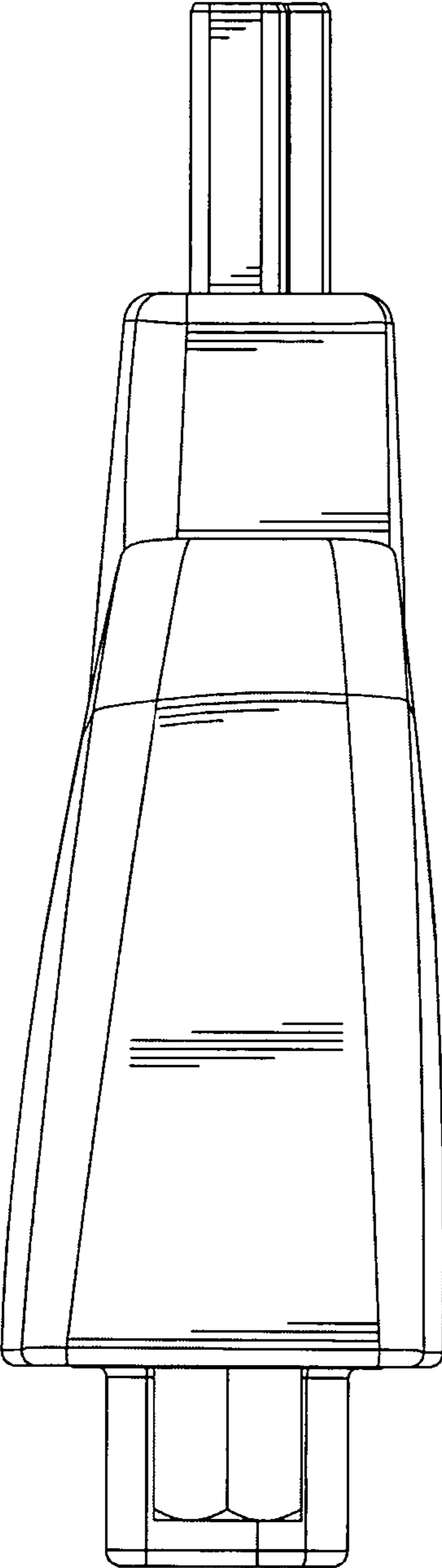


FIG. 5

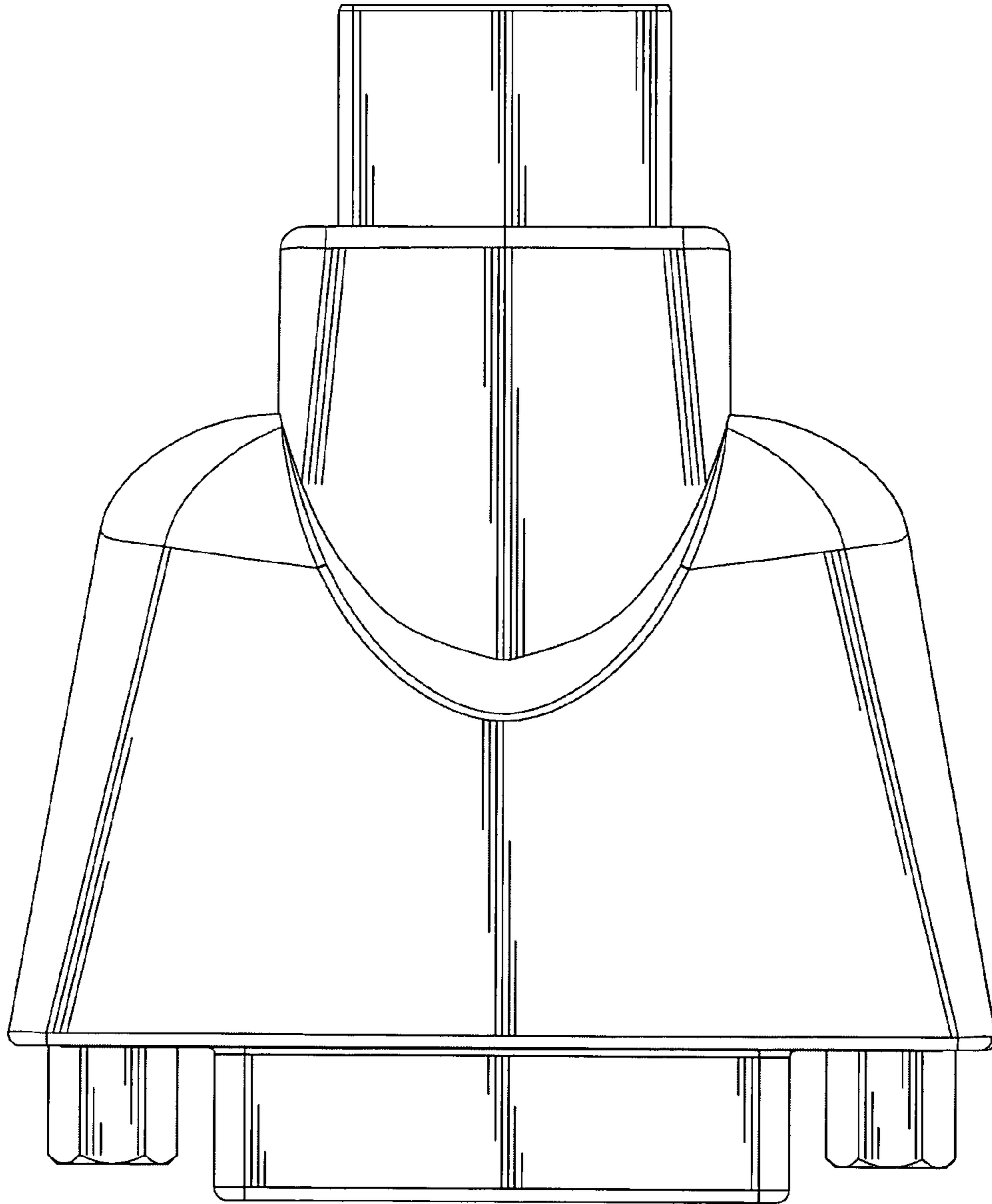


FIG. 6

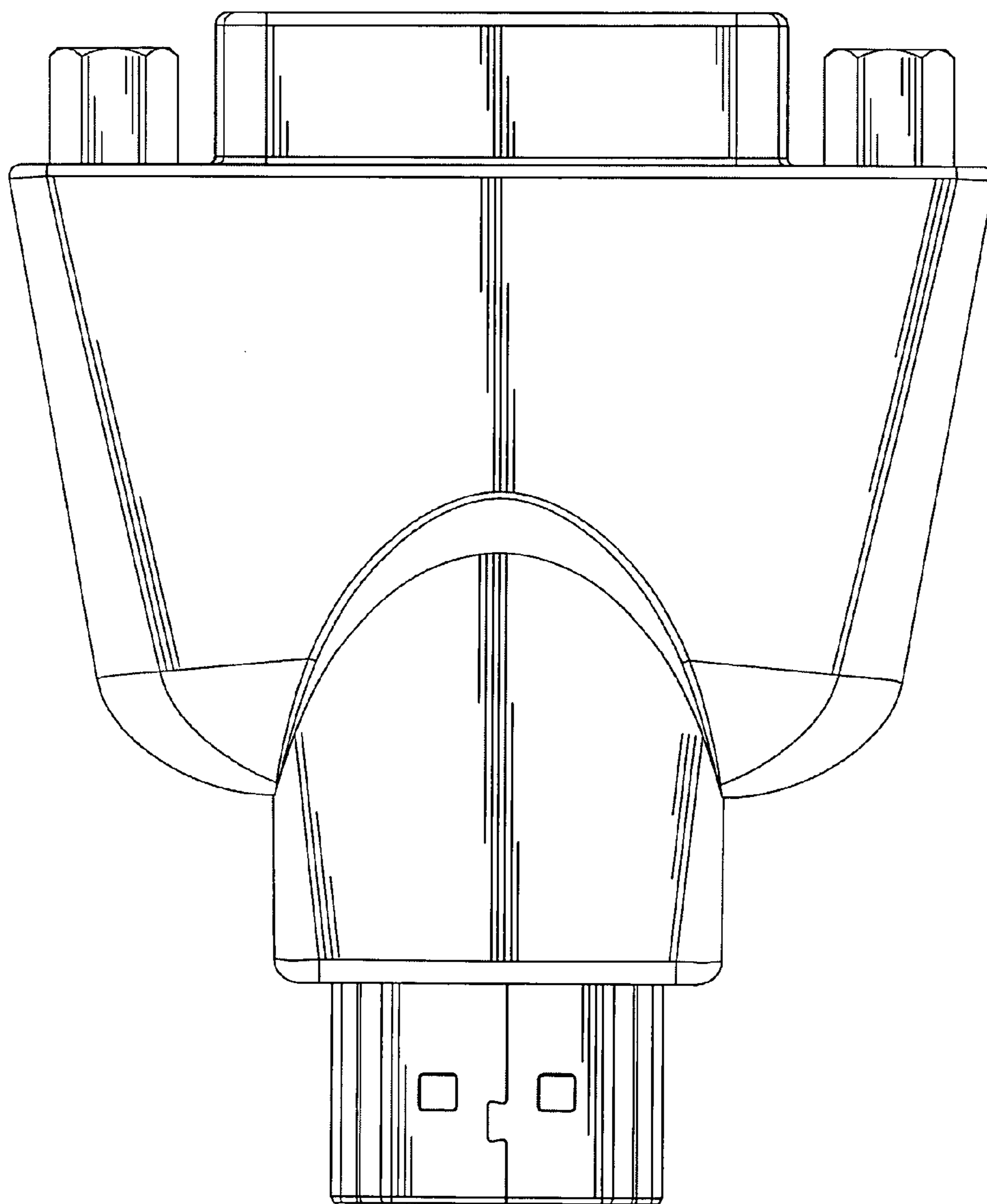


FIG. 7

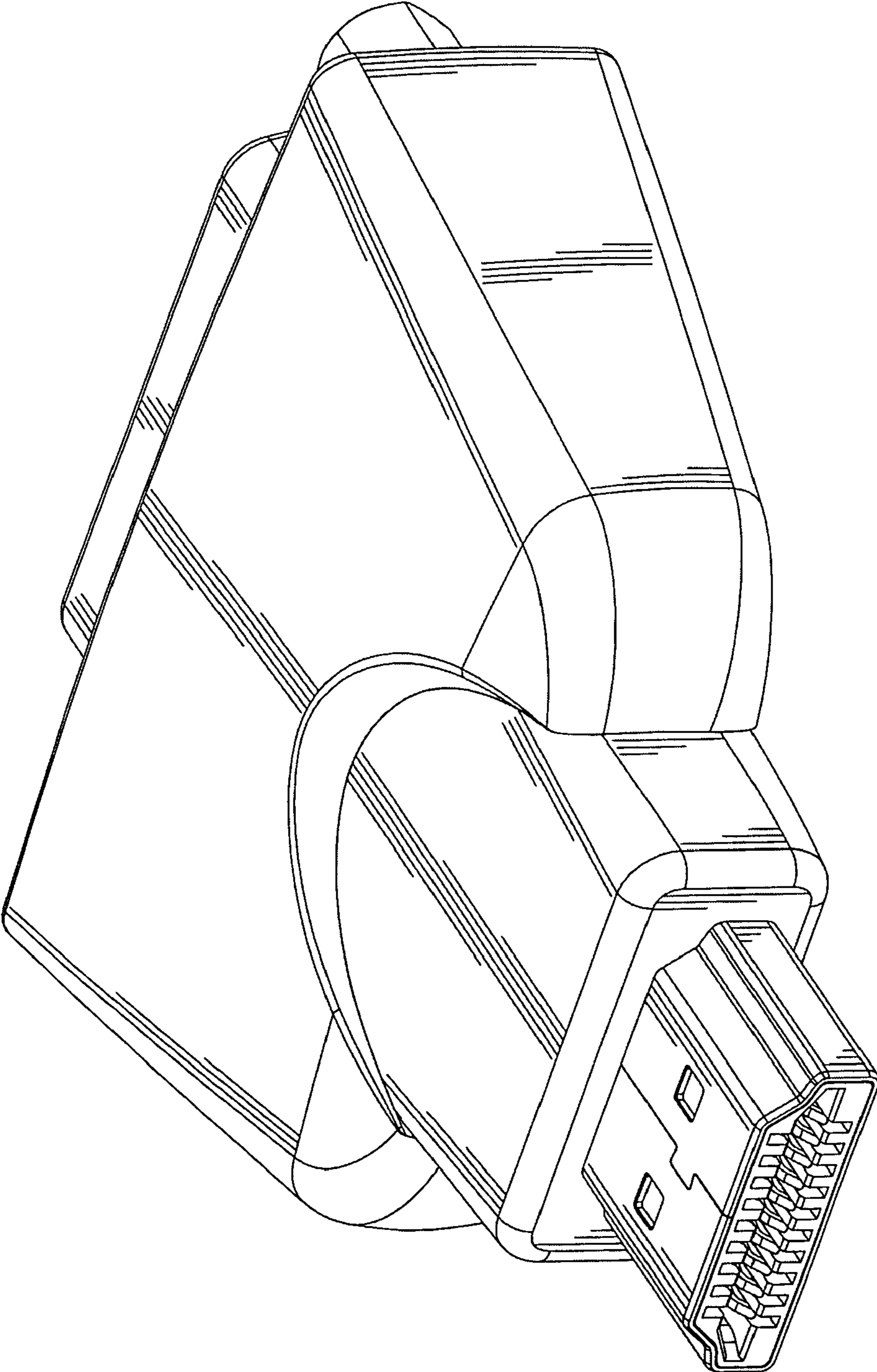


FIG. 8