



US00D603338S

(12) **United States Design Patent**
Wang et al.

(10) **Patent No.:** **US D603,338 S**

(45) **Date of Patent:** **** Nov. 3, 2009**

(54) **ELECTRICAL CONNECTOR**

(75) Inventors: **Hong-Wu Wang**, Kunshan (CN);
Hong-Qiang Han, Kunshan (CN);
Lun-Song Hu, Kunshan (CN); **Zi-Qiang Zhu**, Kunshan (CN)

(73) Assignee: **Hon Hai Precision Ind. Co., Ltd.**,
Taipei Hsien (TW)

(**) Term: **14 Years**

(21) Appl. No.: **29/313,724**

(22) Filed: **Feb. 4, 2009**

(30) **Foreign Application Priority Data**

Aug. 12, 2008 (CN) 2008 3 0182284

(51) **LOC (9) Cl.** **13-03**

(52) **U.S. Cl.** **D13/147**

(58) **Field of Classification Search** D13/133,
D13/146-147, 154, 184, 199; 439/79, 108,
439/607-610, 660, 668, 680, 892, 894
See application file for complete search history.

(56) **References Cited**

U.S. PATENT DOCUMENTS

D409,571 S * 5/1999 Sato et al. D13/147
D488,447 S * 4/2004 Kuroki D13/147

D491,145 S * 6/2004 Hu et al. D13/147
D518,790 S * 4/2006 Nishio et al. D13/147
D585,029 S * 1/2009 Ho D13/147
D585,830 S * 2/2009 Shen et al. D13/147

* cited by examiner

Primary Examiner—Daniel D Bui

(74) *Attorney, Agent, or Firm*—Wei Te Chung; Andrew C. Cheng; Ming Chieh Chang

(57) **CLAIM**

The ornamental design for an electrical connector, as shown.

DESCRIPTION

FIG. 1 is a front, top and right side perspective view of an electrical connector showing our new design;

FIG. 2 is a front elevational view thereof;

FIG. 3 is a rear elevational view thereof;

FIG. 4 is a left side elevational view thereof;

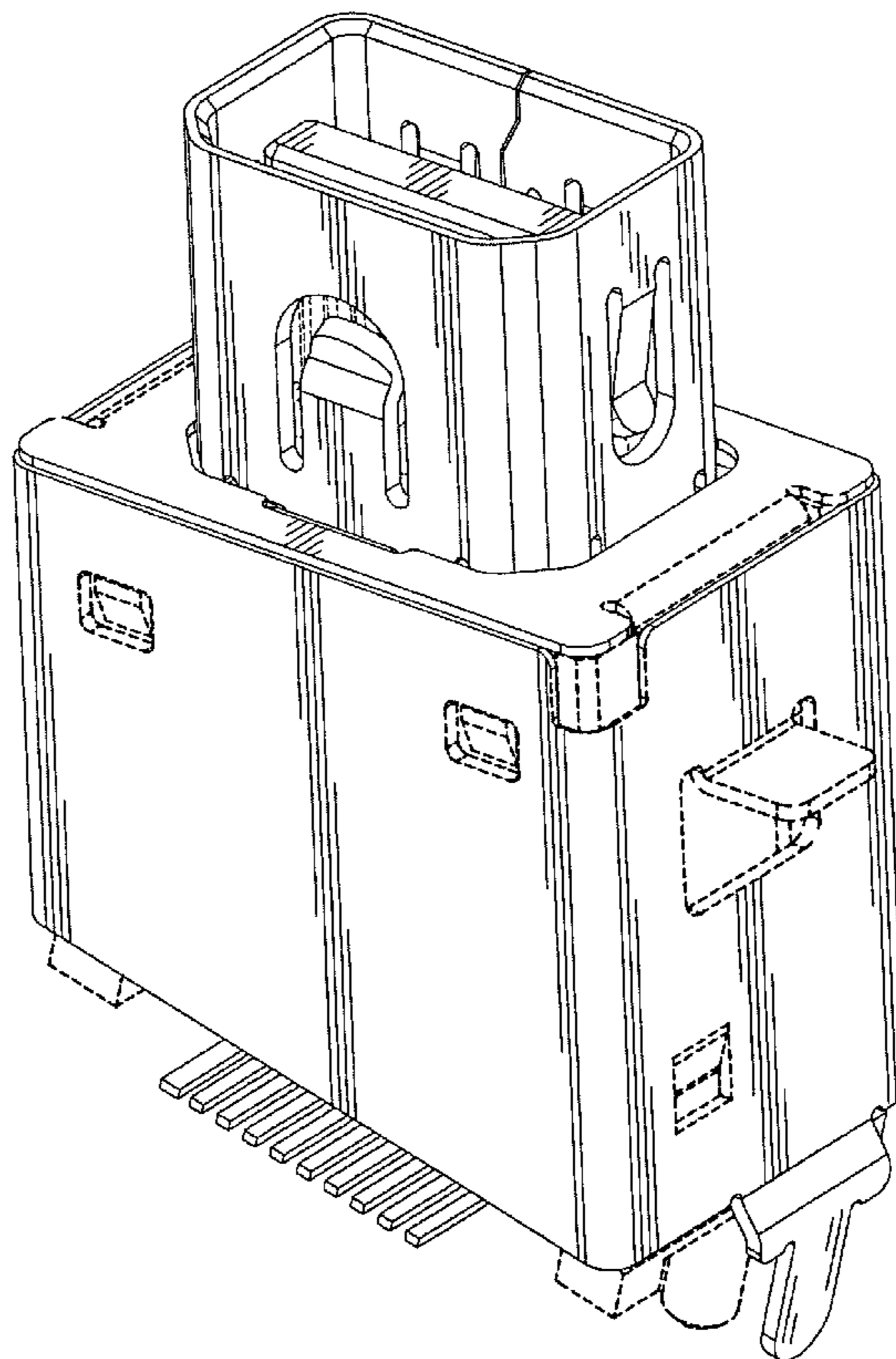
FIG. 5 is a right side elevational view thereof;

FIG. 6 is a top plan view thereof; and,

FIG. 7 is a bottom plan view thereof.

The broken line portion of the figure drawings is included to show unclaimed subject matter only and forms no part of the claimed design.

1 Claim, 7 Drawing Sheets



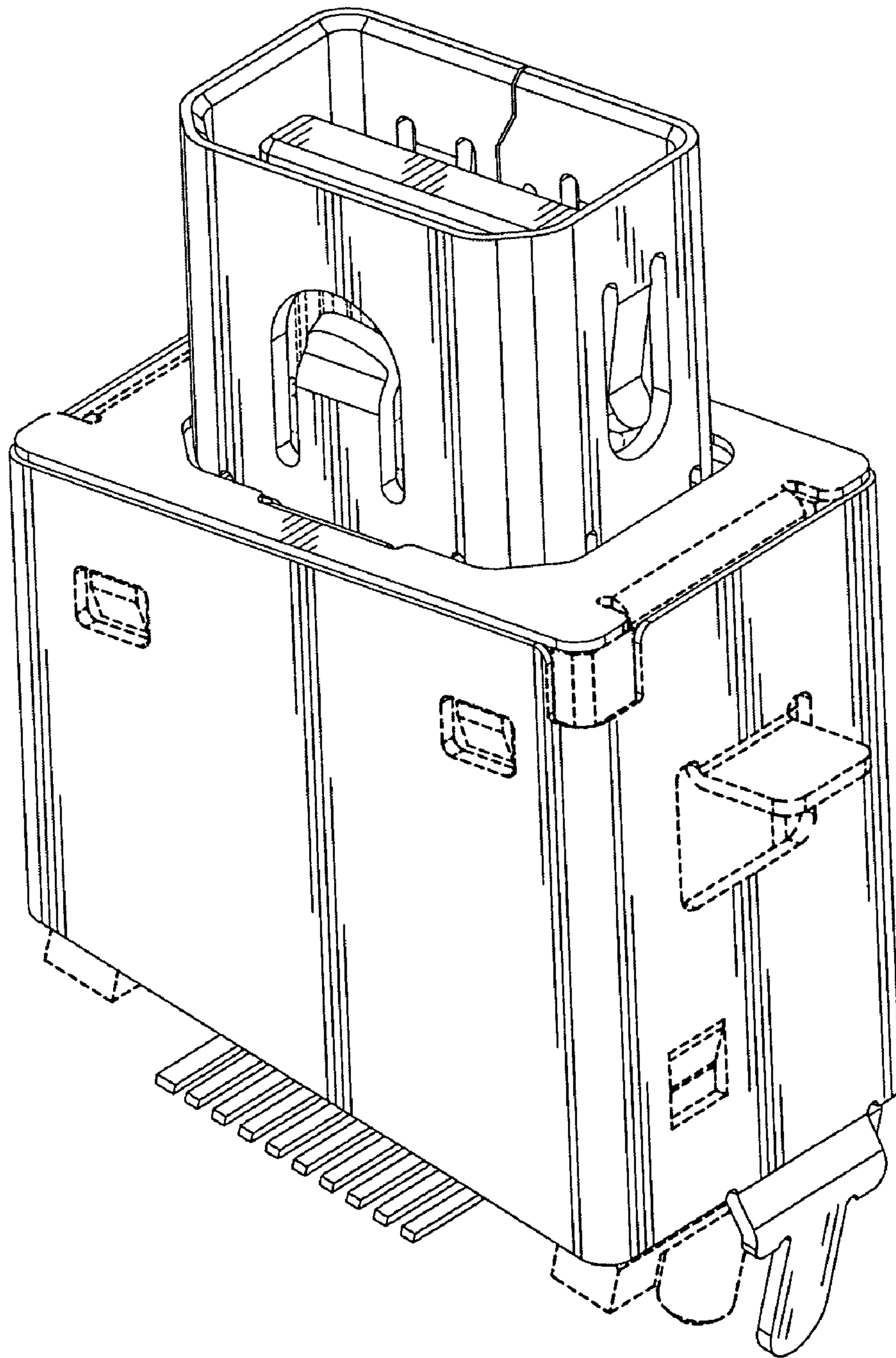


FIG. 1

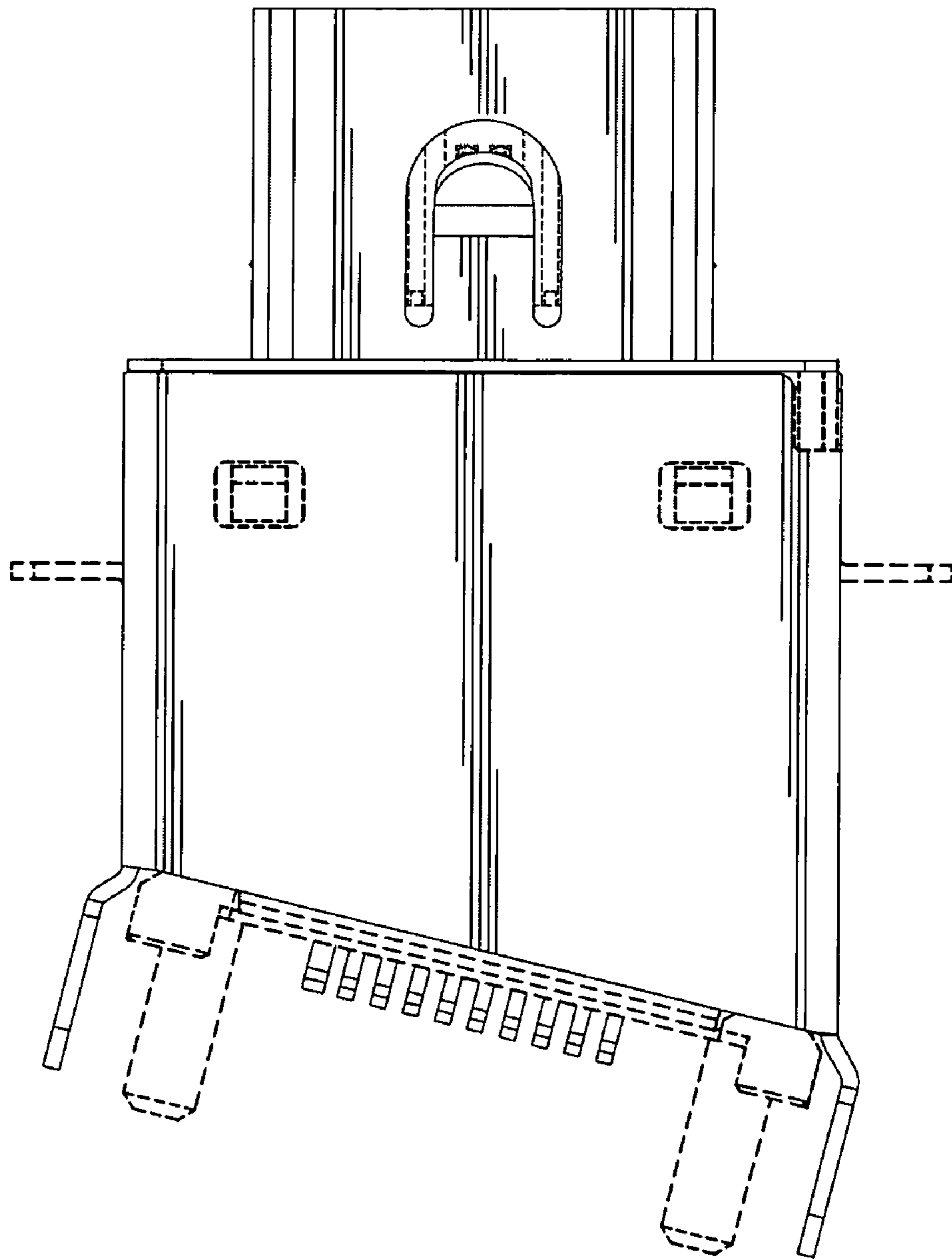


FIG. 2

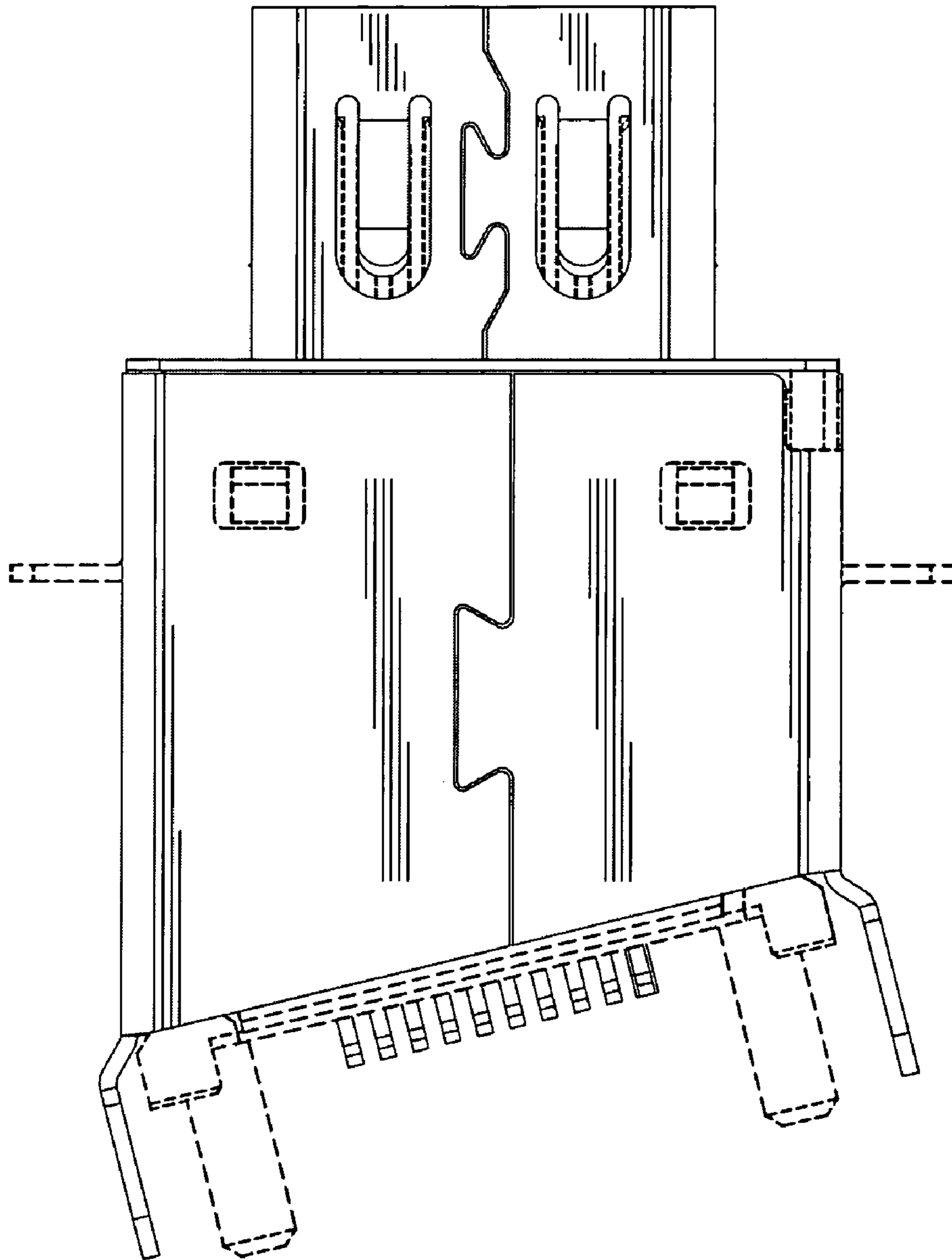


FIG. 3

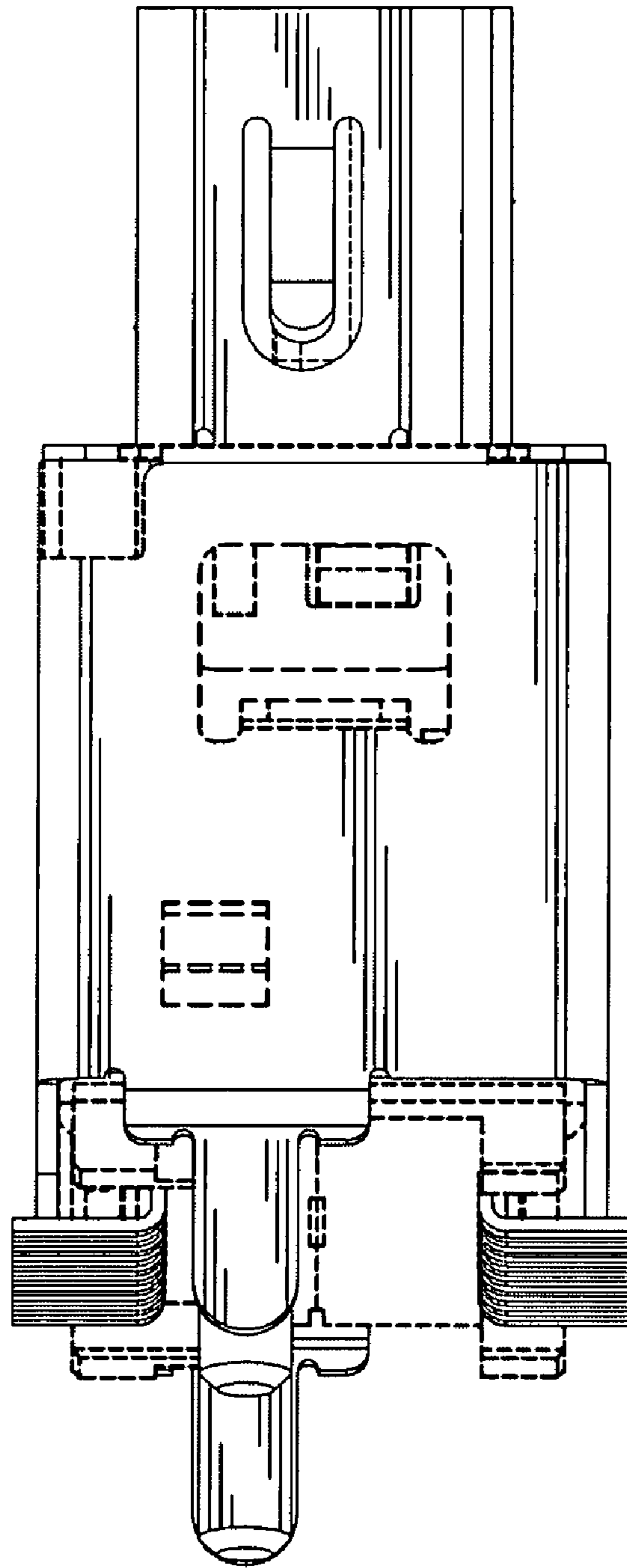


FIG. 4

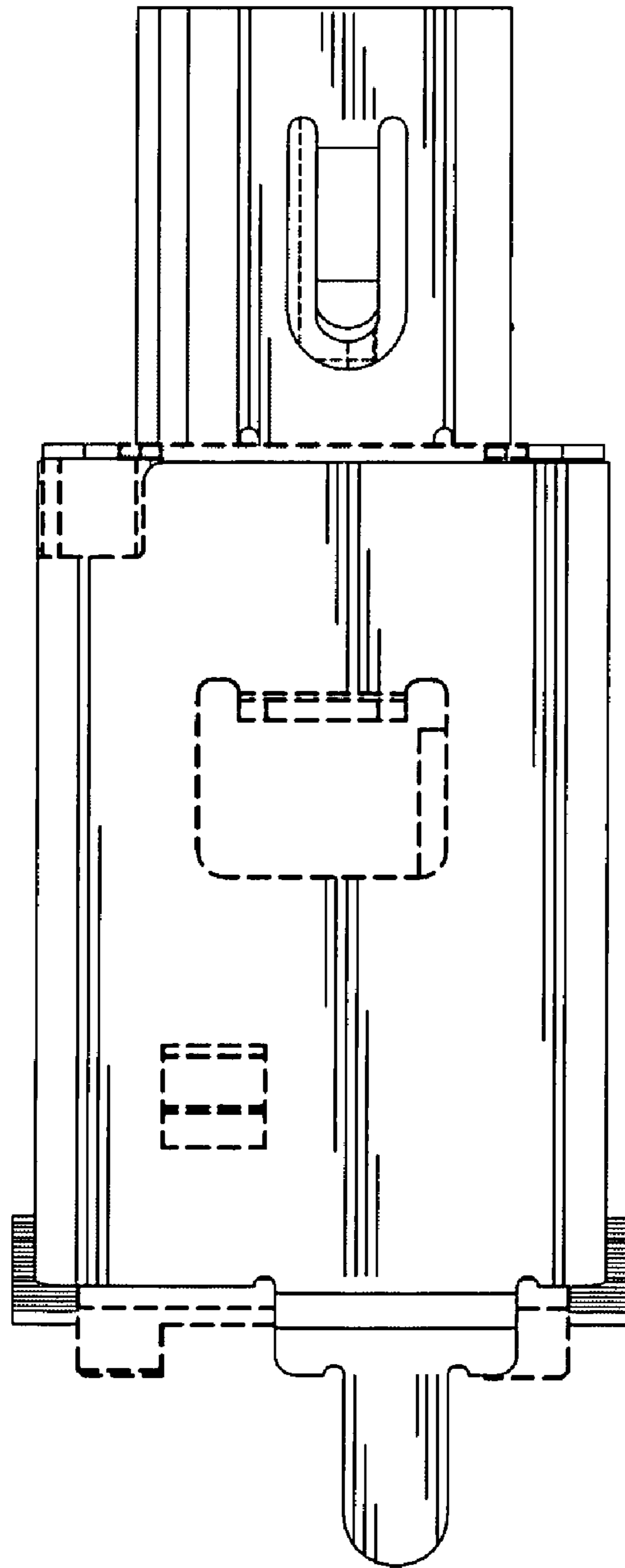


FIG. 5

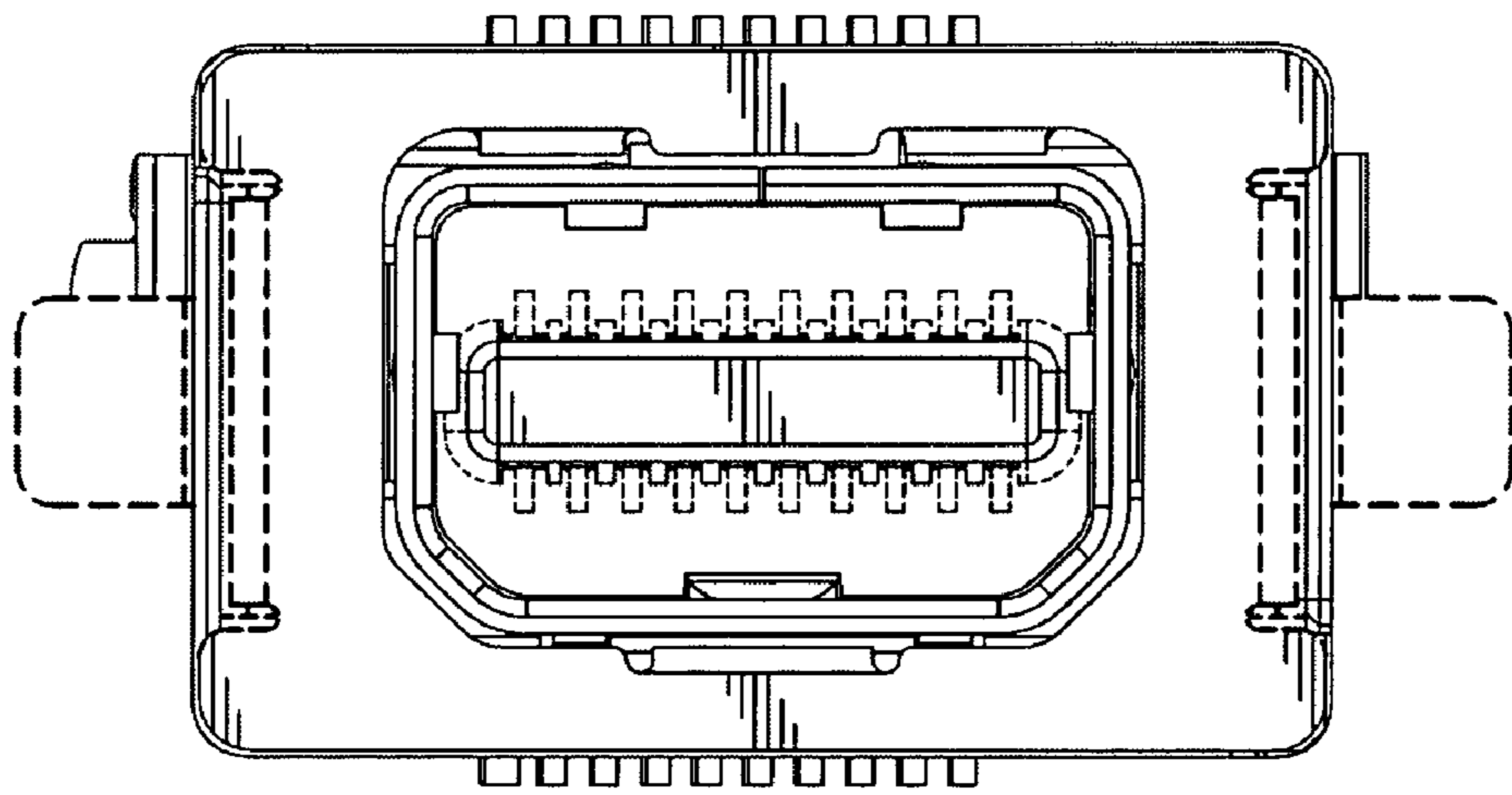


FIG. 6

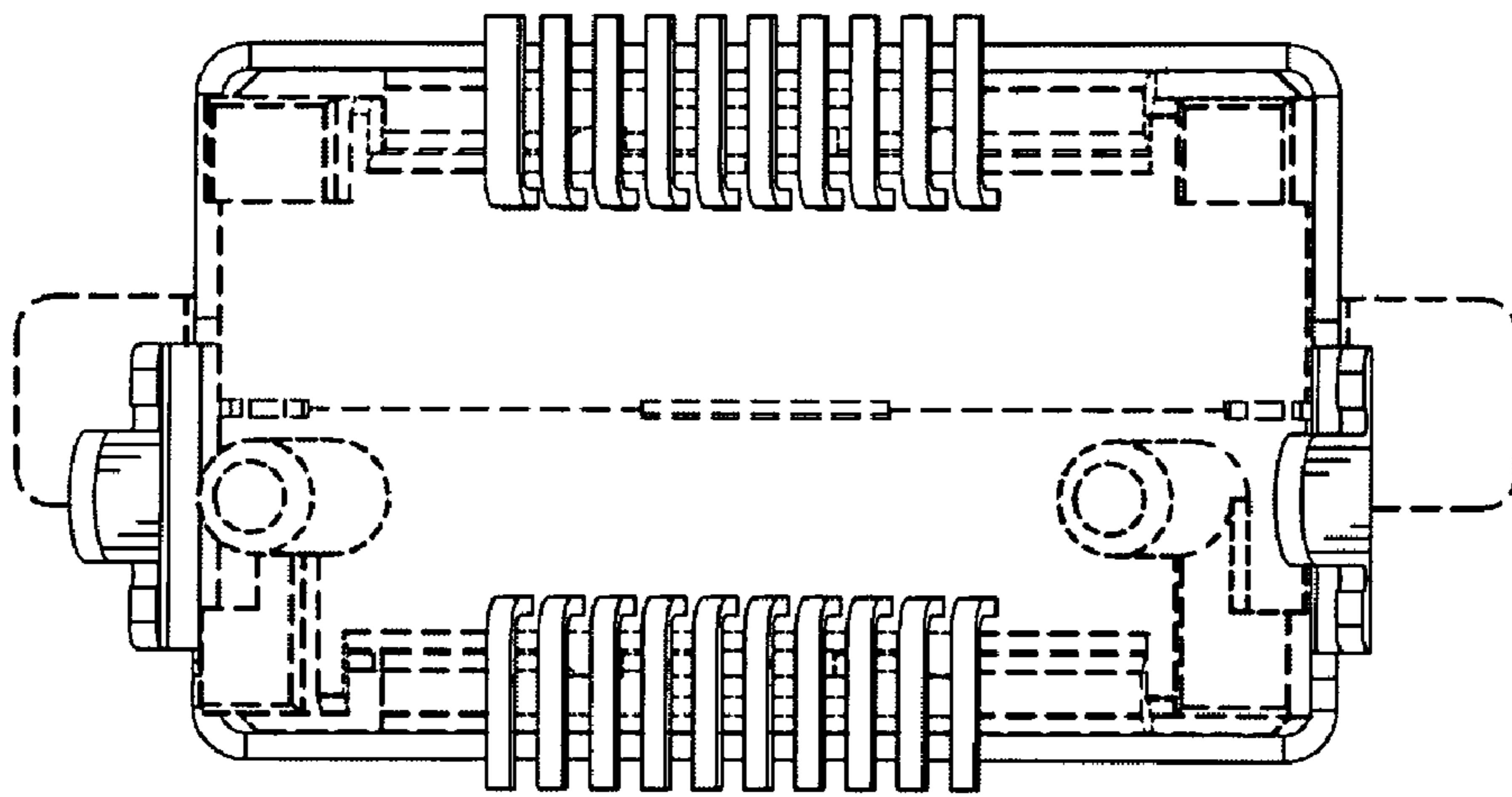


FIG. 7