



US00D603337S

(12) **United States Design Patent**
Katou et al.

(10) **Patent No.:** **US D603,337 S**
(45) **Date of Patent:** **** Nov. 3, 2009**

(54) **BATTERY CONNECTOR FOR AUTOMOBILE**

(75) Inventors: **Hajime Katou**, Shizuoka-ken (JP);
Tetsuhiro Ishikawa, Aichi-ken (JP);
Takahide Iida, Aichi-ken (JP)

(73) Assignees: **Yazaki Corporation**, Tokyo (JP);
Toyota Jidosha Kabushiki Kaisha,
Aichi-ken (JP)

(**) Term: **14 Years**

(21) Appl. No.: **29/317,033**

(22) Filed: **Apr. 22, 2008**

(30) **Foreign Application Priority Data**

Oct. 22, 2007 (JP) 2007-028904

(51) **LOC (9) Cl.** **13-03**

(52) **U.S. Cl.** **D13/120; D13/133**

(58) **Field of Classification Search** D13/103-106,
D13/118-121, 133, 146-147, 184, 199; 439/83,
439/108, 166, 500, 577, 640, 660, 680, 700,
439/773.1, 862; 429/96, 100, 163, 176
See application file for complete search history.

(56) **References Cited**

U.S. PATENT DOCUMENTS

D312,614 S * 12/1990 Amachi et al. D13/133
D468,691 S * 1/2003 Detter et al. D13/133

D533,502 S * 12/2006 Wakefield et al. D13/133
D559,785 S * 1/2008 Tosetti D13/147
D577,333 S * 9/2008 Daniel et al. D13/103
D587,202 S * 2/2009 Dobler D13/133
D594,415 S * 6/2009 Shitakata D13/133

* cited by examiner

Primary Examiner—Jennifer Rivard
Assistant Examiner—Rosemary K Tarcza
(74) *Attorney, Agent, or Firm*—Sughrue Mion, PLLC

(57) **CLAIM**

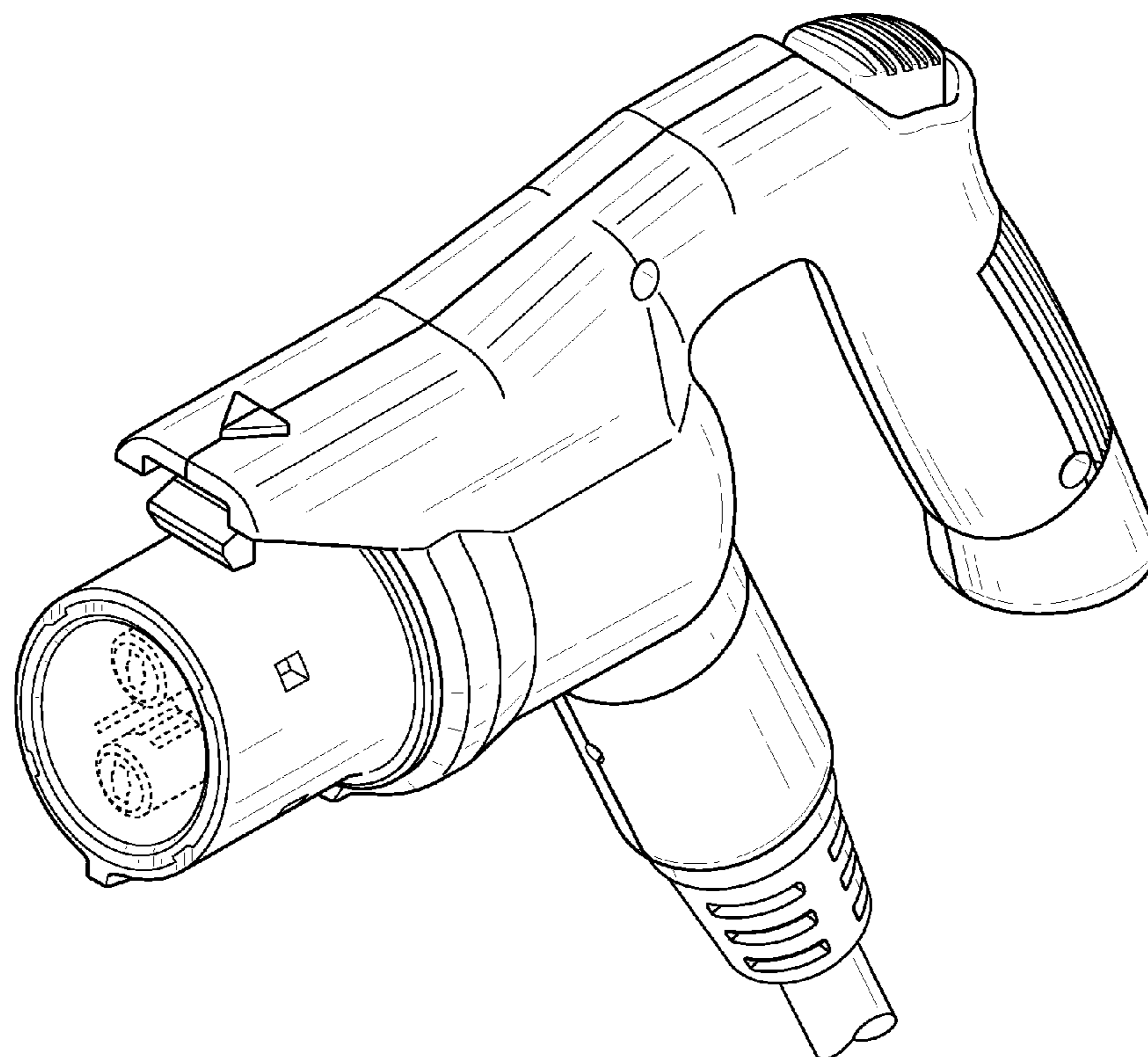
The ornamental design for a battery connector for automobile, as shown and described.

DESCRIPTION

FIG. 1 is a perspective view of the battery connector for automobile of the present invention;
FIG. 2 is a front view thereof;
FIG. 3 is a rear view thereof;
FIG. 4 is a first side view thereof;
FIG. 5 is a second side view thereof;
FIG. 6 is a top side thereof; and,
FIG. 7 is a bottom side thereof.

The broken lines shown in the drawings are included for the purpose of illustrating environmental structure and form no part of the claimed design.

1 Claim, 5 Drawing Sheets



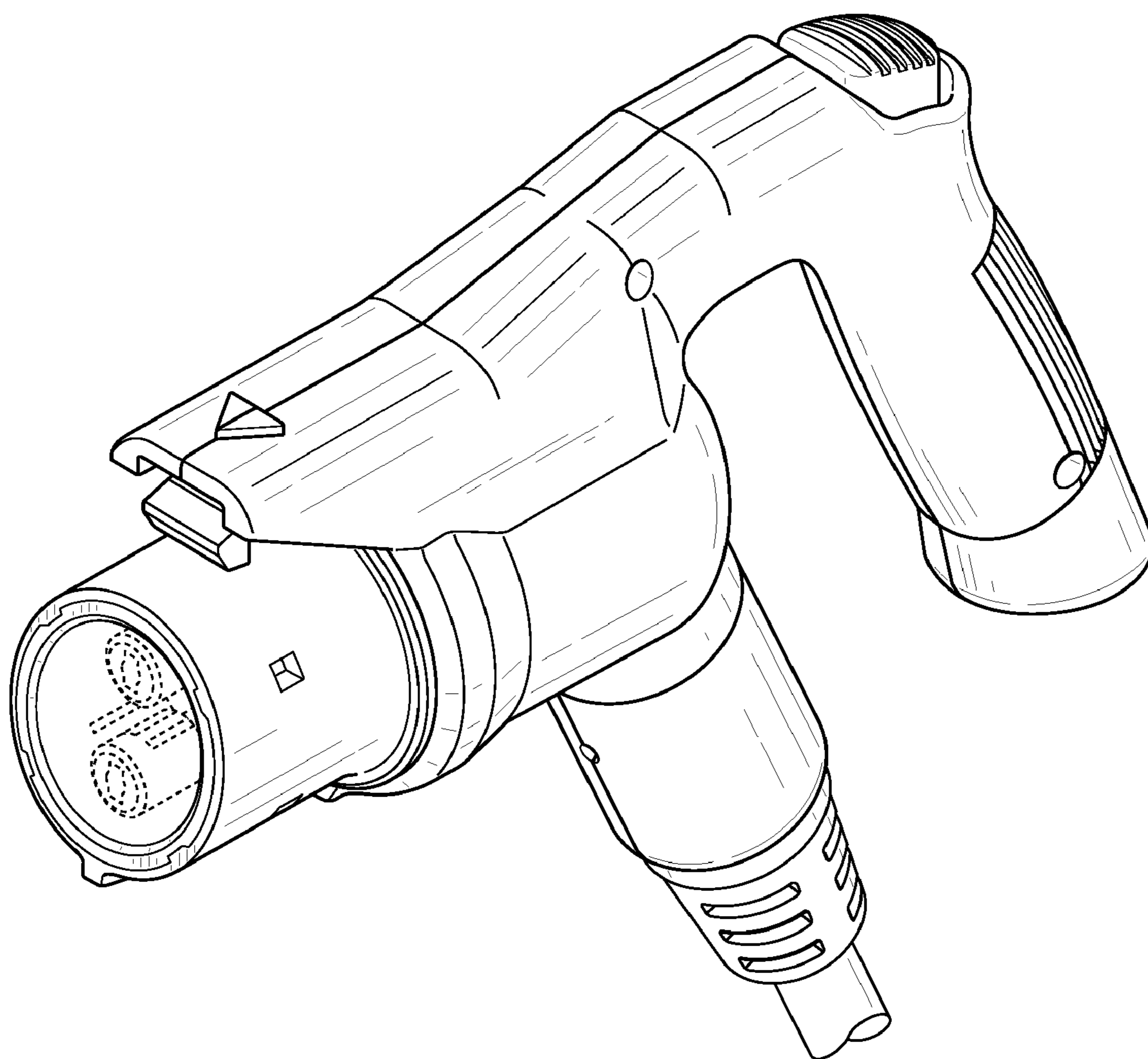


FIG. 1

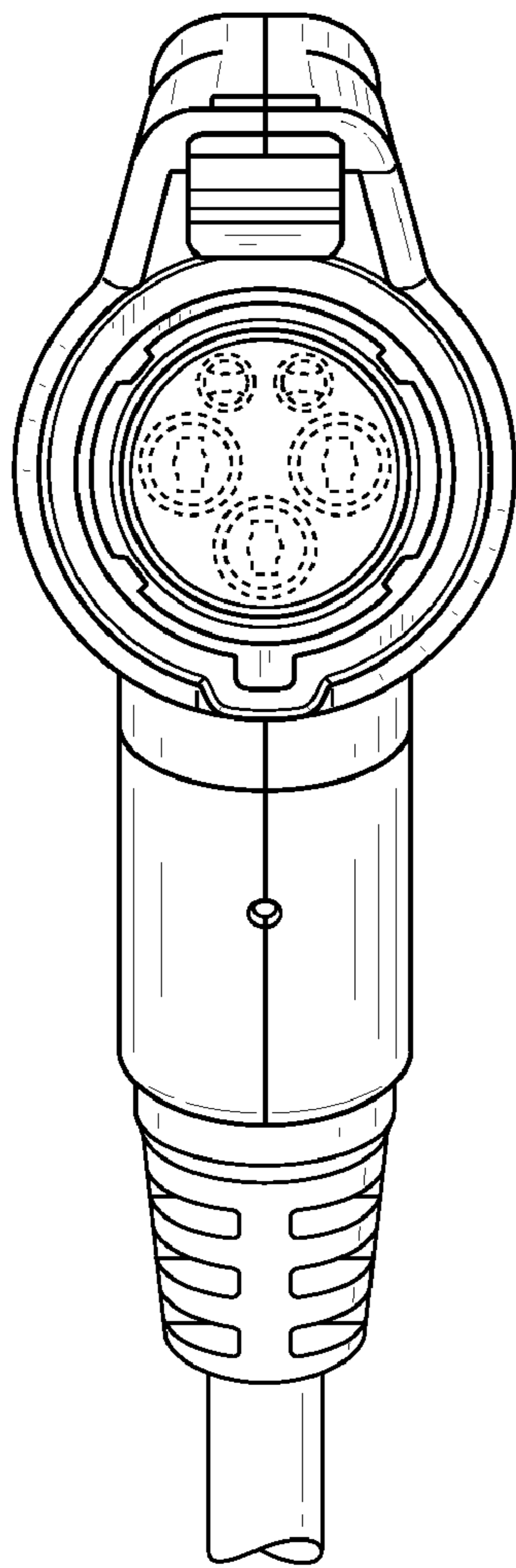


FIG. 2

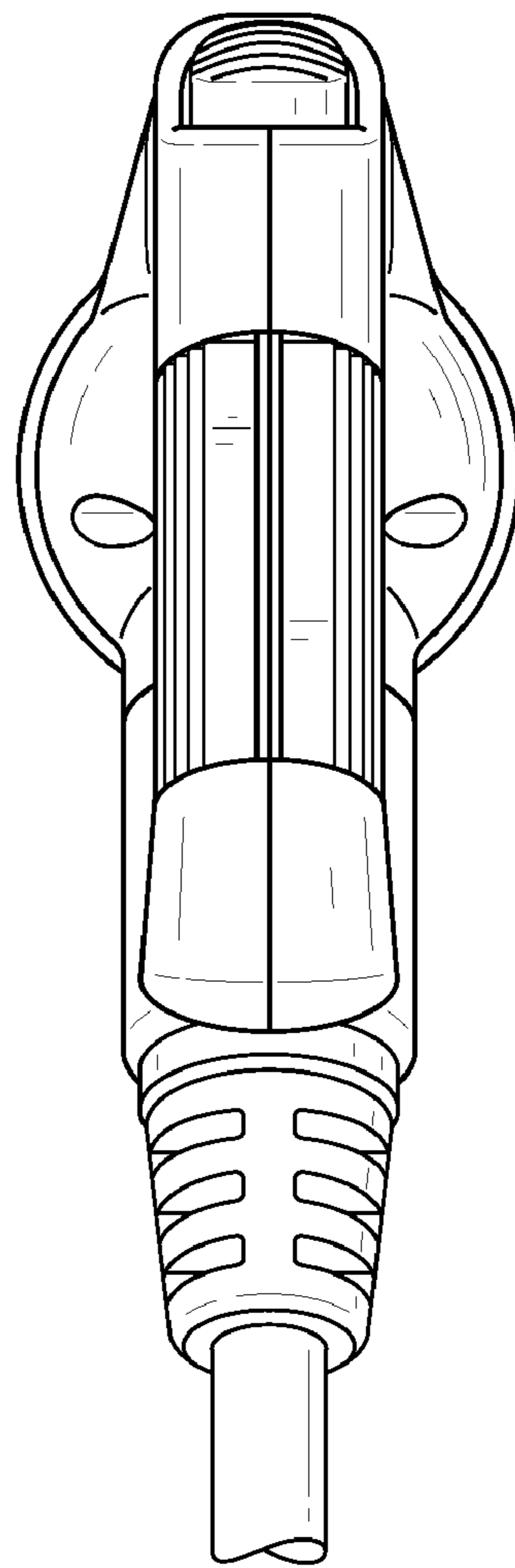


FIG. 3

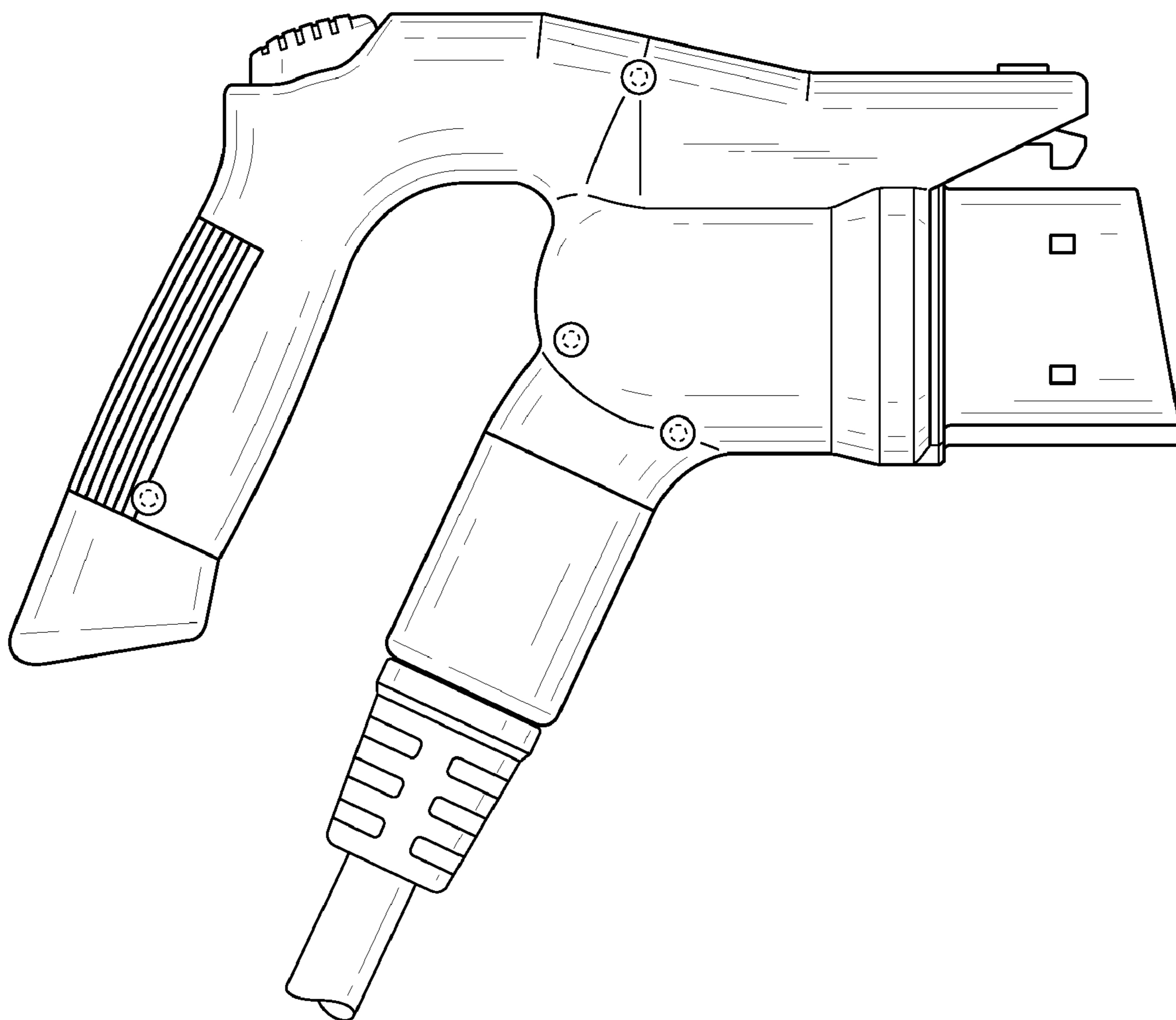


FIG. 4

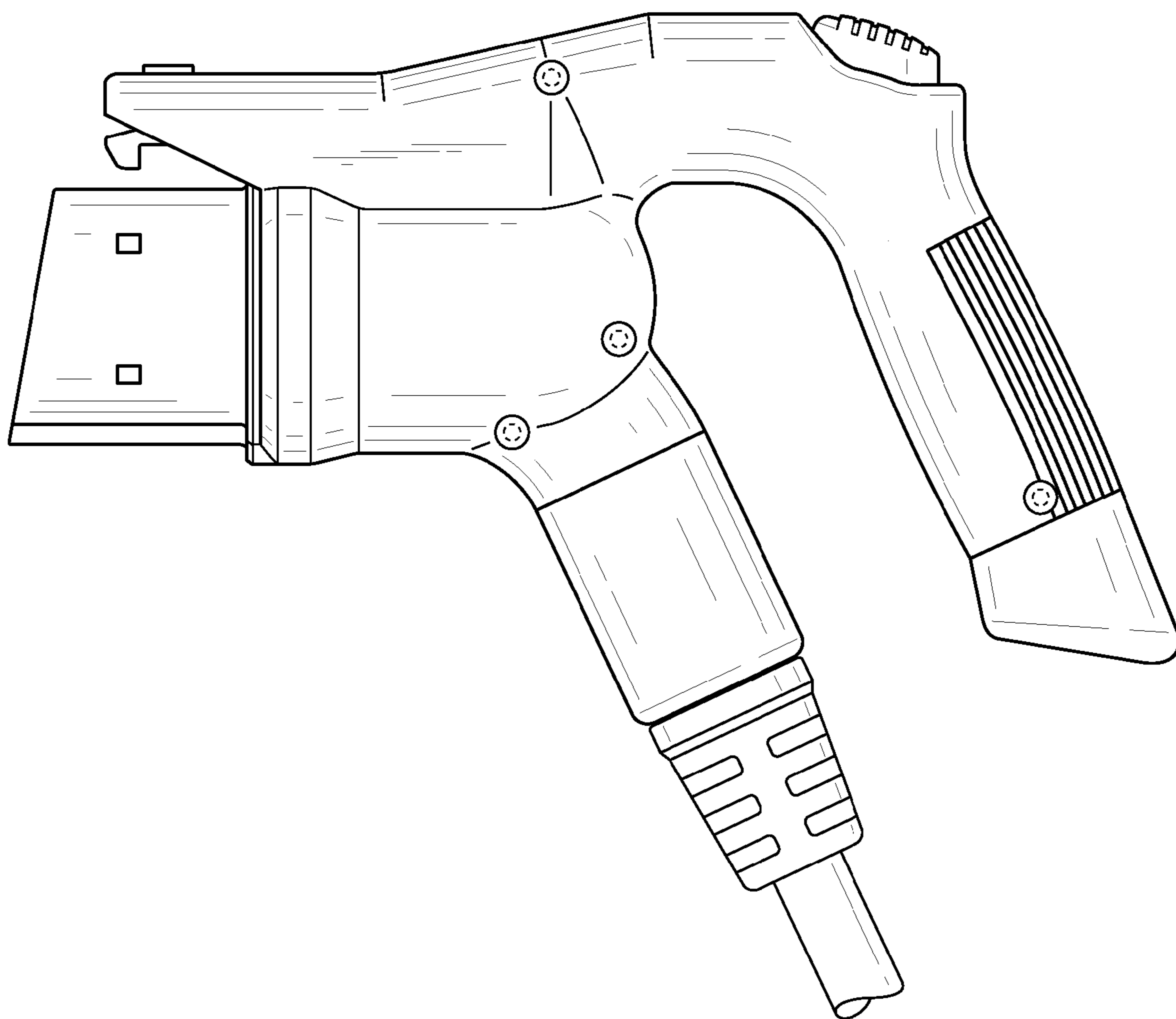


FIG. 5

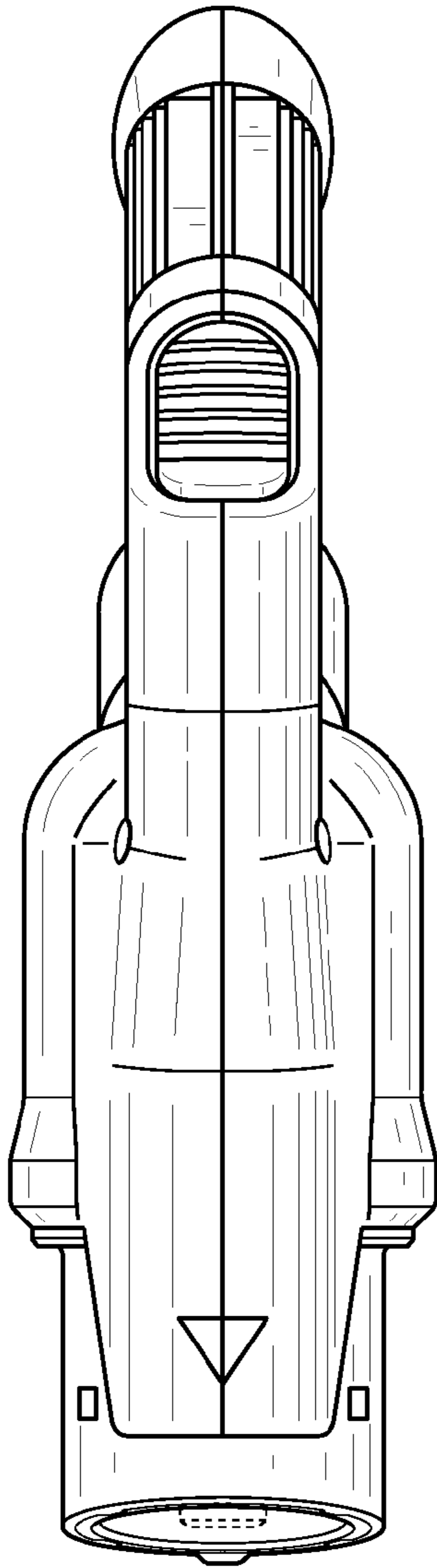


FIG. 6

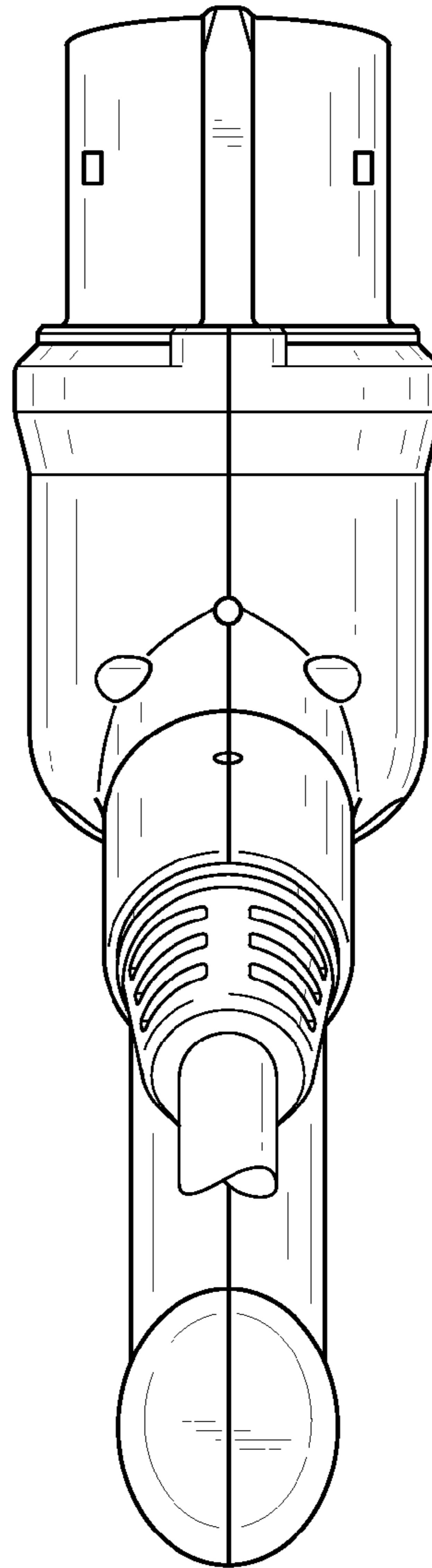


FIG. 7