



US00D603332S

(12) **United States Design Patent**  
**Heine et al.**

(10) **Patent No.:** **US D603,332 S**  
(45) **Date of Patent:** **\*\* Nov. 3, 2009**

(54) **BATTERY CHARGING APPARATUS**

(75) Inventors: **Oliver Heine**, Herrsching (DE); **Dirk Schade**, Penzberg (DE); **Stefan Knesewitsch**, Herrsching (DE); **Anton Schneider**, Munich (DE); **Georg Pfaffenbauer**, Herrsching (DE); **Gerhard Guegel**, Diessen (DE)

(73) Assignee: **Heine Optotechnik GmbH & Co. KG**, Herrsching (DE)

(\*\*) Term: **14 Years**

(21) Appl. No.: **29/317,636**

(22) Filed: **May 2, 2008**

(30) **Foreign Application Priority Data**

Nov. 5, 2007 (EM) ..... 000828124

(51) **LOC (9) Cl.** ..... **13-02**

(52) **U.S. Cl.** ..... **D13/107**

(58) **Field of Classification Search** ..... D13/107-110,  
D13/118-119, 184; D14/251, 253, 432,  
D14/434; 320/107-115

See application file for complete search history.

(56) **References Cited**

**U.S. PATENT DOCUMENTS**

D315,330 S \* 3/1991 Soren et al. .... D13/107  
D408,418 S \* 4/1999 Pescetto et al. .... D14/253  
D422,965 S \* 4/2000 Laufer et al. .... D13/108  
D430,846 S \* 9/2000 Kawakita et al. .... D13/107  
D433,996 S \* 11/2000 Ma ..... D13/110  
D434,142 S \* 11/2000 Cheney et al. .... D24/111

D466,476 S \* 12/2002 Stratford ..... D13/108  
D472,896 S \* 4/2003 Peiker ..... D14/253  
D489,321 S \* 5/2004 Krieger et al. .... D13/108  
D526,958 S \* 8/2006 Shimizu ..... D13/108  
D532,744 S \* 11/2006 Aglassinger ..... D13/108  
D564,445 S \* 3/2008 Stratford ..... D13/108  
D573,089 S \* 7/2008 Mandel et al. .... D13/107

\* cited by examiner

*Primary Examiner*—Jennifer Rivard

*Assistant Examiner*—Rosemary K Tarcza

(74) *Attorney, Agent, or Firm*—Rothwell, Figg, Ernst & Manbeck, P.C.

(57) **CLAIM**

The ornamental design for a battery charging apparatus, as shown and described.

**DESCRIPTION**

FIG. 1 is a perspective view of a battery charging apparatus in accordance with the present invention.

FIG. 2 is a front elevational view of the apparatus of FIG. 1.

FIG. 3 is a first side elevational view of the apparatus of FIG. 1.

FIG. 4 is a second side elevational view of the apparatus of FIG. 1.

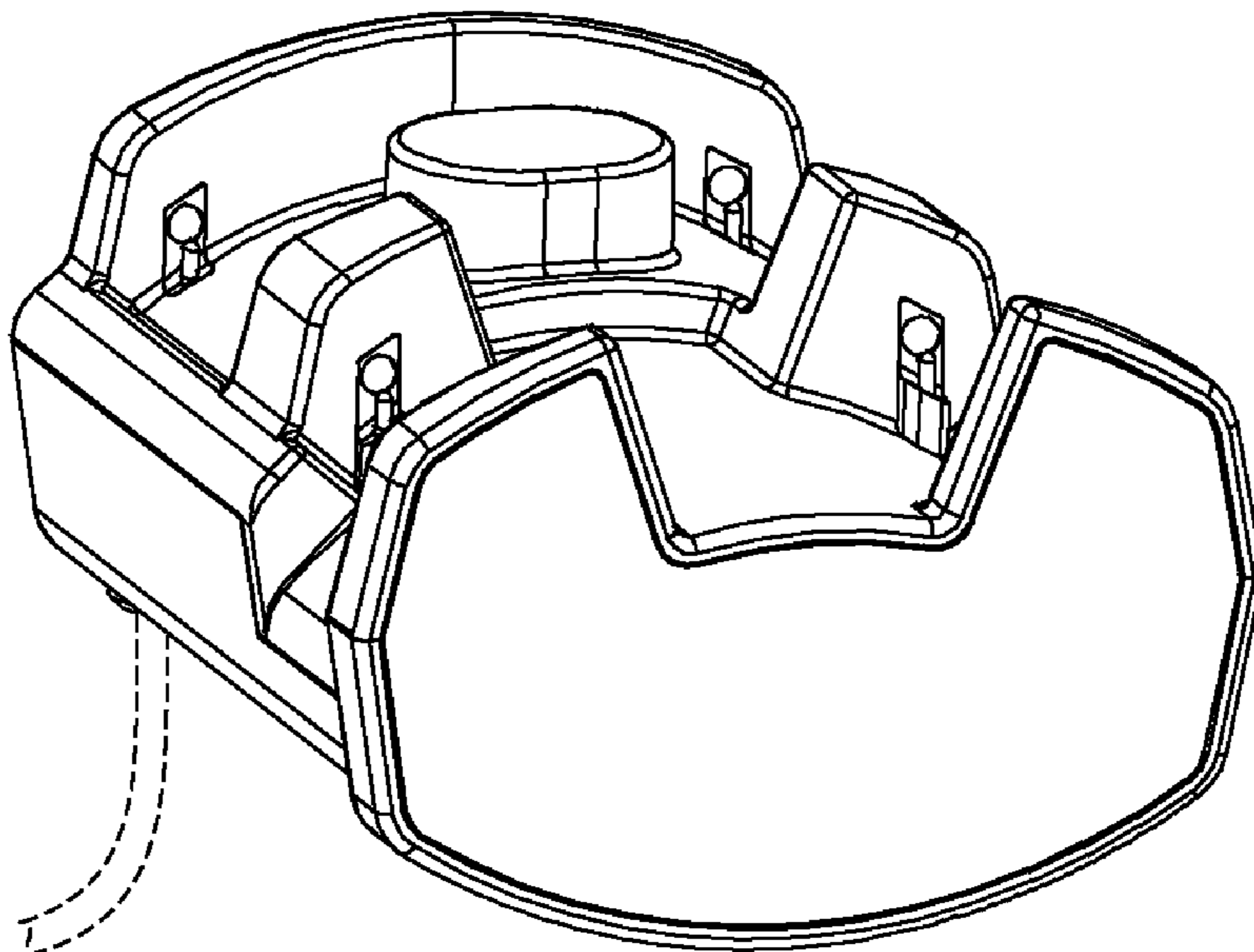
FIG. 5 is a rear elevational view of the apparatus of FIG. 1.

FIG. 6 is a top plan view of the apparatus of FIG. 1; and,

FIG. 7 is a bottom plan view of the apparatus of FIG. 1.

The broken lines showing in FIGS. 1-7 are for the purpose of illustrating a cord of the apparatus and form no part of the claimed design.

**1 Claim, 4 Drawing Sheets**



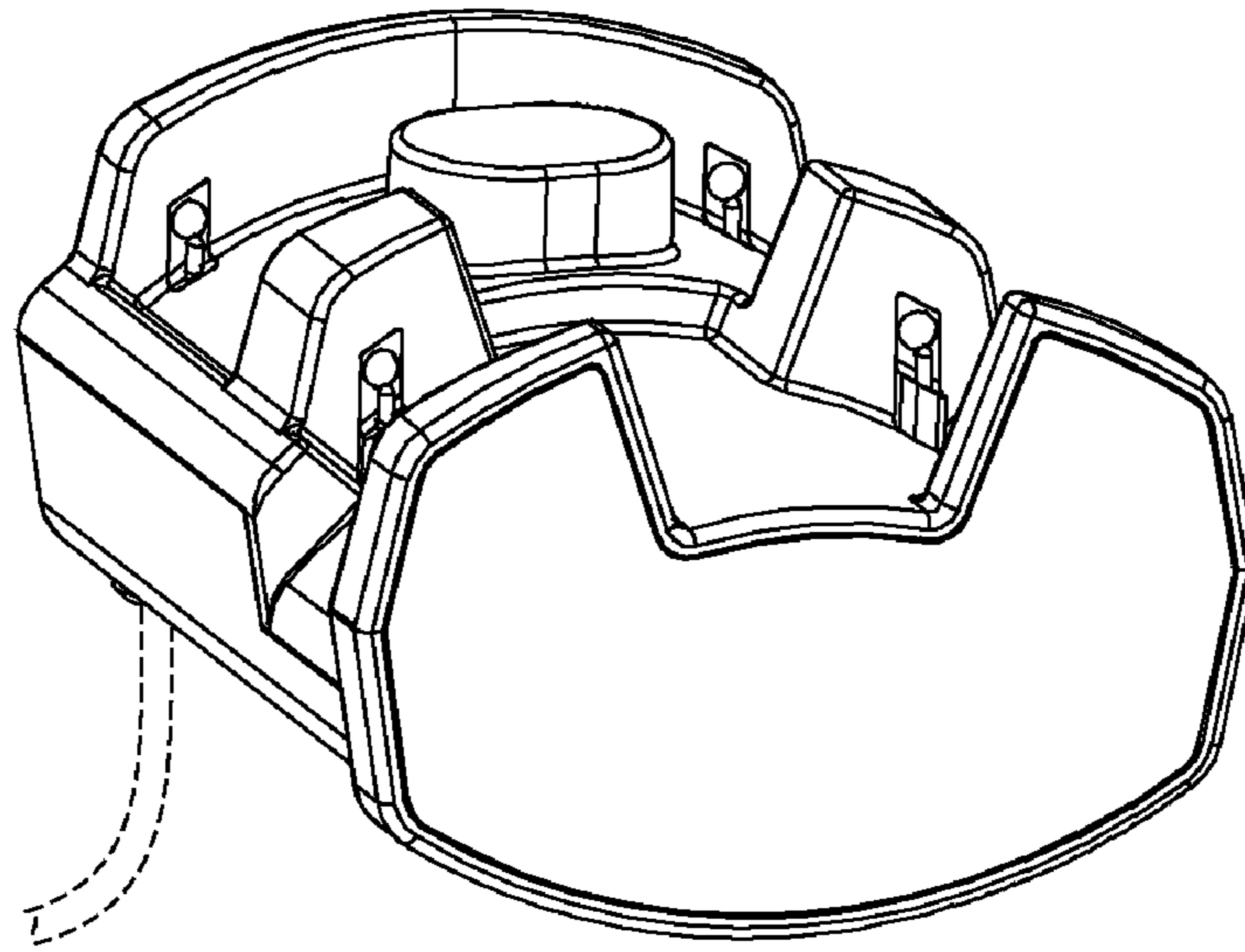


FIG. 1

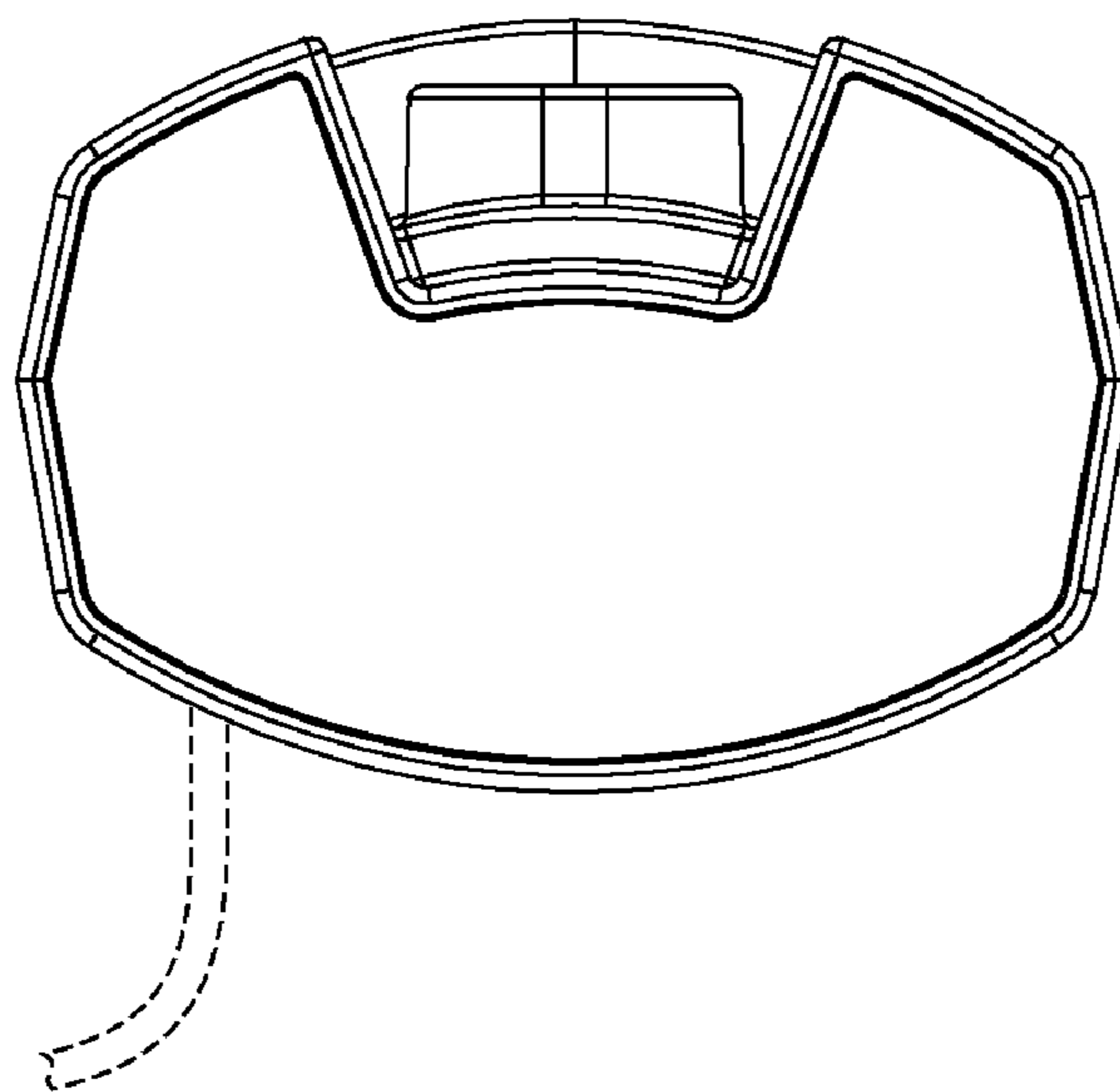


FIG. 2

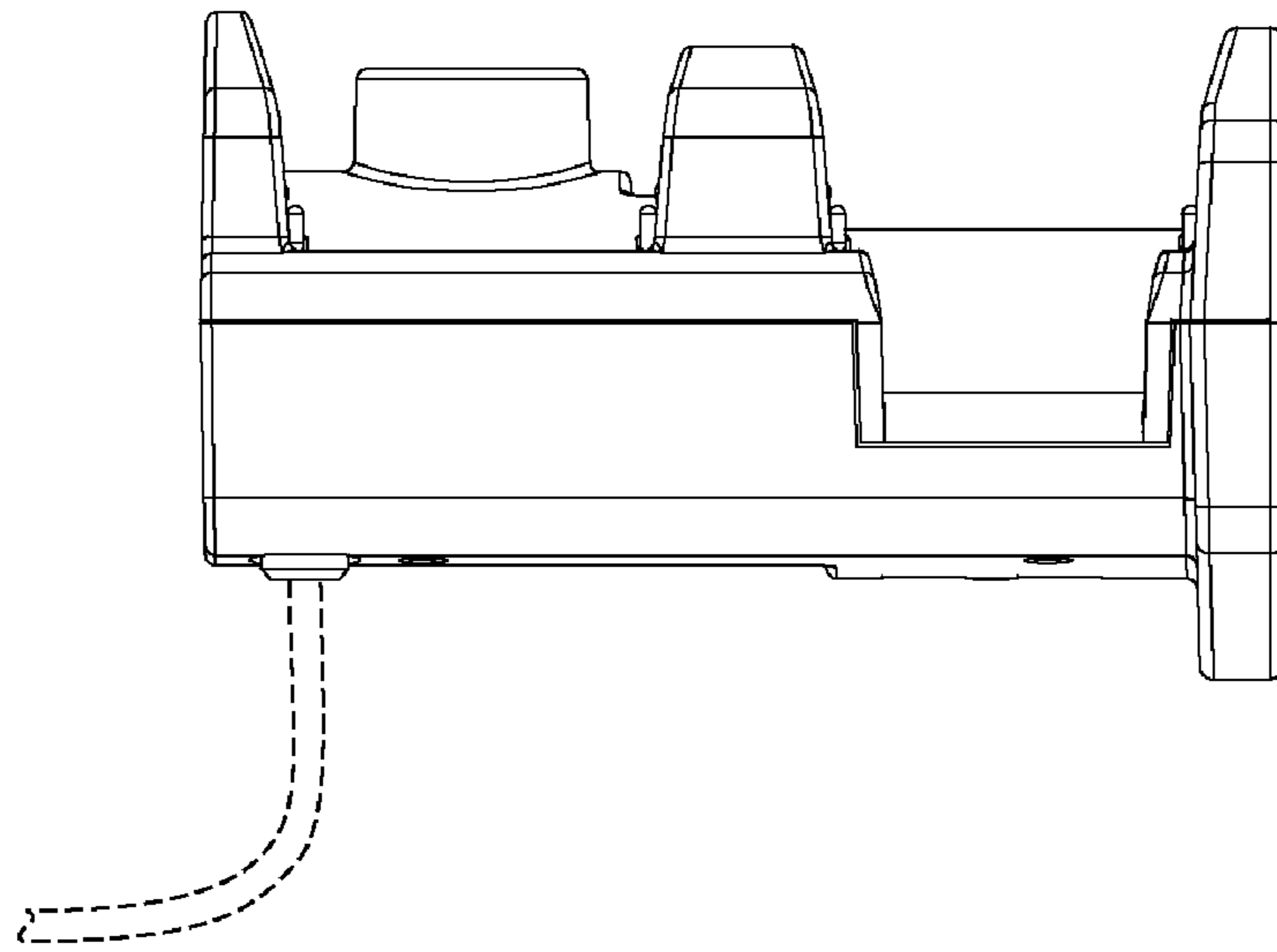


FIG. 3

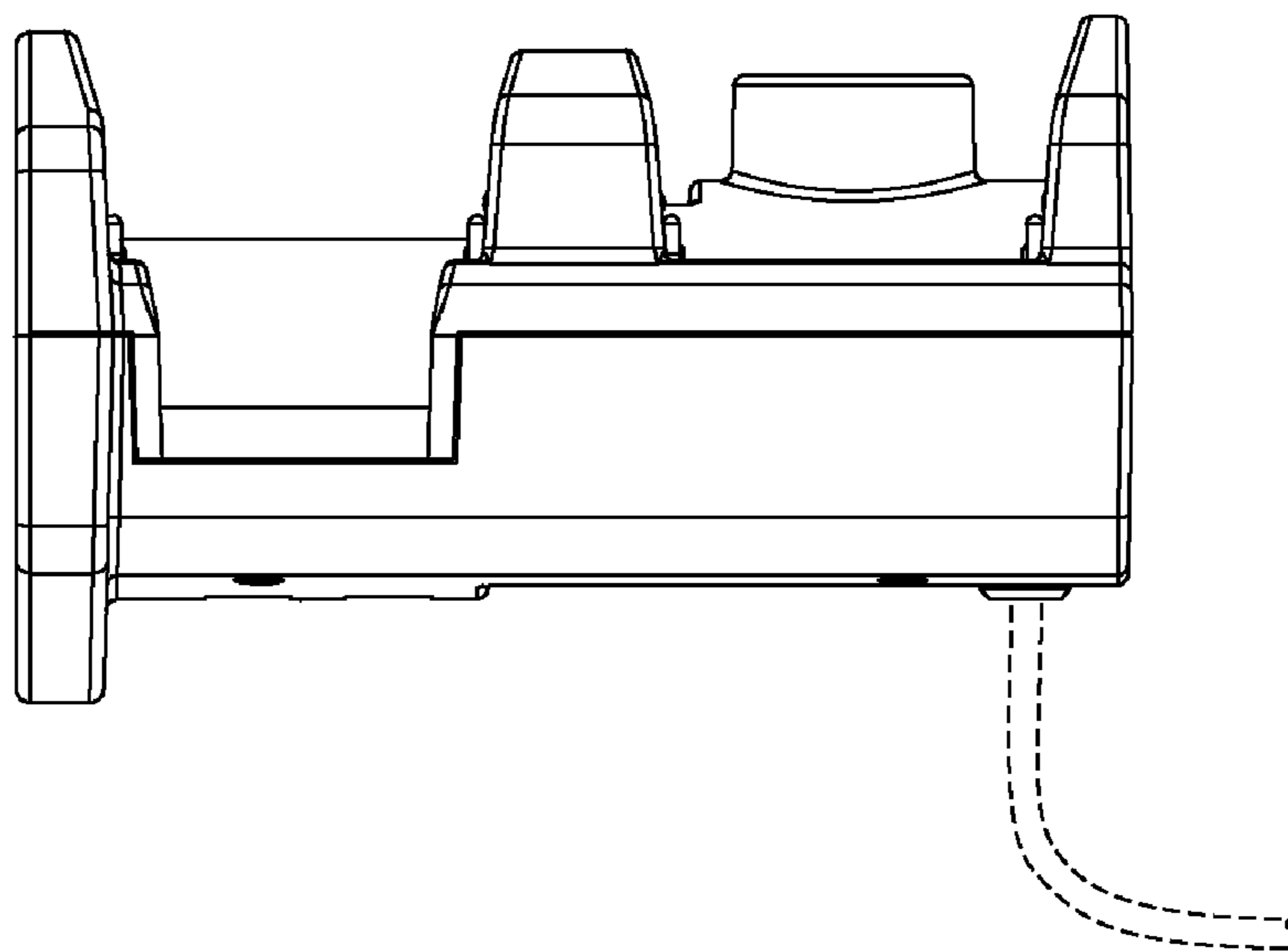


FIG. 4

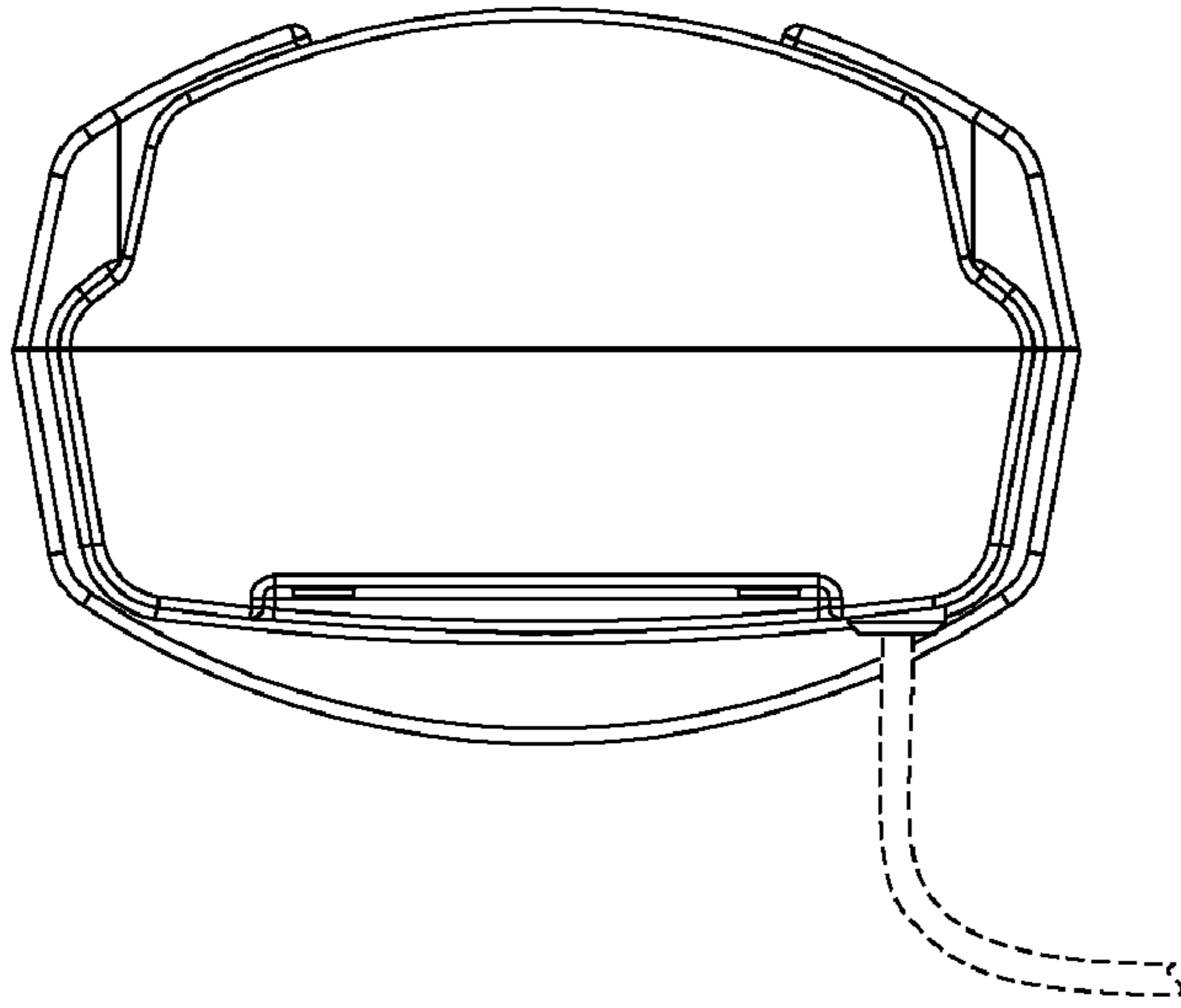


FIG. 5

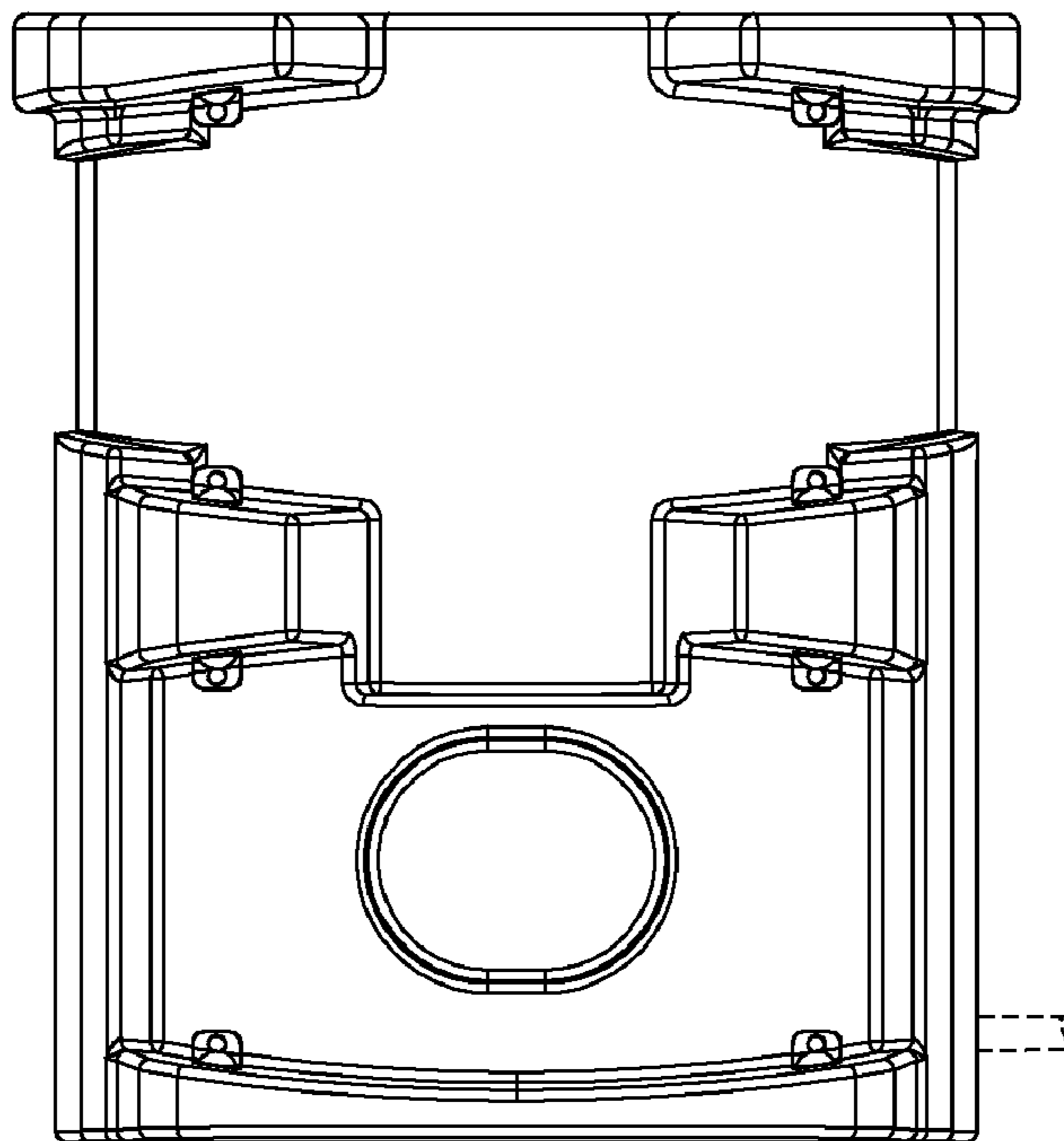


FIG. 6

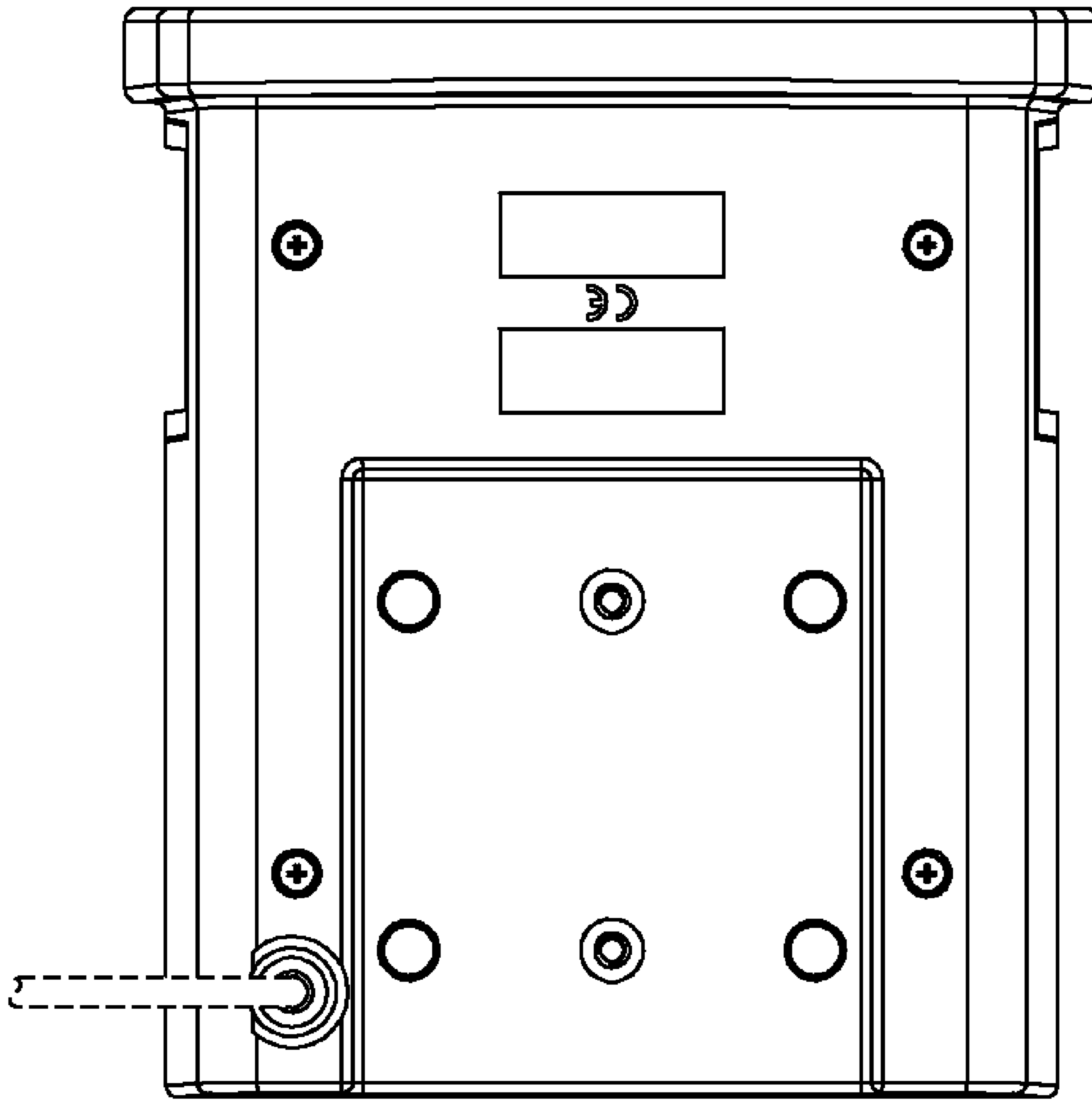


FIG. 7