



US00D603322S

(12) **United States Design Patent**
Nicieja

(10) **Patent No.:** **US D603,322 S**

(45) **Date of Patent:** **** Nov. 3, 2009**

(54) **WINDSHIELD MOUNTING ASSEMBLY FOR
HANDHELD GPS DEVICE**

(75) Inventor: **Robert Nicieja**, Lombard, IL (US)

(73) Assignee: **USA Wireless Solutions**, Wood Dale, IL
(US)

(**) Term: **14 Years**

(21) Appl. No.: **29/337,543**

(22) Filed: **May 26, 2009**

(51) **LOC (9) Cl.** **12-16**

(52) **U.S. Cl.** **D12/415; D14/447; D8/373**

(58) **Field of Classification Search** D12/415;
D8/363, 373, 350, 354; D14/251, 253, 434,
D14/447, 451-452; 296/37.5, 37.12; 224/273,
224/929, 545-546; 248/274.1, 284.1, 205.8,
248/206.2, 160

See application file for complete search history.

(56) **References Cited**

U.S. PATENT DOCUMENTS

D533,055 S	*	12/2006	Brassard	D8/373
D533,174 S	*	12/2006	Richter	D14/251
D545,826 S	*	7/2007	Richter	D14/447
D549,709 S	*	8/2007	Richter	D14/447
D554,042 S	*	10/2007	Richter	D12/415
D554,136 S	*	10/2007	Richter	D14/447
D563,309 S	*	3/2008	Richter	D12/415

D566,530 S		4/2008	Brassard	
D579,854 S	*	11/2008	Mo D12/415
D580,847 S	*	11/2008	Mo D12/415
D581,344 S	*	11/2008	Richter D12/415
D587,188 S	*	2/2009	Mo D12/415
D590,835 S	*	4/2009	Richter D14/447
D593,103 S	*	5/2009	Richter D14/447

* cited by examiner

Primary Examiner—Stacia Cadmus

(74) *Attorney, Agent, or Firm*—Gerald E. Hespos; Anthony J. Casella

(57) **CLAIM**

The ornamental design for a windshield mounting assembly for handheld GPS device, as shown and described.

DESCRIPTION

FIG. 1 is a perspective view of the windshield mounting assembly for handheld GPS device;

FIG. 2 is a front elevational view of the windshield mounting assembly for handheld GPS device shown in FIG. 1;

FIG. 3 is a top plan view thereof;

FIG. 4 is a right side elevational view;

FIG. 5 is left side elevational view;

FIG. 6 is a rear elevational view; and,

FIG. 7 is a bottom plan view.

1 Claim, 7 Drawing Sheets

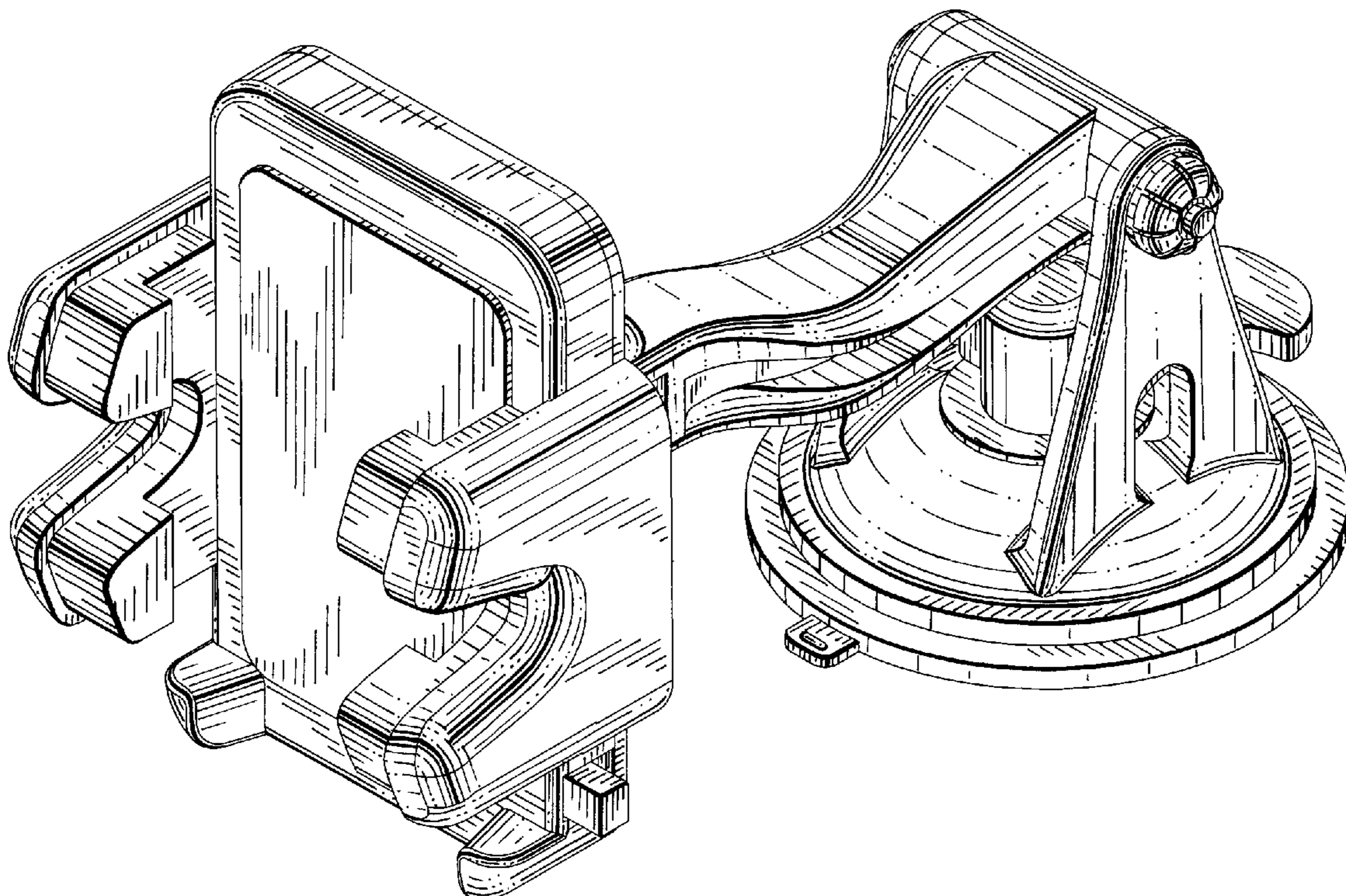
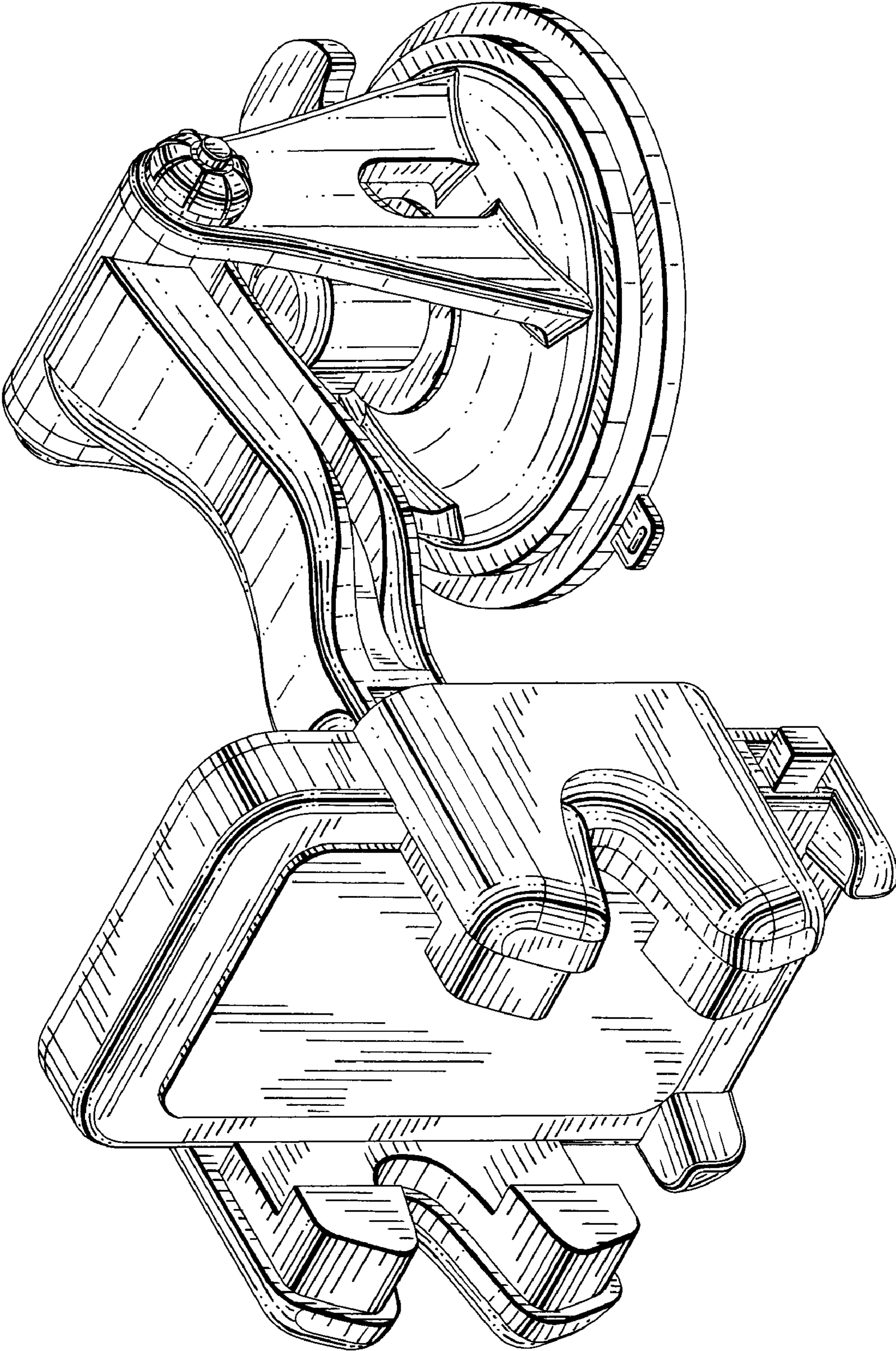


FIG. 1



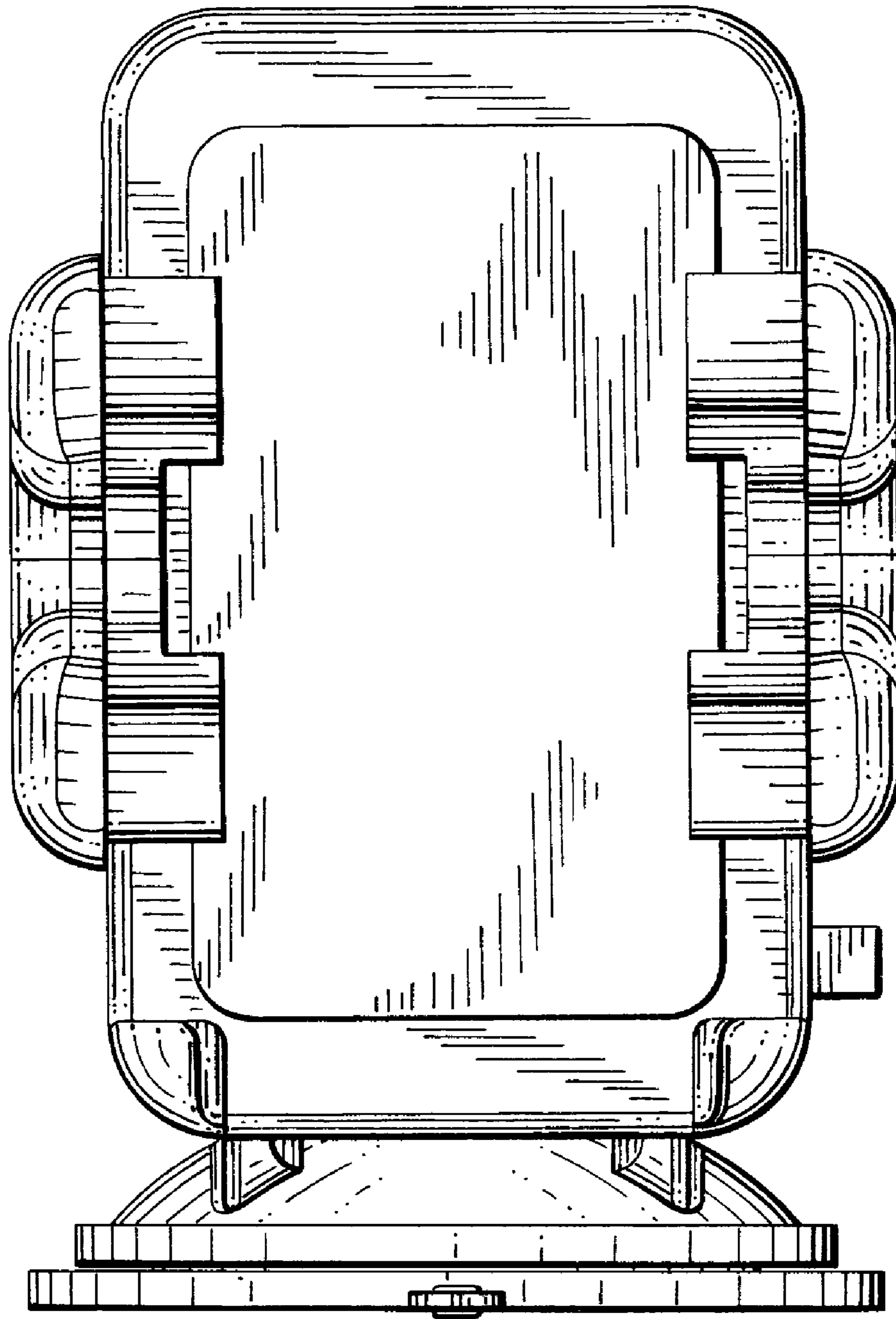


FIG.2

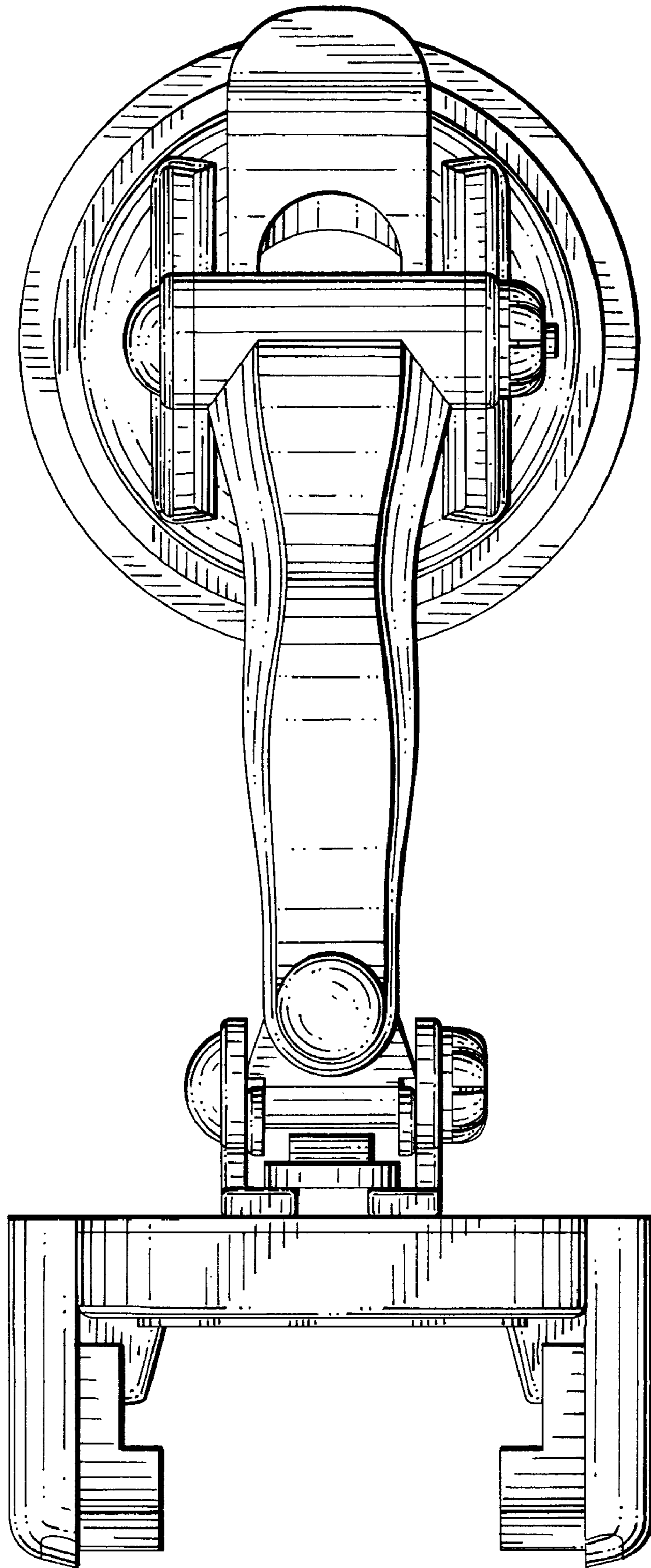
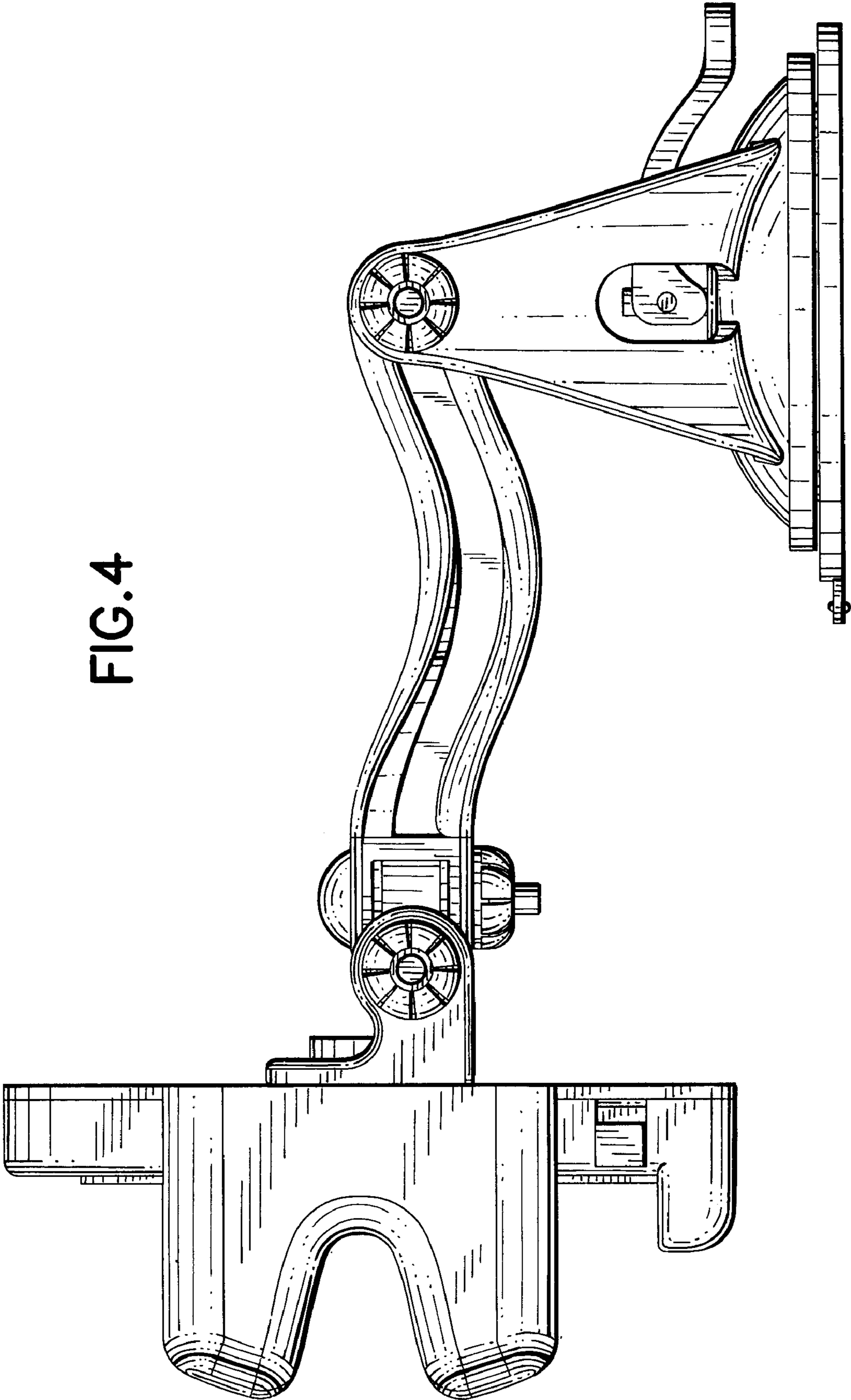


FIG.3

FIG. 4



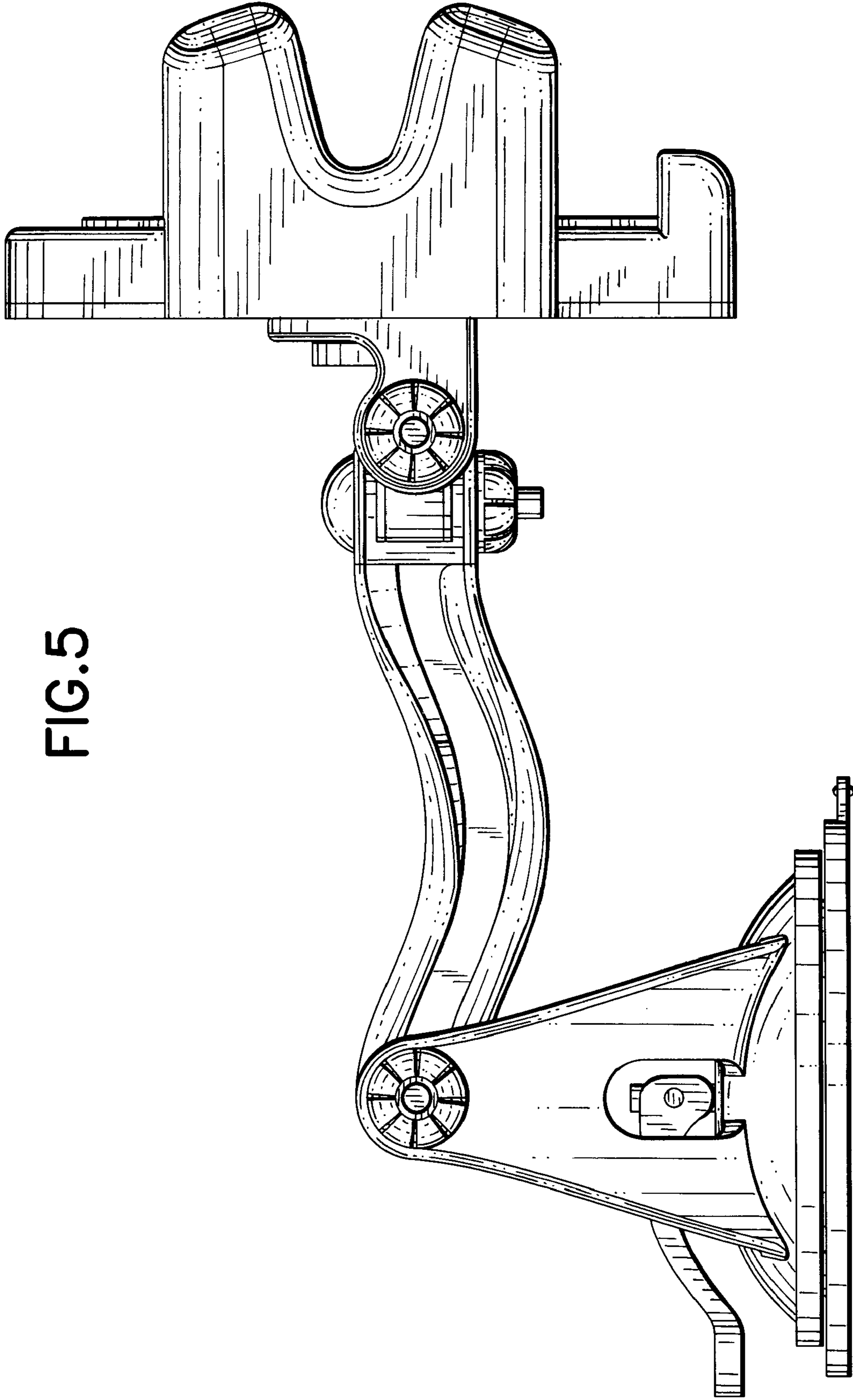


FIG. 5

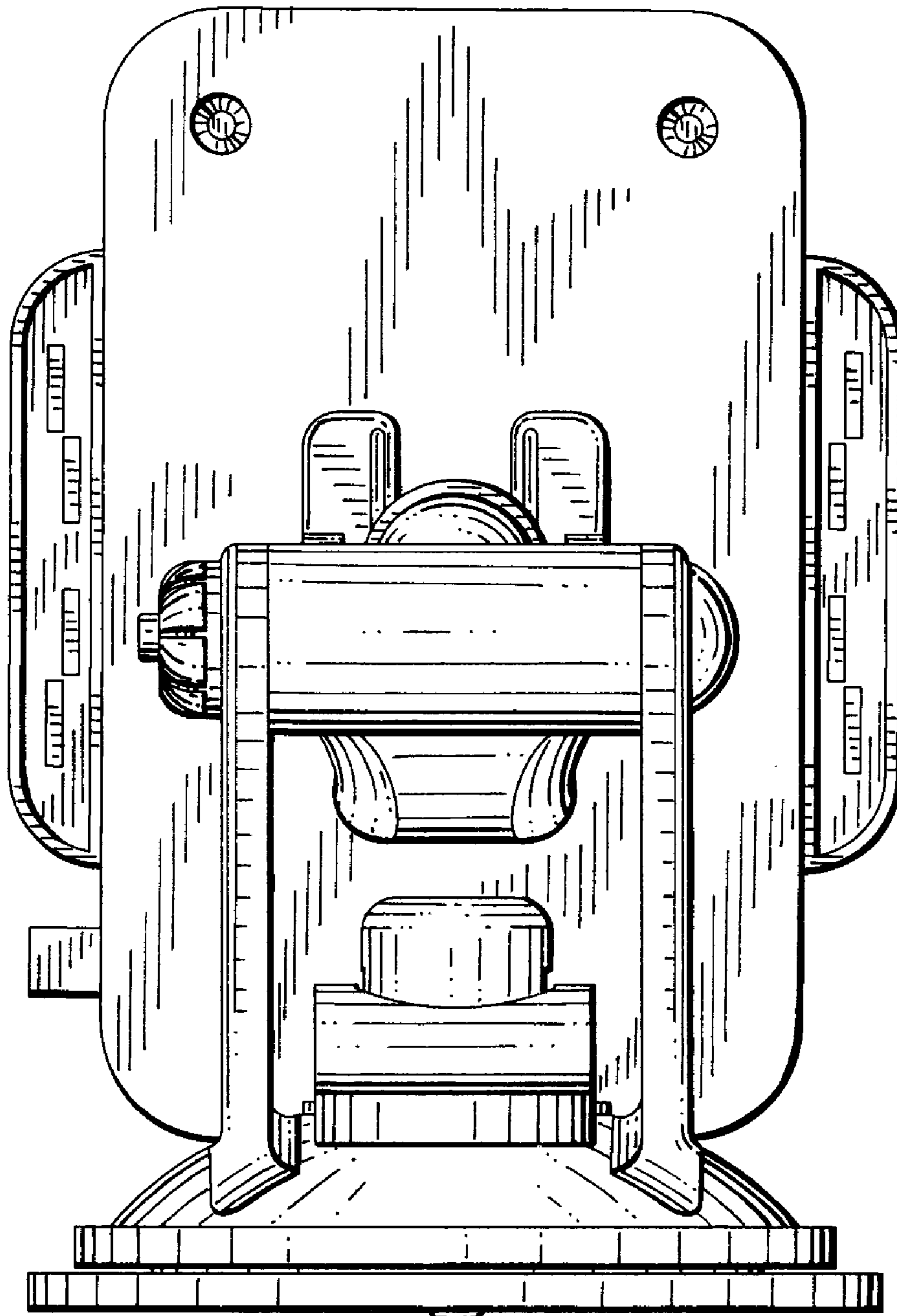


FIG. 6

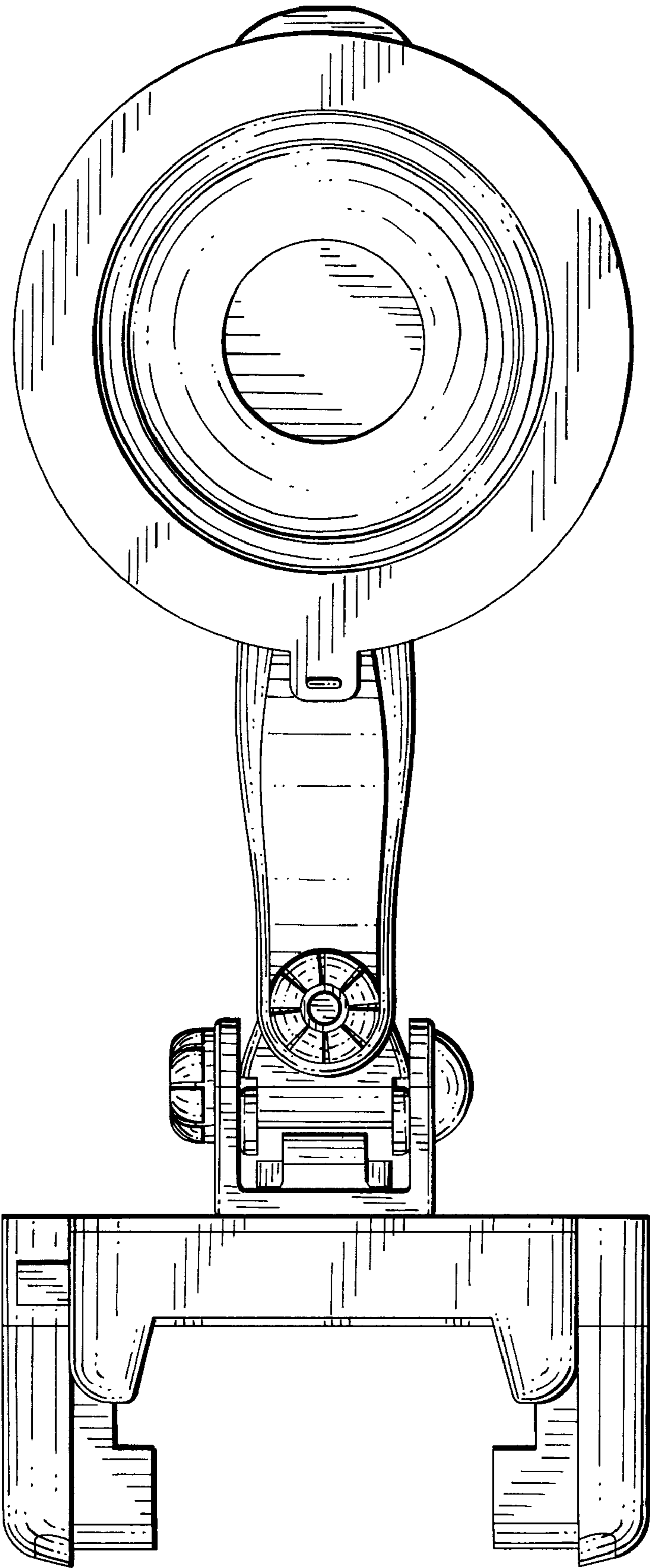


FIG. 7