



US00D603320S

(12) **United States Design Patent**
Bauer et al.

(10) **Patent No.:** **US D603,320 S**

(45) **Date of Patent:** **** Nov. 3, 2009**

(54) **CONVERTIBLE TOP COVER FOR A VEHICLE**

(75) Inventors: **Karlheinz Bauer**, Esslingen (DE);
Juergen Bollmann, Schoenberg (DE);
Peter Pfeiffer, Boeblingen (DE);
Gorden Wagener, Stuttgart (DE)

(73) Assignee: **Daimler AG**, Stuttgart (DE)

(**) Term: **14 Years**

(21) Appl. No.: **29/287,941**

(22) Filed: **Oct. 3, 2007**

(30) **Foreign Application Priority Data**

Apr. 4, 2007 (DE) 40701841

(51) **LOC (9) Cl.** **12-16**

(52) **U.S. Cl.** **D12/401**

(58) **Field of Classification Search** D12/401,
D12/406; 296/107.7, 136.06; 318/466
See application file for complete search history.

(56) **References Cited**

U.S. PATENT DOCUMENTS

3,170,726 A * 2/1965 Lystad 296/136.06
4,971,385 A * 11/1990 Lazarevich 296/136.06
D391,547 S * 3/1998 Lehmann et al. D12/401
6,007,143 A * 12/1999 Lehmann et al. 296/180.1
6,619,721 B1 * 9/2003 Langguth et al. 296/136.06
D487,719 S * 3/2004 Powers D12/401

2001/0009356 A1 * 7/2001 Porter et al. 318/466
2006/0038320 A1 * 2/2006 Straub et al. 264/265
2007/0182199 A1 * 8/2007 Just 296/107.01
2007/0284911 A1 * 12/2007 Herz et al. 296/107.07

* cited by examiner

Primary Examiner—Caron Veynar

Assistant Examiner—George D Kirschbaum

(74) *Attorney, Agent, or Firm*—Crowell & Moring LLP

(57) **CLAIM**

The ornamental design for a convertible top cover for a vehicle, as shown and described.

DESCRIPTION

This application is related to the following co-pending application, filed on even date herewith: application Ser. No. 29/287,936, entitled "Vehicle, Toy, and/or Other Replicas".

FIG. 1 is a right, rear perspective view of a convertible top cover for a vehicle according to our novel design, the left, rear perspective view being mirror symmetrical;

FIG. 2 is a top view thereof;

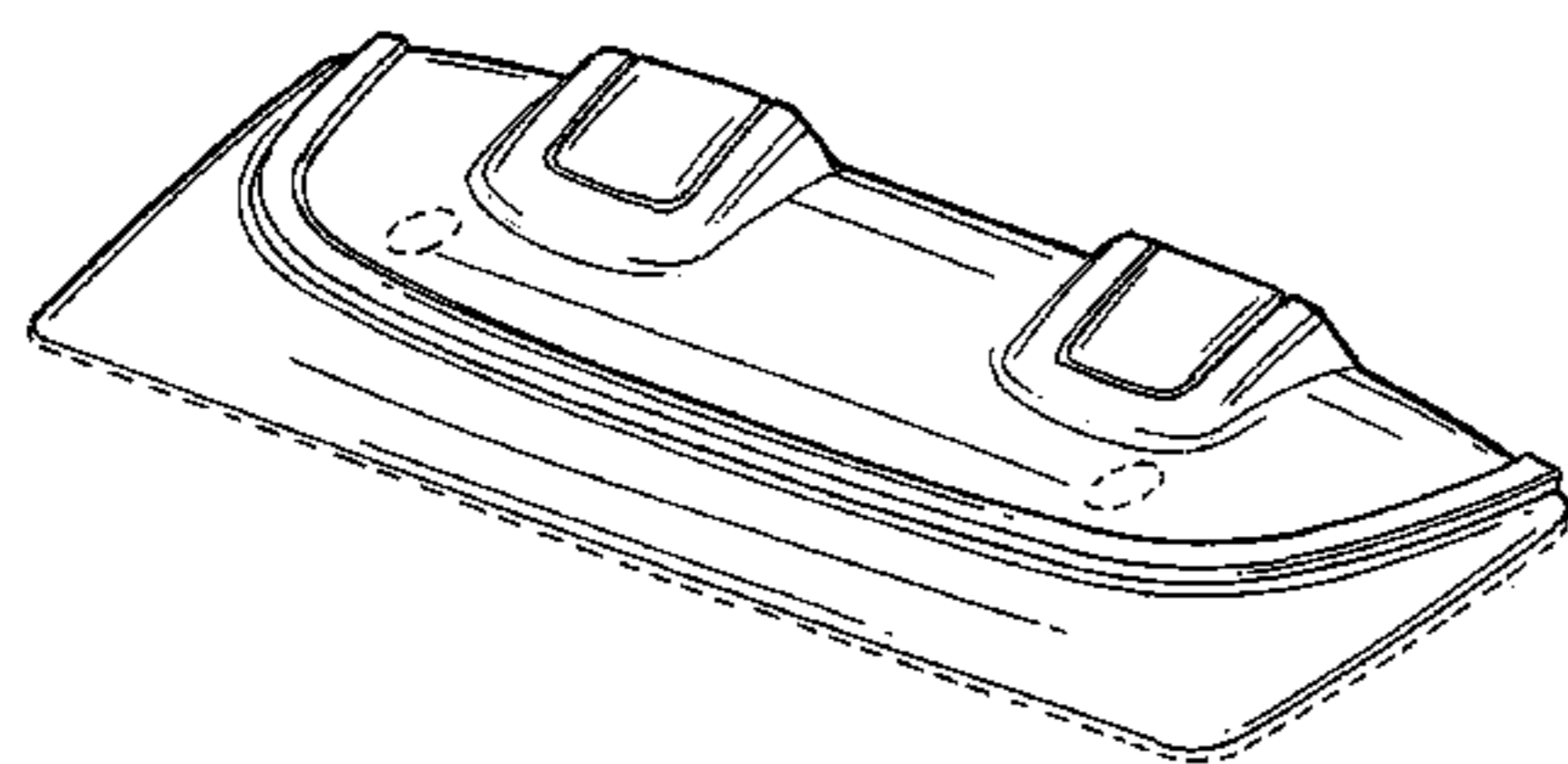
FIG. 3 is a rear view thereof;

FIG. 4 is a front view thereof; and,

FIG. 5 is a right side view thereof, the left side view being mirror symmetrical.

In the drawings, the broken line showing of circles on the top, and of the bottom edge of the design depicts environmental subject matter and forms no part of the claim.

1 Claim, 2 Drawing Sheets



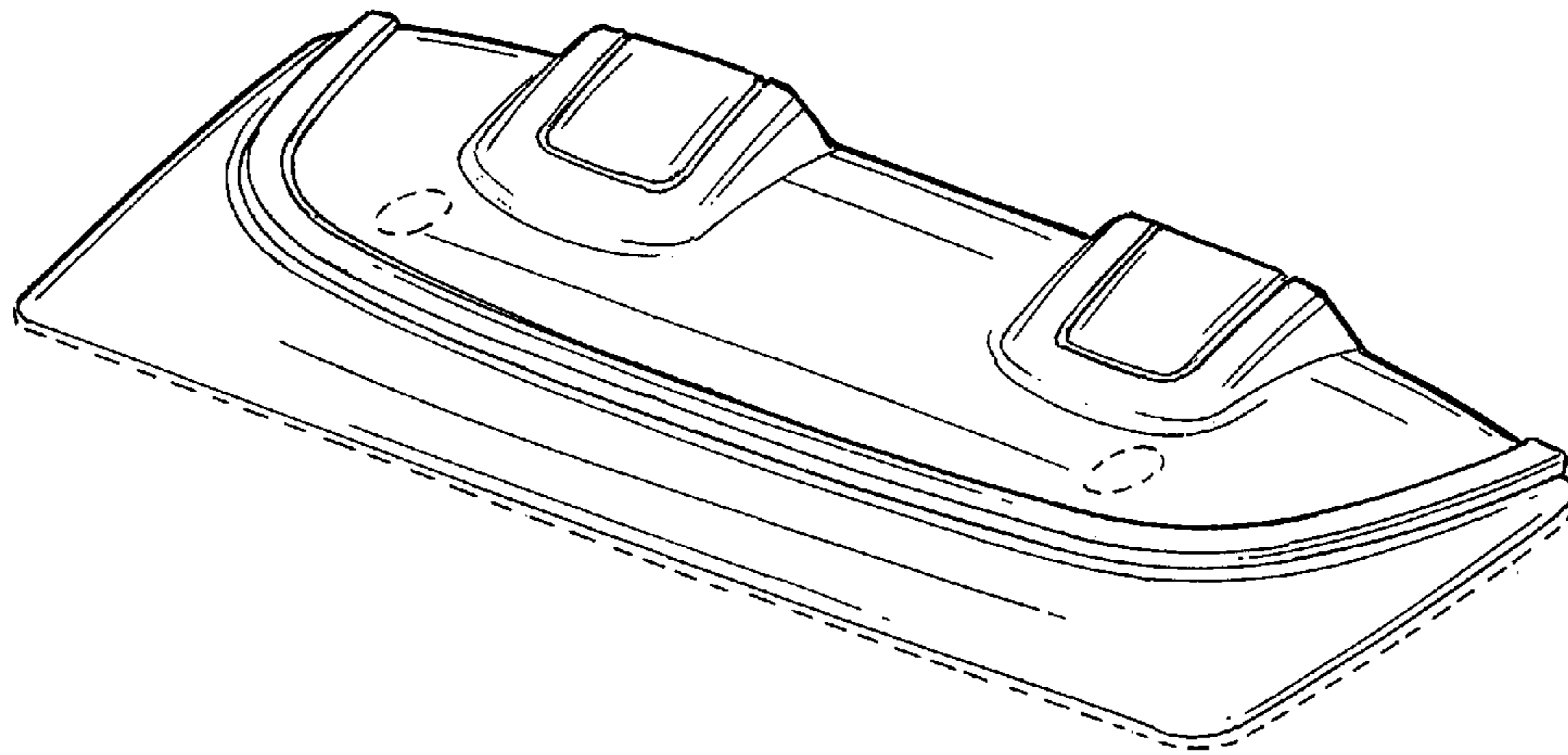


FIG. 1

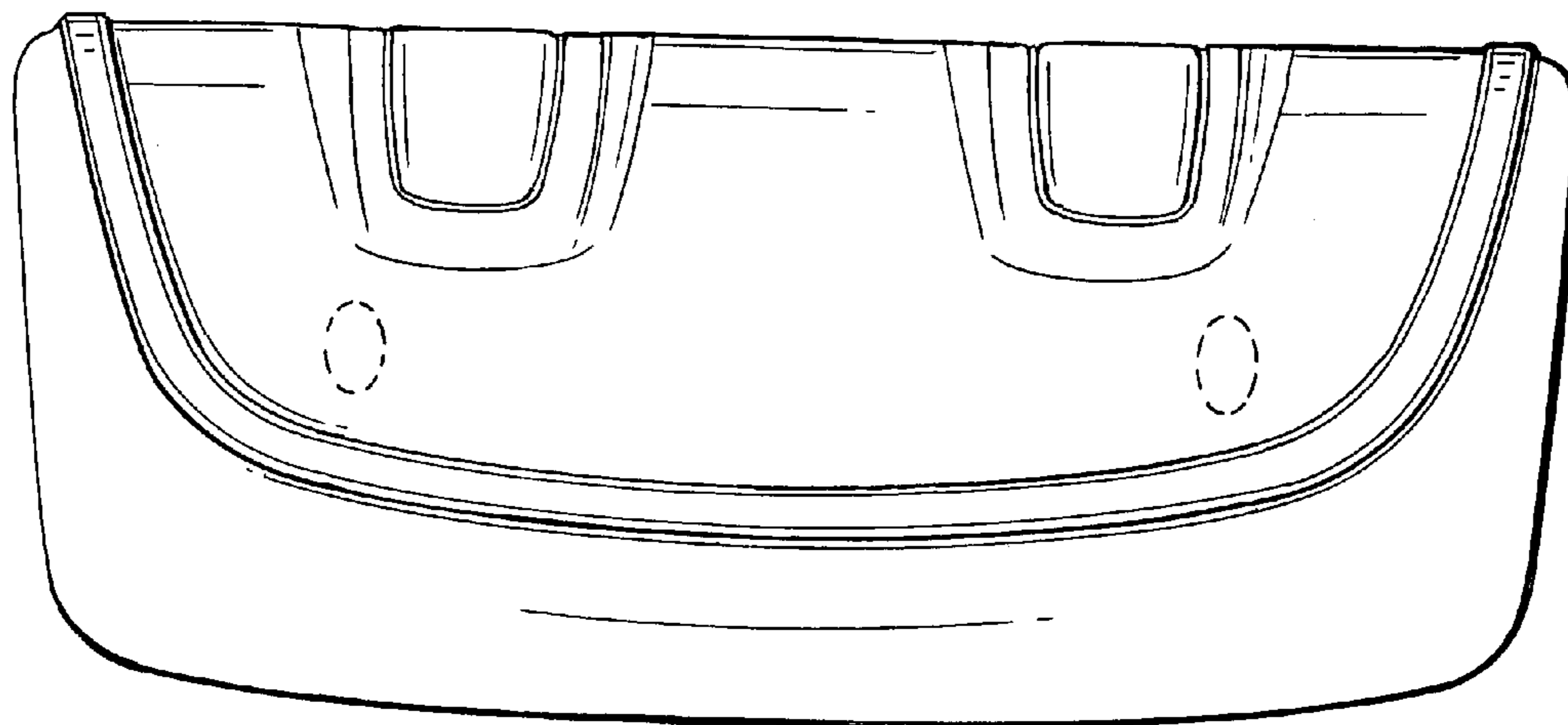


FIG. 2

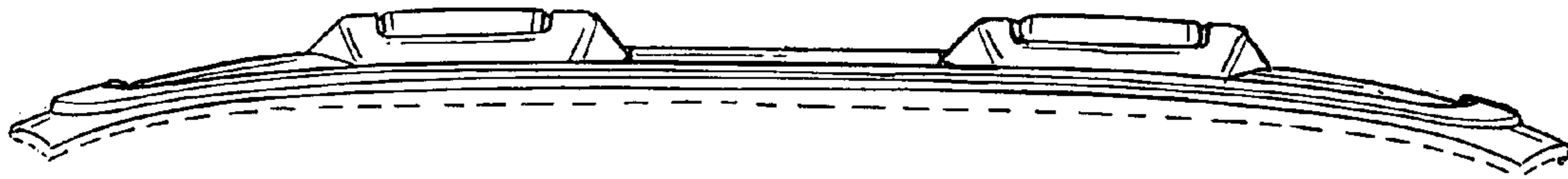


FIG. 3

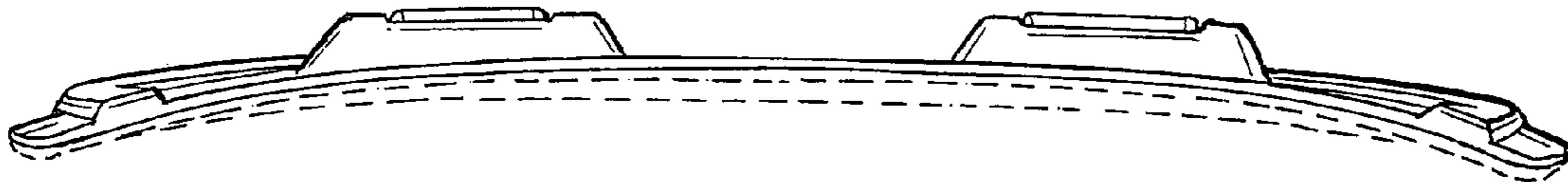


FIG. 4



FIG. 5